



US00D756442S

(12) **United States Design Patent**
Bourque et al.

(10) **Patent No.:** **US D756,442 S**
(45) **Date of Patent:** **** May 17, 2016**

(54) **ELECTRONIC MAGNIFIER FOR LOW VISION USERS**

(71) Applicant: **TECHNOLOGIES HUMANWARE INC.**, Drummondville (CA)

(72) Inventors: **Georges Bourque**, Montréal (CA); **Luc Blanchette**, Montréal (CA); **Éric Lapointe**, Montréal (CA); **Steve Jolin**, Montréal (CA); **David Gagné**, Montréal (CA); **Stéphane Béliveau**, Longueuil (CA)

(73) Assignee: **Technologies Humanware Inc.** (CA)

(**) Term: **14 Years**

(21) Appl. No.: **29/488,424**

(22) Filed: **Apr. 18, 2014**

(51) **LOC (10) Cl.** **16-02**

(52) **U.S. Cl.**
USPC **D16/225**; D16/135

(58) **Field of Classification Search**
USPC D16/221, 225, 232–233, 208, 219, 130,
D16/134–135; D14/423; 348/63
CPC G02B 17/026; G02B 27/026; H04N
1/00307; H04N 1/0044; H04N 1/00562;
H04N 1/19594; H04N 2201/0089; H04N
5/23296

See application file for complete search history.

(56) **References Cited**

U.S. PATENT DOCUMENTS

D302,683 S * 8/1989 Iwasaki D14/423
D305,228 S * 12/1989 Allgeier D14/423
D392,303 S * 3/1998 Hern D16/225
D559,298 S * 1/2008 Sukenari D16/135
7,701,481 B2 * 4/2010 Mizukami H04N 5/23296
345/62

D631,903 S * 2/2011 Sugiyama D16/135
7,929,013 B2 * 4/2011 Goldenberg G02B 27/026
348/63

D664,584 S 7/2012 Turpault et al.
8,854,441 B2 * 10/2014 Goldenberg G02B 27/026
348/63

(Continued)

FOREIGN PATENT DOCUMENTS

JP D1432059 * 4/2011

OTHER PUBLICATIONS

Zoomax Technology Inc., Desire HD 23" Desktop Video Magnifier,
[http://zoomax.co/low-vision-products/23"-desktop-video-magnifier-DesireHD.html](http://zoomax.co/low-vision-products/23); dated Sep. 24, 2013.

(Continued)

Primary Examiner — Wan Laymon

(74) *Attorney, Agent, or Firm* — Hovey Williams LLP

(57) **CLAIM**

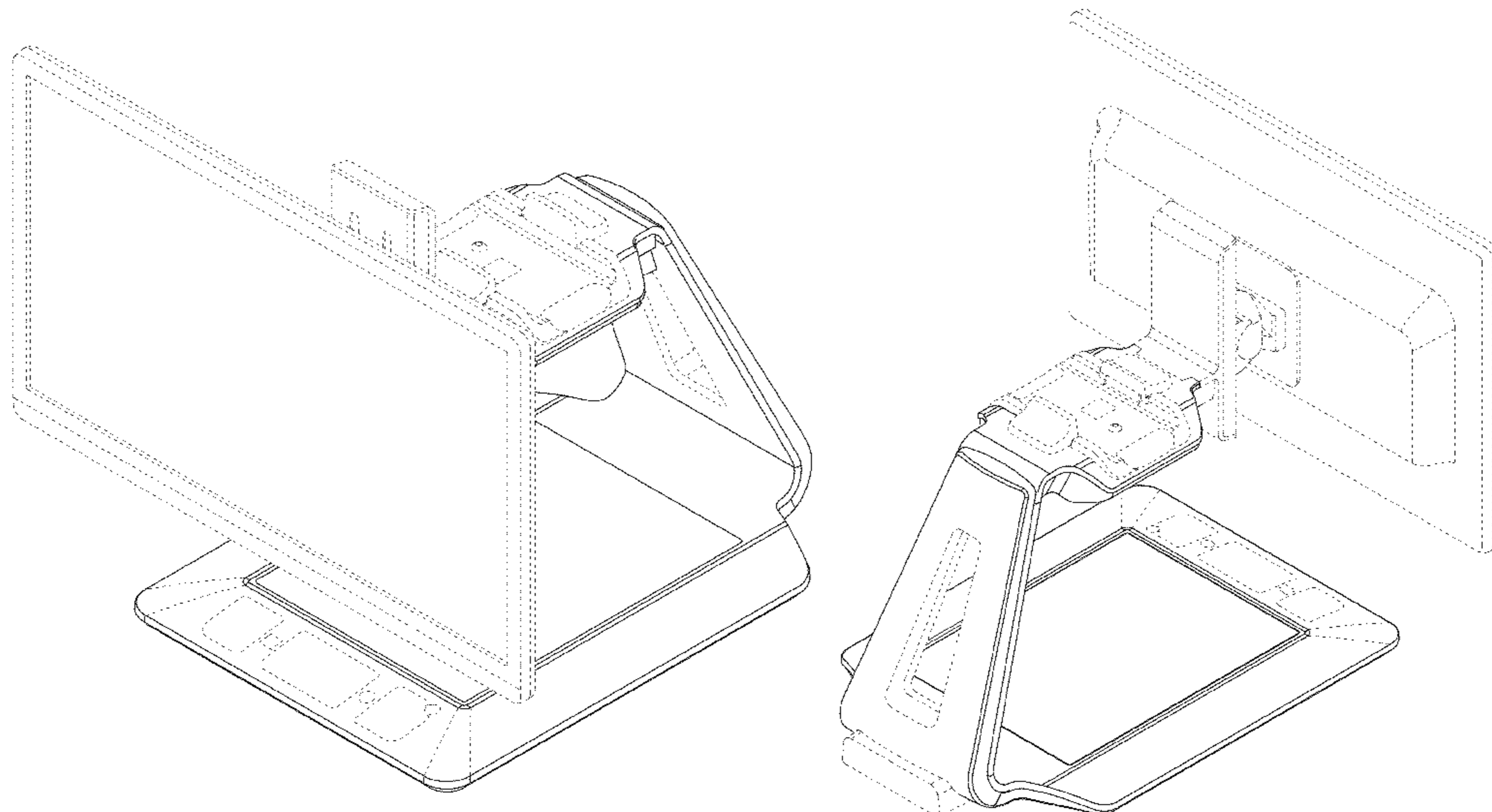
The ornamental design for an electronic magnifier for low vision users, as shown and described.

DESCRIPTION

FIG. 1 is a front perspective view of an electronic magnifier for low vision users showing our new design; FIG. 2 is a rear perspective view thereof; FIG. 3 is a front elevation view thereof; FIG. 4 is a rear elevation view thereof; FIG. 5 is a right side elevation view thereof; FIG. 6 is a left side elevation view thereof; FIG. 7 is a top plan view thereof; and, FIG. 8 is a bottom plan view thereof.

The broken lines shown in the figures are included for the purpose of illustrating portions of the electronic magnifier for low vision users that form no part of the claimed design.

1 Claim, 8 Drawing Sheets



(56)

References Cited

U.S. PATENT DOCUMENTS

| | | | | | |
|--------------|------|---------|------------|-------|---------------------------|
| 8,854,442 | B2 * | 10/2014 | Rodriguez | | G02B 27/026 348/63 |
| 2014/0176690 | A1 * | 6/2014 | Hamel | | G02B 27/026 348/63 |
| 2014/0184763 | A1 * | 7/2014 | Goldenberg | | G02B 27/026 348/63 |
| 2014/0225997 | A1 * | 8/2014 | Auger | | G06T 3/40 348/63 |
| 2014/0375783 | A1 * | 12/2014 | Goldenberg | | G02B 27/026 348/63 |
| 2015/0092031 | A1 * | 4/2015 | Rodriguez | | G02B 27/026 348/63 |
| 2015/0252936 | A1 * | 9/2015 | Krantz | | H04N 1/19594 248/176.1 |

OTHER PUBLICATIONS

Baum Retec Inc., Visio HD, <http://www.baumusa.com/low-vision-solutions/visio-hd-2.html>; dated Sep. 24, 2013.

LVI Low Vision International, MagniLink Vision, http://www.lvi.se/en/magnilink_vision; dated Sep. 24, 2013.

Reinecker Vision, Videomatic VEO, <http://www.reineckervision.com/products/videomatic-veo>; dated Sep. 24, 2013.

Reinecker Vision, Mezzo, <http://reineckervision.com/products/mezzo>; dated Sep. 24, 2013.

Tagarno AS, Jazz up you life with Jazz HD, <http://archive-com.com/page/2666289/213-08-20/http://www.tagarno.com/frontpage/products/low-vision/home/product-pages/products/at-home/jazz-hd.aspx>; dated Sep. 24, 2013.

* cited by examiner

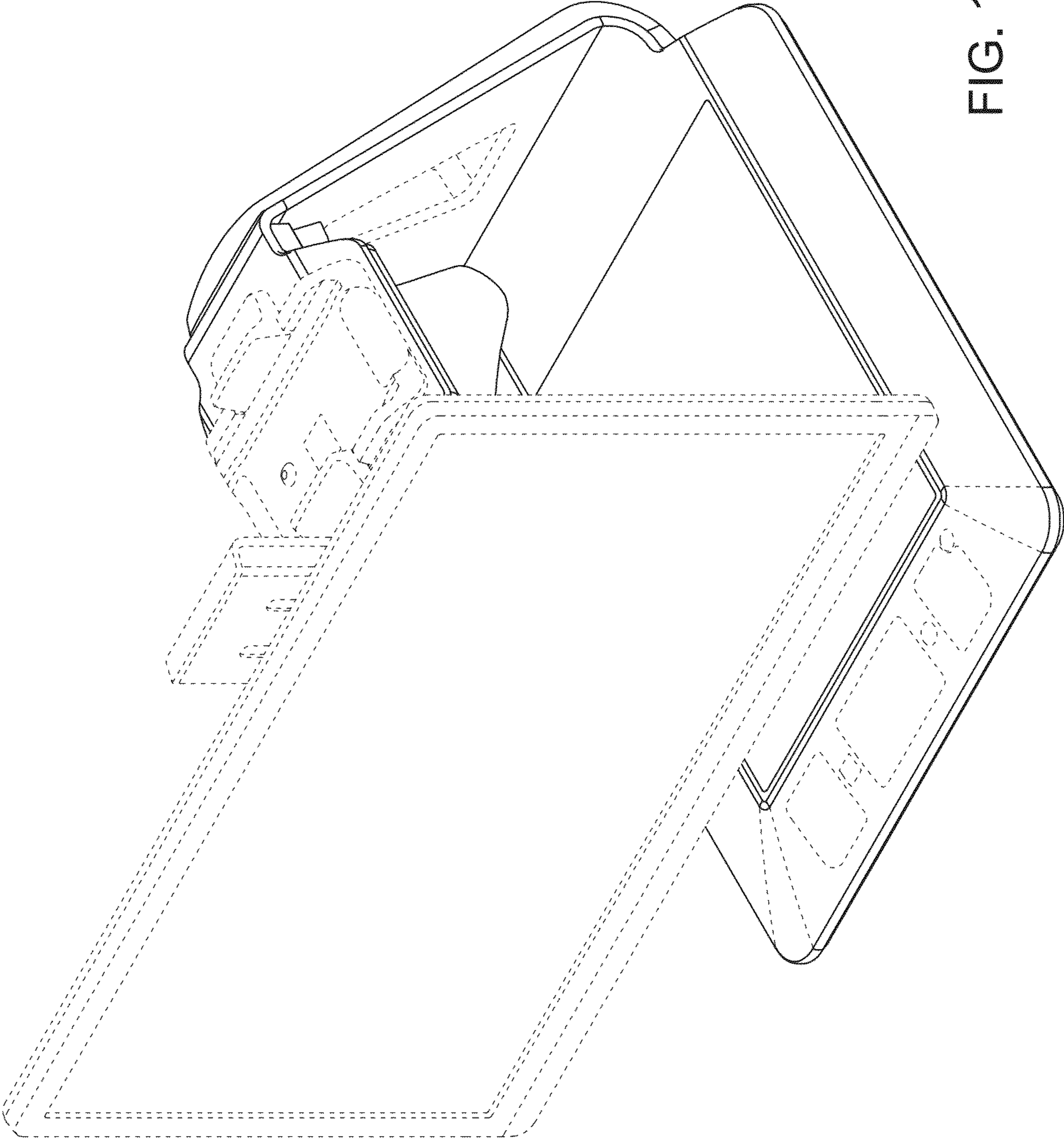


FIG. 1

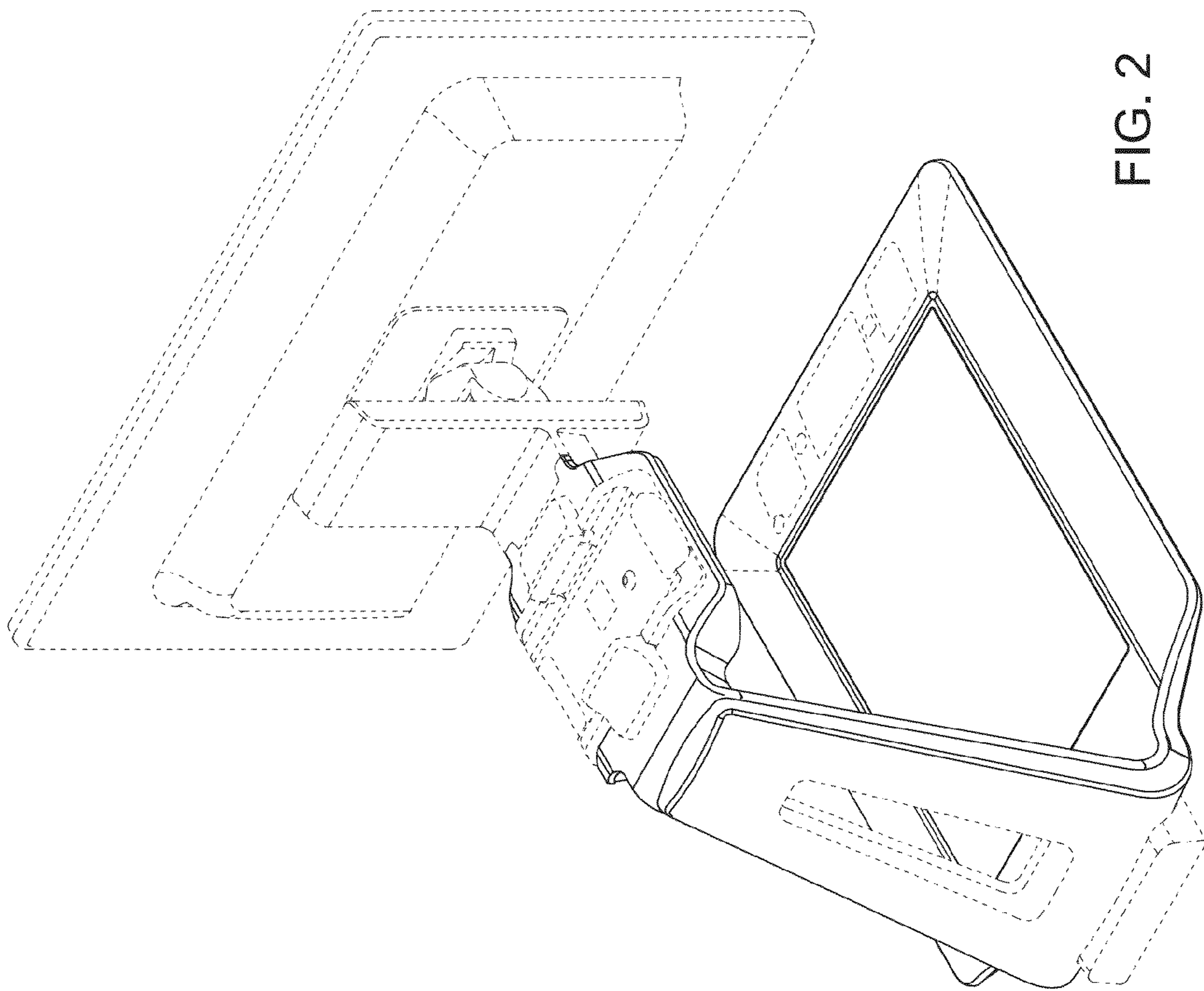


FIG. 2

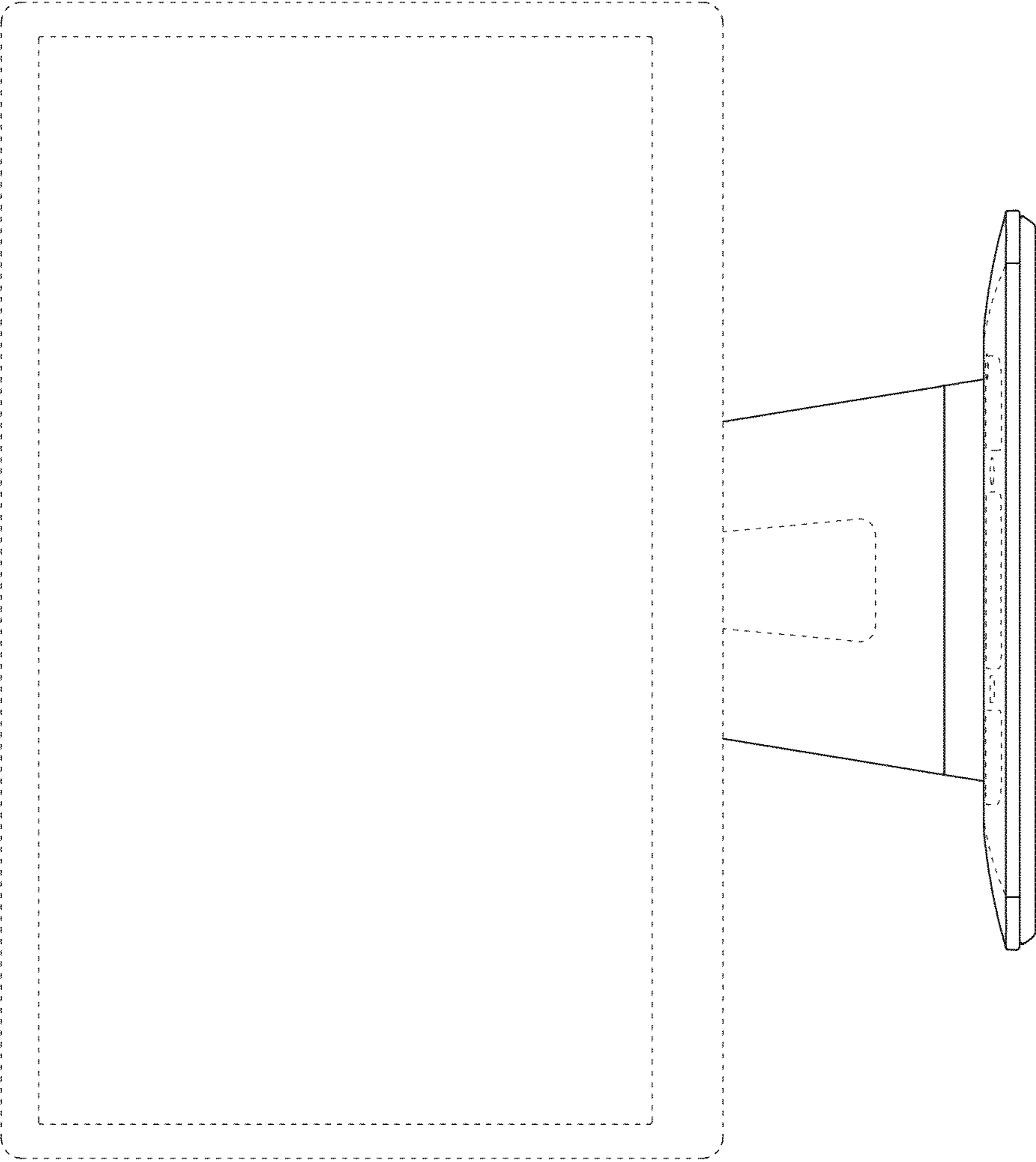


FIG. 3

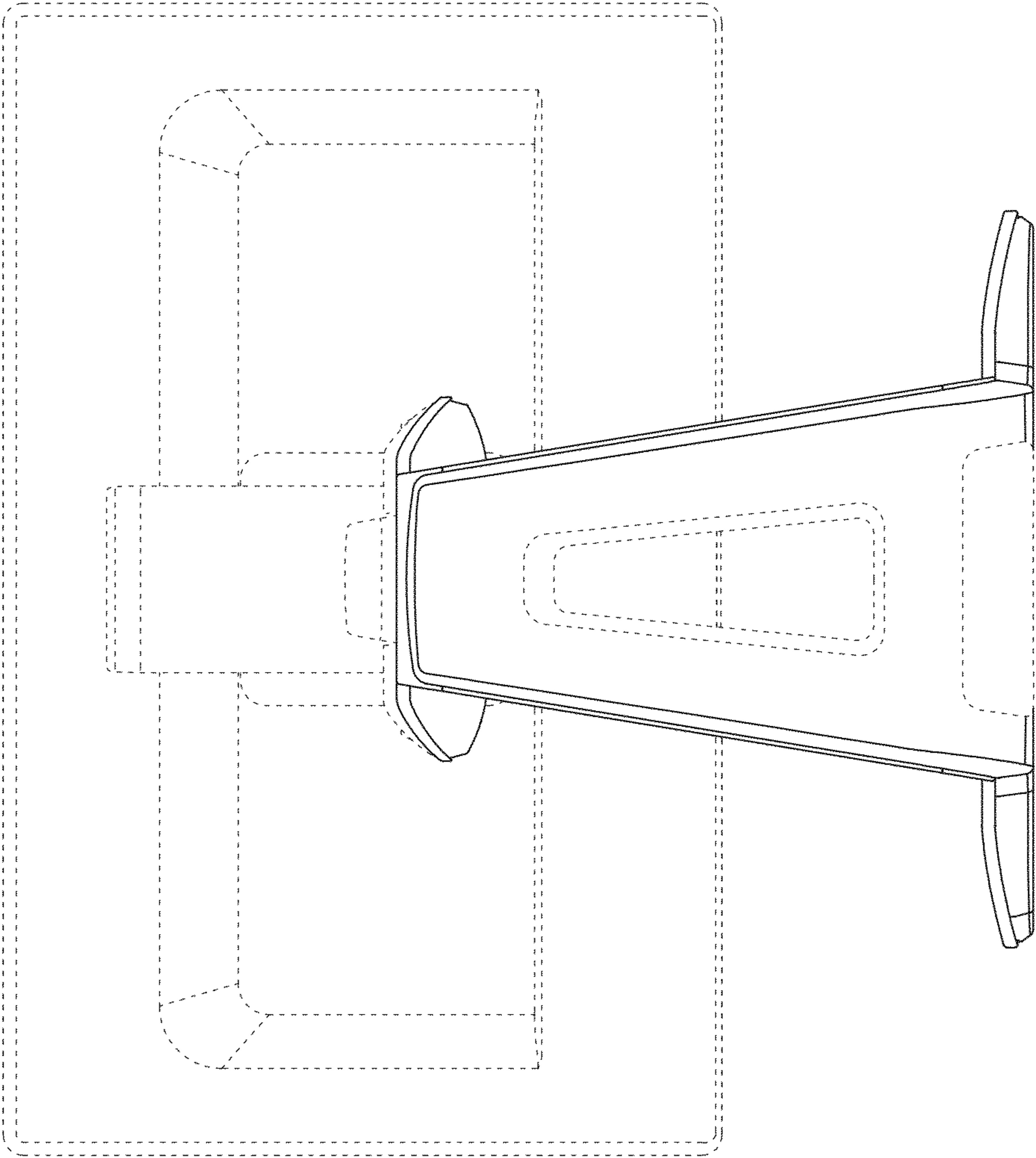


FIG. 4

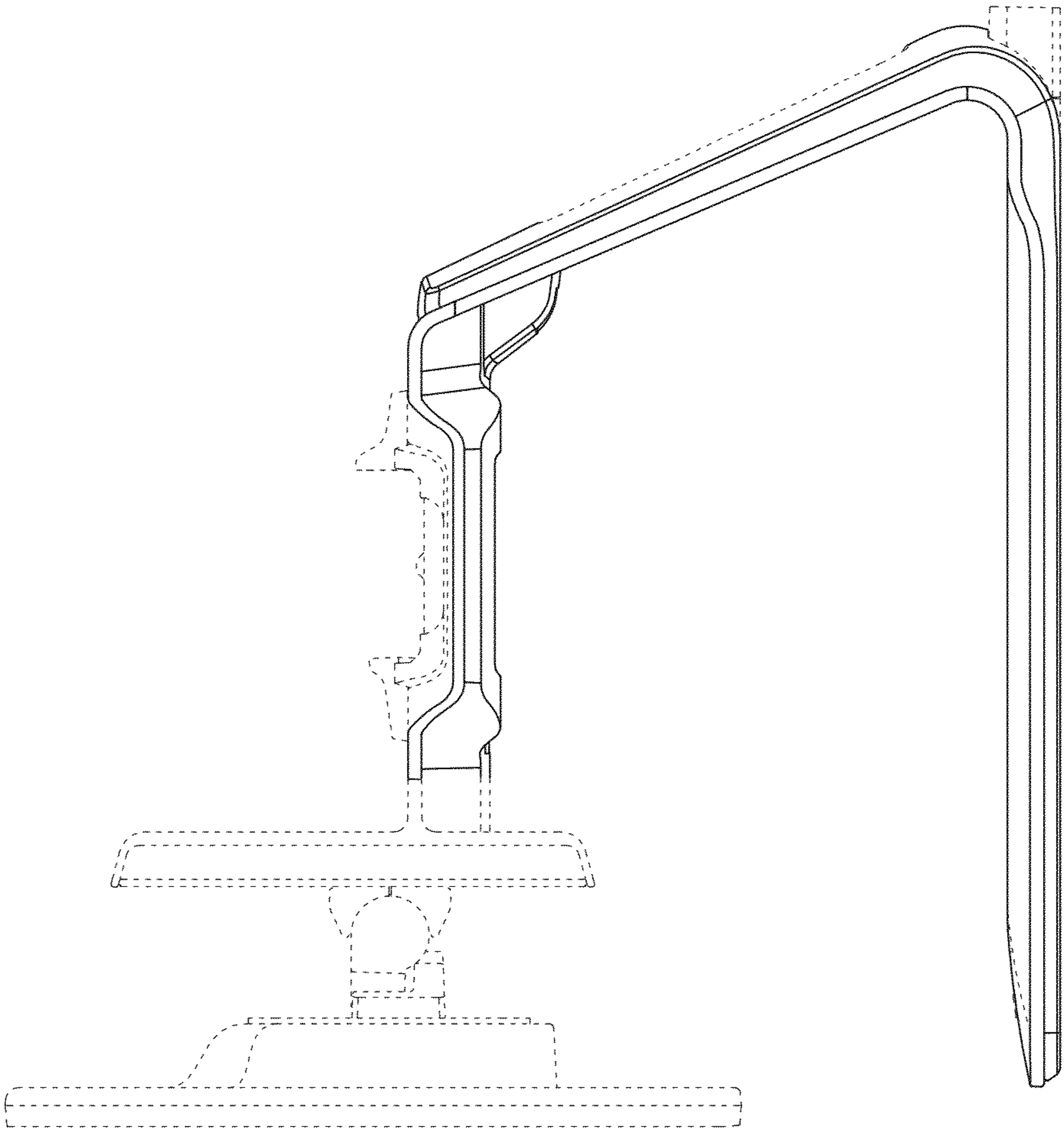


FIG. 5

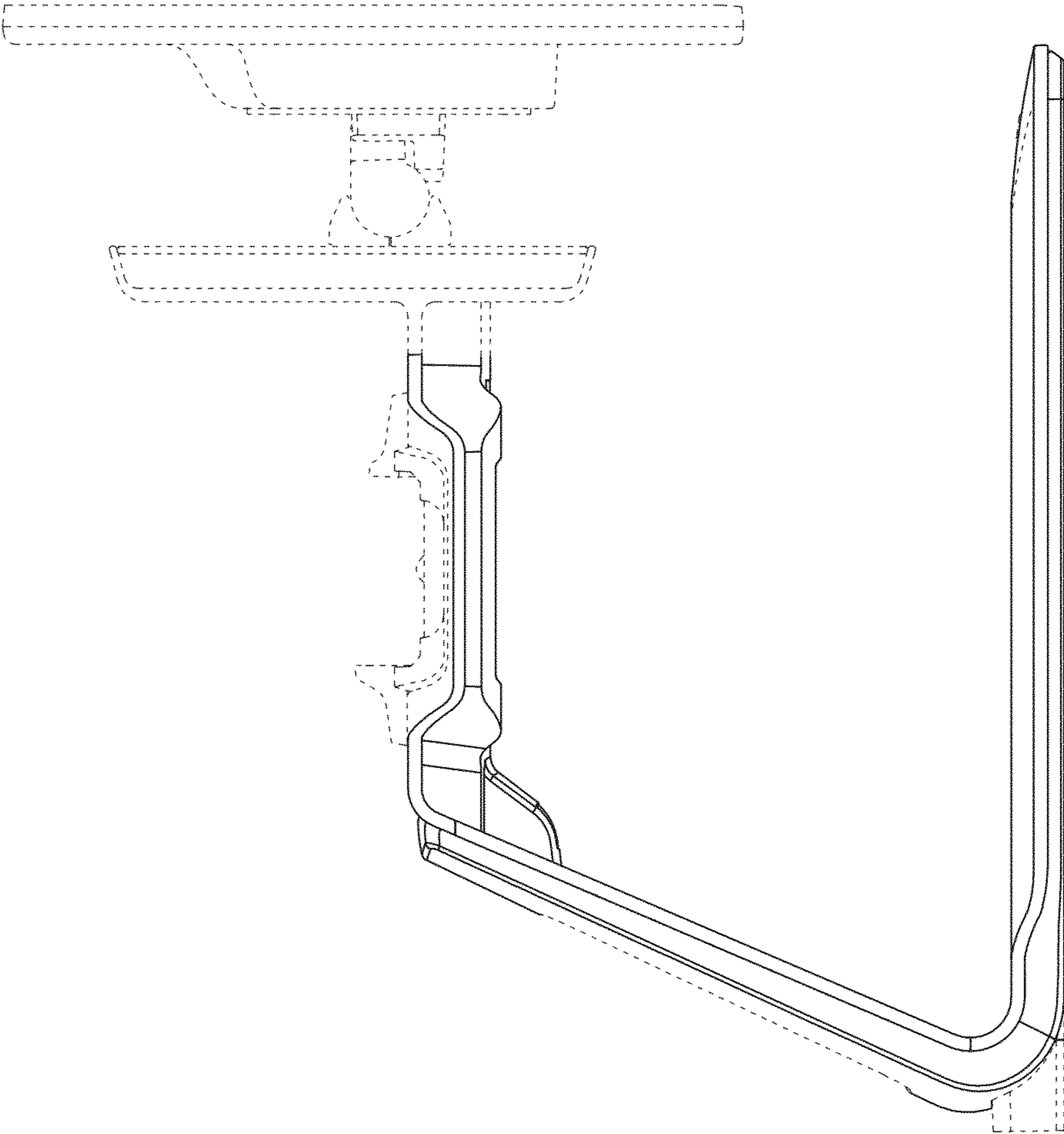


FIG. 6

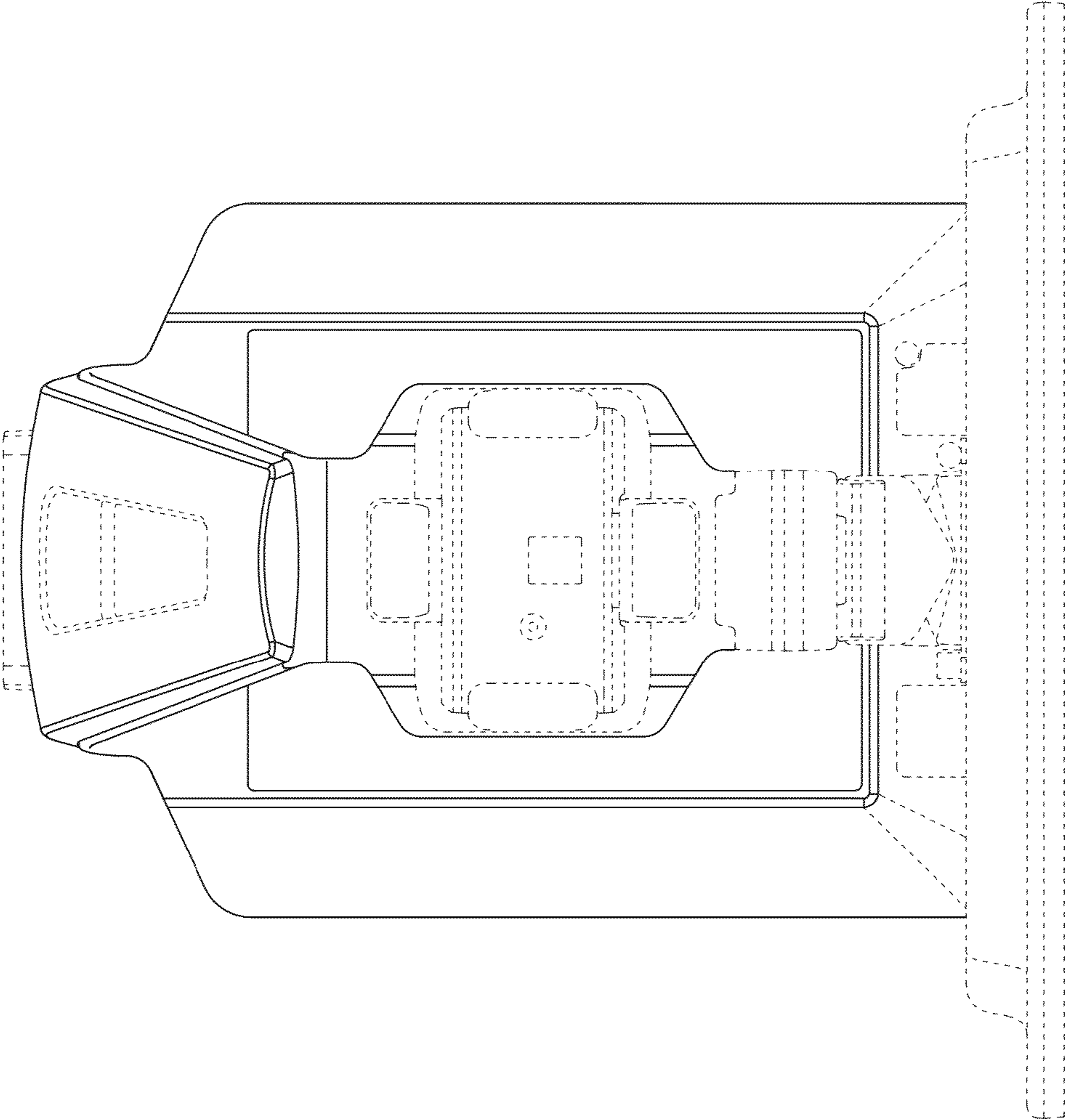


FIG. 7

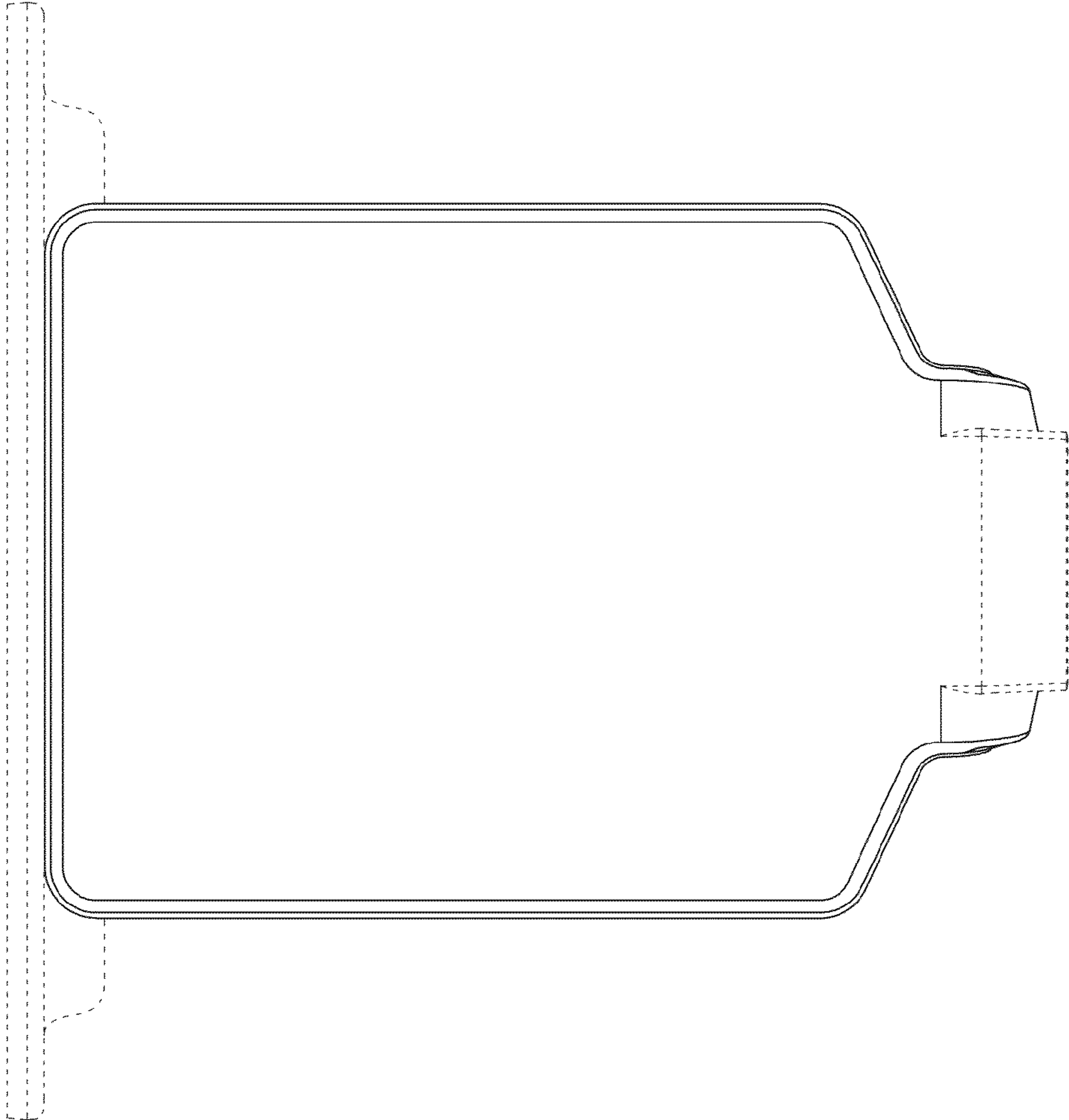


FIG. 8