



US00D756441S

(12) **United States Design Patent**  
**Kobayashi et al.**

(10) **Patent No.:** **US D756,441 S**

(45) **Date of Patent:** **\*\* May 17, 2016**

(54) **CAMERA LENS**

(71) Applicant: **Nikon Corporation**, Tokyo (JP)

(72) Inventors: **Tatsuya Kobayashi**, Tokyo (JP);  
**Chikara Fujita**, Tokyo (JP); **Tatsuya Uemachi**, Kanagawa Pref. (JP)

(73) Assignee: **Nikon Corporation**, Tokyo (JP)

(\*\*) Term: **14 Years**

(21) Appl. No.: **29/467,770**

(22) Filed: **Sep. 23, 2013**

(30) **Foreign Application Priority Data**

Mar. 25, 2013 (JP) ..... 2013-006505  
Mar. 25, 2013 (JP) ..... 2013-006506

(51) **LOC (10) Cl.** ..... **16-05**

(52) **U.S. Cl.**  
USPC ..... **D16/219**; D16/134

(58) **Field of Classification Search**  
USPC ..... D16/134, 136, 200, 218, 219; 348/373,  
348/374; 359/611, 826-828; 396/529-534  
CPC ..... G02B 7/00; G02B 7/026; G02B 23/16;  
G03B 1/00; G03B 3/06; G03B 3/08; G03B  
13/18; G03B 5/00; G03B 7/00; G03B 17/02  
See application file for complete search history.

(56) **References Cited**

**U.S. PATENT DOCUMENTS**

1,564,987 A \* 12/1925 Turner ..... 359/611  
4,740,058 A \* 4/1988 Hori et al. .... 359/827  
4,909,617 A \* 3/1990 Boyd ..... 396/534  
5,218,484 A \* 6/1993 Terai ..... 359/827  
6,580,571 B2 \* 6/2003 Sasaki et al. .... 359/823

D684,208 S \* 6/2013 Lee ..... D16/219  
8,454,250 B2 \* 6/2013 Yamamoto ..... 396/531  
D697,542 S \* 1/2014 Kim ..... D16/219

\* cited by examiner

*Primary Examiner* — Adir Aronovich  
(74) *Attorney, Agent, or Firm* — Wolf, Greenfield & Sacks, P.C.

(57) **CLAIM**  
The ornamental design for a camera lens, as shown and described.

**DESCRIPTION**

FIG. 1 is a front perspective view of the first embodiment of a camera lens showing our new design; FIG. 2 is a rear perspective view thereof; FIG. 3 is a rear elevational view thereof; FIG. 4 is a top plan view thereof, the undisclosed bottom plan view being a mirror image of FIG. 4; FIG. 5 is a right side elevational view thereof, the undisclosed left side view being a mirror image of FIG. 5; FIG. 6 is a cross-sectional view of the rear portion of the article taken along line 6-6 in FIG. 4 with the internal structure omitted; FIG. 7 is a front perspective view of a second embodiment of a camera lens showing our new design; FIG. 8 is a rear perspective view thereof; FIG. 9 is a rear elevational view thereof; FIG. 10 is a top plan view thereof, the undisclosed bottom plan view being a mirror image of FIG. 10; FIG. 11 is a right side elevational view thereof, the undisclosed left side view being a mirror image of FIG. 11; and, FIG. 12 is a cross-sectional view of the rear portion of the article taken along line 12-12 in FIG. 10 with the internal structure omitted.

The features shown in broken lines in the drawings depict environmental subject matter only and form no part of the claimed design. The dashed-dotted lines denote the boundary of the claim and form no part of the claimed design.

**1 Claim, 12 Drawing Sheets**

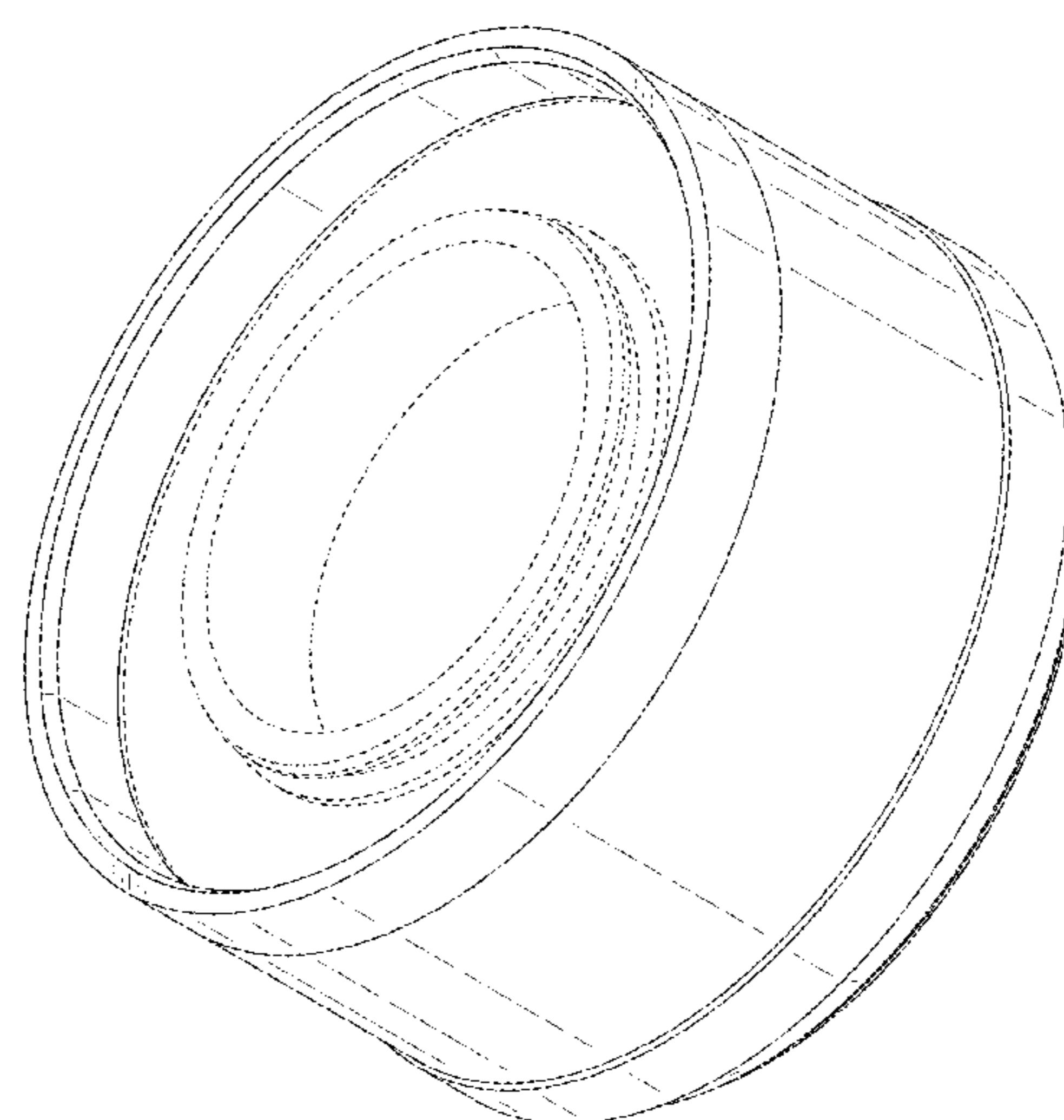
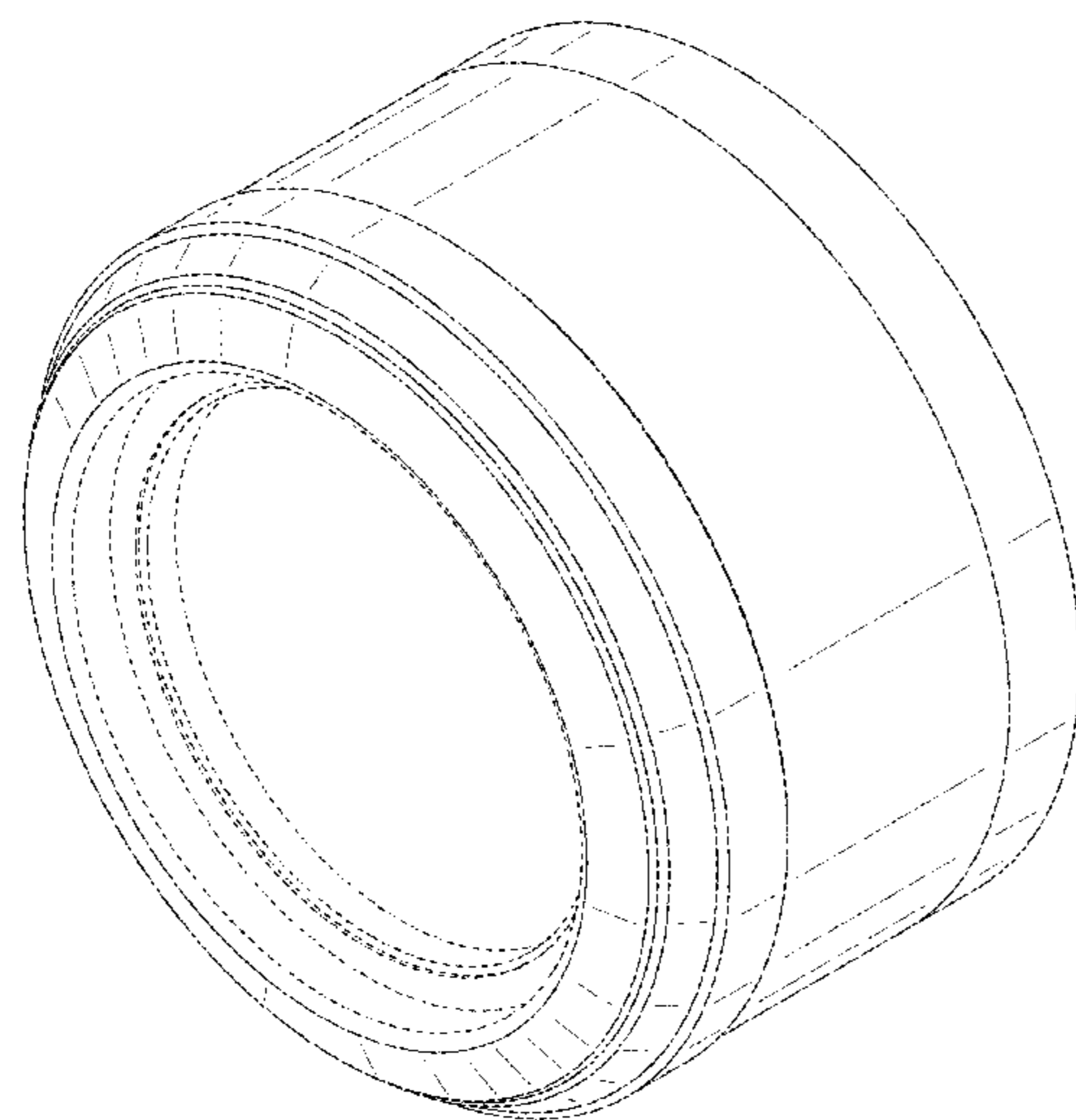


Fig. 1

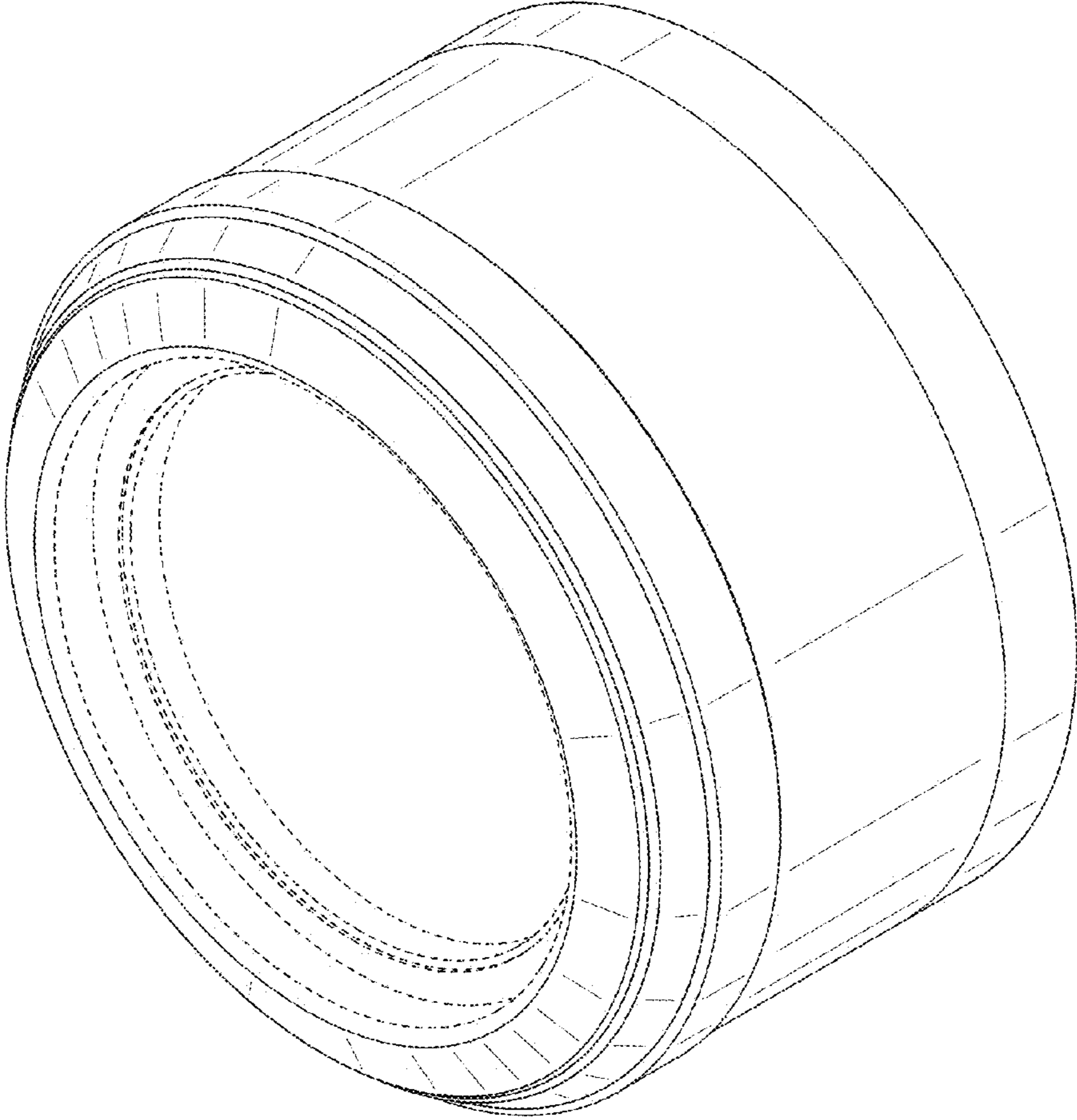


Fig. 2

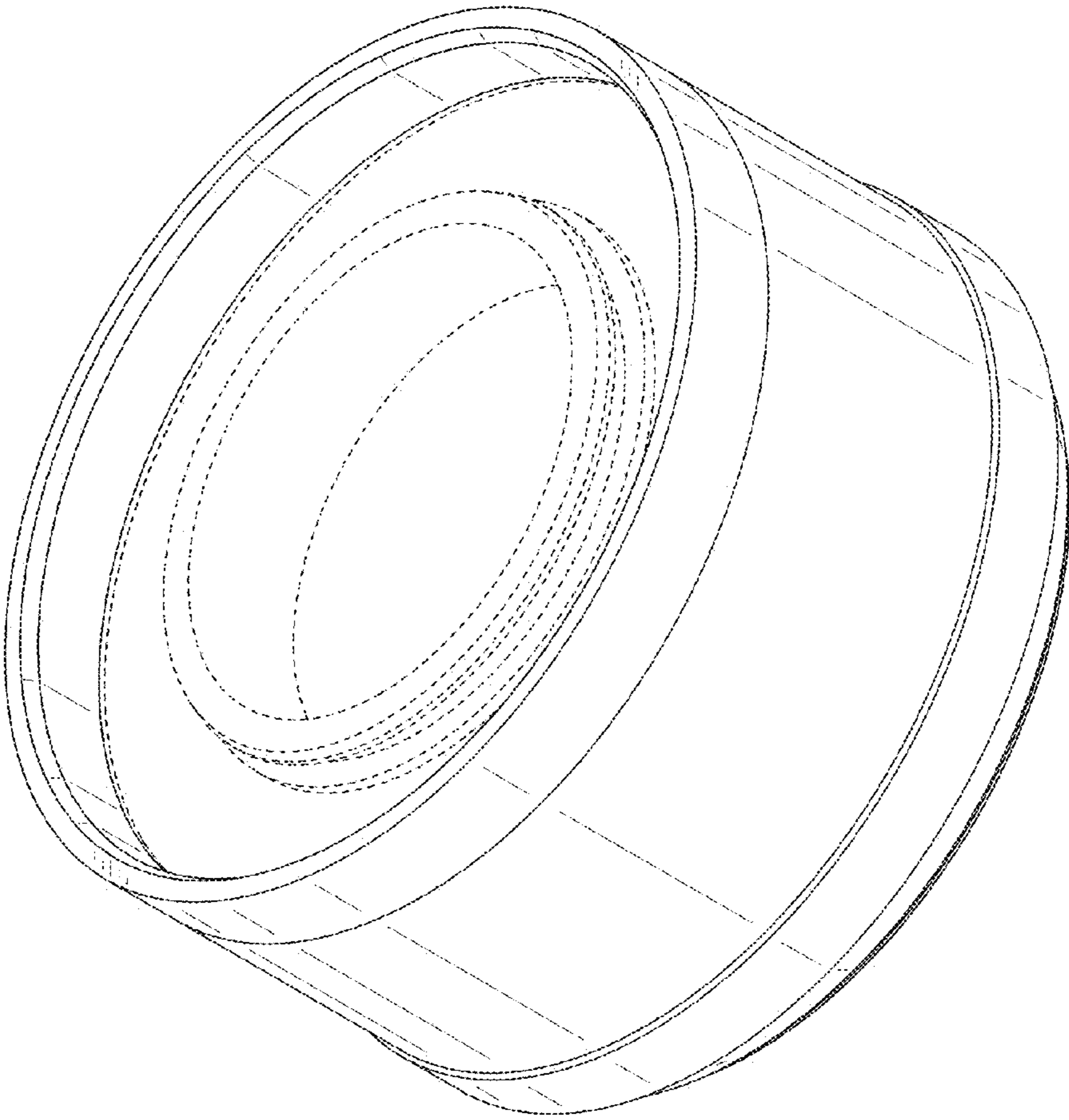


Fig. 3

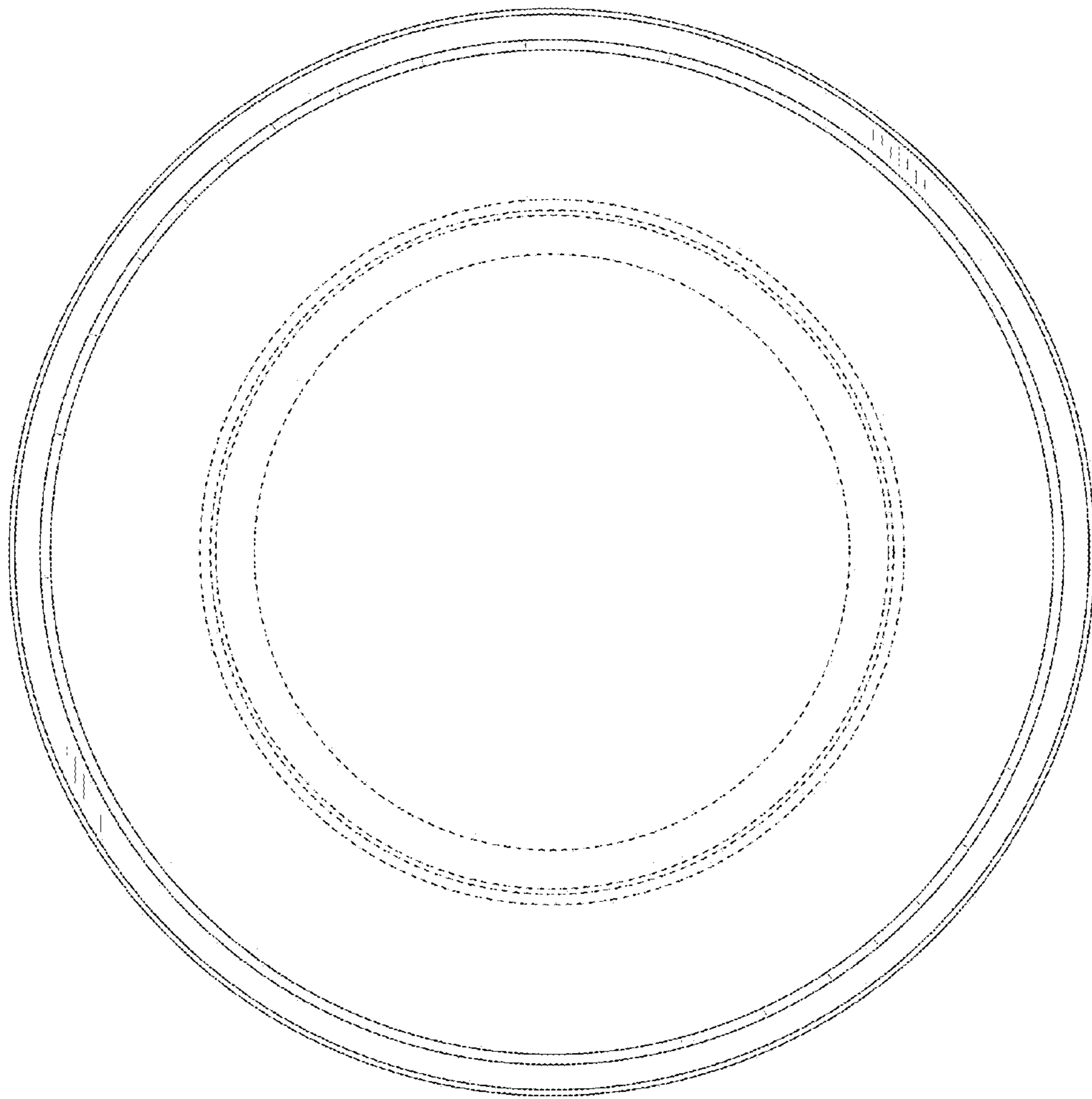


Fig. 4

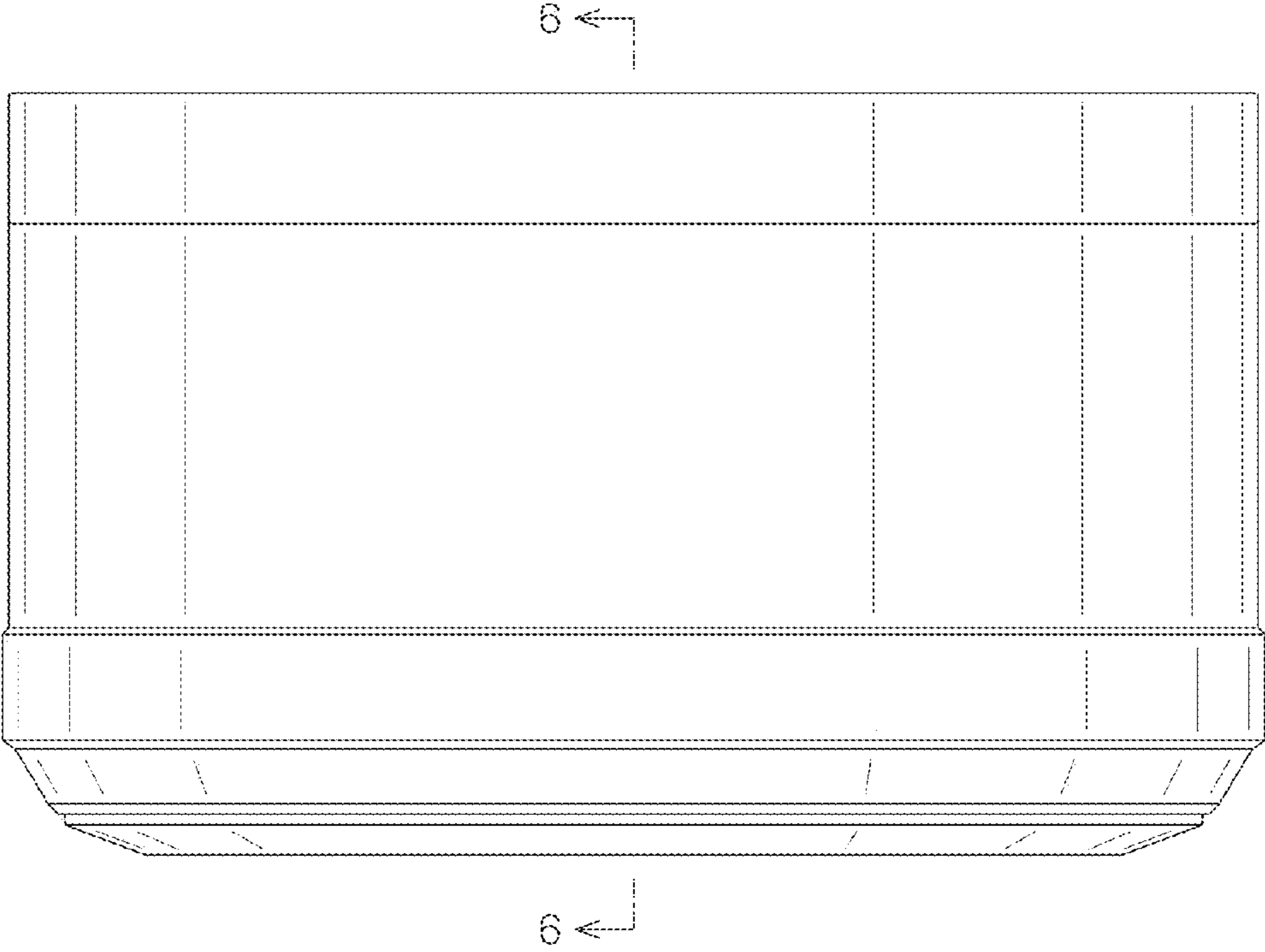


Fig. 5

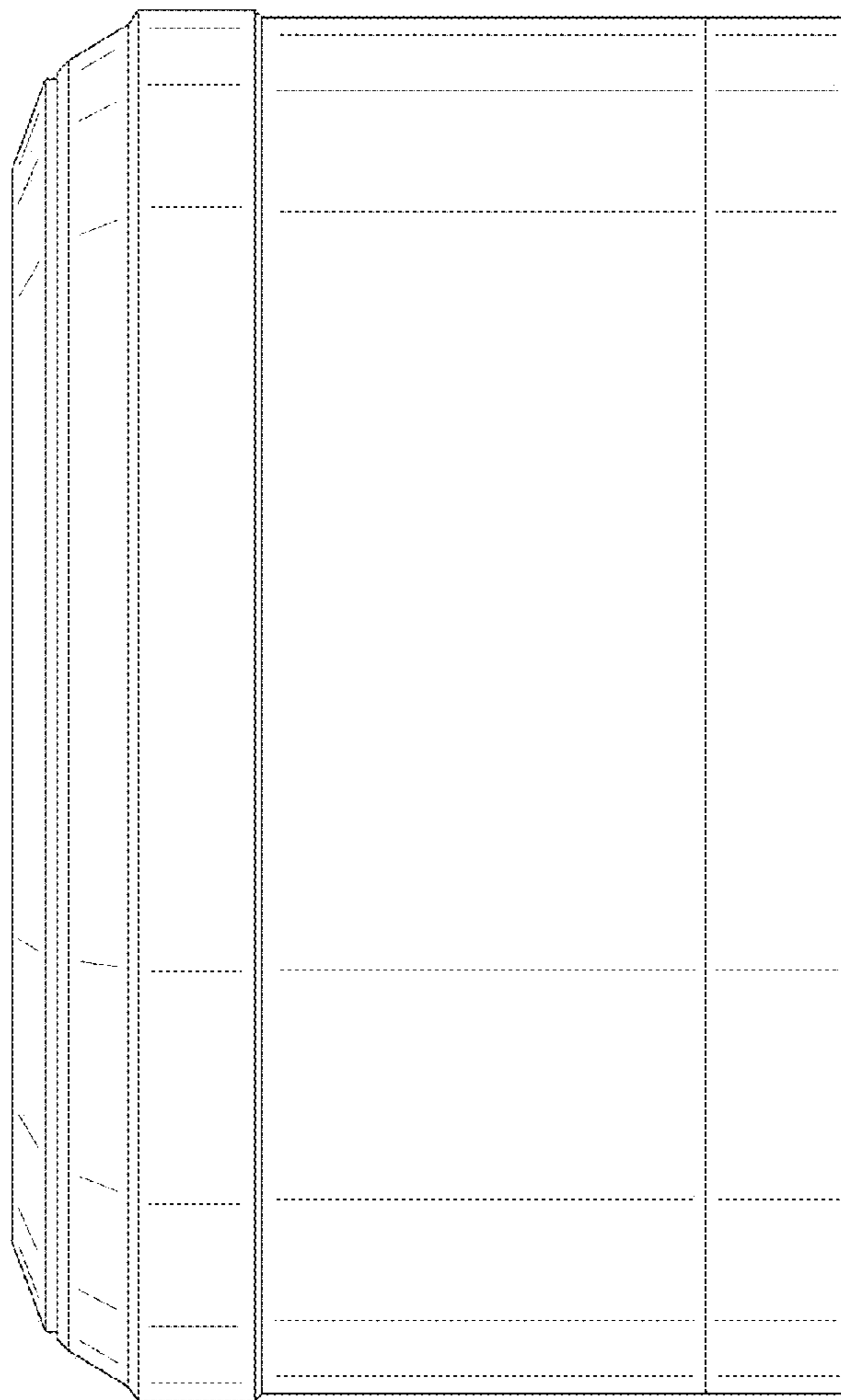


Fig. 6

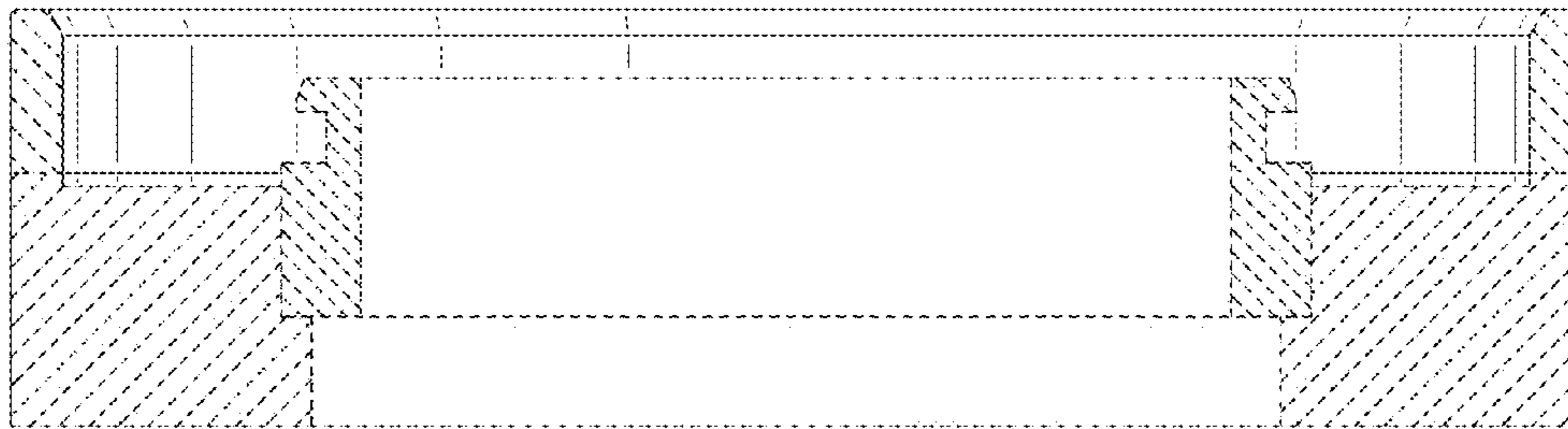


Fig. 7

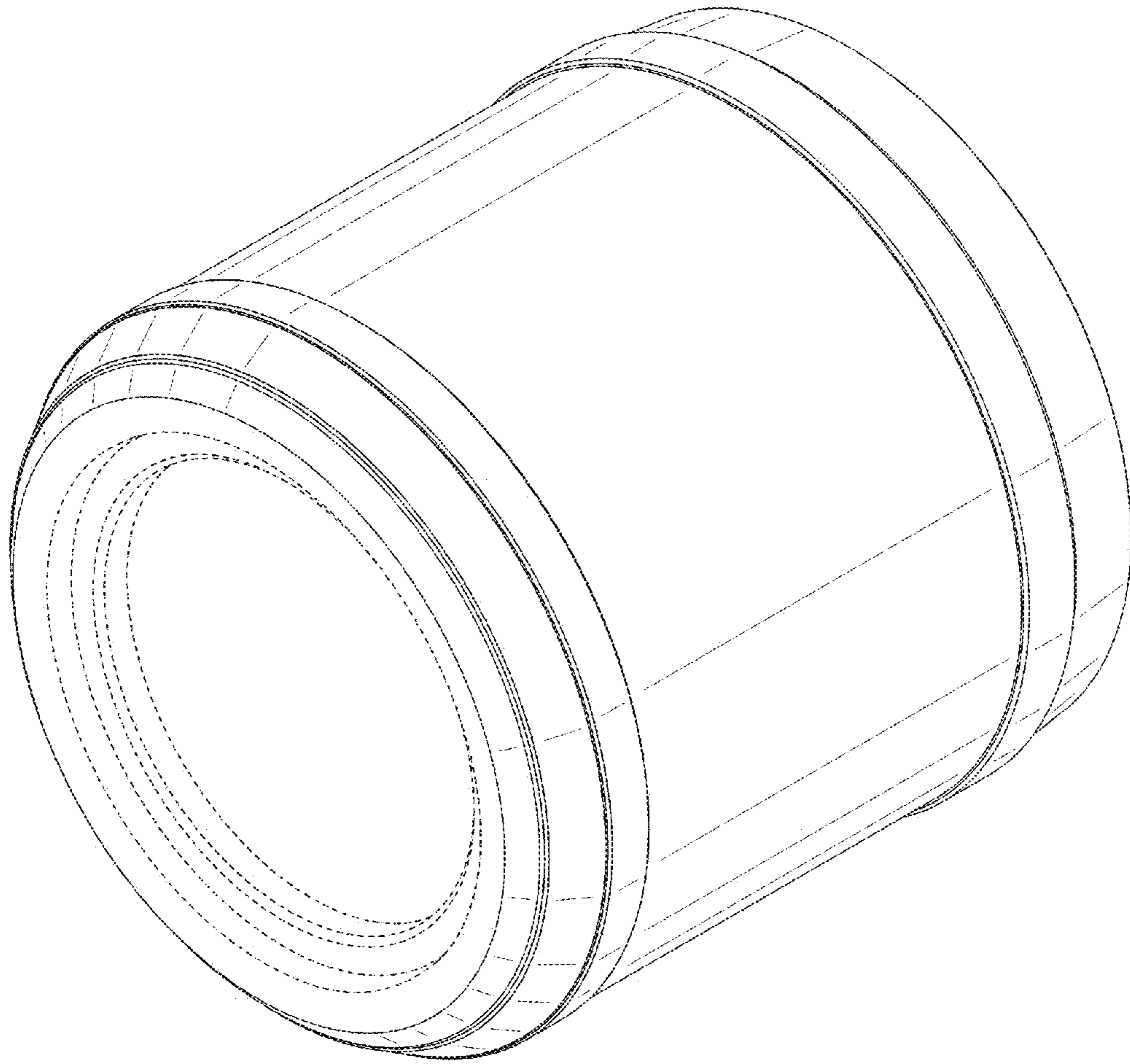




Fig. 8

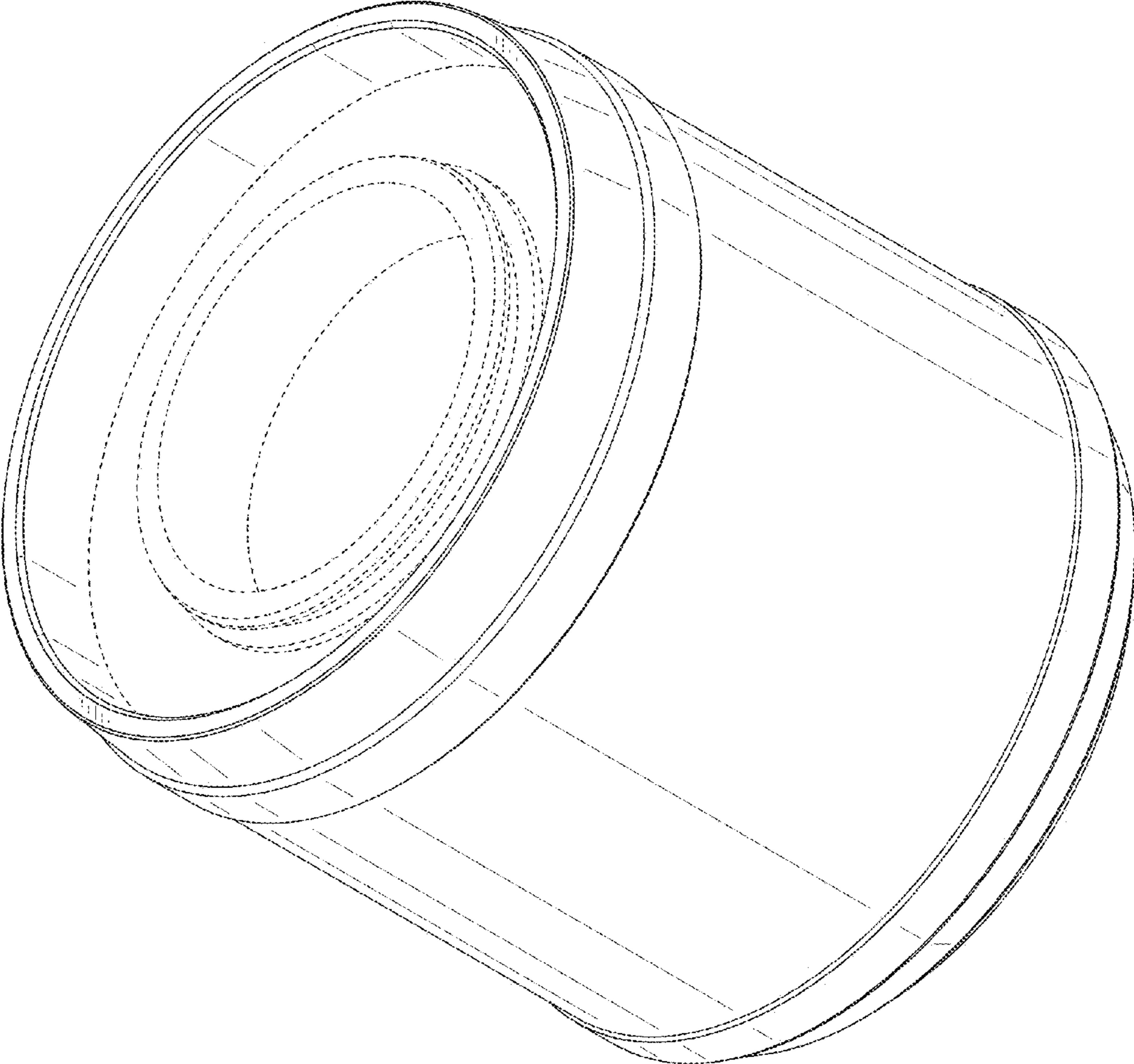


Fig. 9

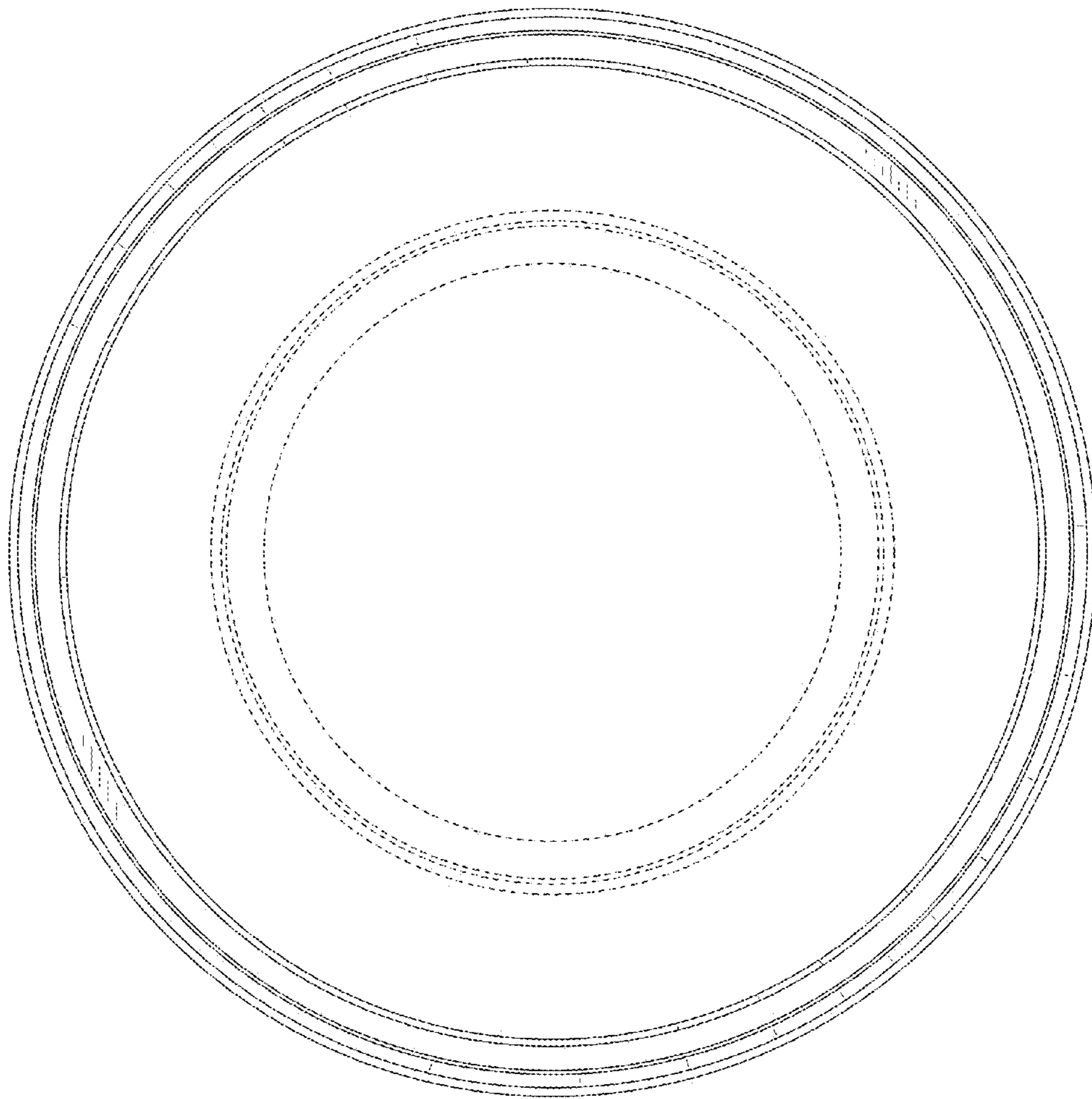


Fig. 10

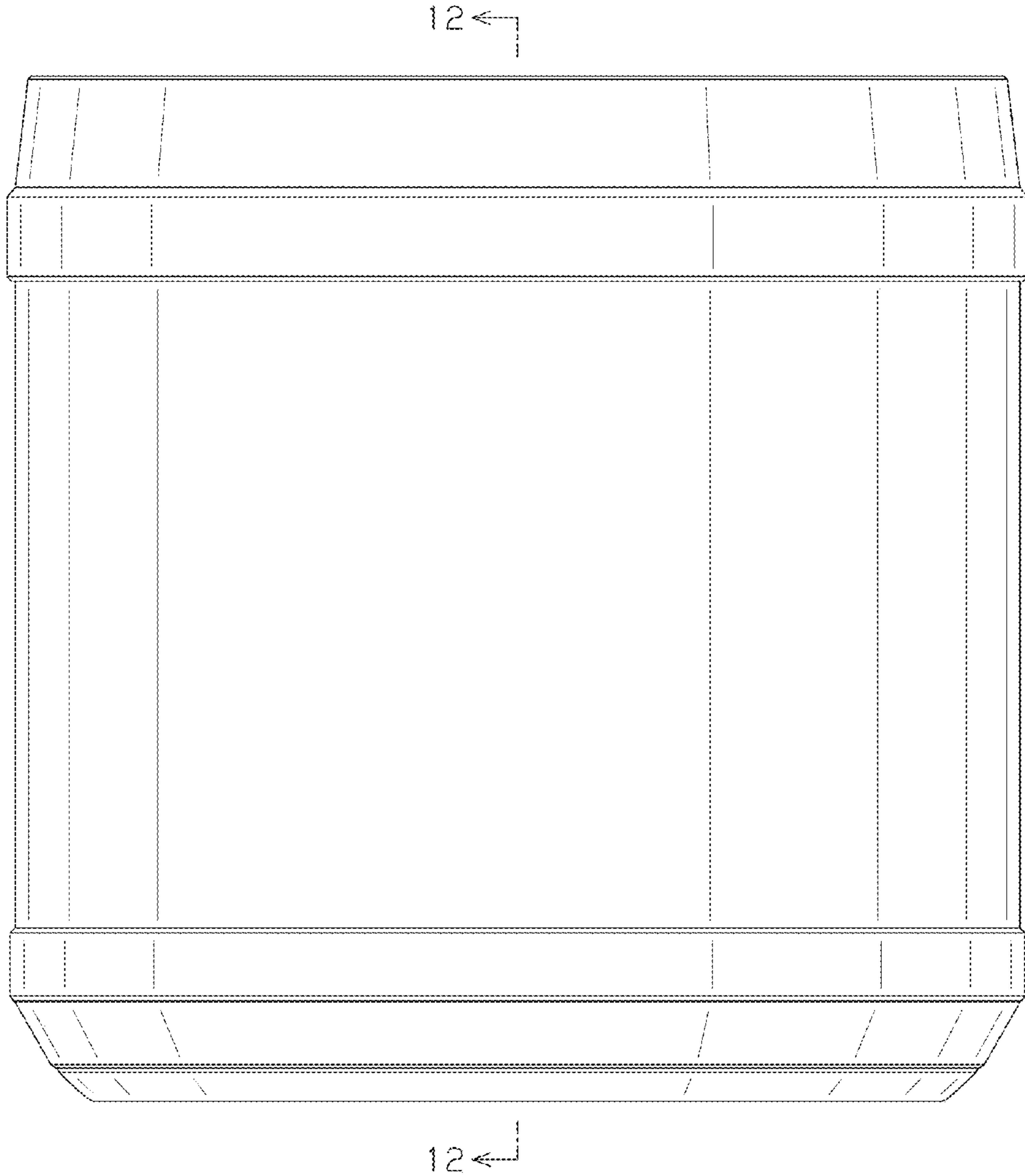


Fig. 11

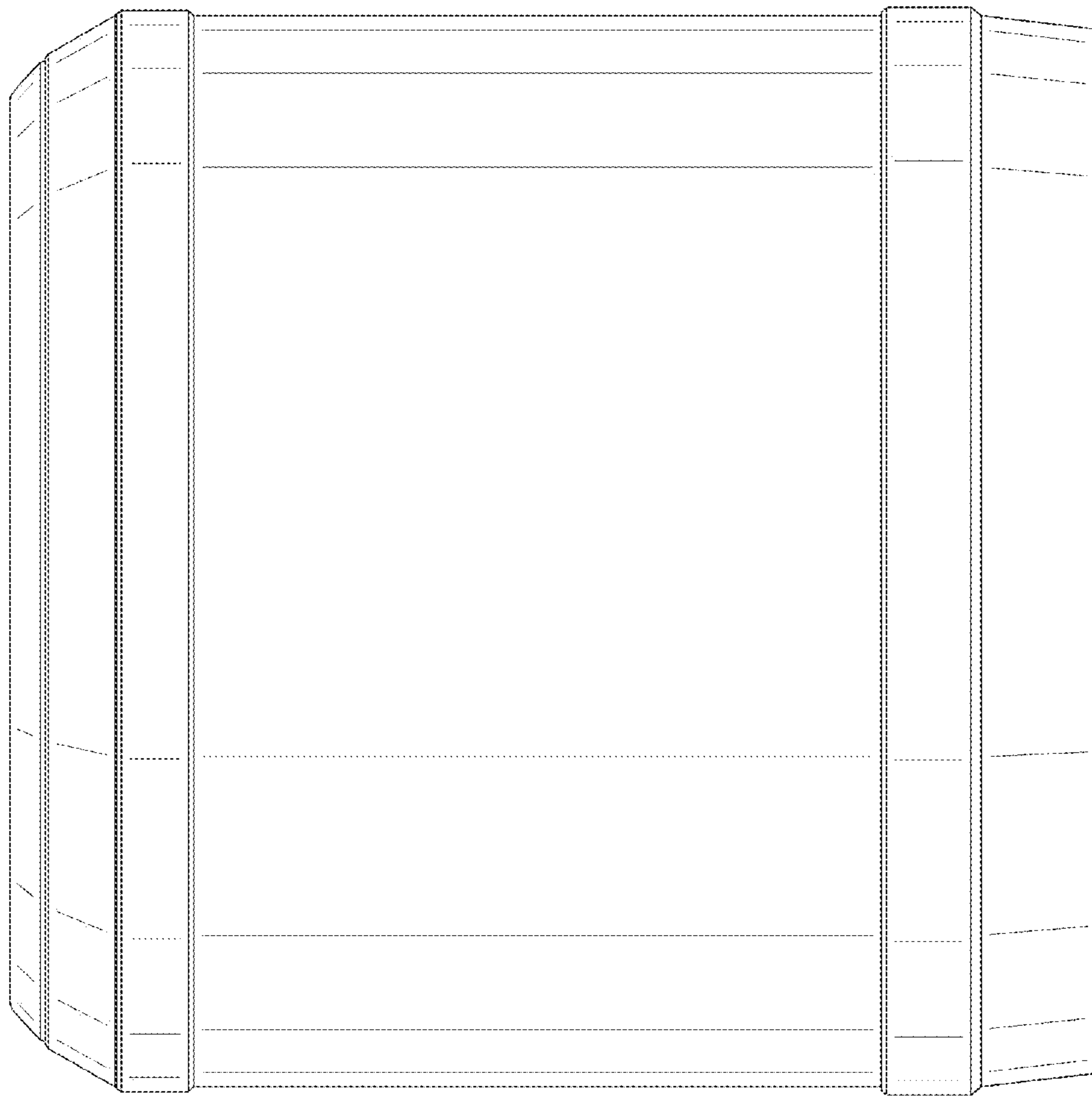


Fig. 12

