



US00D756439S

(12) **United States Design Patent**
Conard et al.

(10) **Patent No.:** **US D756,439 S**
(45) **Date of Patent:** **** May 17, 2016**

(54) **MAGNIFIER CAMERA**

(71) Applicant: **Freedom Scientific, Inc.**, St. Petersburg, FL (US)

(72) Inventors: **Todd Conard**, Ruskin, FL (US);
Breanna Stachowski, Philadelphia, PA (US); **Seth Galewyrick**, Victor, MT (US); **Jonathan D. Albert**, Philadelphia, PA (US); **Mathieu Turpault**, Pennington, NJ (US)

(73) Assignee: **Freedom Scientific, Inc.**, St. Petersburg, FL (US)

(**) Term: **14 Years**

(21) Appl. No.: **29/518,233**

(22) Filed: **Feb. 20, 2015**

(51) **LOC (10) Cl.** **16-01**

(52) **U.S. Cl.**
USPC **D16/208; D16/232**

(58) **Field of Classification Search**
USPC D16/200, 202, 203, 208, 214, 218, 232,
D16/242; 348/373-374; 396/535, 536, 540
CPC G03B 17/00; G03B 17/04; H04N 5/2251;
H04N 5/2252; H04N 5/2253
See application file for complete search history.

(56) **References Cited**

U.S. PATENT DOCUMENTS

D383,475 S * 9/1997 Yamauchi D16/202
D411,520 S * 6/1999 Iwakawa D16/208
D411,833 S * 7/1999 Iwakawa D16/208
7,245,441 B2 * 7/2007 Wu G03B 17/04
348/207.11

D662,121 S * 6/2012 Rodriguez D16/208
D667,042 S * 9/2012 Shen D14/423
D677,707 S * 3/2013 Shen D16/232
D680,148 S * 4/2013 Unno D14/423
D686,268 S * 7/2013 Dunn D16/232
D717,855 S * 11/2014 Hong D14/423

* cited by examiner

Primary Examiner — Adir Aronovich

(74) *Attorney, Agent, or Firm* — GrayRobinson, P.A.;
Michael J. Colitz, III

(57) **CLAIM**

The ornamental design for a magnifier camera, as shown and described.

DESCRIPTION

FIG. 1 is a right side perspective view of a magnifier camera in the deployed configuration.

FIG. 2 is a left side perspective view of the magnifier camera in the deployed configuration.

FIG. 3 is a front elevational view of the magnifier camera in the deployed configuration.

FIG. 4 is a rear elevational view of the magnifier camera in the deployed configuration.

FIG. 5 is a left side elevational view of the magnifier camera in the deployed configuration.

FIG. 6 is a right side elevational view of the magnifier camera in the deployed configuration.

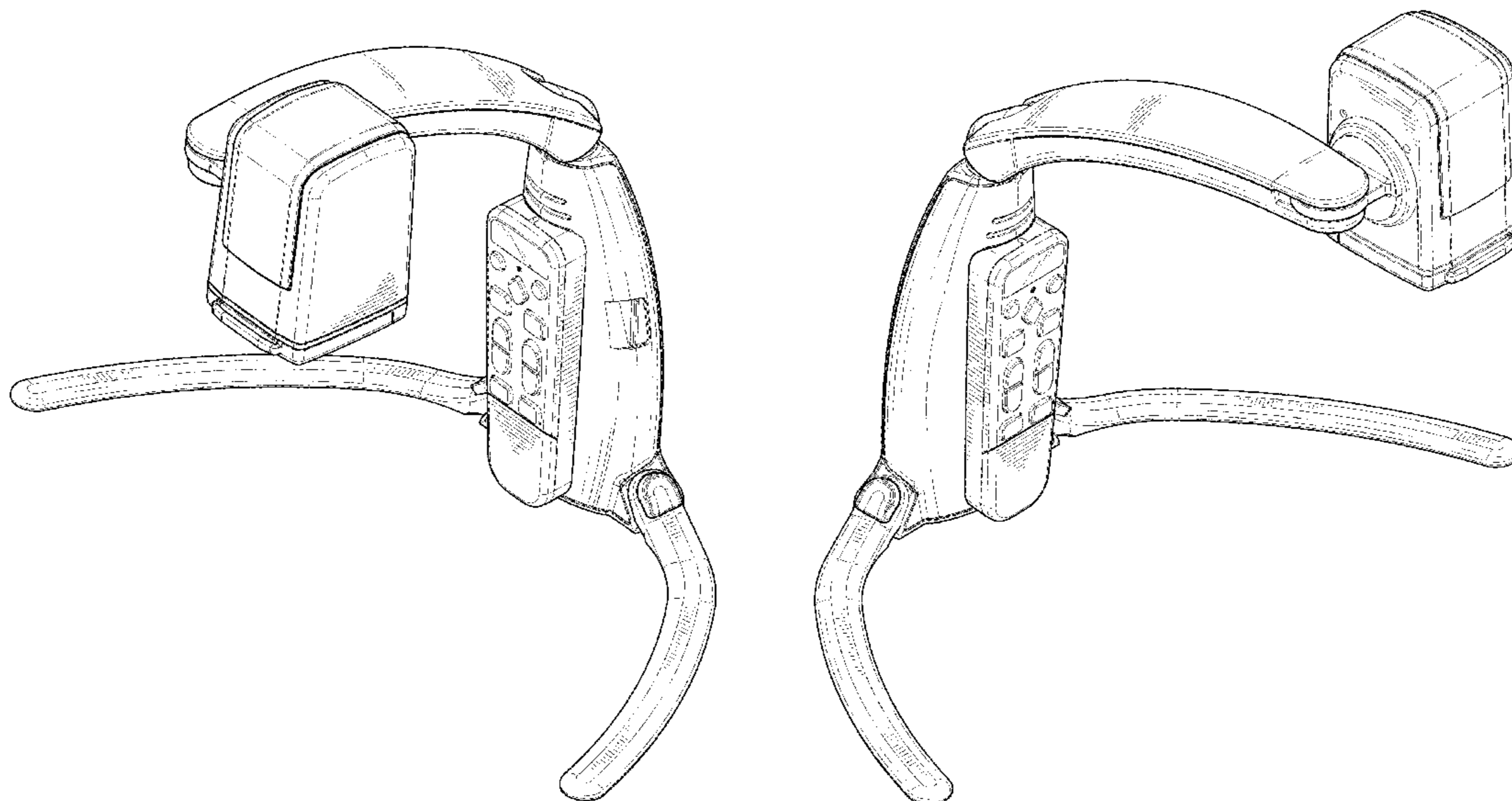
FIG. 7 is a top plan view of the magnifier camera in the deployed configuration.

FIG. 8 is a bottom plan view of the magnifier camera in the deployed configuration.

FIG. 9 is a top perspective view of the magnifier camera in the collapsed configuration; and,

FIG. 10 is a bottom perspective view of the magnifier camera in the collapsed configuration.

1 Claim, 10 Drawing Sheets



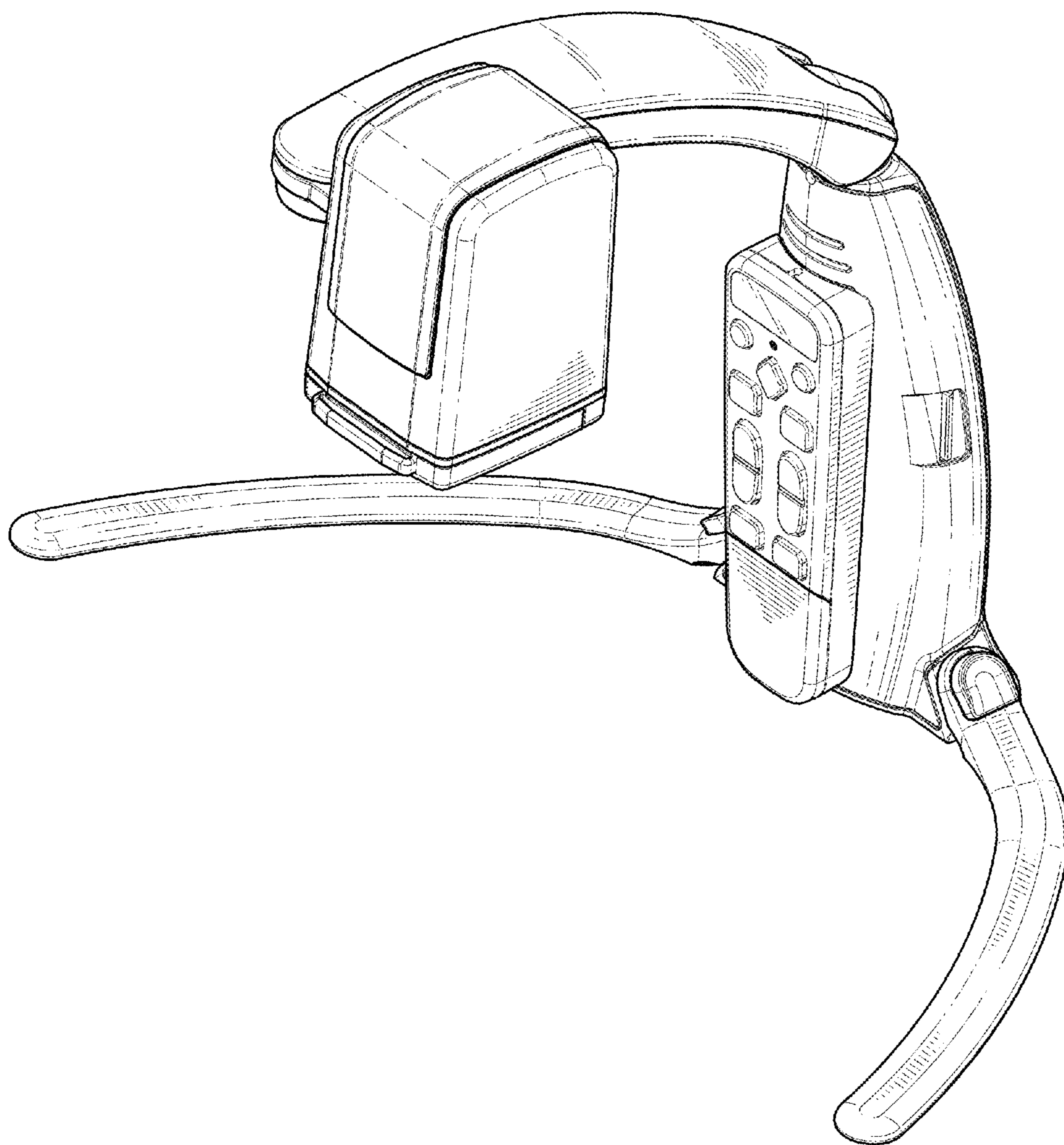


FIG. 1

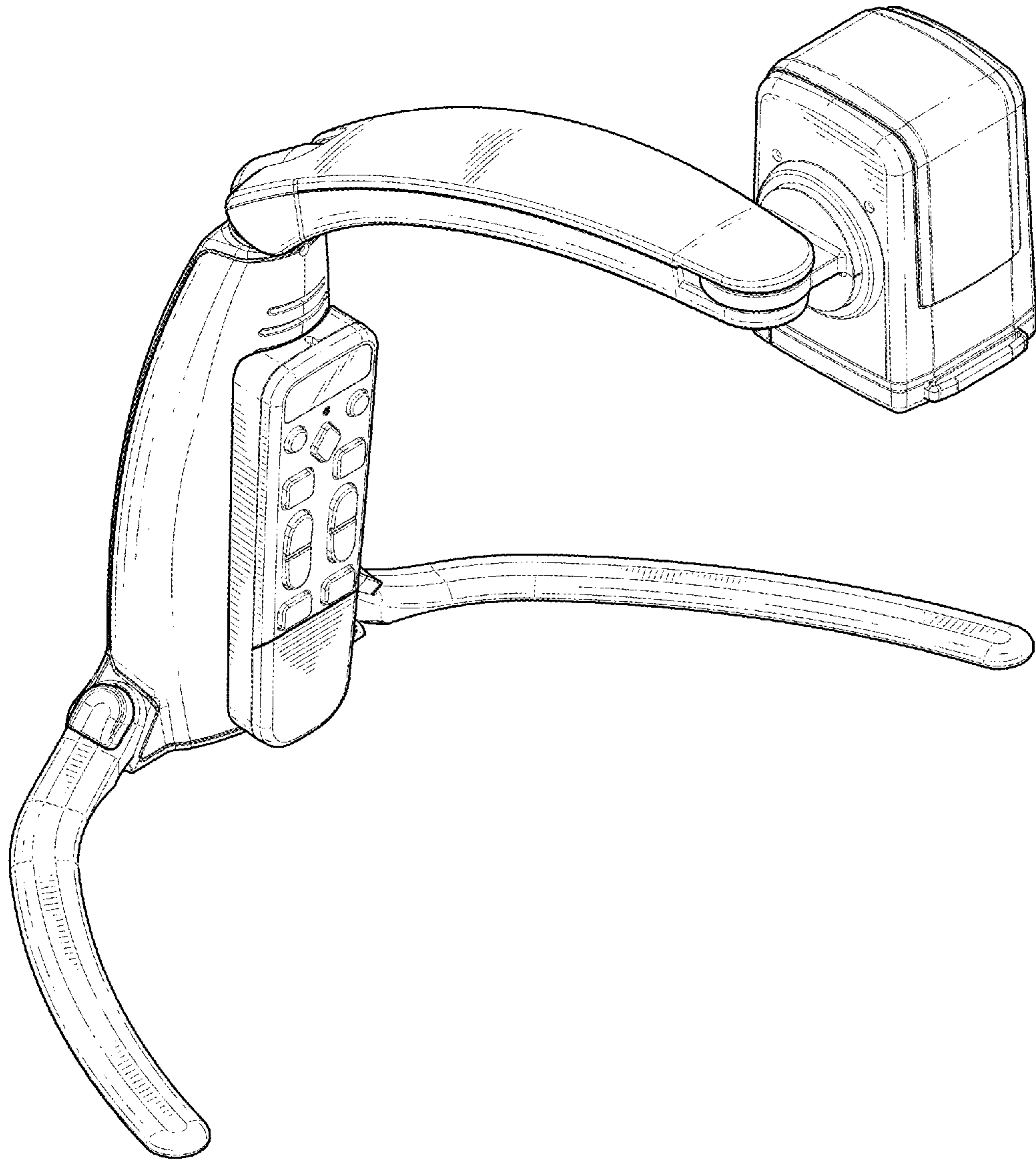


FIG. 2

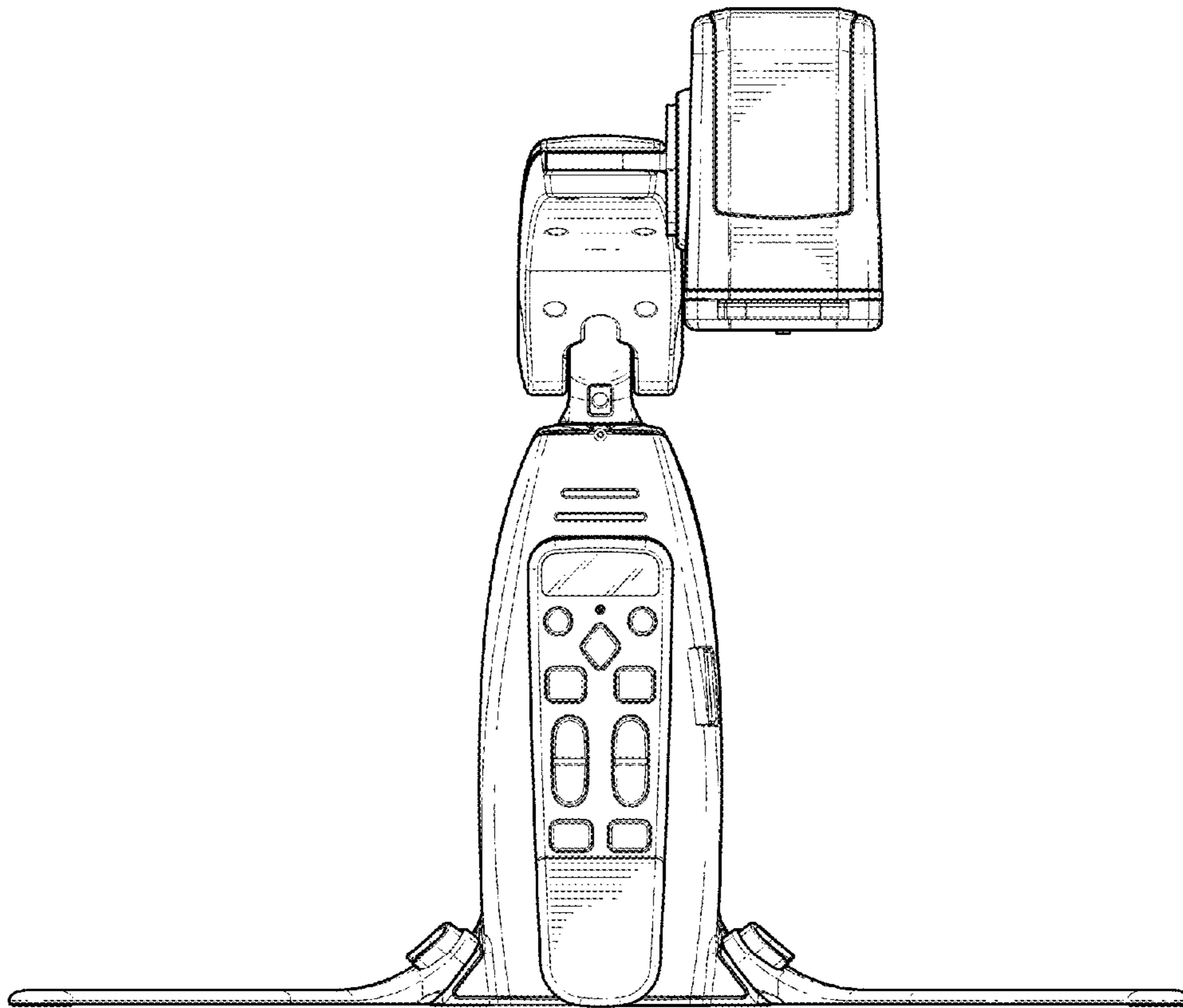


FIG. 3

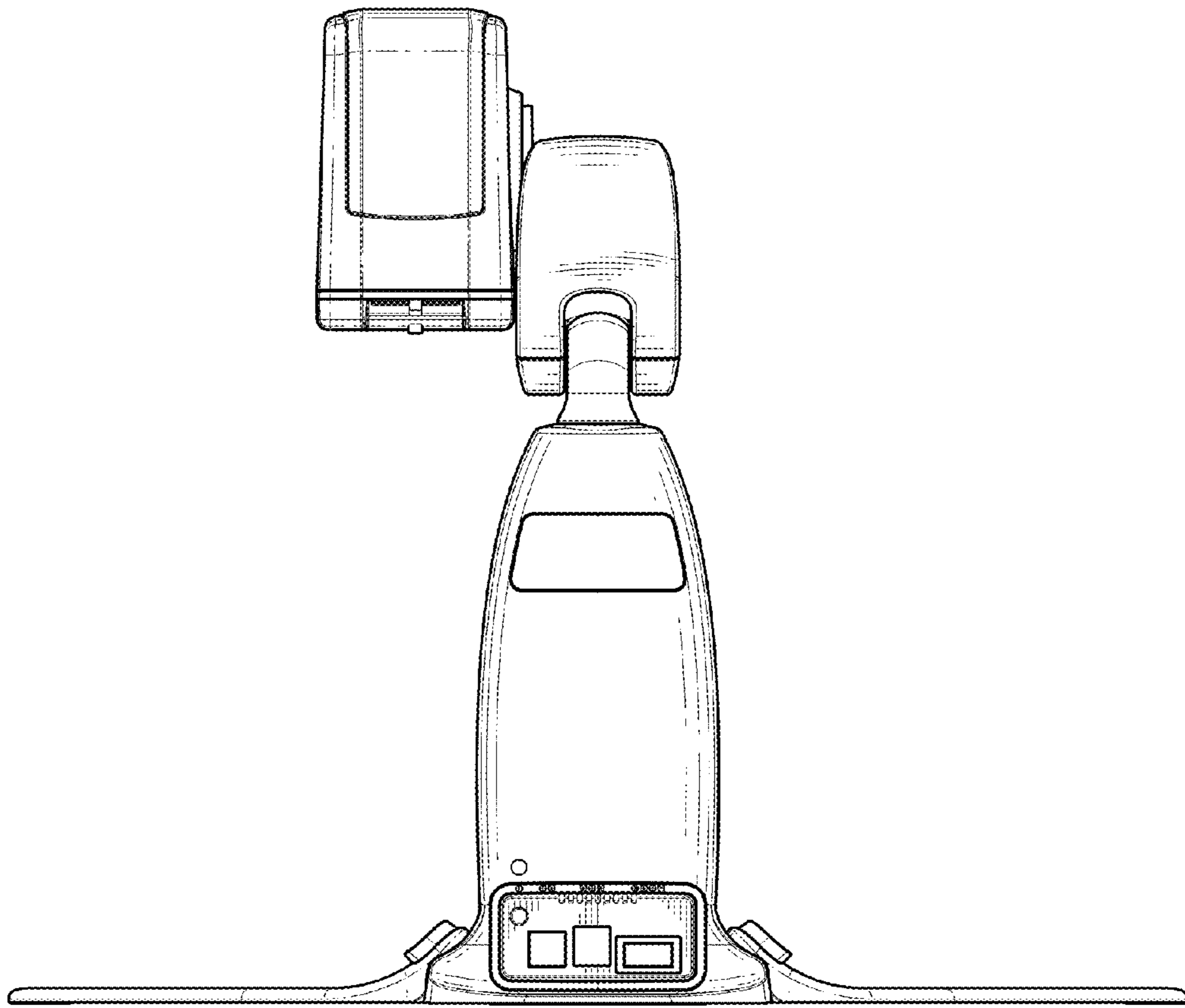


FIG. 4

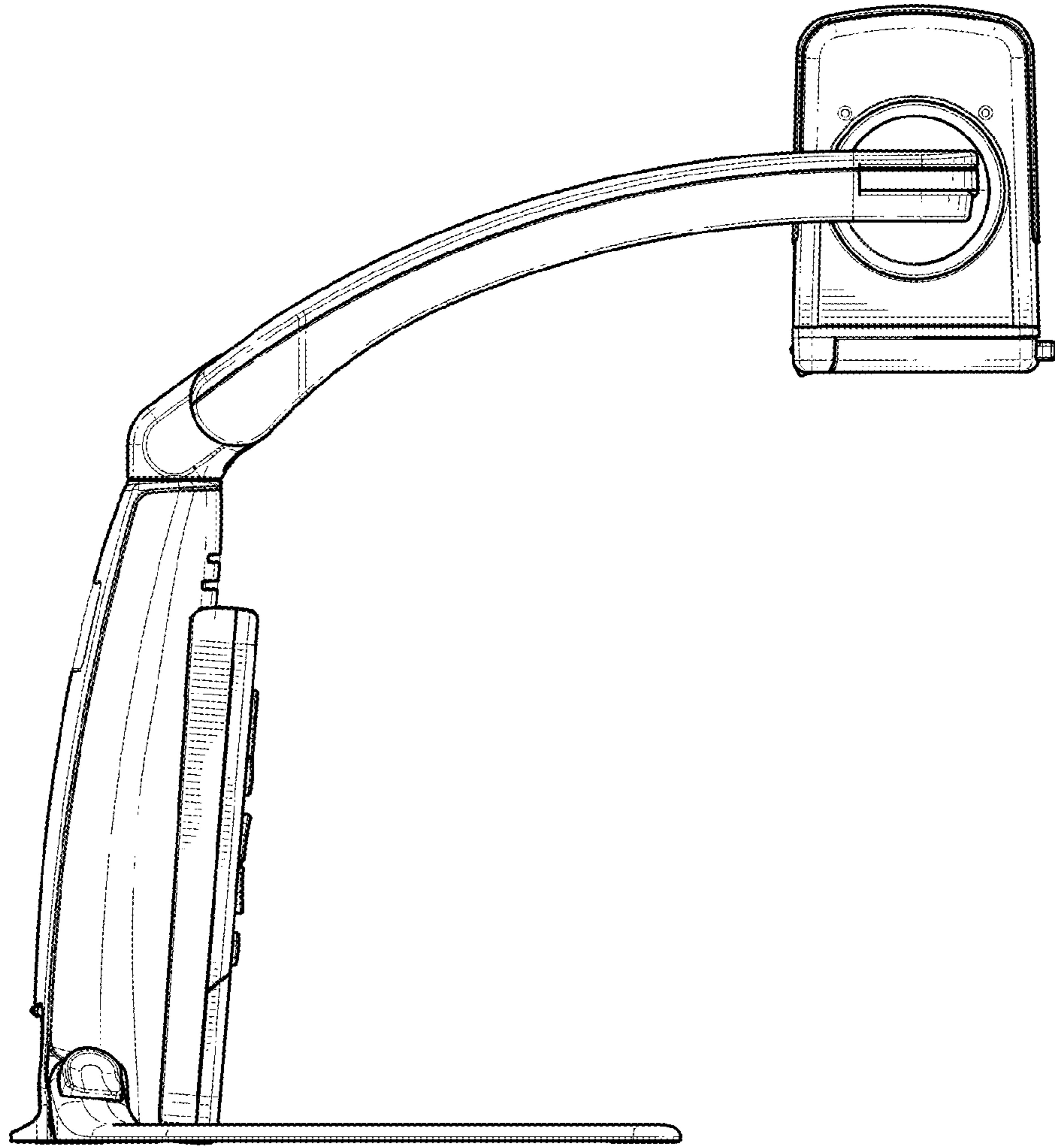


FIG. 5

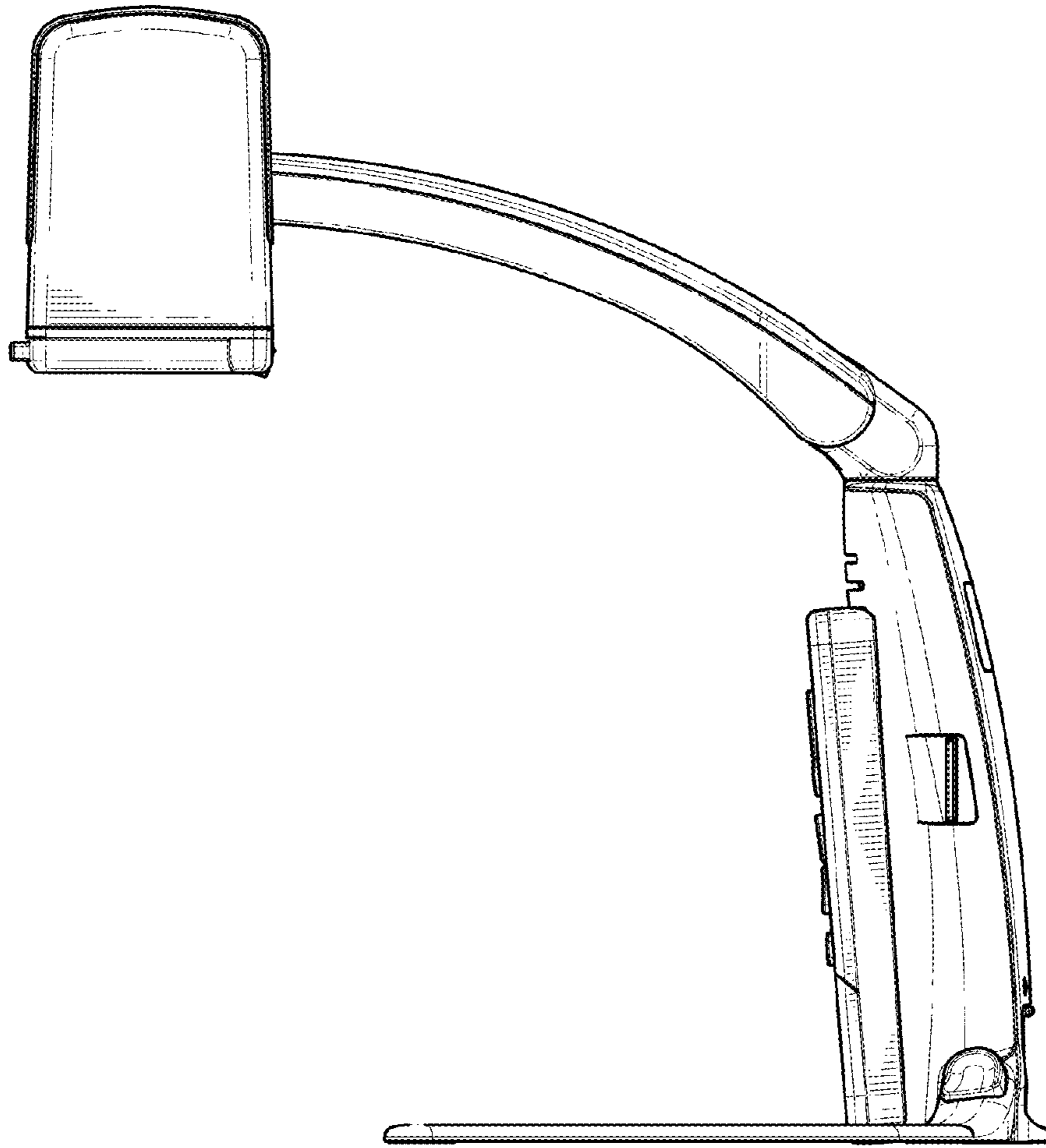


FIG. 6

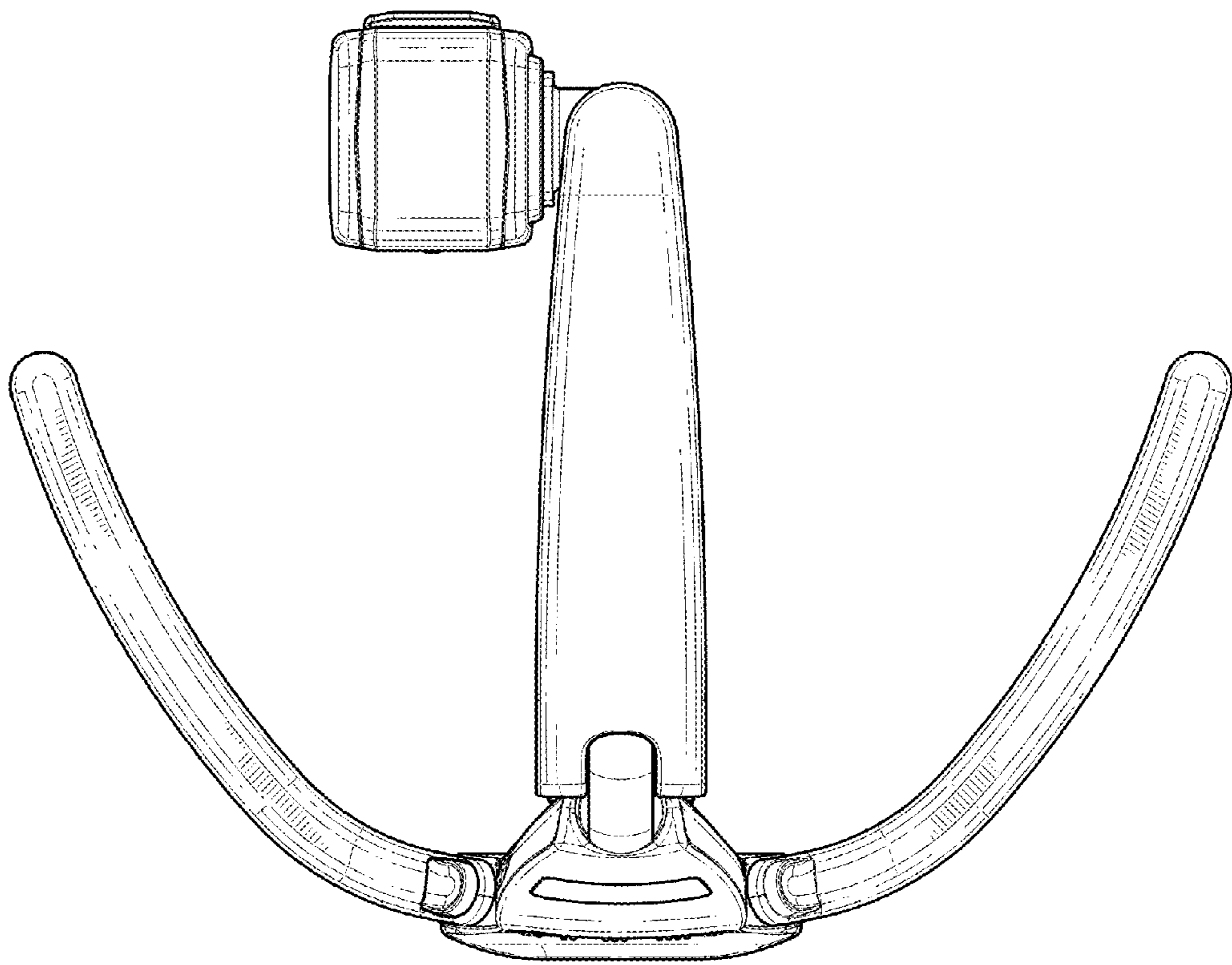


FIG. 7

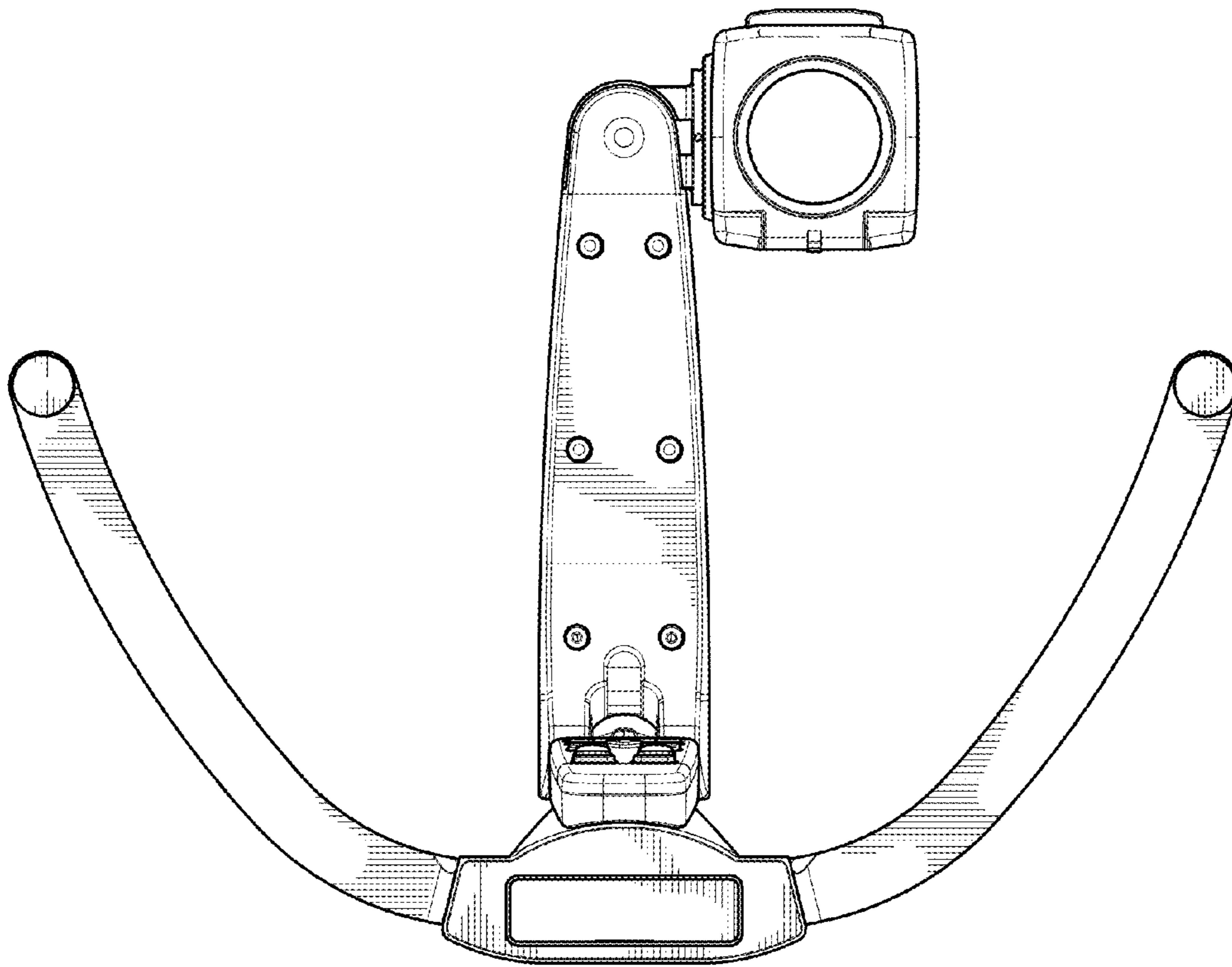


FIG. 8

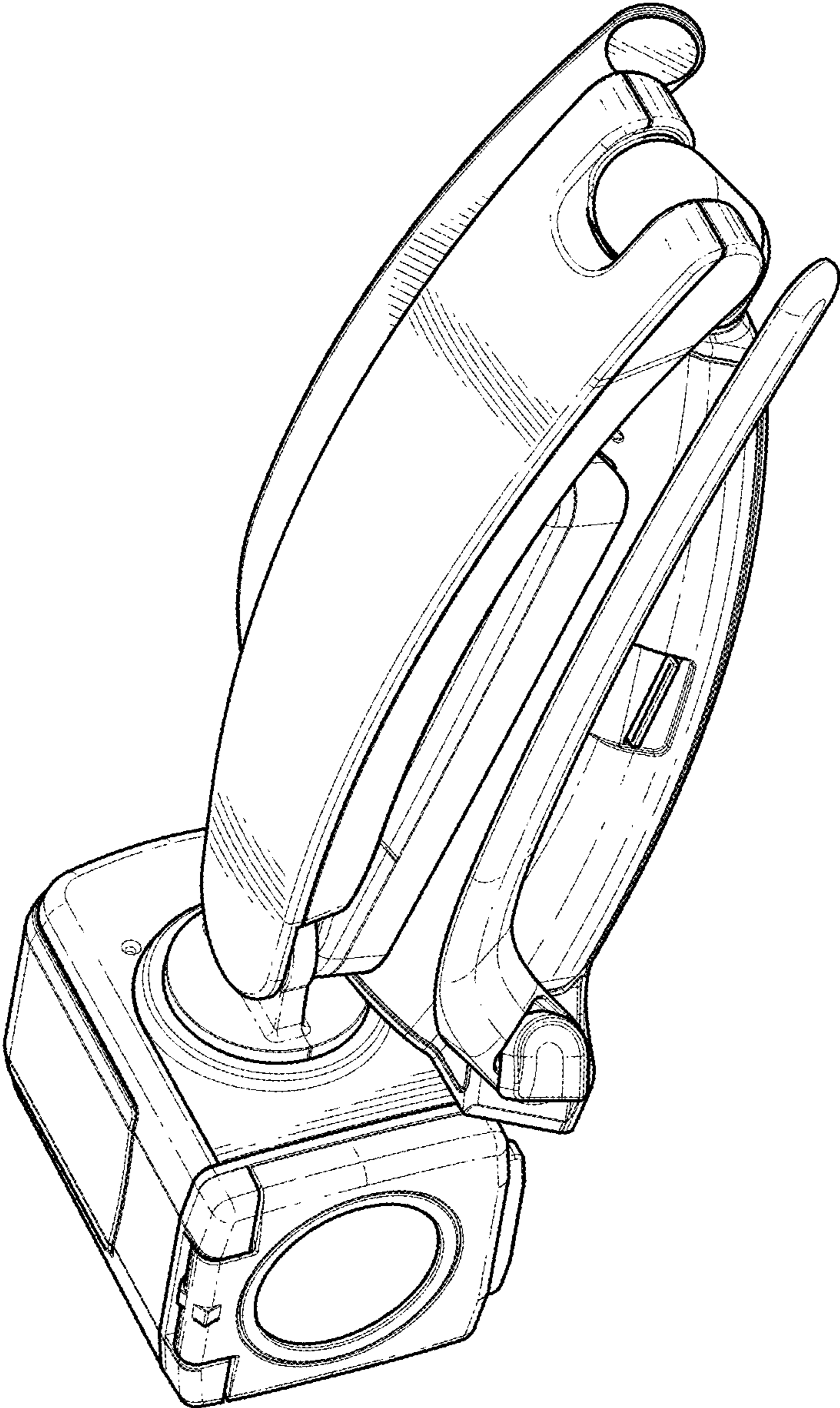


FIG. 9

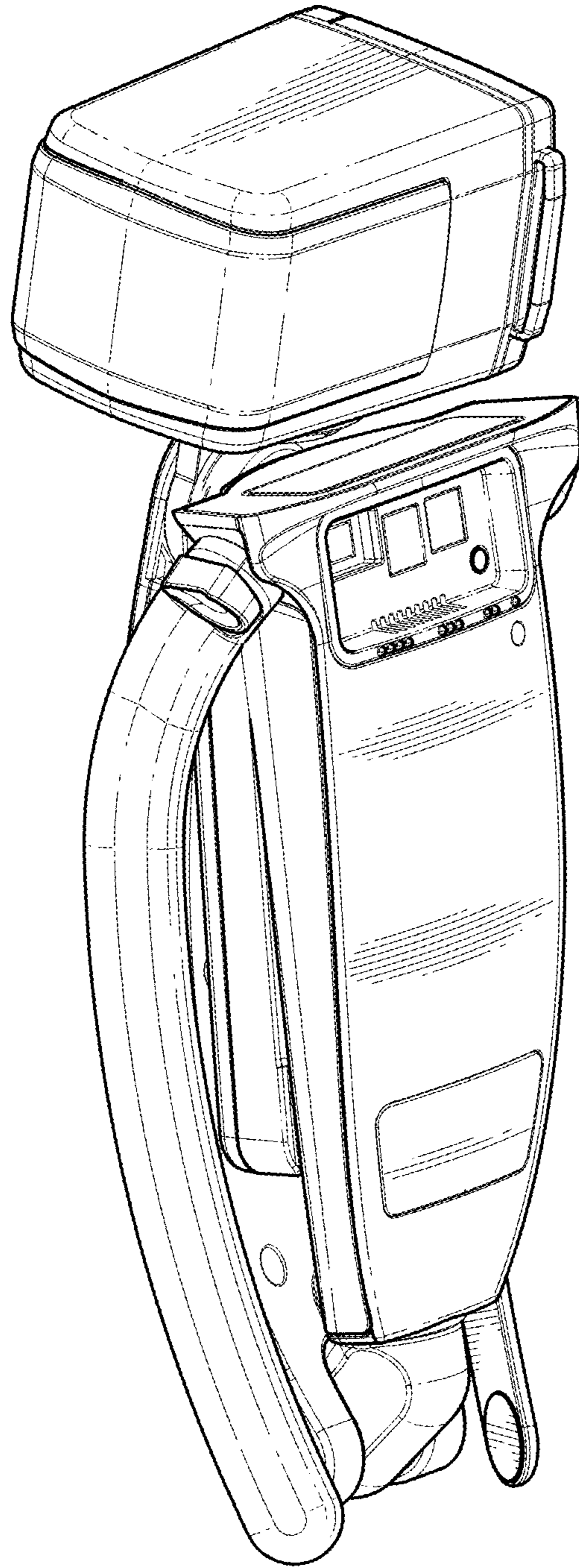


FIG. 10