



US00D756438S

(12) **United States Design Patent**  
**Okamura et al.**

(10) **Patent No.:** **US D756,438 S**

(45) **Date of Patent:** **\*\* May 17, 2016**

(54) **SURVEILLANCE CAMERA**

(71) Applicant: **Panasonic Corporation**, Kadoma-shi,  
Osaka (JP)

(72) Inventors: **Shinichiro Okamura**, Fukuoka (JP);  
**Hiroki Yamanaka**, Fukuoka (JP)

(73) Assignee: **PANASONIC INTELLECTUAL  
PROPERTY MANAGEMENT CO.,  
LTD.**, Osaka (JP)

(\*\*) Term: **14 Years**

(21) Appl. No.: **29/466,206**

(22) Filed: **Sep. 5, 2013**

(30) **Foreign Application Priority Data**

Mar. 29, 2013 (JP) ..... 2013-007112

(51) **LOC (10) Cl.** ..... **16-01**

(52) **U.S. Cl.**  
USPC ..... **D16/203**; D16/219

(58) **Field of Classification Search**  
USPC ..... D16/200, 202–206, 218, 219, 242;  
348/143, 148, 151, 373–376; 396/419,  
396/427, 535, 539–541  
CPC ..... G03B 17/02; G03B 19/04; G03B 17/56;  
G03B 17/04; G03B 15/03; H04N 5/2251;  
H04N 5/2252; H04N 5/2253; H04N 5/2254;  
H04N 7/181; H04N 7/183; H04N 7/18;  
G08B 13/1963; G08B 13/19619; G08B  
13/19632; F16M 11/04; F16M 13/00  
See application file for complete search history.

(56) **References Cited**

**U.S. PATENT DOCUMENTS**

6,715,940 B2 \* 4/2004 Top ..... G08B 13/1963  
348/143  
D639,842 S \* 6/2011 Zeinoun ..... D16/203  
7,990,468 B2 \* 8/2011 Yamamoto ..... F16M 11/12  
348/373

D645,071 S \* 9/2011 Hinkel ..... D16/203  
D657,410 S \* 4/2012 Helaoui ..... D16/203  
D662,120 S 6/2012 Deurwaarder  
D692,473 S \* 10/2013 Kawaguchi ..... D16/202

(Continued)

**OTHER PUBLICATIONS**

“WV-SF448E | 360-degree Network Cameras | Network Products  
(i-PRO SmartHD) | Security” [online], and high quality image of  
same, including still frame images of two embedded video clips,  
retrieved from the Internet address <[http://security.panasonic.com/  
pss/security/products/hd/wv-sf448/index.html#STITLE15](http://security.panasonic.com/pss/security/products/hd/wv-sf448/index.html#STITLE15)>,  
[retrieved on Aug. 12, 2013], 29 pages.

(Continued)

*Primary Examiner* — Susan E Krakower

*Assistant Examiner* — Ramzi Almatrahi

(74) *Attorney, Agent, or Firm* — Brinks Gilson & Lione

(57) **CLAIM**

We claim the ornamental design for a surveillance camera, as  
shown and described.

**DESCRIPTION**

FIG. 1 is a perspective view of a surveillance camera of the  
present invention, with a lens being positioned towards the  
inside of the surveillance camera and shown in a closed posi-  
tion;

FIG. 2 is a bottom plan view thereof;

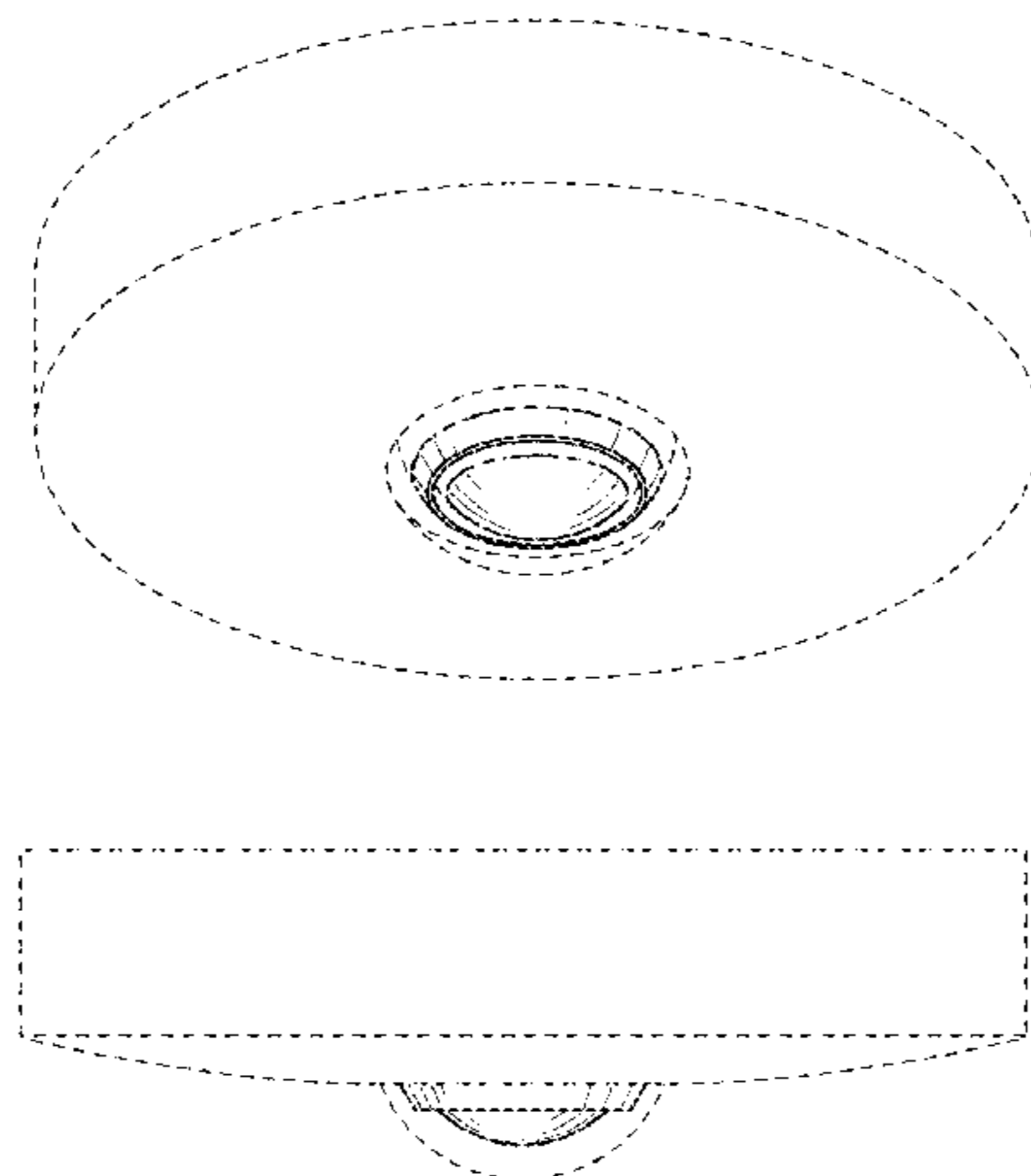
FIG. 3 is a side elevation view thereof;

FIG. 4 is a perspective view thereof, with the lens being  
rotated from the position shown in FIG. 1 and a partially open  
position; and,

FIG. 5 is a perspective view thereof, with the lens being  
positioned directly below and shown in an open position.

The broken lines in the drawings are shown to illustrate the  
portions of a camera in which the design is embodied and  
form no part of the claimed design. Additionally, the dash-dot  
lines in the drawings define the boundary of the claim and  
form no part of the claimed design.

**1 Claim, 5 Drawing Sheets**



(56)

References Cited

U.S. PATENT DOCUMENTS

D694,305 S \* 11/2013 Katori ..... D16/203  
D694,306 S \* 11/2013 Katori ..... D16/203  
D719,994 S \* 12/2014 Wang ..... D16/203  
D726,800 S \* 4/2015 Dahlqvist ..... D16/203  
2010/0259613 A1\* 10/2010 Lee ..... H04N 5/2251  
348/143  
2011/0102666 A1\* 5/2011 Neufeglise ..... G08B 7/06  
348/373  
2012/0106943 A1\* 5/2012 Mukai ..... H04N 5/2254  
396/427

OTHER PUBLICATIONS

“SituCon Systems, Inc.—Emergency Awareness Solutions” [online], and high quality image of same, retrieved from the Internet address <<http://www.situconsystemns.com/products.situcam.asp>>, [retrieved on Aug. 12, 2013], 1 page.  
“SituCam Privacy Protecting Camera Opening” [online], and high quality still frame images of same, retrieved from the Internet address <<http://www.youtube.com/watch?v=TxN4abPiKPA>>, [retrieved on Aug. 23, 2013], 5 pages.

\* cited by examiner

FIG. 1

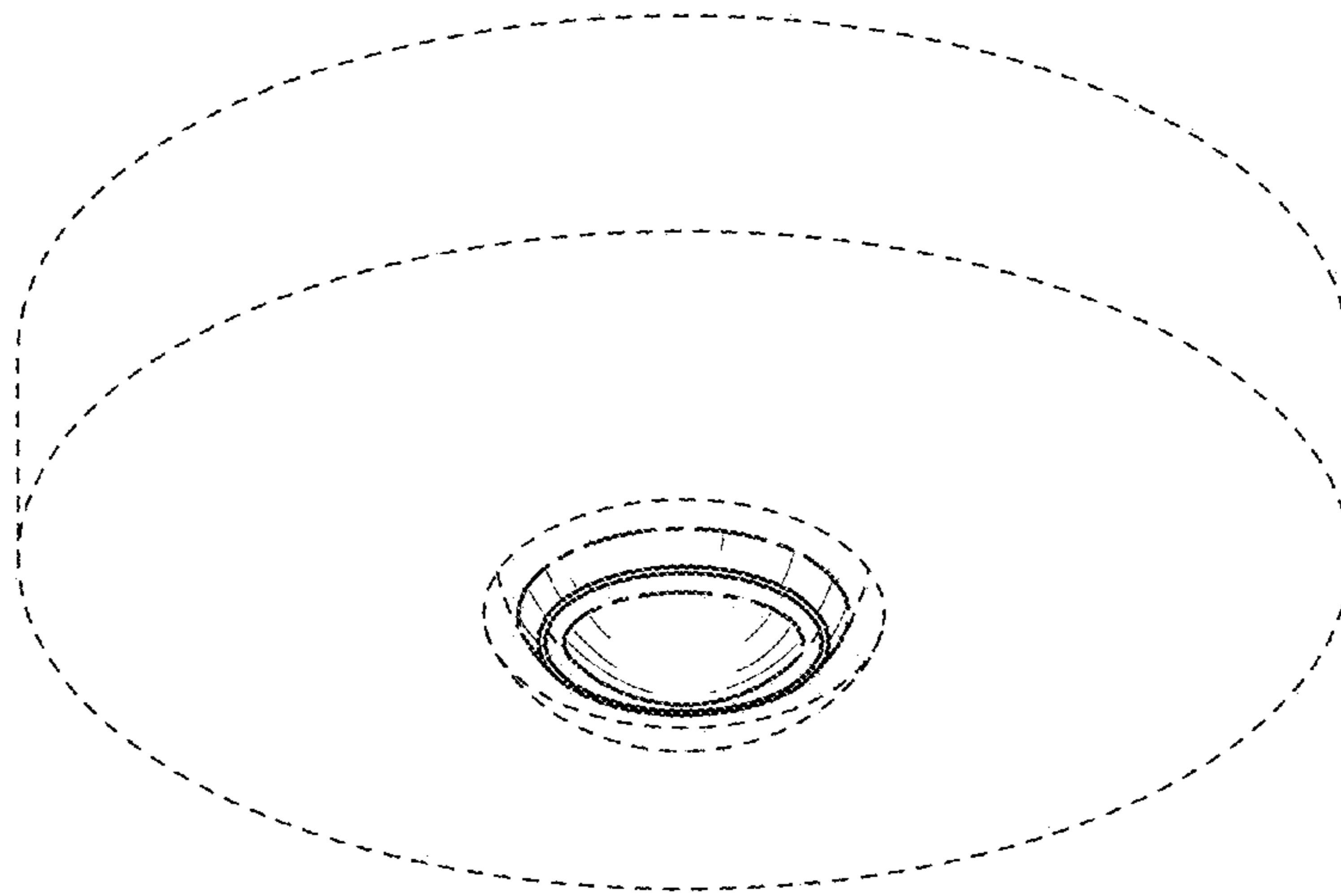


FIG.2

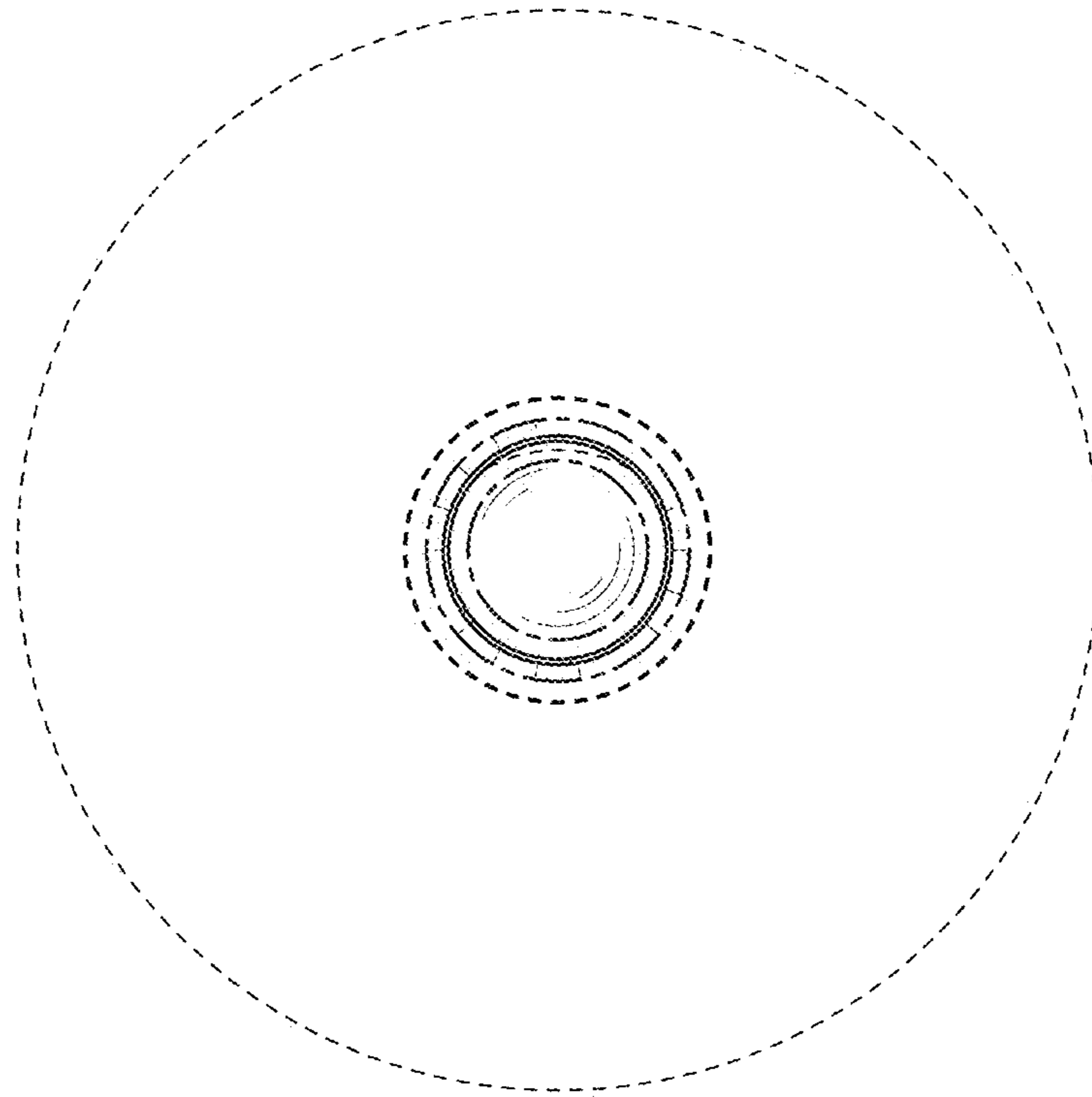


FIG.3

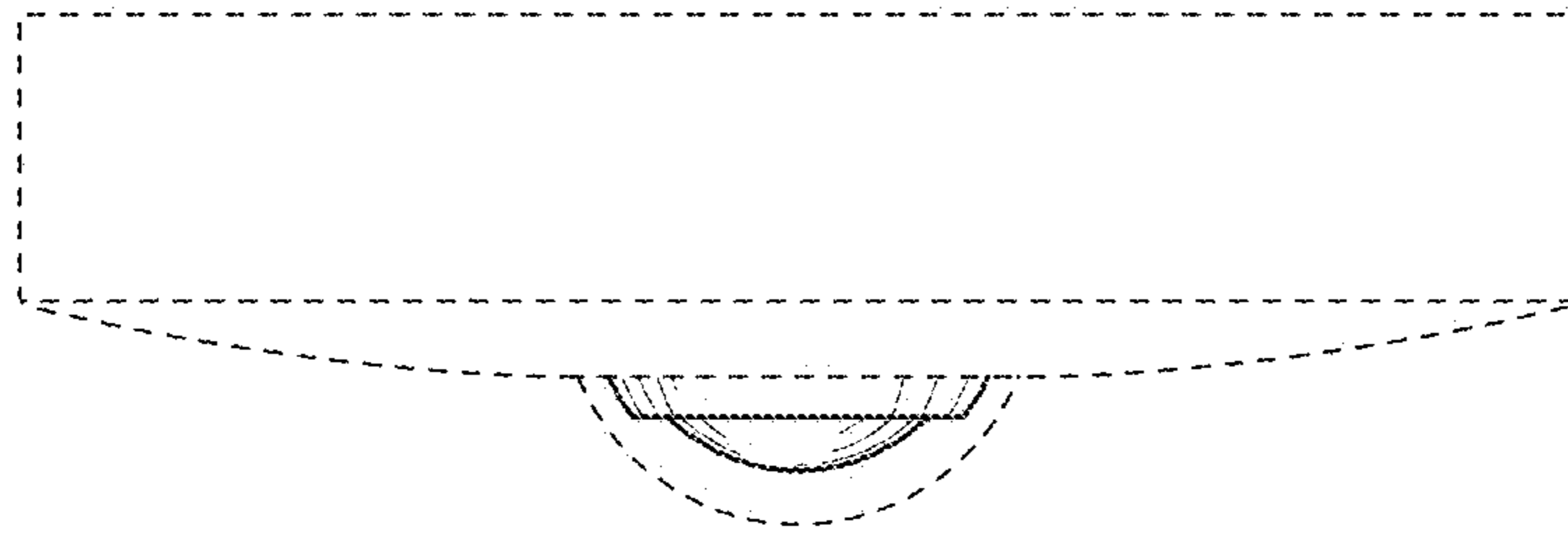


FIG.4

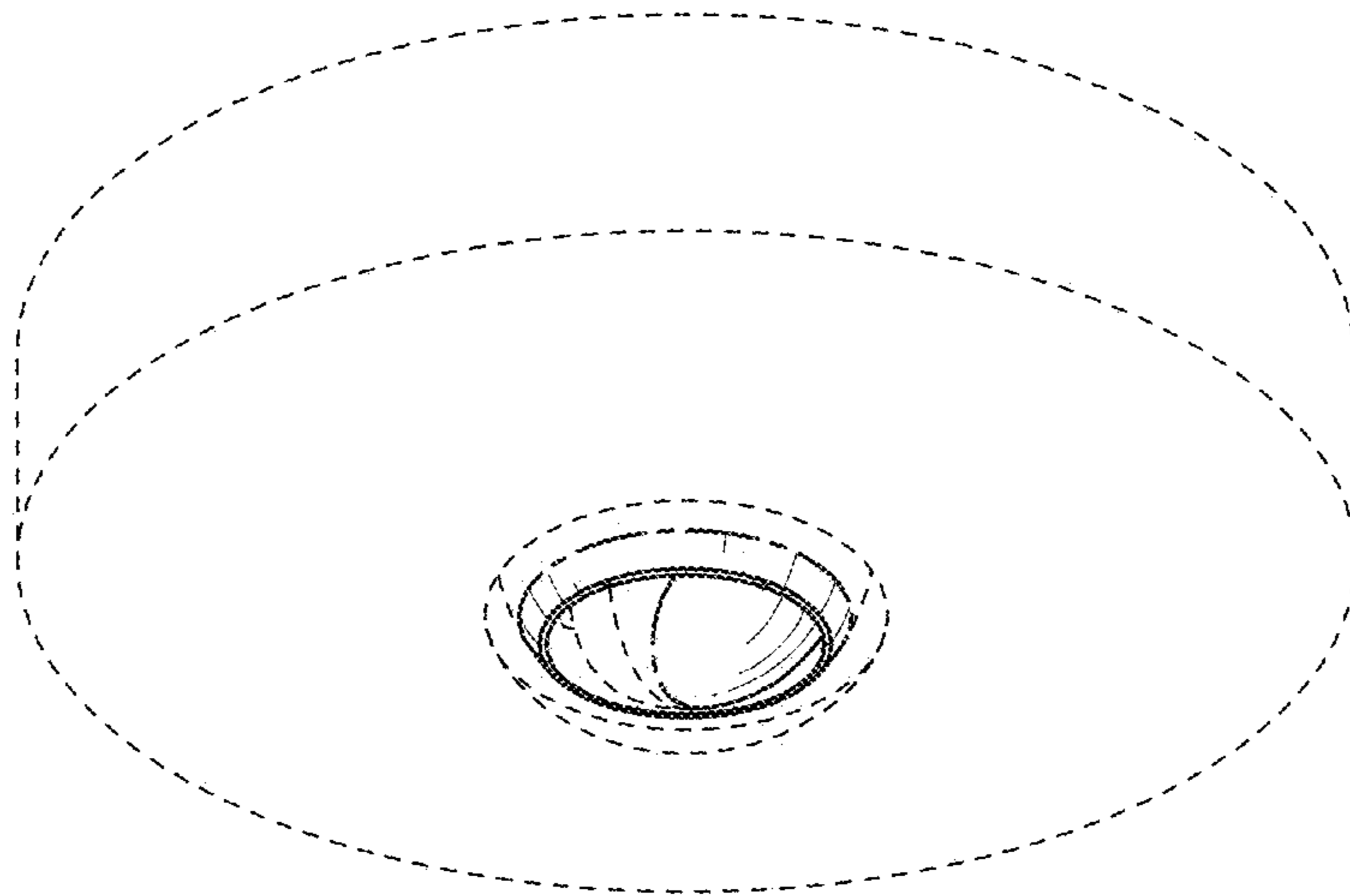


FIG.5

