



US00D756436S

(12) **United States Design Patent**
Ku

(10) **Patent No.:** **US D756,436 S**
(45) **Date of Patent:** **** May 17, 2016**

(54) **DASHBOARD CAMERA HOUSING**

(71) Applicant: **DOD Tech Co., Ltd.**, Jungli Taoyuan,
Taiwan (CN)

(72) Inventor: **Wen-Hua Ku**, Jungli (CN)

(73) Assignee: **DOD Tech Co., Ltd.**, Jungli Taoyuan
(TW)

(**) Term: **14 Years**

(21) Appl. No.: **29/523,945**

(22) Filed: **Apr. 15, 2015**

(51) **LOC (10) Cl.** **16-01**

(52) **U.S. Cl.**
USPC **D16/200; D16/218**

(58) **Field of Classification Search**
USPC D16/200, 202, 203, 204, 208, 209, 218;
348/373-374; 396/6, 535, 540, 541
CPC . H04N 5/2251; H04N 5/2252; H04N 5/2253;
H04N 5/2254; G03B 17/06

See application file for complete search history.

(56) **References Cited**

U.S. PATENT DOCUMENTS

D195,011 S *	4/1963	Matsumoto	D16/209
D421,268 S *	2/2000	Watanabe	D16/218
D458,620 S *	6/2002	Su	D16/202
D470,518 S *	2/2003	Su	D16/202
6,788,887 B2 *	9/2004	Takeshita	G03B 17/06 396/6
D624,106 S *	9/2010	Cho	D16/203
D724,642 S *	3/2015	Cho	D16/218

* cited by examiner

Primary Examiner — Adir Aronovich

(74) *Attorney, Agent, or Firm* — Collard & Roe, P.C.

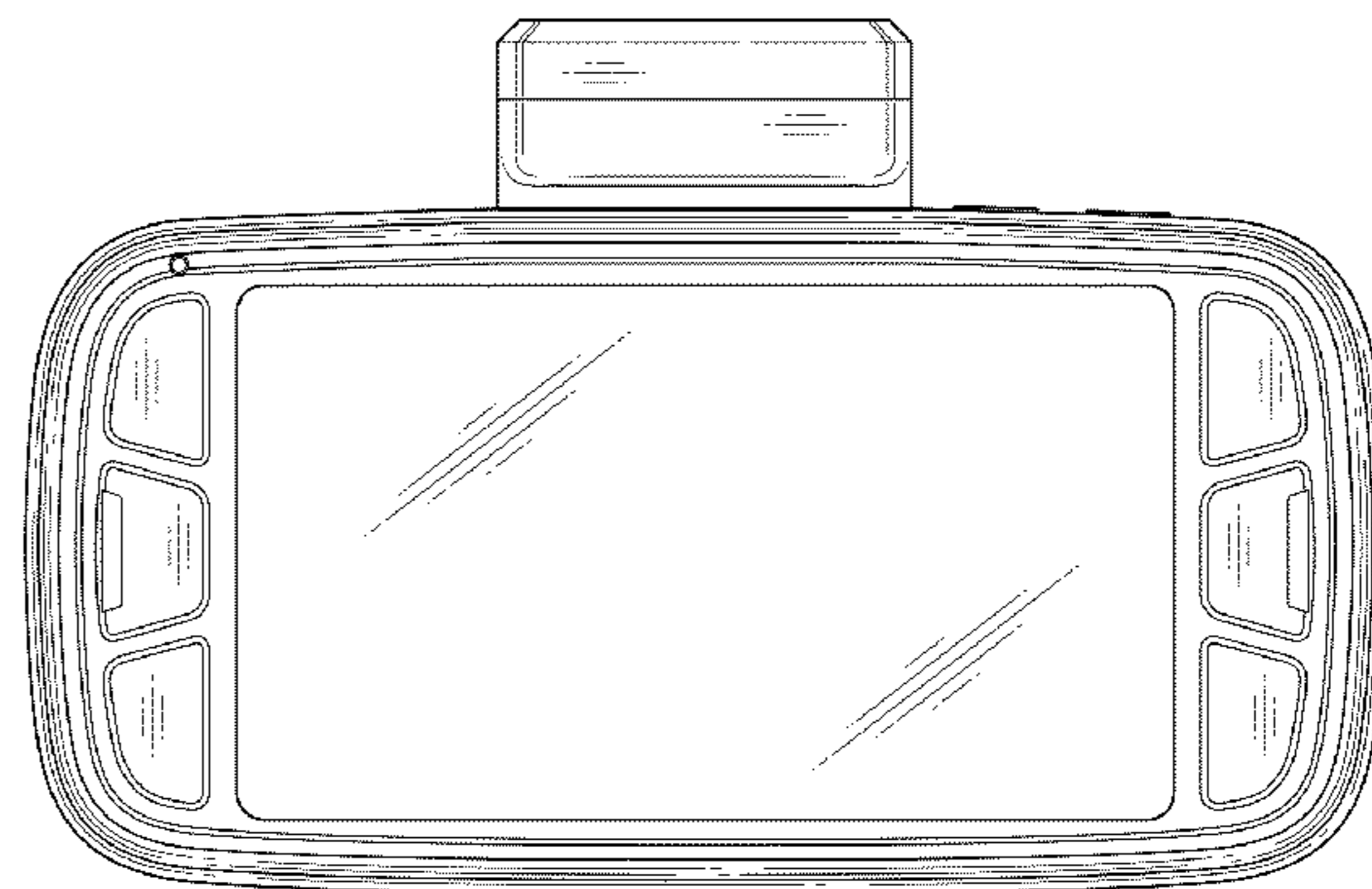
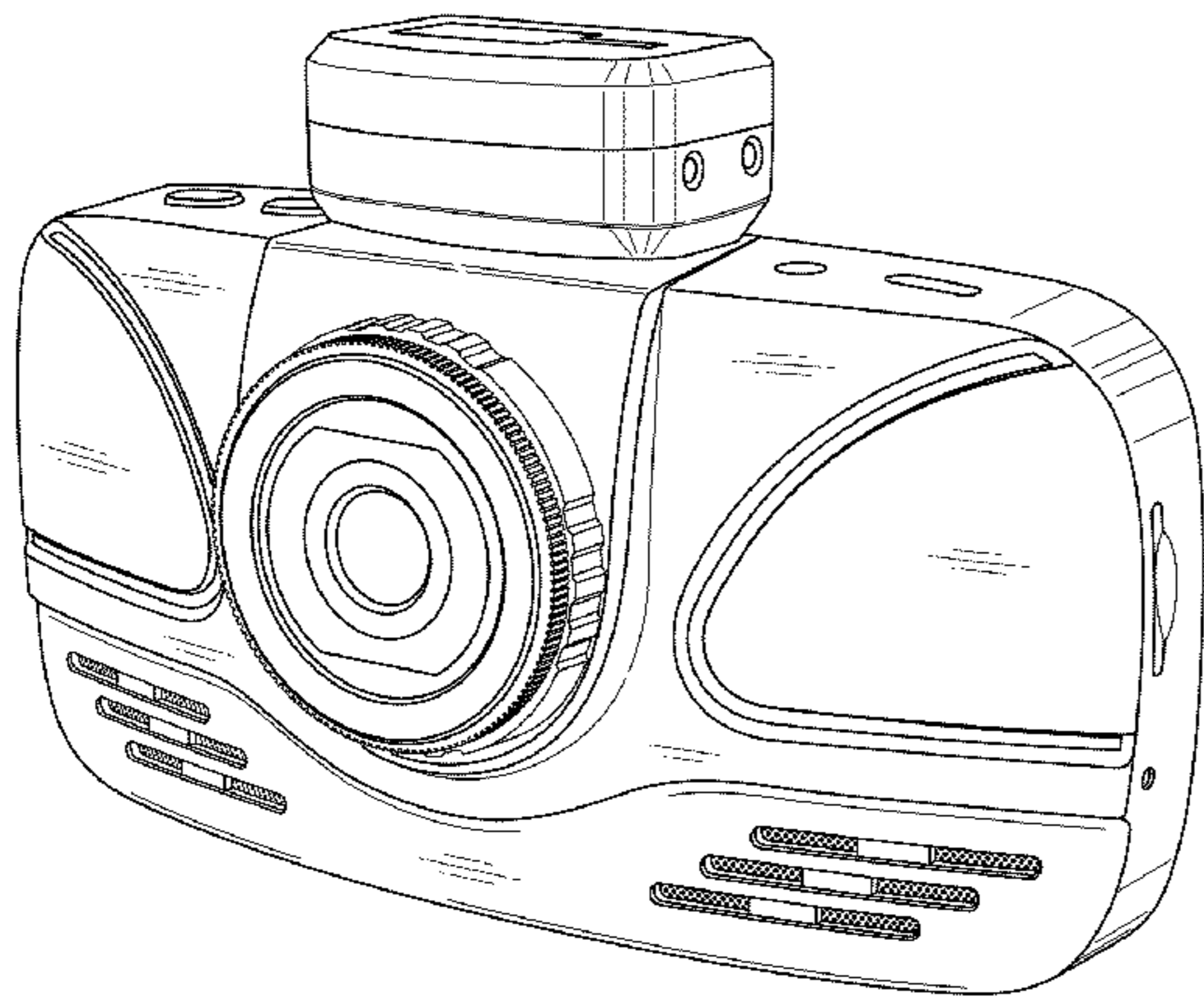
(57) **CLAIM**

The ornamental design for a dashboard camera housing, as shown and described.

DESCRIPTION

FIG. 1 is a front, top and right side perspective view of a dashboard camera housing, showing my new design;
FIG. 2 is front elevational view thereof;
FIG. 3 is a left side elevational view thereof;
FIG. 4 is a right side elevational view thereof;
FIG. 5 is a top plan view thereof;
FIG. 6 is a bottom plan view thereof; and,
FIG. 7 is a rear elevational view thereof.

1 Claim, 4 Drawing Sheets



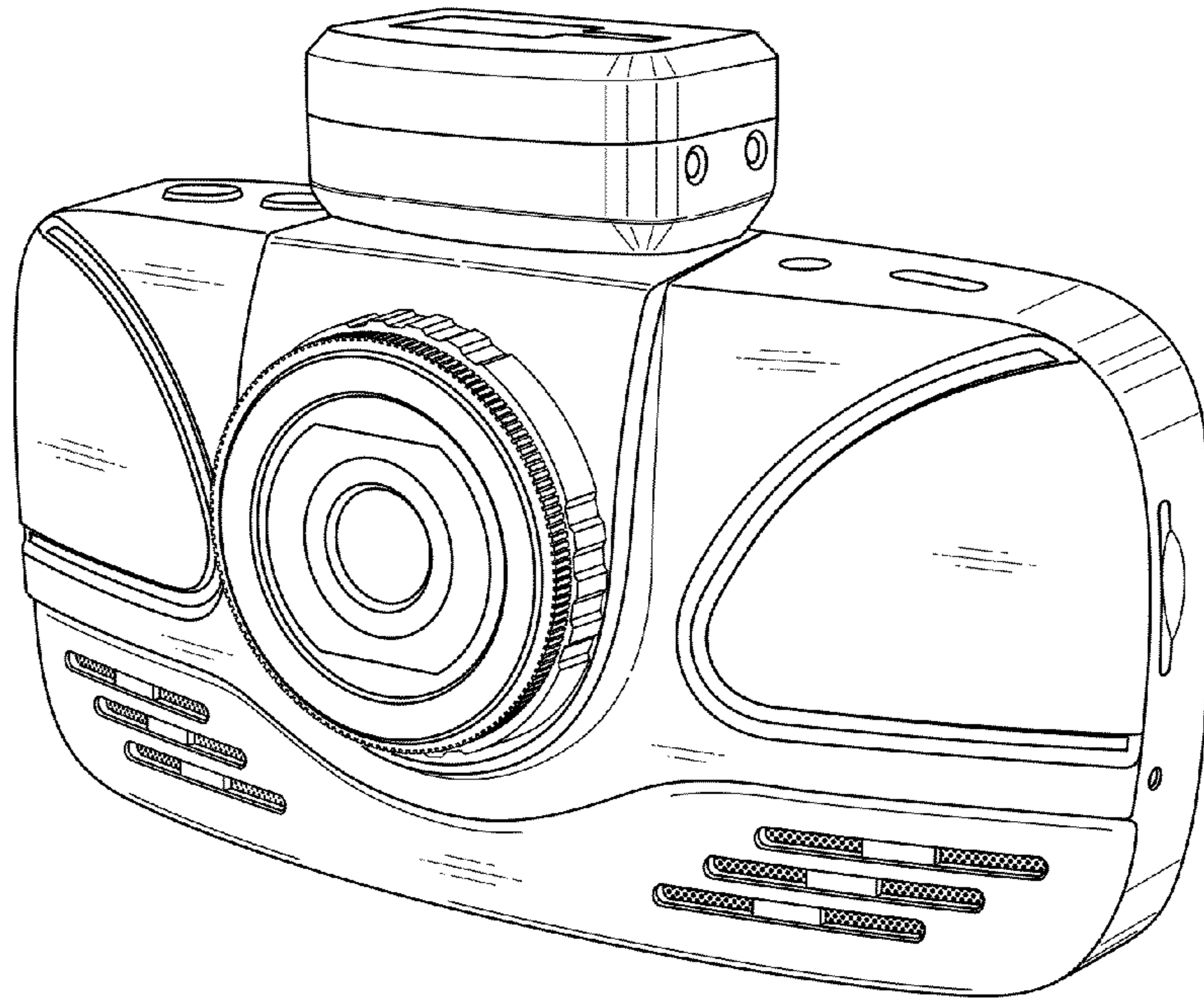


FIG. 1

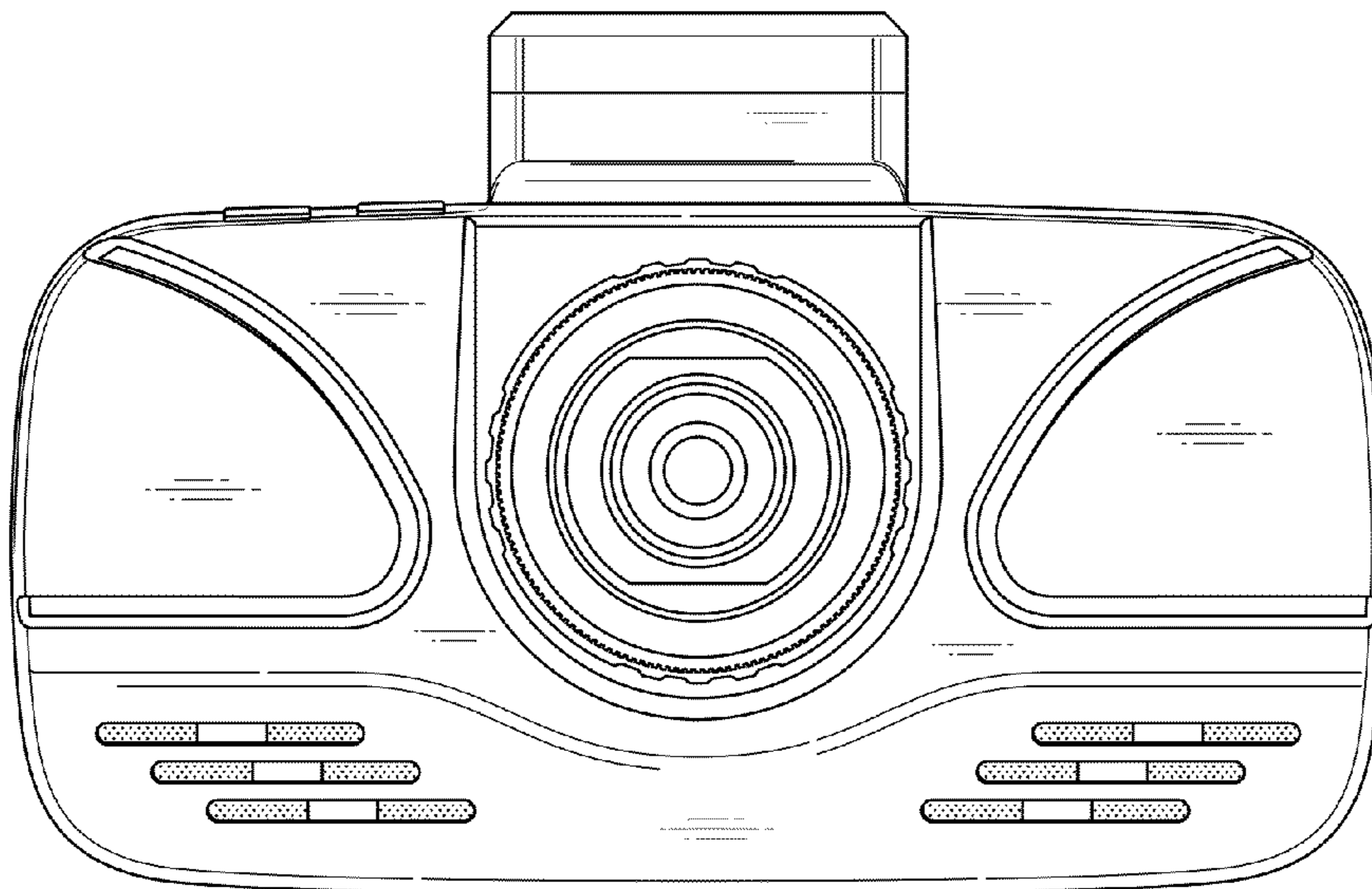


FIG. 2

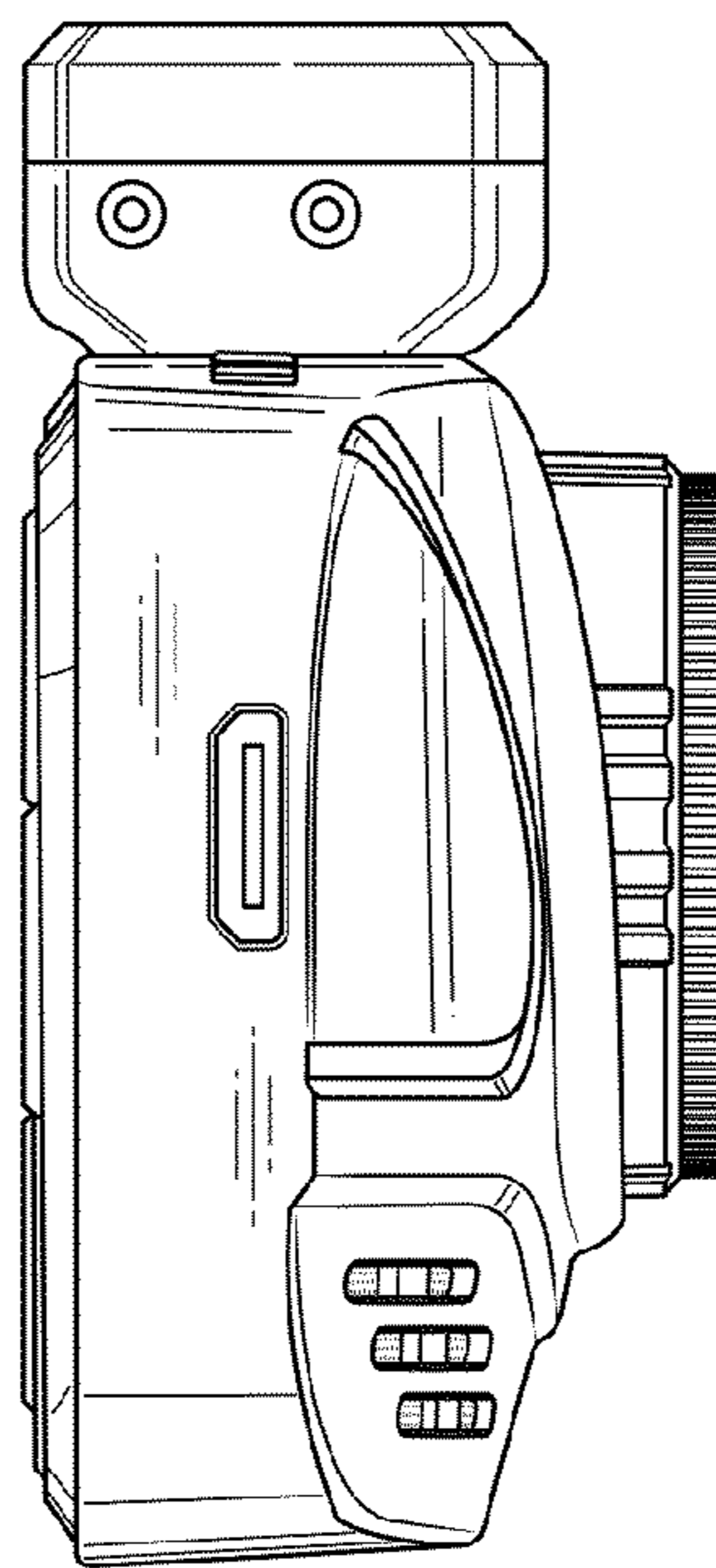


FIG. 3

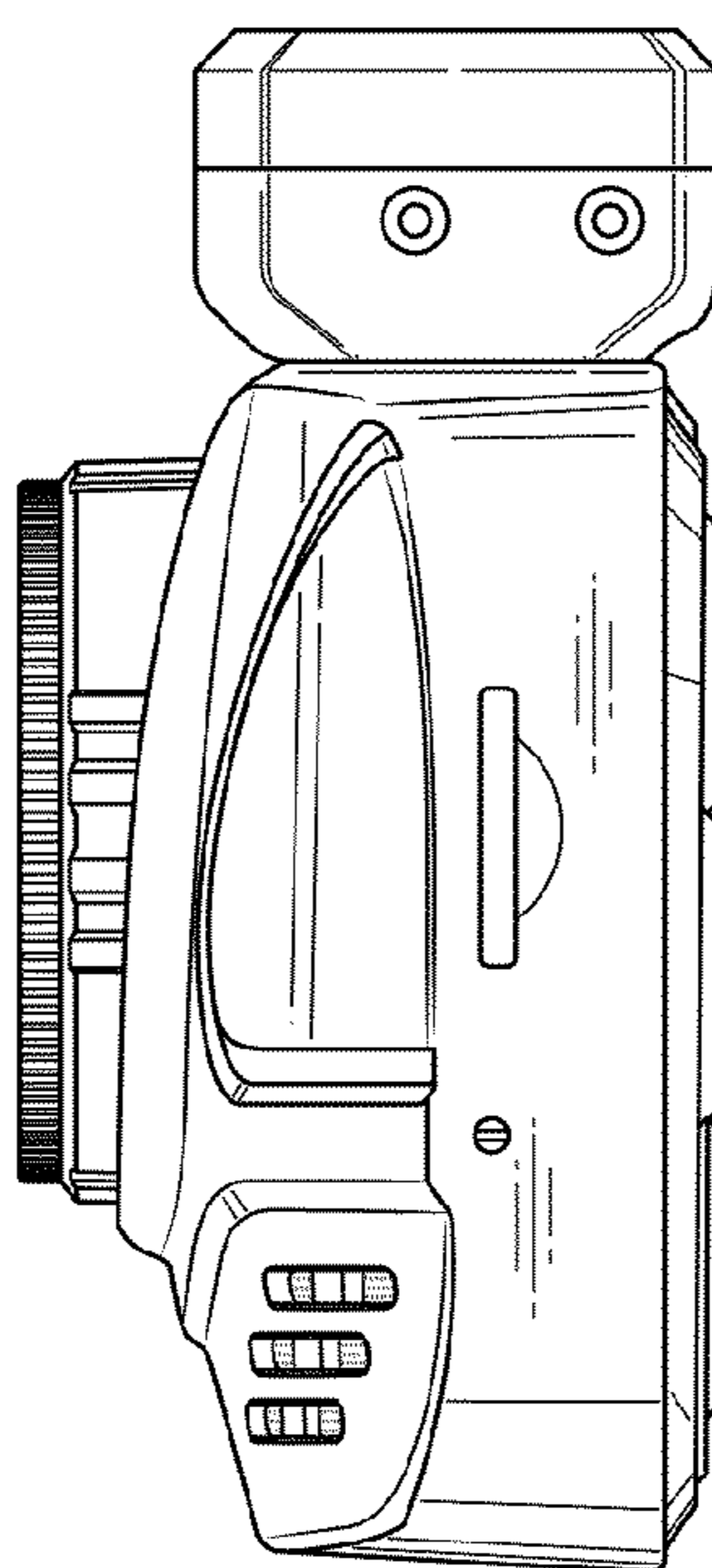


FIG. 4

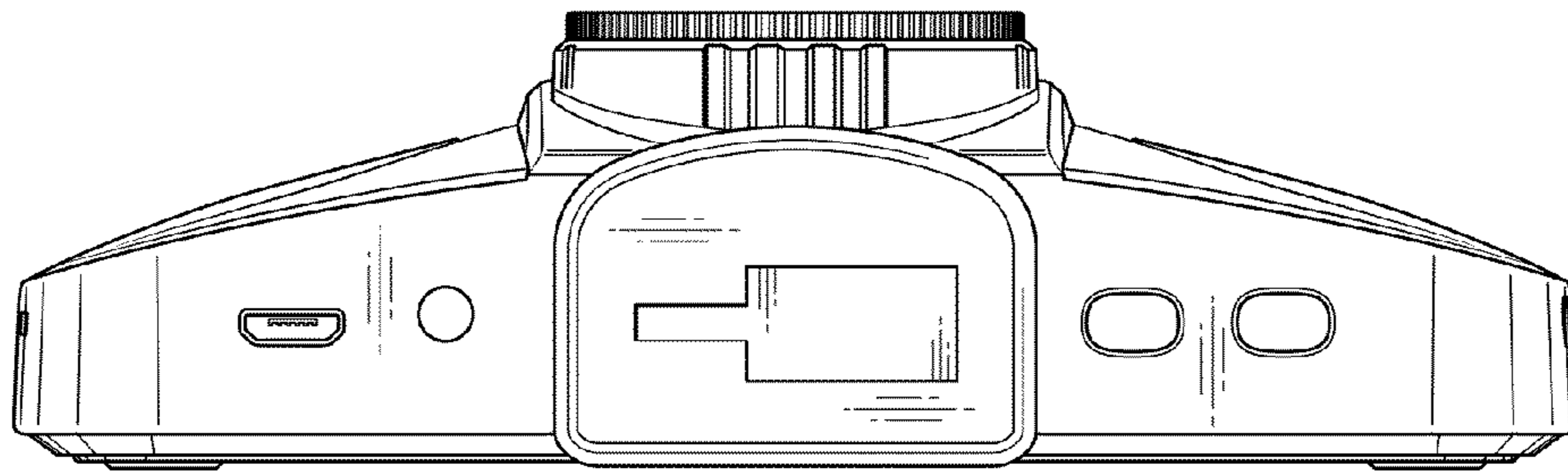


FIG. 5

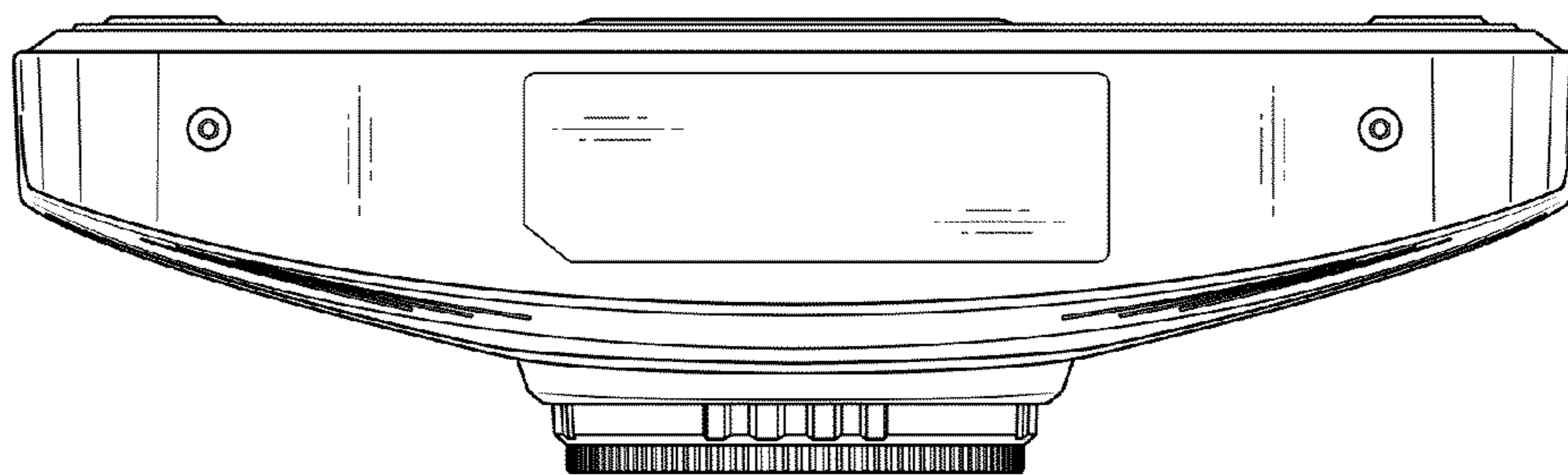


FIG. 6

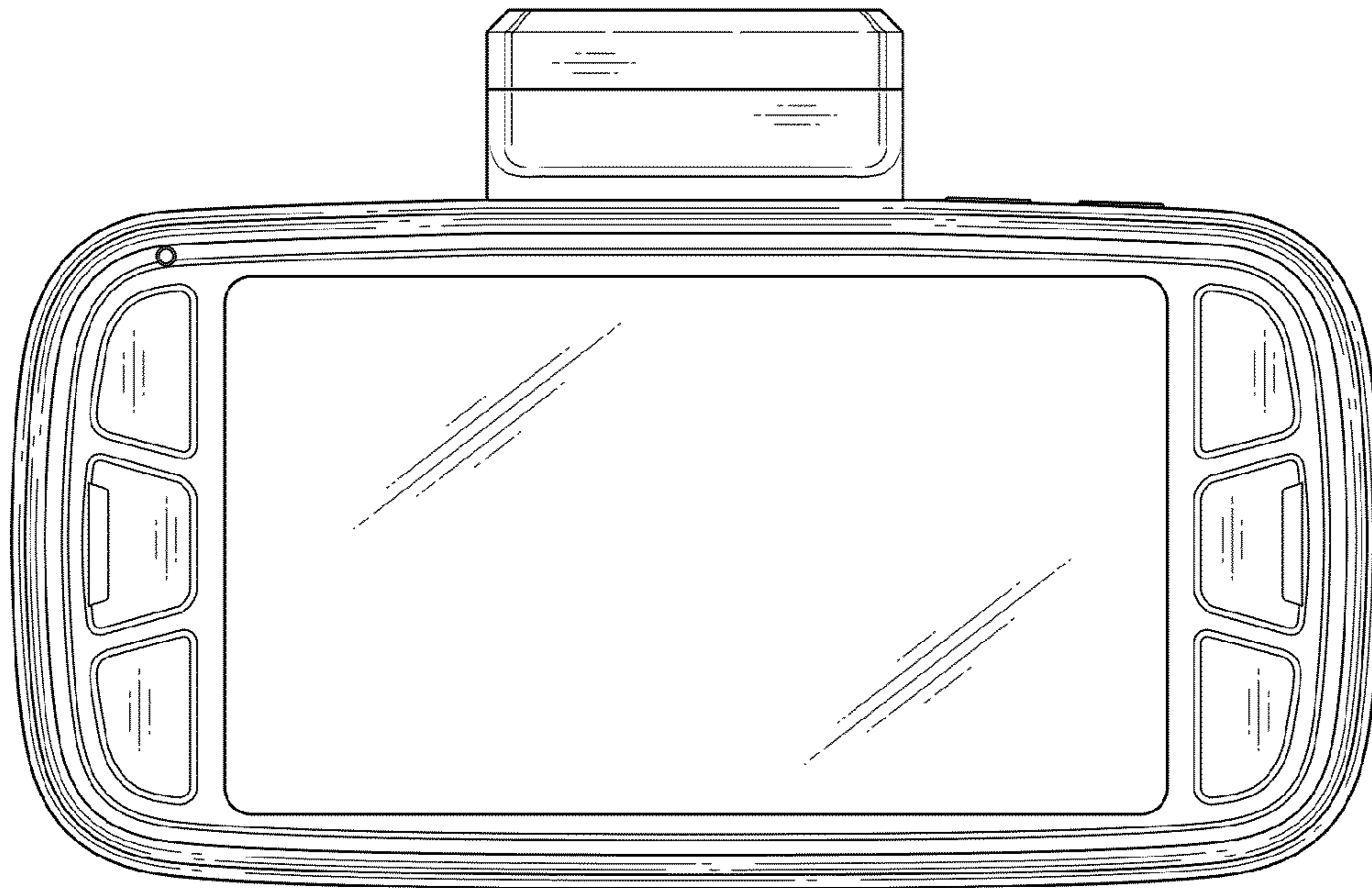


FIG. 7