



US00D756435S

(12) **United States Design Patent**
Duncan et al.

(10) **Patent No.:** **US D756,435 S**

(45) **Date of Patent:** **** May 17, 2016**

(54) **CAMERA HOUSING WITH CAMERA**

(71) Applicant: **Rapid International, Inc.**, San Francisco, CA (US)

(72) Inventors: **Connor J. Duncan**, San Francisco, CA (US); **Daniel S. Fuhrman**, Ketchum, ID (US); **John M. Prosser**, Mays Hill (AU); **Eric Andrew Dobbie**, Ketchum, ID (US)

(73) Assignee: **MOHOC, Inc.**, San Francisco, CA (US)

(**) Term: **14 Years**

(21) Appl. No.: **29/491,186**

(22) Filed: **May 19, 2014**

(51) **LOC (10) Cl.** **16-01**

(52) **U.S. Cl.**
USPC **D16/200**

(58) **Field of Classification Search**
USPC D16/200–204, 208, 218, 219; 348/143, 348/148, 151, 373–376; 358/906; 396/419, 396/427, 428, 537–541
CPC G03B 15/03; G03B 17/02; G03B 17/04; G03B 17/48; G03B 17/56; G03B 19/04; G08G 1/0175; H04N 5/2251; H04N 5/2252; H04N 5/2253; H04N 5/2254; H04N 2101/00
See application file for complete search history.

(56) **References Cited**

U.S. PATENT DOCUMENTS

D339,149 S * 9/1993 Nakamura et al. D16/202
D366,270 S * 1/1996 Hasegawa D16/203

D366,271 S * 1/1996 Hasegawa D16/203
D367,488 S * 2/1996 Takano et al. D16/202
D390,858 S * 2/1998 Wen D16/202
D433,046 S * 10/2000 Hall et al. D16/202
D551,275 S * 9/2007 Kim D16/203
D558,811 S * 1/2008 Higgins et al. D16/203
D672,382 S * 12/2012 Zeinoun et al. D16/203
D686,267 S * 7/2013 Mihara et al. D16/202
D691,646 S * 10/2013 Bergstrom et al. D16/203
D700,231 S * 2/2014 Berkmortel D16/203
D705,843 S * 5/2014 Kawai D16/202

* cited by examiner

Primary Examiner — Philip S Hyder

Assistant Examiner — Ramzi Almatrahi

(74) *Attorney, Agent, or Firm* — King IP Law; Joshua King

(57) **CLAIM**

The ornamental design for a camera housing with camera, as shown and described.

DESCRIPTION

FIG. 1 is a top, front and right side isometric view of a camera housing with camera.

FIG. 2 is a top, rear and right side isometric view thereof.

FIG. 3 is a bottom, front and left side isometric view thereof.

FIG. 4 is a front elevational view thereof.

FIG. 5 is a rear elevational view thereof.

FIG. 6 is a right side elevational view thereof.

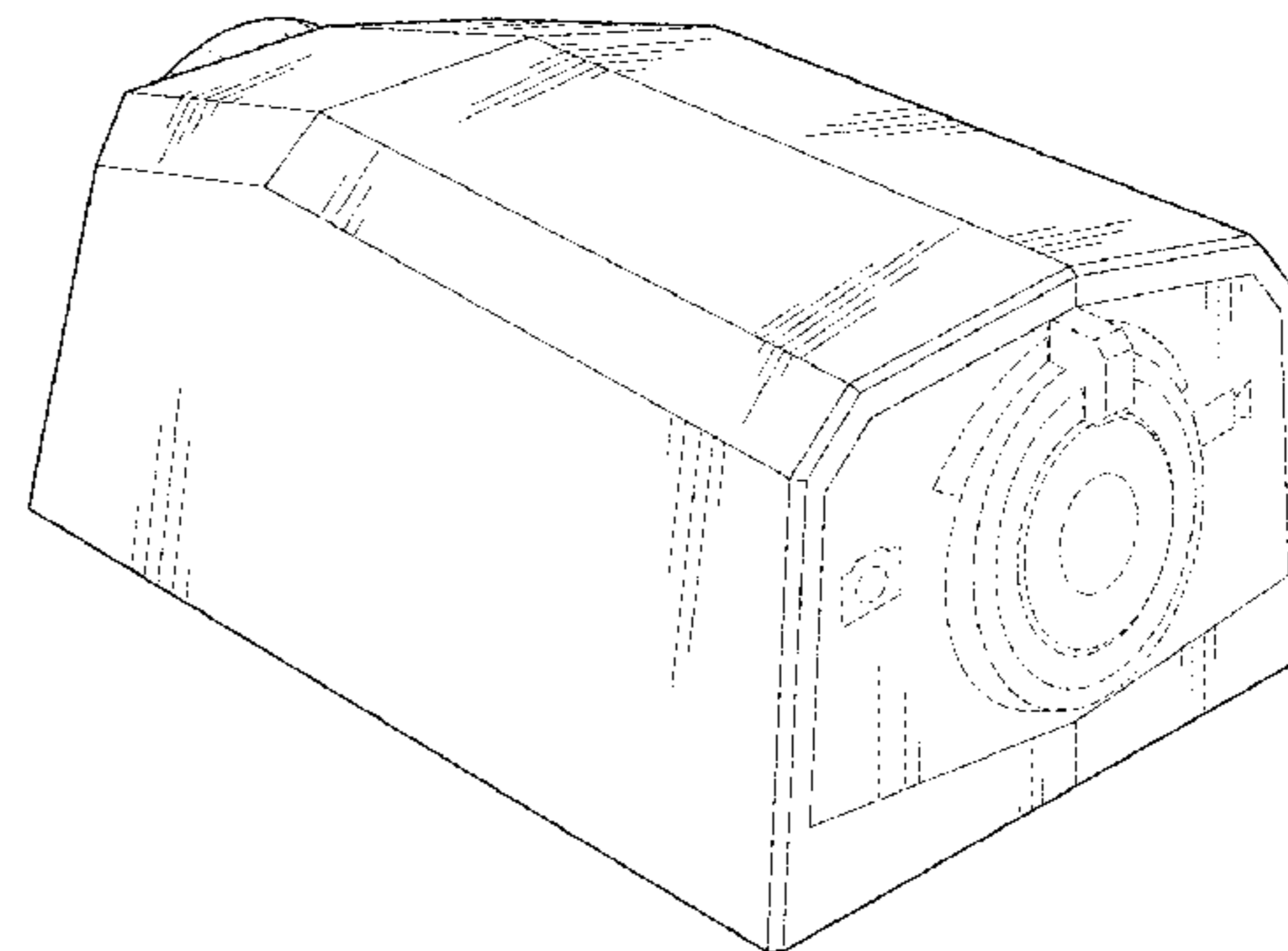
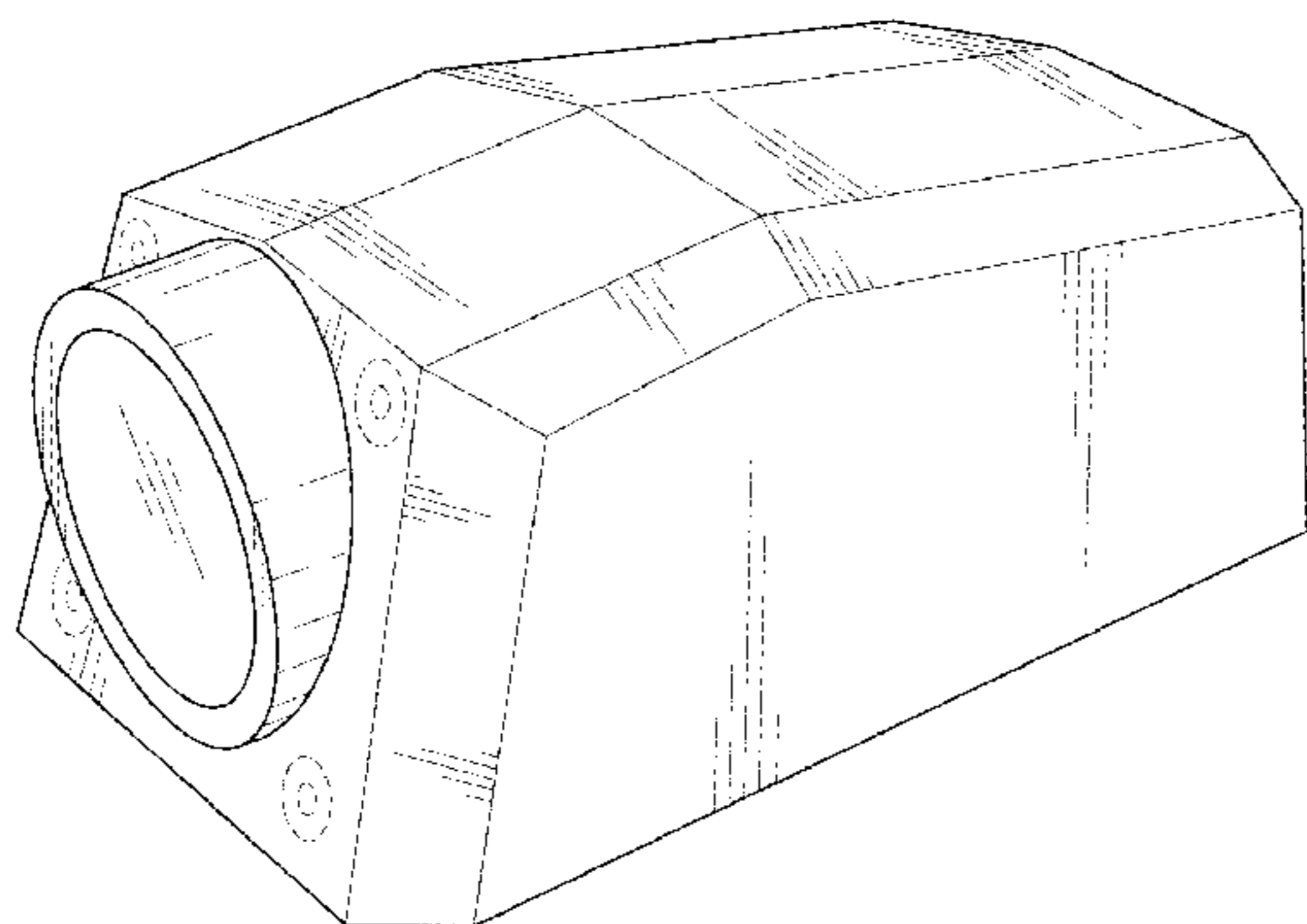
FIG. 7 is a left side elevational view thereof.

FIG. 8 is a bottom plan view thereof; and,

FIG. 9 is a top plan view thereof.

The broken lines depict portions of the camera housing with camera in which the design is embodied that form no part of the claimed design.

1 Claim, 4 Drawing Sheets



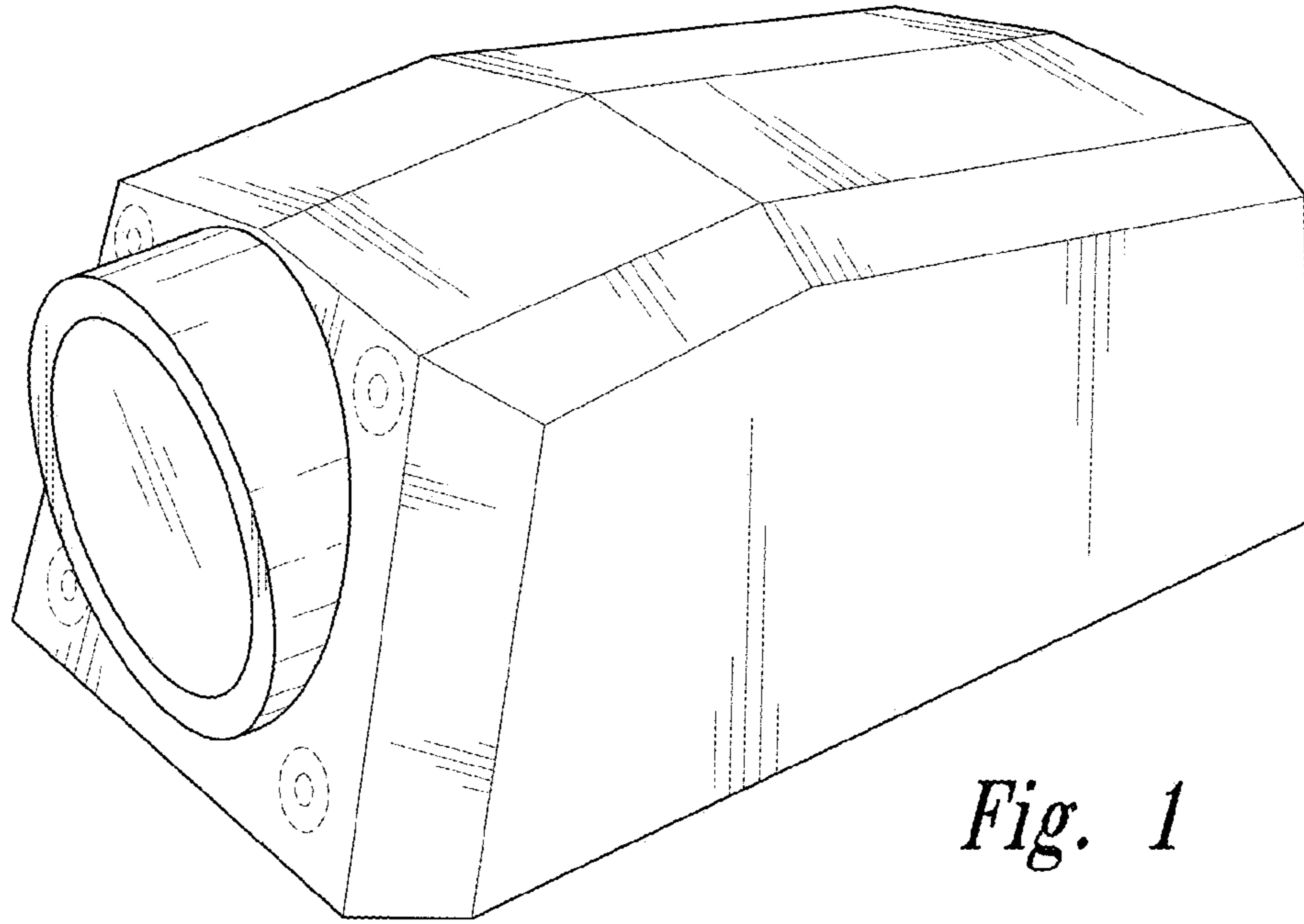


Fig. 1

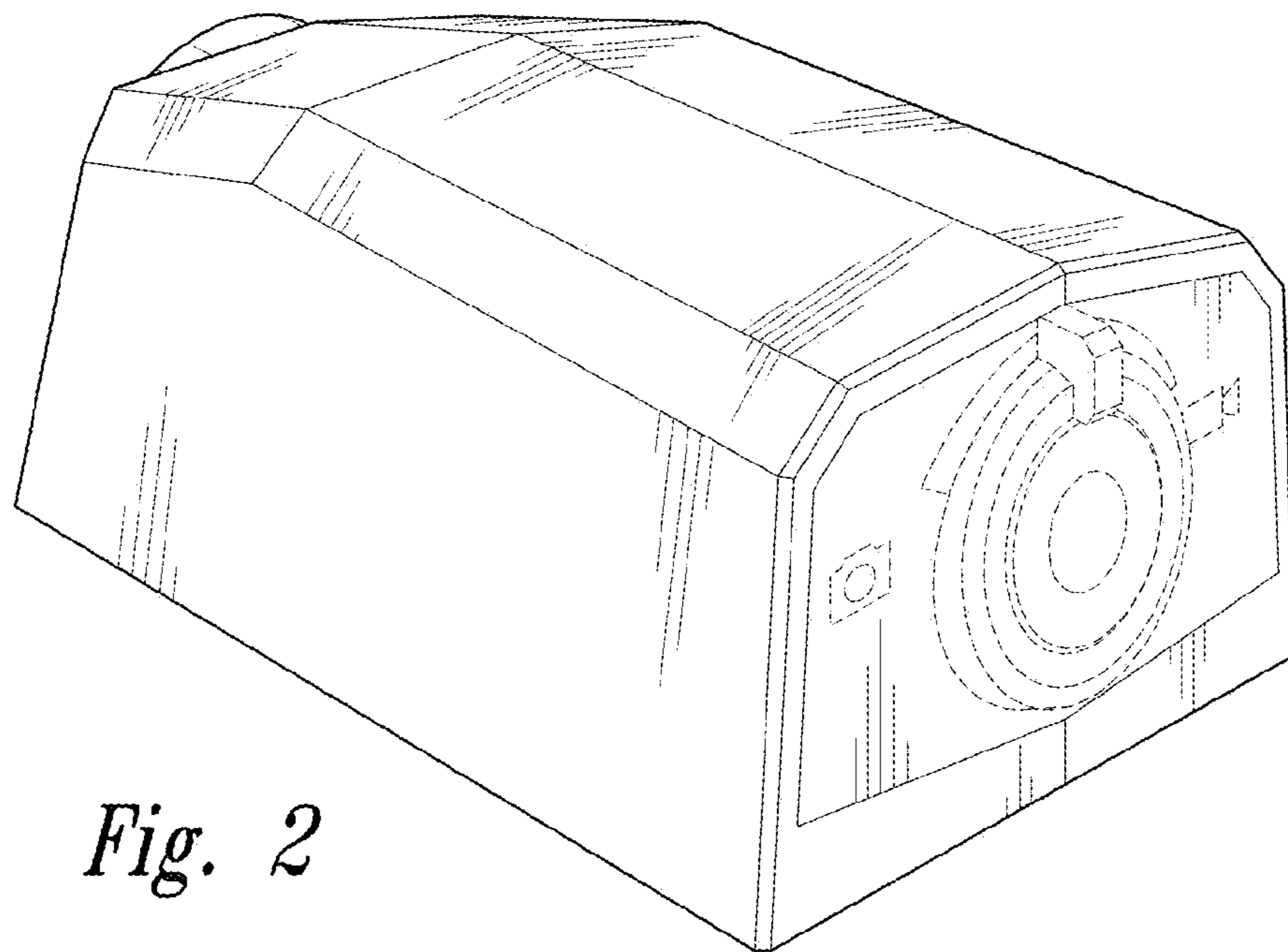


Fig. 2

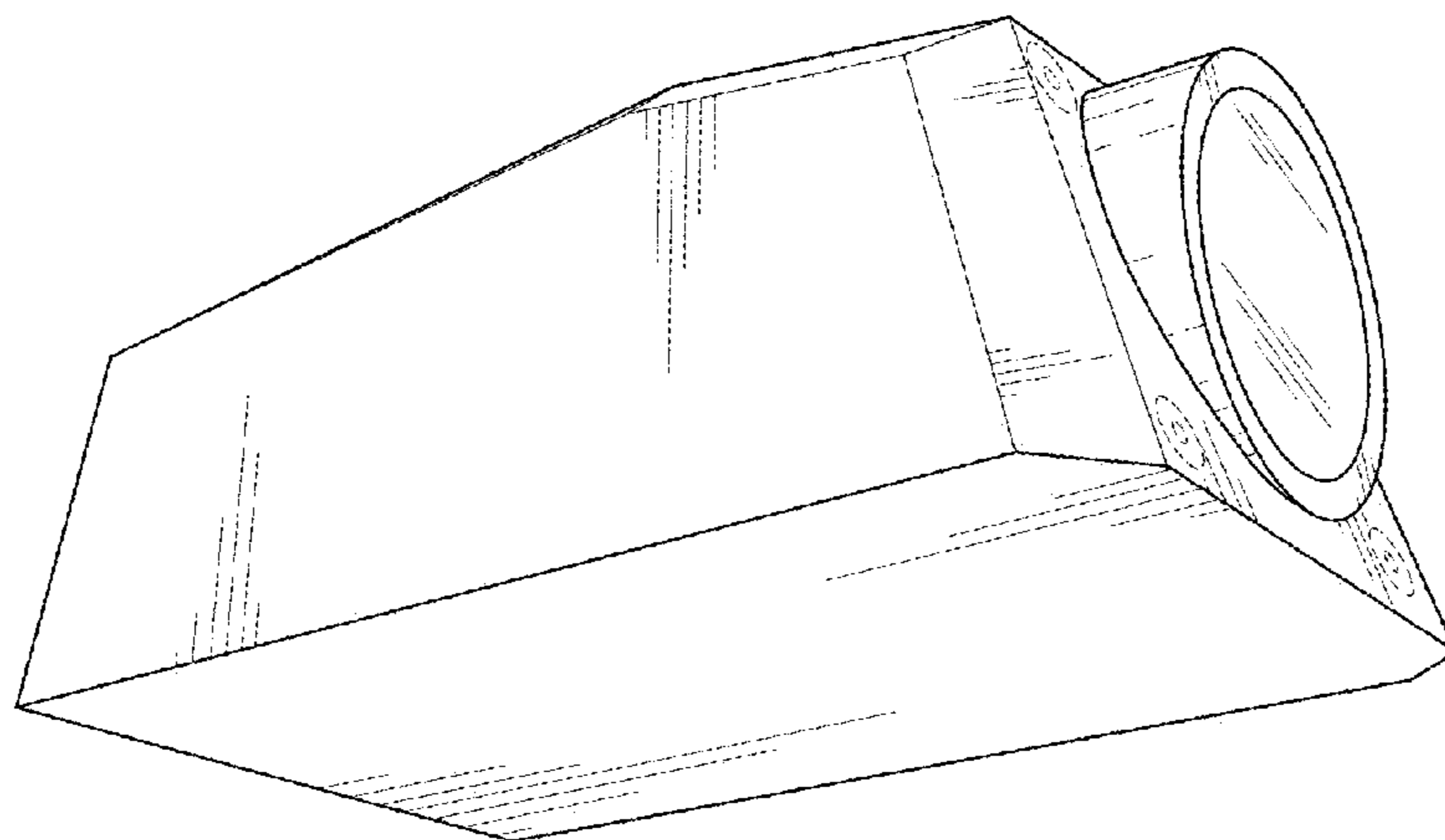


Fig. 3

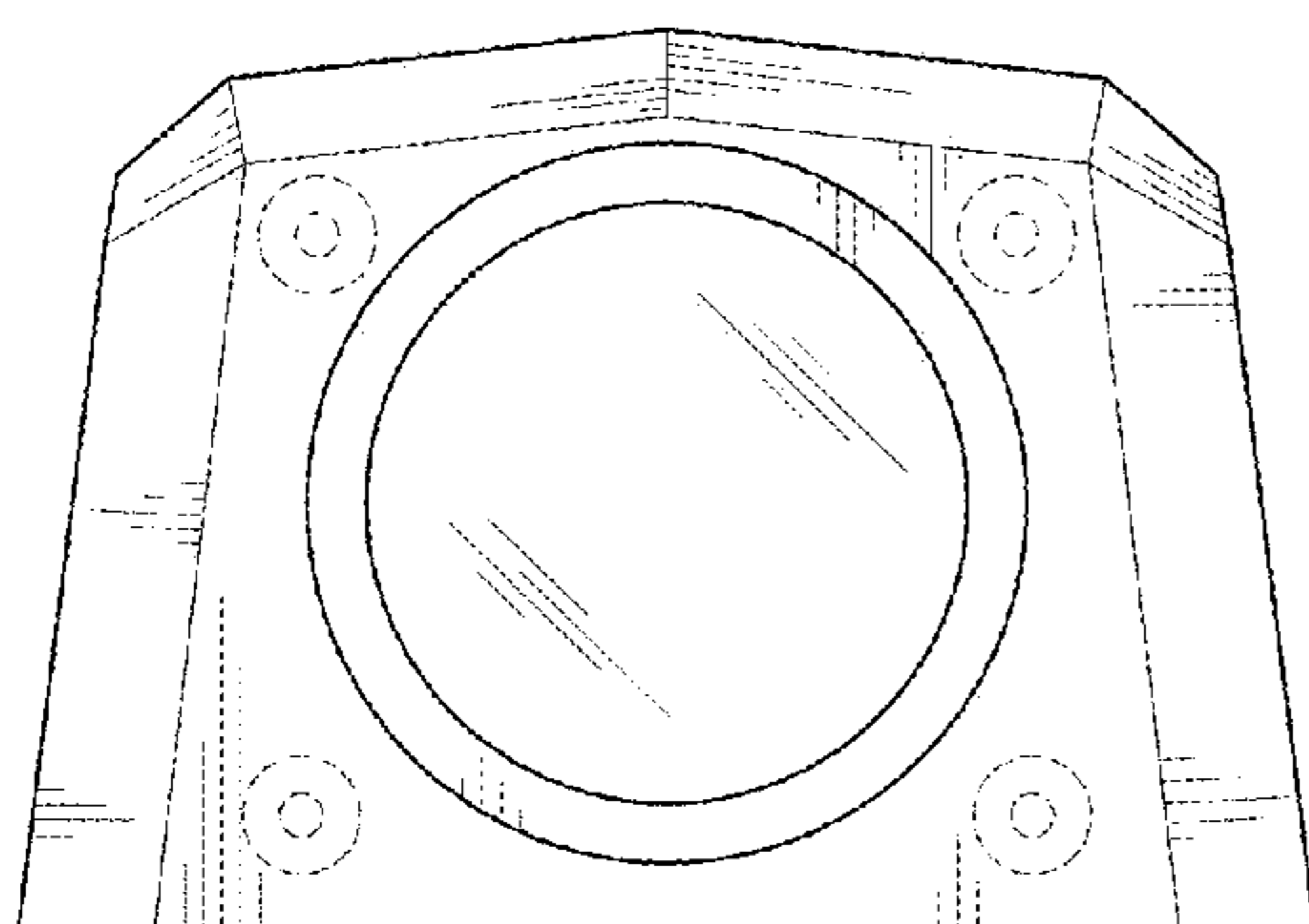


Fig. 4

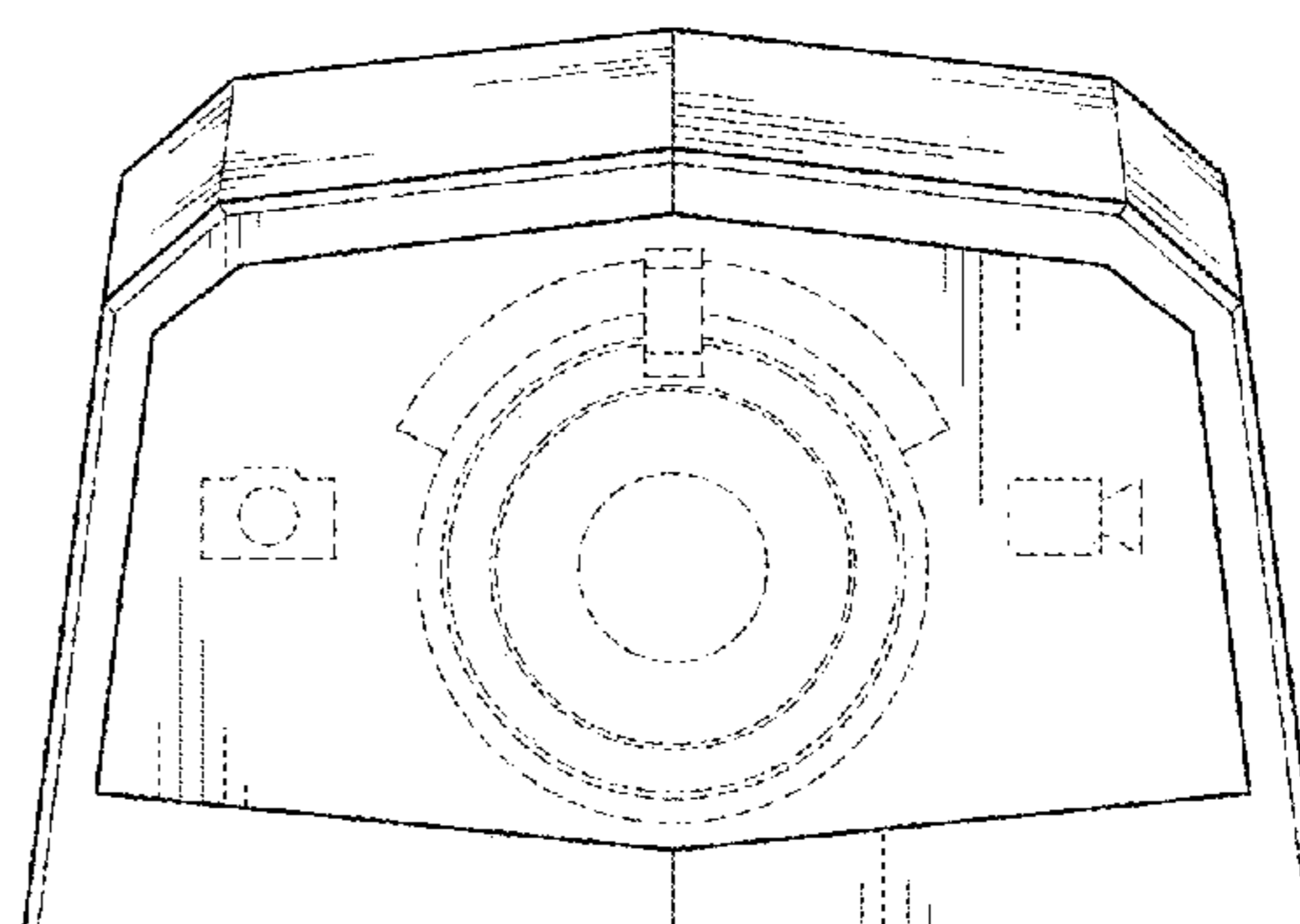


Fig. 5

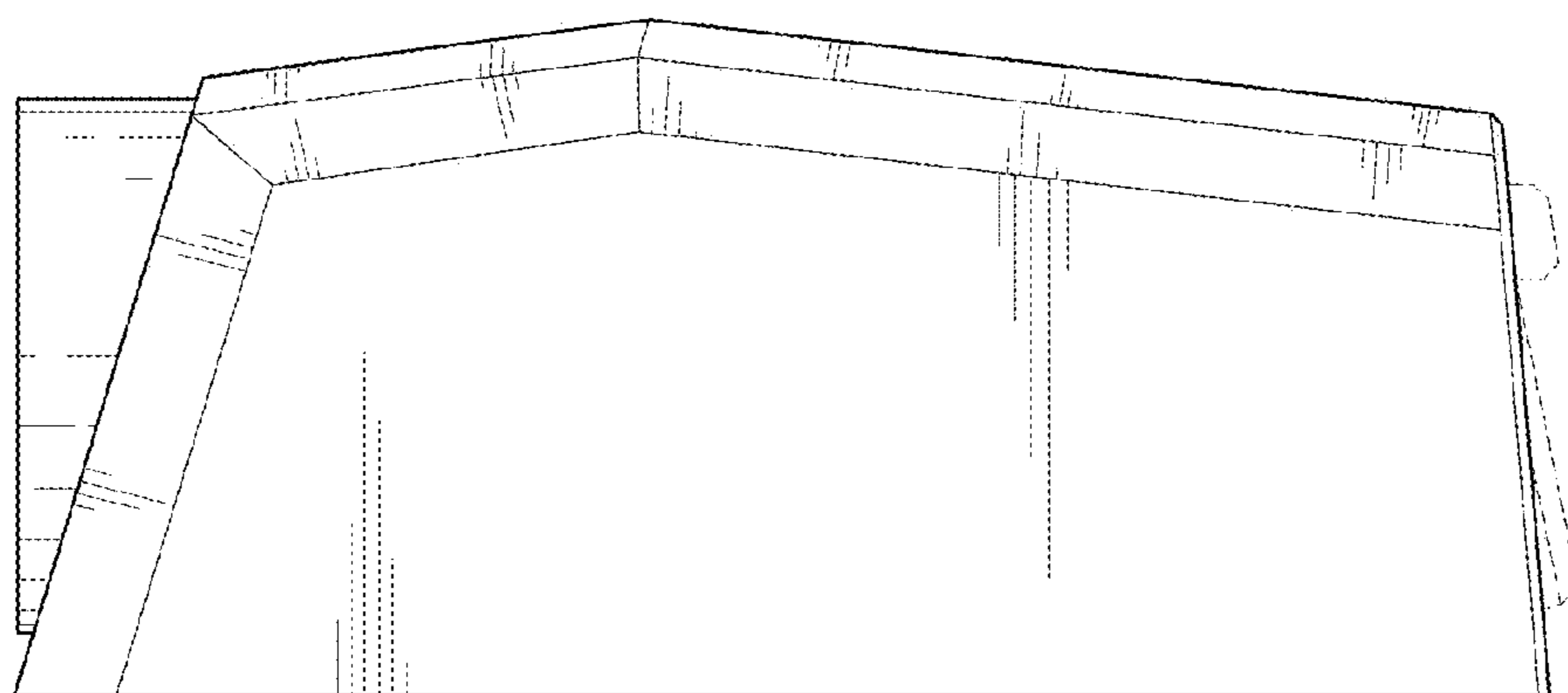


Fig. 6

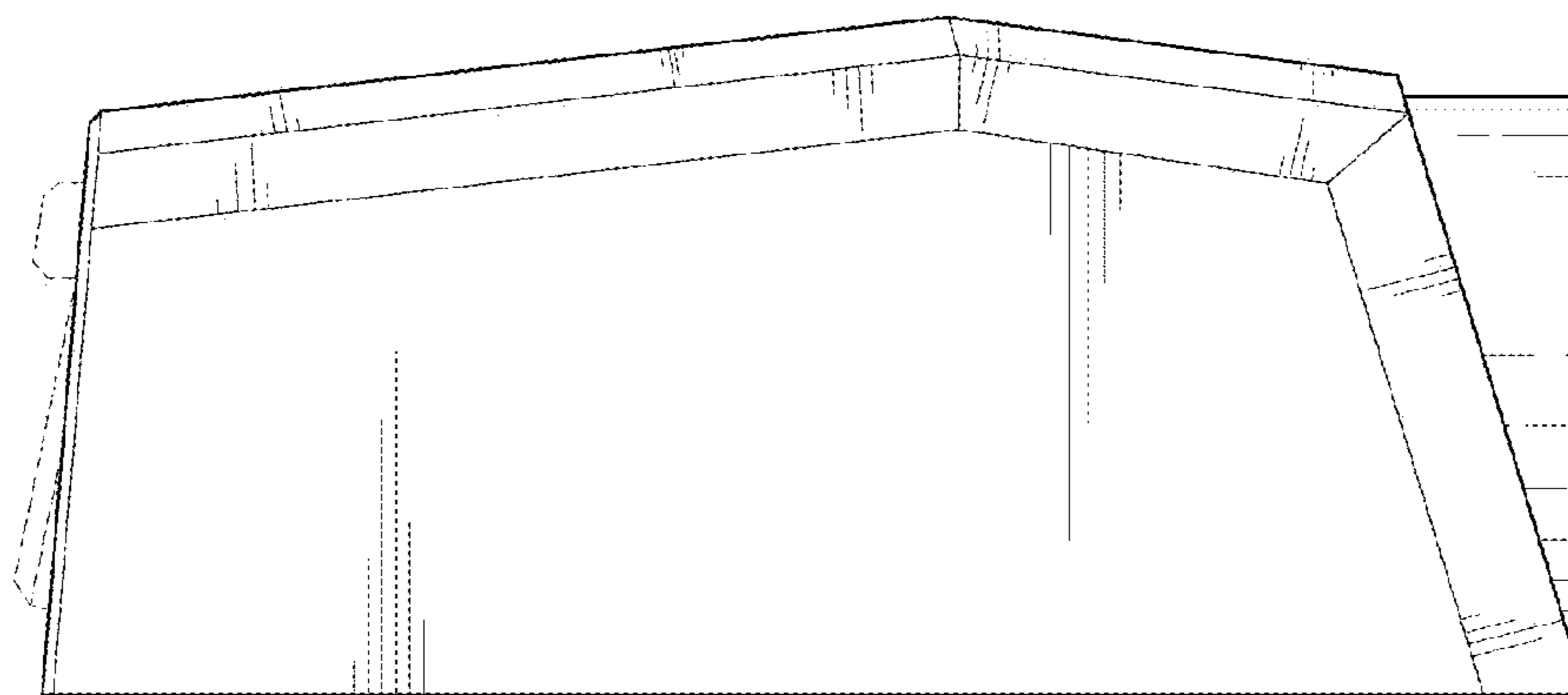


Fig. 7

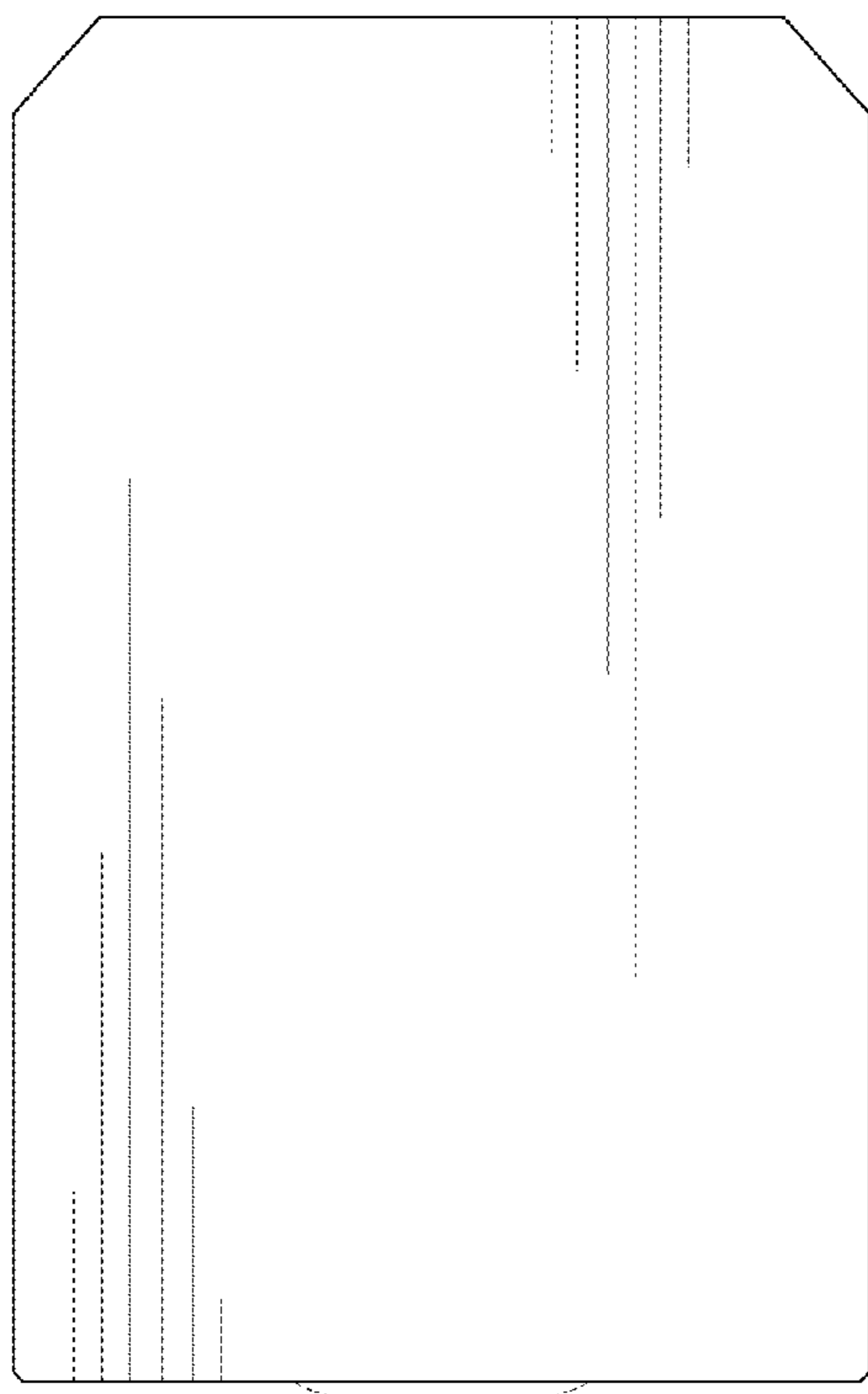


Fig. 8

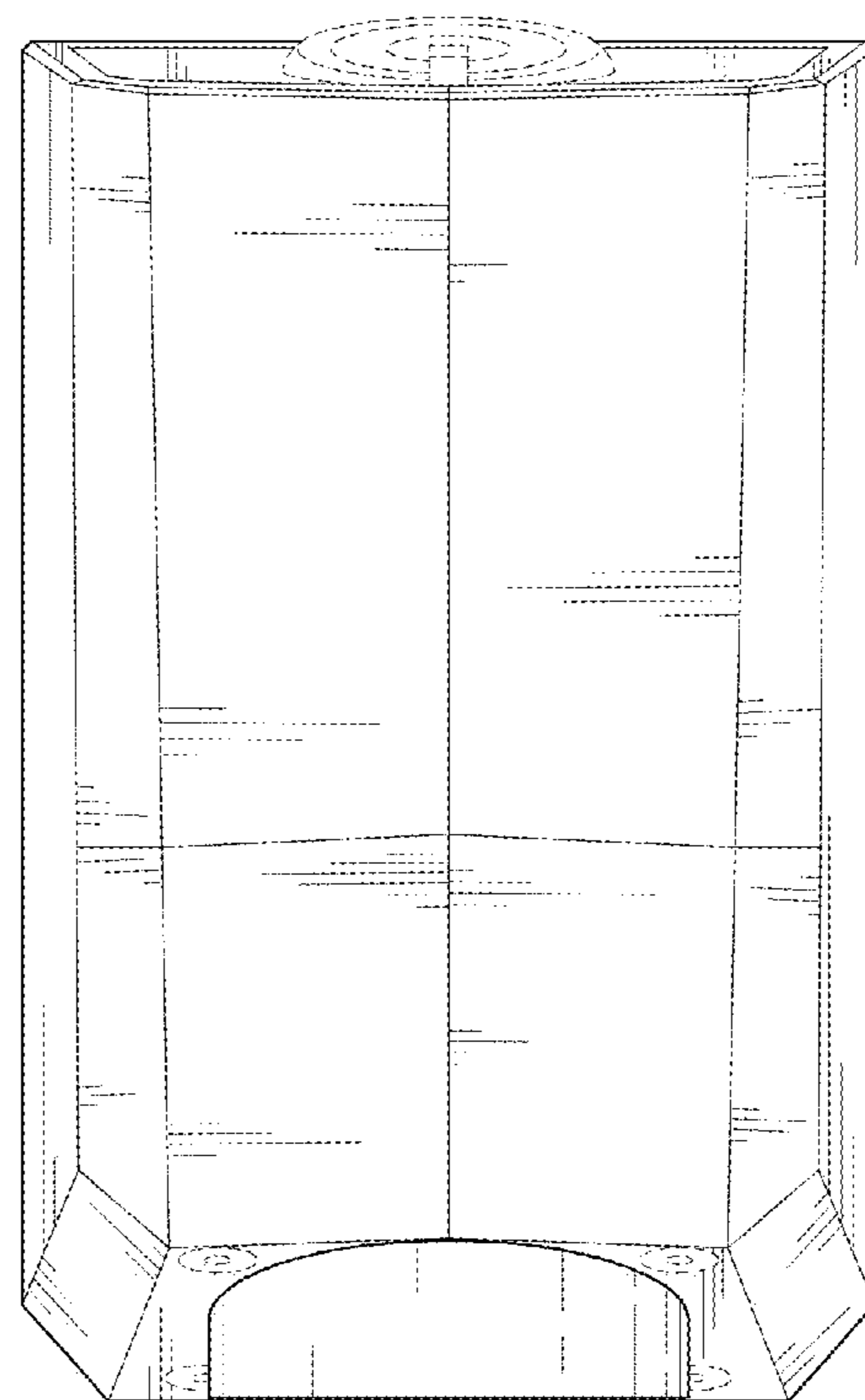


Fig. 9