



US00D756430S

(12) **United States Design Patent**
Park

(10) **Patent No.:** **US D756,430 S**
(45) **Date of Patent:** **** May 17, 2016**

(54) **DRILL HEAD**
(71) Applicant: **TAEGUTECH, LTD.**, Daegu (KR)
(72) Inventor: **Keun Young Park**, Daegu (KR)
(73) Assignee: **TaeguTec, Ltd.**, Dalseong-gun, Daegu (KR)
(**) Term: **14 Years**
(21) Appl. No.: **29/517,587**
(22) Filed: **Feb. 13, 2015**
(51) **LOC (10) Cl.** **15-09**
(52) **U.S. Cl.**
USPC **D15/139**
(58) **Field of Classification Search**
USPC D15/124-144, 11, 19, 28-32;
D8/16-20; 409/137, 139-140;
D32/46-49; 299/39.2
CPC E01C 23/088; Y10T 407/23; B23B 51/02;
B23B 51/048; B23C 5/2221; B23C 5/109
See application file for complete search history.

8,021,088 B2 9/2011 Hecht
D649,988 S * 12/2011 Frejd D15/139
8,556,552 B2 10/2013 Hecht
8,876,446 B2 11/2014 Shaheen
D724,636 S * 3/2015 Jones D15/131
2003/0223832 A1* 12/2003 Roman B23B 27/145
408/224
2005/0098359 A1 5/2005 Lee
2005/0133487 A1* 6/2005 Nystrom B23B 51/02
219/121.64
2005/0260046 A1 11/2005 Hecht et al.
2010/0143059 A1 6/2010 Hecht
2011/0150583 A1* 6/2011 Engstrom B23C 5/06
407/40
2011/0305532 A1* 12/2011 Harif B23C 5/06
407/40
2012/0003056 A1 1/2012 Jaeger
2012/0155978 A1 6/2012 Osawa et al.
2013/0129432 A1* 5/2013 Jaeger B23C 5/207
407/42
2013/0259590 A1 10/2013 Shaheen
2013/0266389 A1 10/2013 Hecht
2014/0147224 A1 5/2014 Hecht

(Continued)

Primary Examiner — Susan Bennett Hattan
Assistant Examiner — Brett Miller
(74) *Attorney, Agent, or Firm* — Womble Carlyle Sandridge & Rice, LLP

(56) **References Cited**
U.S. PATENT DOCUMENTS

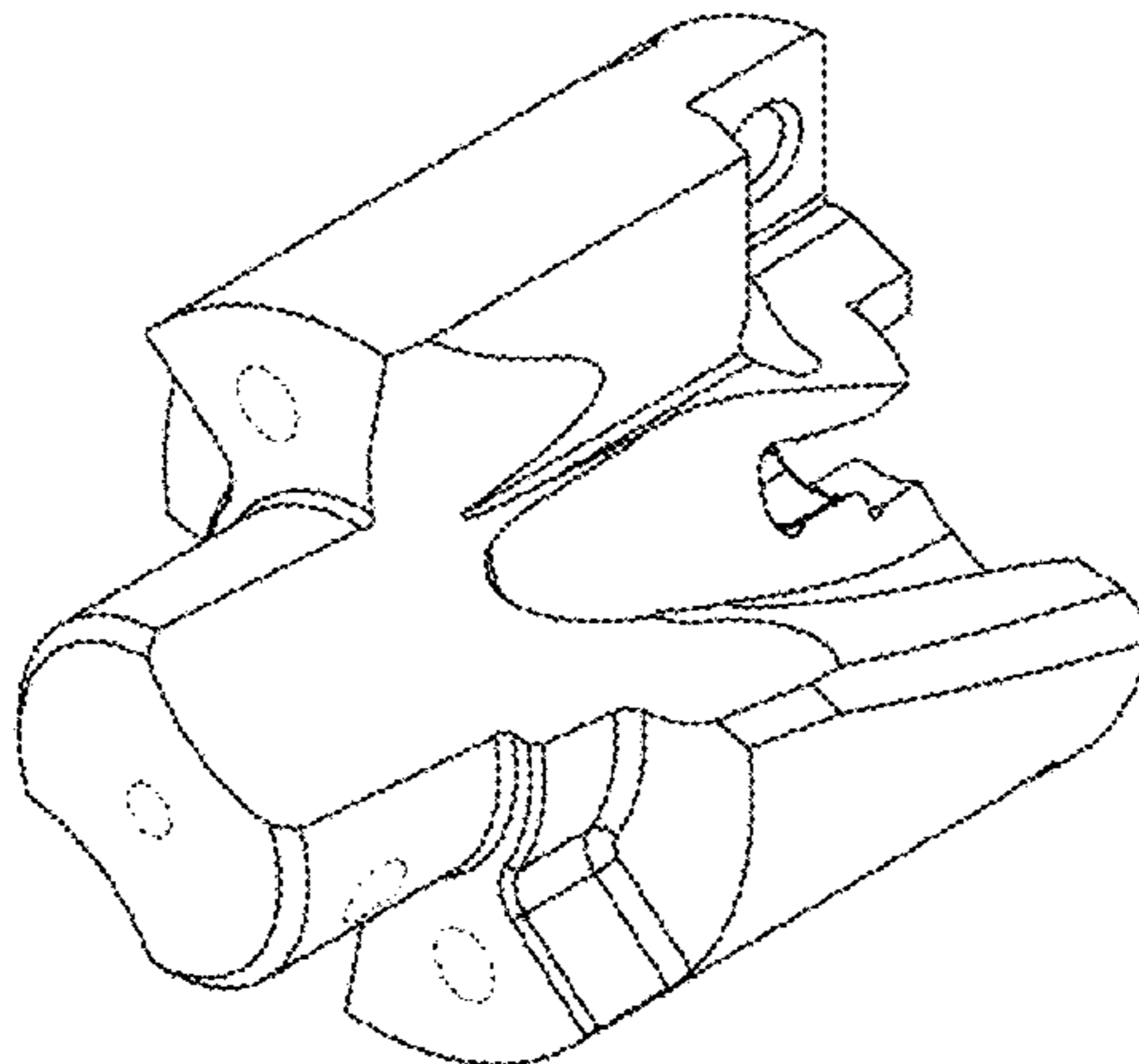
D273,388 S * 4/1984 Lassiter D15/139
D273,389 S * 4/1984 Lassiter D15/139
4,648,760 A * 3/1987 Karlsson B23B 51/048
407/113
4,946,318 A * 8/1990 David B23C 5/2213
407/114
5,800,100 A * 9/1998 Krenzer B23B 51/048
407/113
5,957,631 A 9/1999 Hecht
D438,550 S * 3/2001 Uhlig D15/139
6,948,891 B2* 9/2005 Roman B23B 51/048
407/113
D537,091 S * 2/2007 Yanagimoto D15/139
RE40,297 E 5/2008 Berglund et al.
7,377,730 B2 5/2008 Hecht et al.
D602,965 S * 10/2009 Frejd D15/139
D639,320 S * 6/2011 Frejd D15/139
7,972,094 B2 7/2011 Men et al.

(57) **CLAIM**
The ornamental design for a drill head, as shown and described.

DESCRIPTION

FIG. 1 is a perspective view of a drill head showing our new design;
FIG. 2 is a front view thereof;
FIG. 3 is a rear view thereof;
FIG. 4 is a left side view thereof;
FIG. 5 is a right side view thereof;
FIG. 6 is a top plan view thereof; and,
FIG. 7 is a bottom view thereof.
The dashed lines found in FIGS. 1 and 4-7 show optional features of the design and form no part of the claim.

1 Claim, 7 Drawing Sheets



(56)

References Cited

2015/0158090 A1* 6/2015 Hecht B23C 5/207
407/113

U.S. PATENT DOCUMENTS

2014/0186130 A1* 7/2014 Hecht B23C 5/207
407/114

* cited by examiner

FIG.1

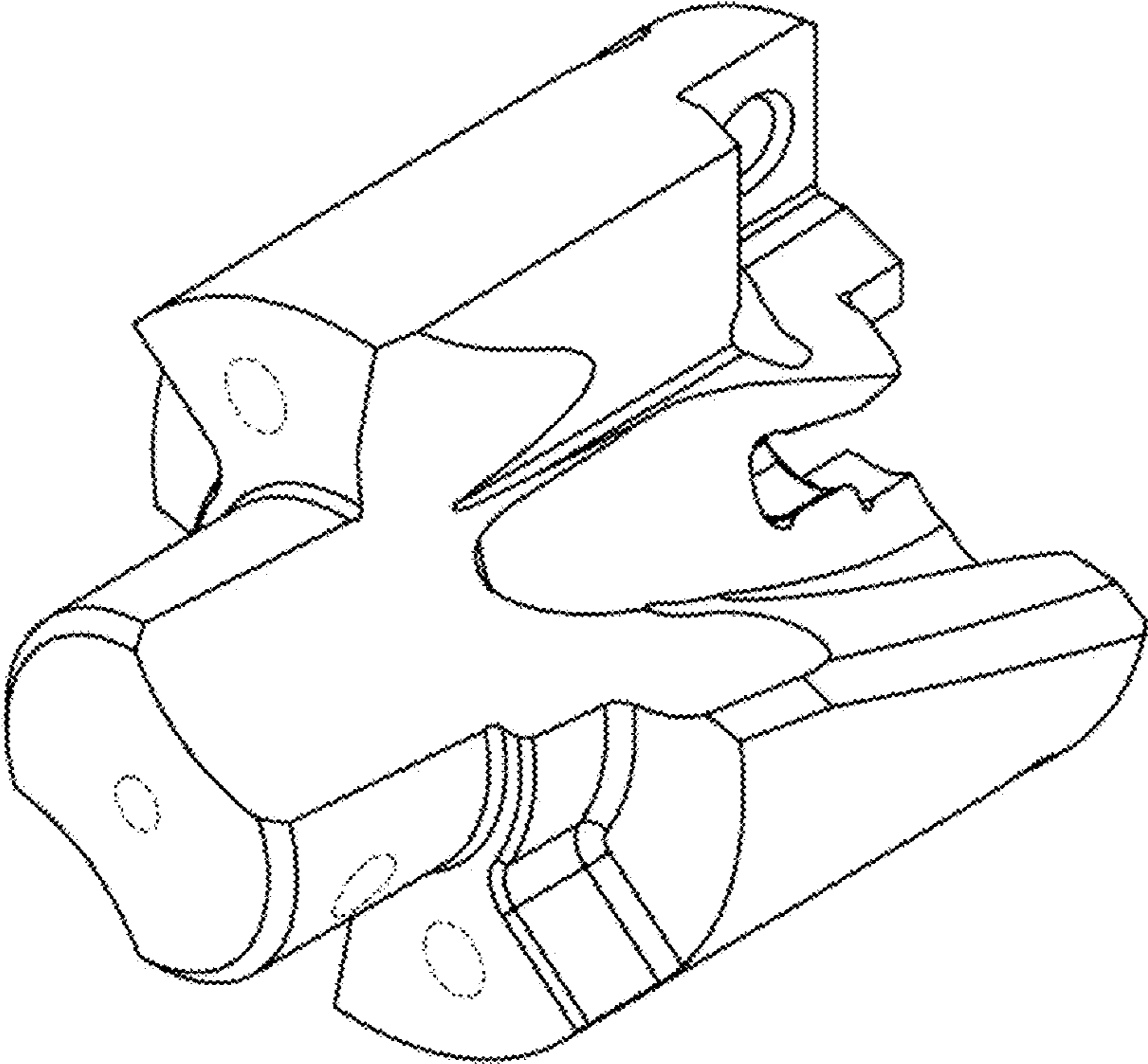


FIG. 2

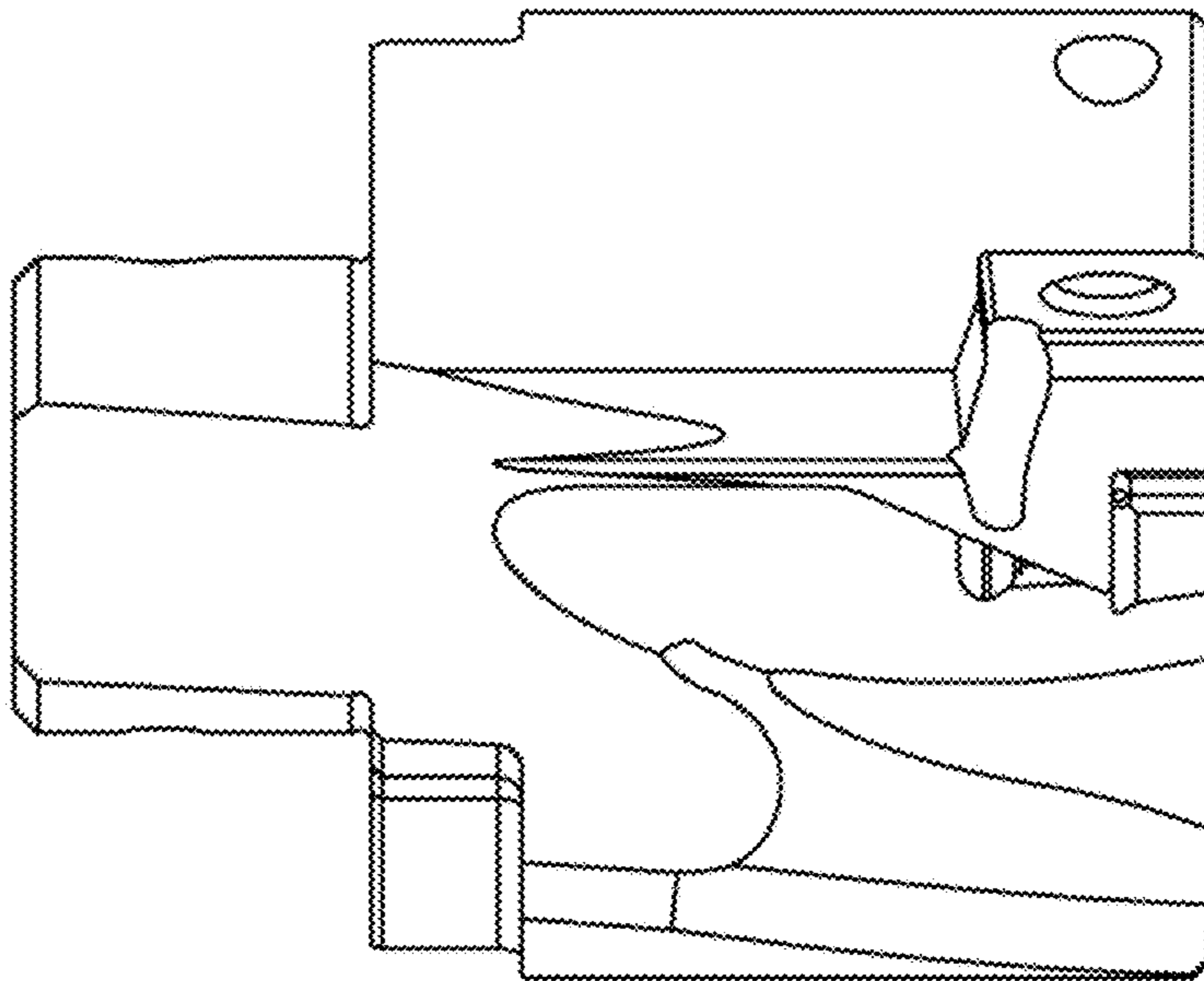


FIG. 3

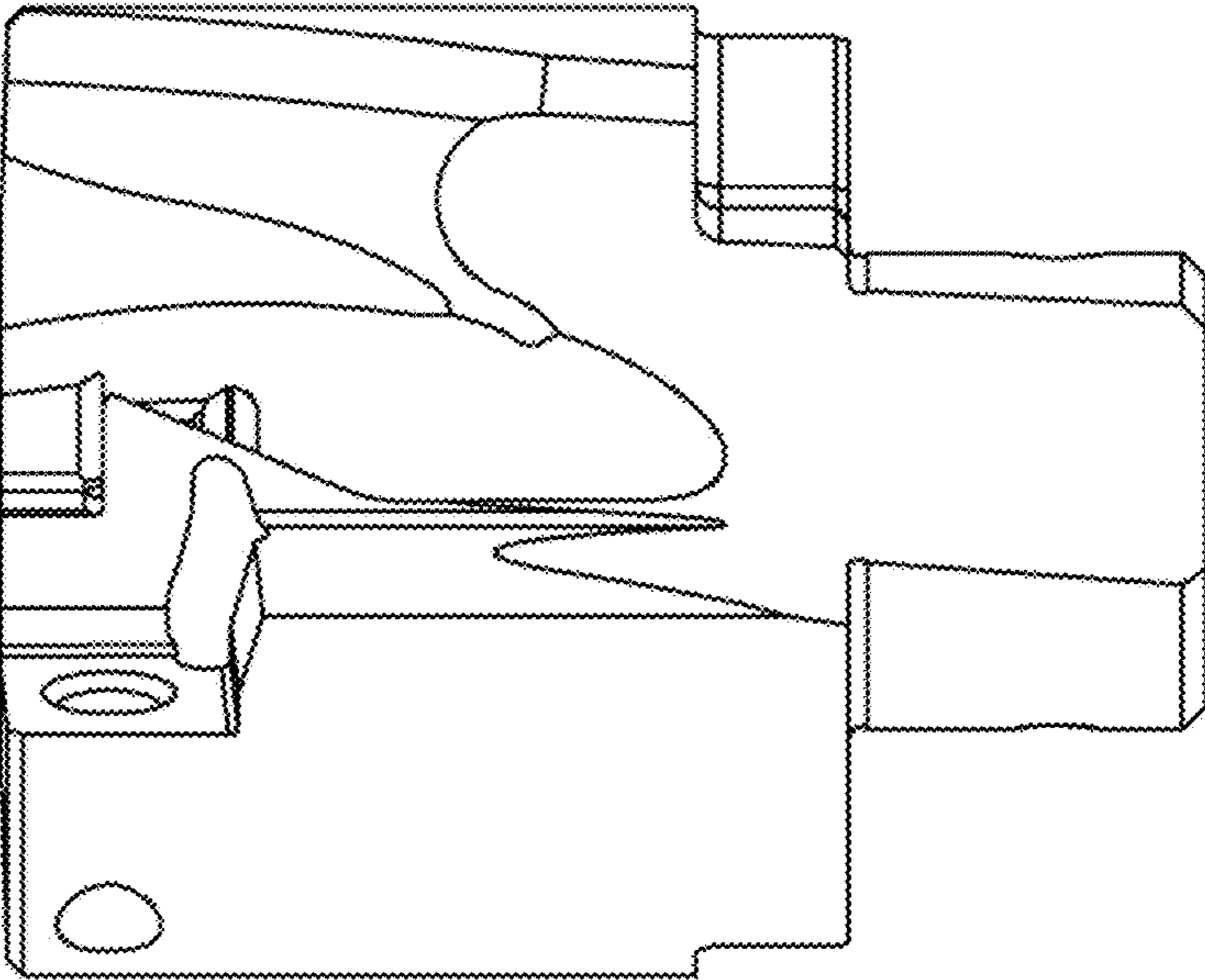


FIG. 4

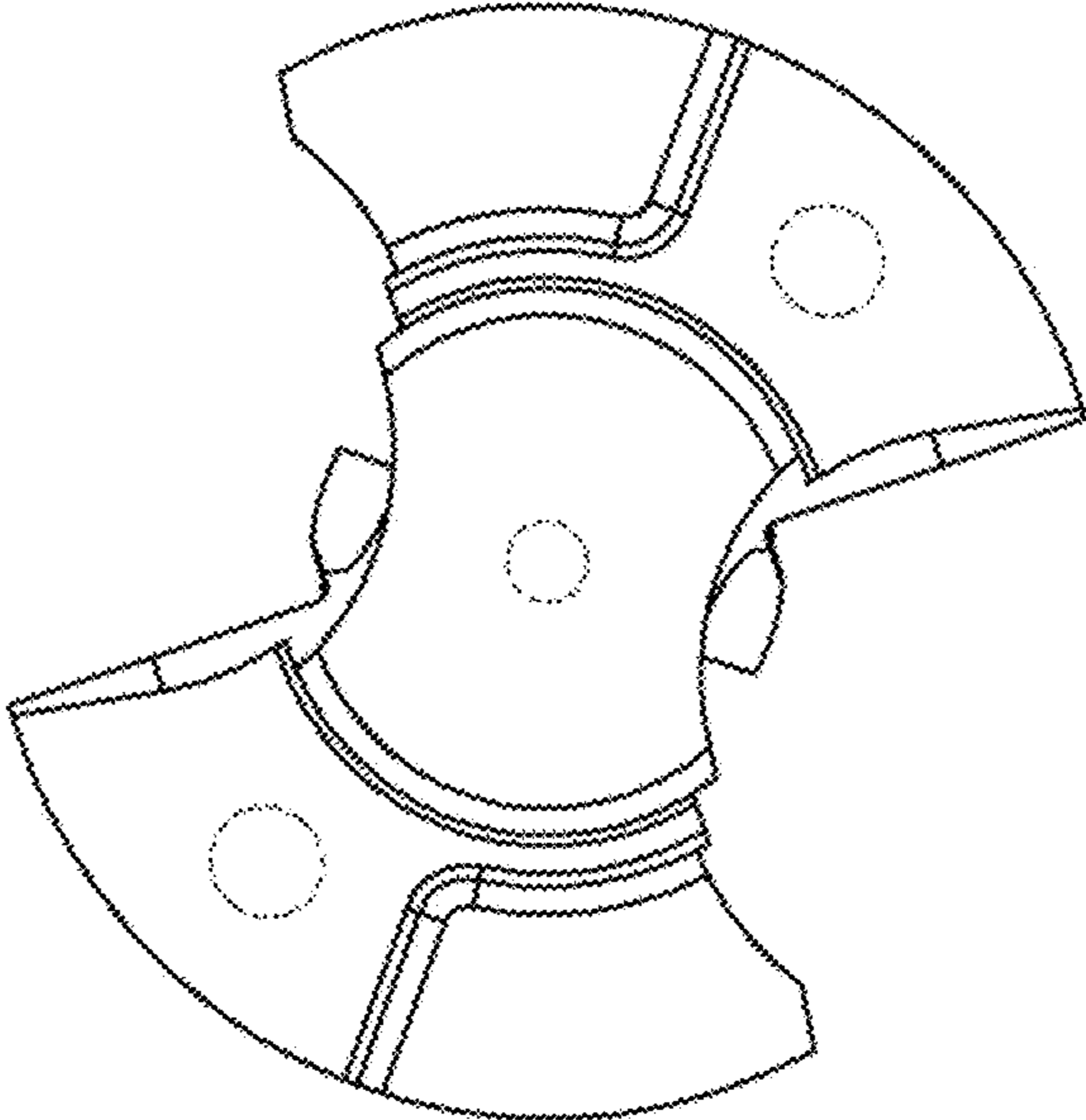


FIG. 5

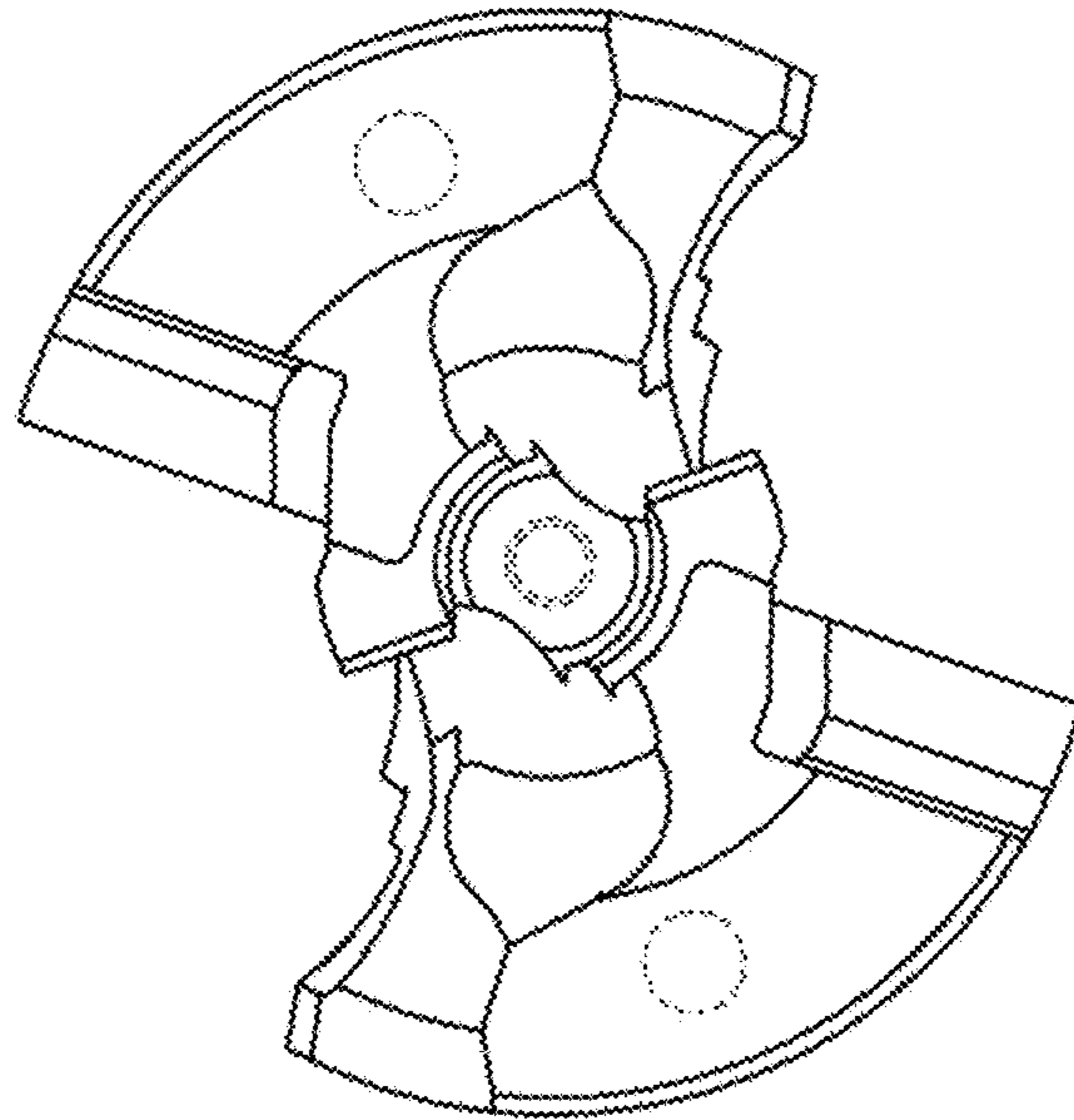


FIG. 6

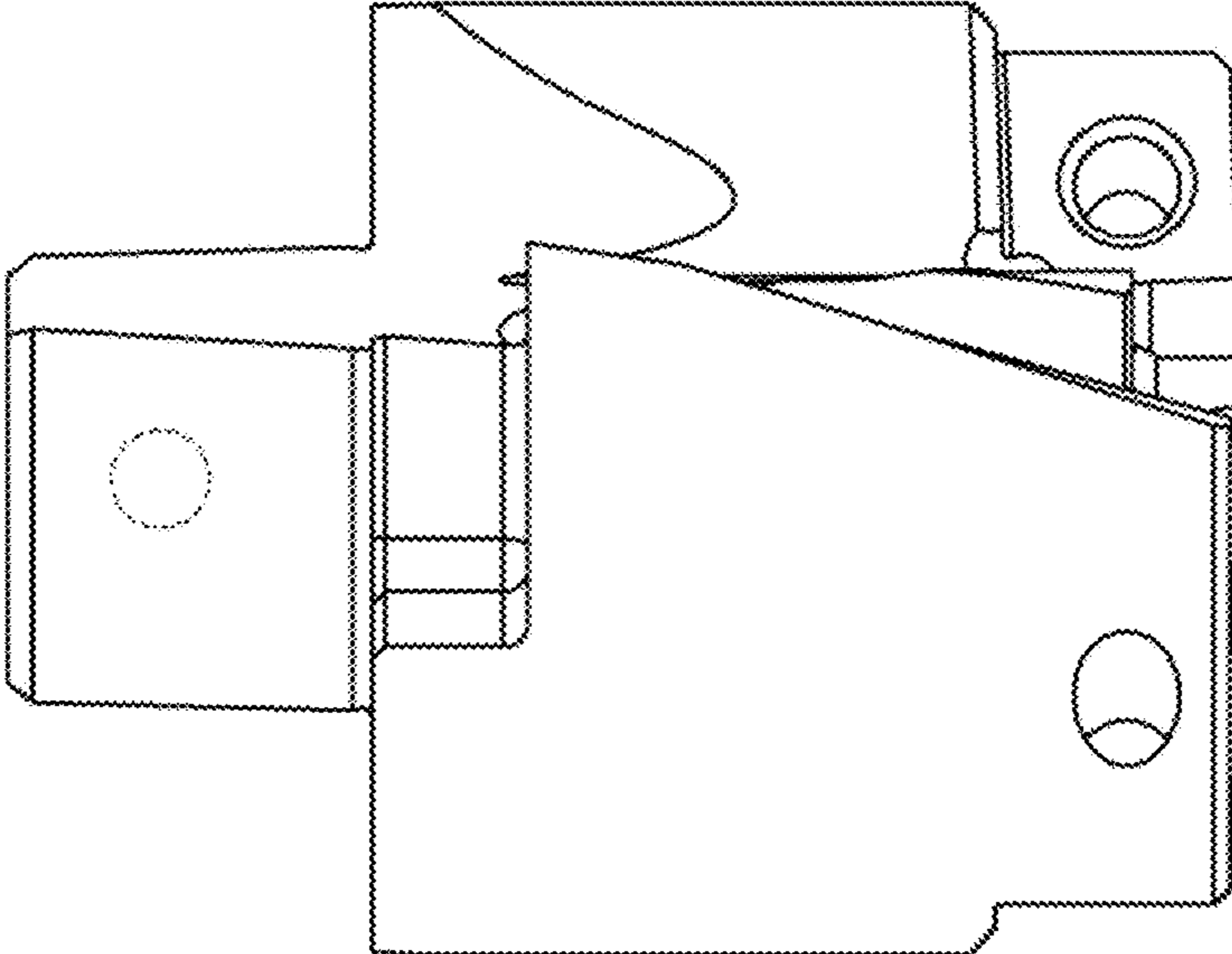


FIG. 7

