



US00D756429S

(12) **United States Design Patent**
Myren, Jr.

(10) **Patent No.:** **US D756,429 S**

(45) **Date of Patent:** **** May 17, 2016**

- (54) **AIR CONTROL DEVICE**
- (71) Applicant: **FLAMEKEEPER LLC**, Fort Lauderdale, FL (US)
- (72) Inventor: **Alben Theodore Myren, Jr.**, Colville Ami, WA (US)
- (73) Assignee: **Flamekeeper LLC**, Deerfield Beach, FL (US)
- (**) Term: **14 Years**
- (21) Appl. No.: **29/518,217**
- (22) Filed: **Feb. 20, 2015**
- (51) **LOC (10) Cl.** **15-09**
- (52) **U.S. Cl.**
USPC **D15/138; D15/144**
- (58) **Field of Classification Search**
USPC **D15/138, 144**
See application file for complete search history.

8,703,043	B2 *	4/2014	Takahashi	266/200
8,709,334	B2 *	4/2014	Lu	266/44
9,016,277	B2 *	4/2015	Kniewasser	128/204.23
D729,926	S *	5/2015	Tomasiak	D23/388
9,097,464	B2 *	8/2015	Falkenreck et al.		
9,109,704	B2 *	8/2015	Borchers et al.		
9,139,931	B2 *	9/2015	Meyer et al.		
9,157,336	B2 *	10/2015	Wakahara et al.		

* cited by examiner

Primary Examiner — Patricia Palasik

(74) *Attorney, Agent, or Firm* — Garcia-Zamor IP Law; Ruy M. Garcia-Zamor

(57) **CLAIM**

I claim a new ornamental design for an air control device, as shown and described.

DESCRIPTION

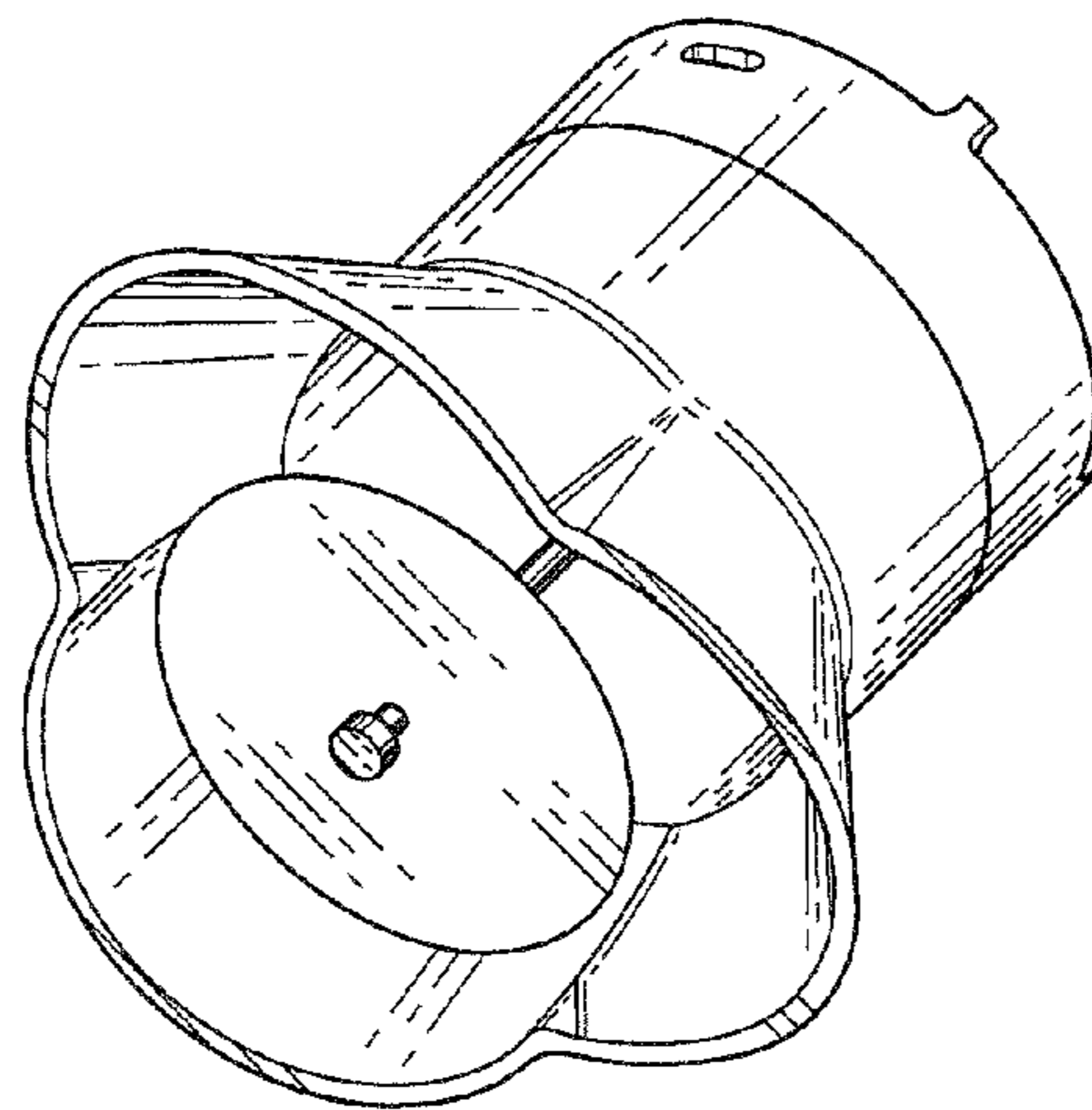
FIG. 1 is a front perspective view of an air control device according to my new design;
 FIG. 2 is a top plan view of the air control device of FIG. 1;
 FIG. 3 is a front elevational view of the air control device of FIG. 1;
 FIG. 4 is a left side elevational view of the air control device of FIG. 1;
 FIG. 5 is a right side elevational view of the air control device of FIG. 1;
 FIG. 6 is a rear perspective view of the air control device of FIG. 1;
 FIG. 7 is a rear elevational view of the air control device of FIG. 1; and,
 FIG. 8 is a bottom plan view of the air control device of FIG. 1.

1 Claim, 3 Drawing Sheets

(56) **References Cited**

U.S. PATENT DOCUMENTS

2,115,909	A *	5/1938	Funk	123/587
2,115,910	A *	5/1938	Funk	123/586
2,215,815	A *	9/1940	Hartmann	137/211.5
2,454,480	A *	11/1948	Rossmann	137/480
2,823,600	A *	2/1958	Cole	454/259
3,470,303	A *	9/1969	Lundstrom	373/110
4,021,192	A *	5/1977	Ferguson et al.	432/13
4,369,755	A *	1/1983	Saito	123/588
5,060,398	A *	10/1991	Wolens	34/90
D608,736	S *	1/2010	Brock	D13/115
8,309,016	B2 *	11/2012	Konig et al.	266/47
D674,078	S *	1/2013	Marin	D23/379
8,512,439	B2 *	8/2013	Loutsch et al.	75/469



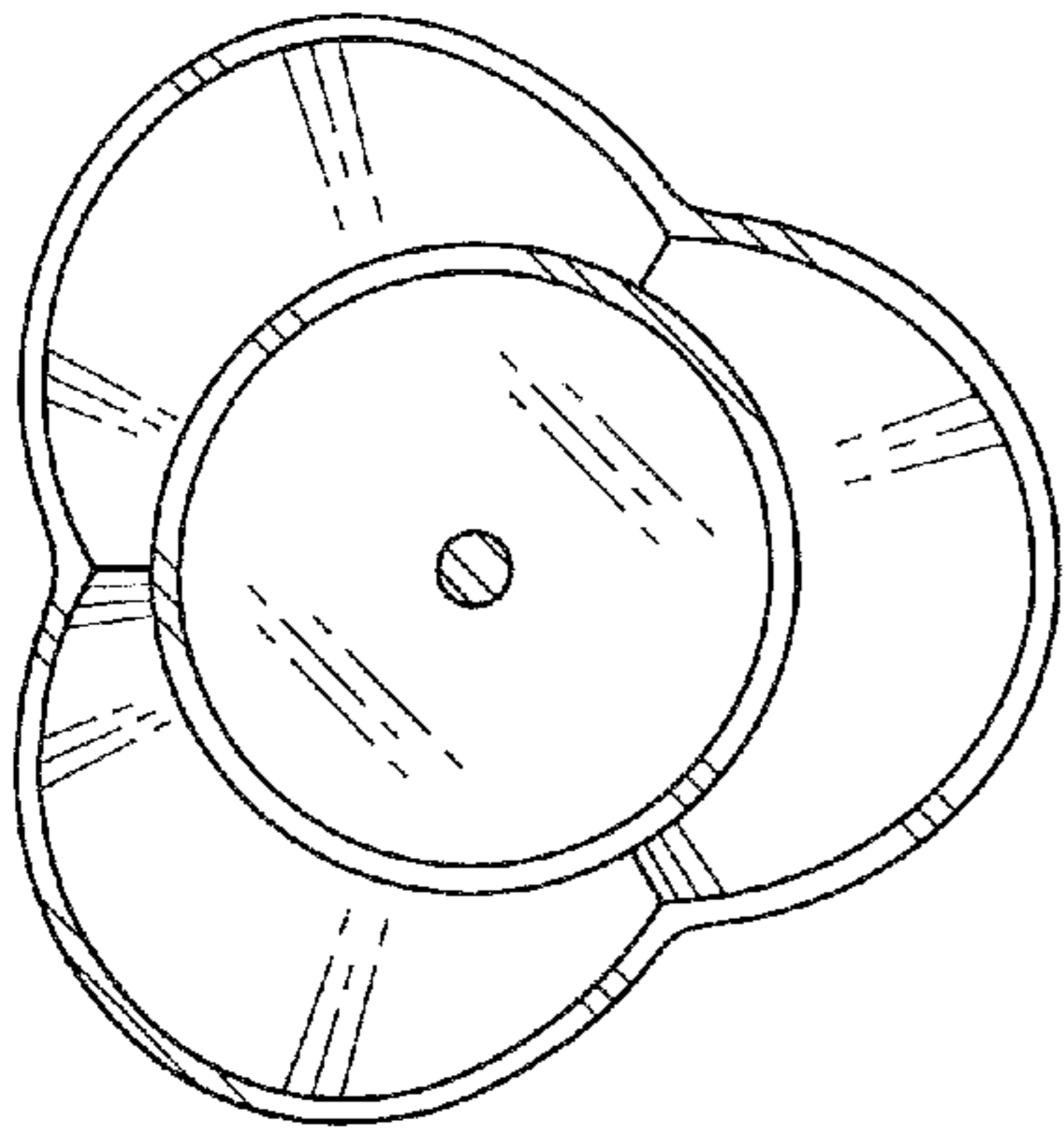


FIG. 2

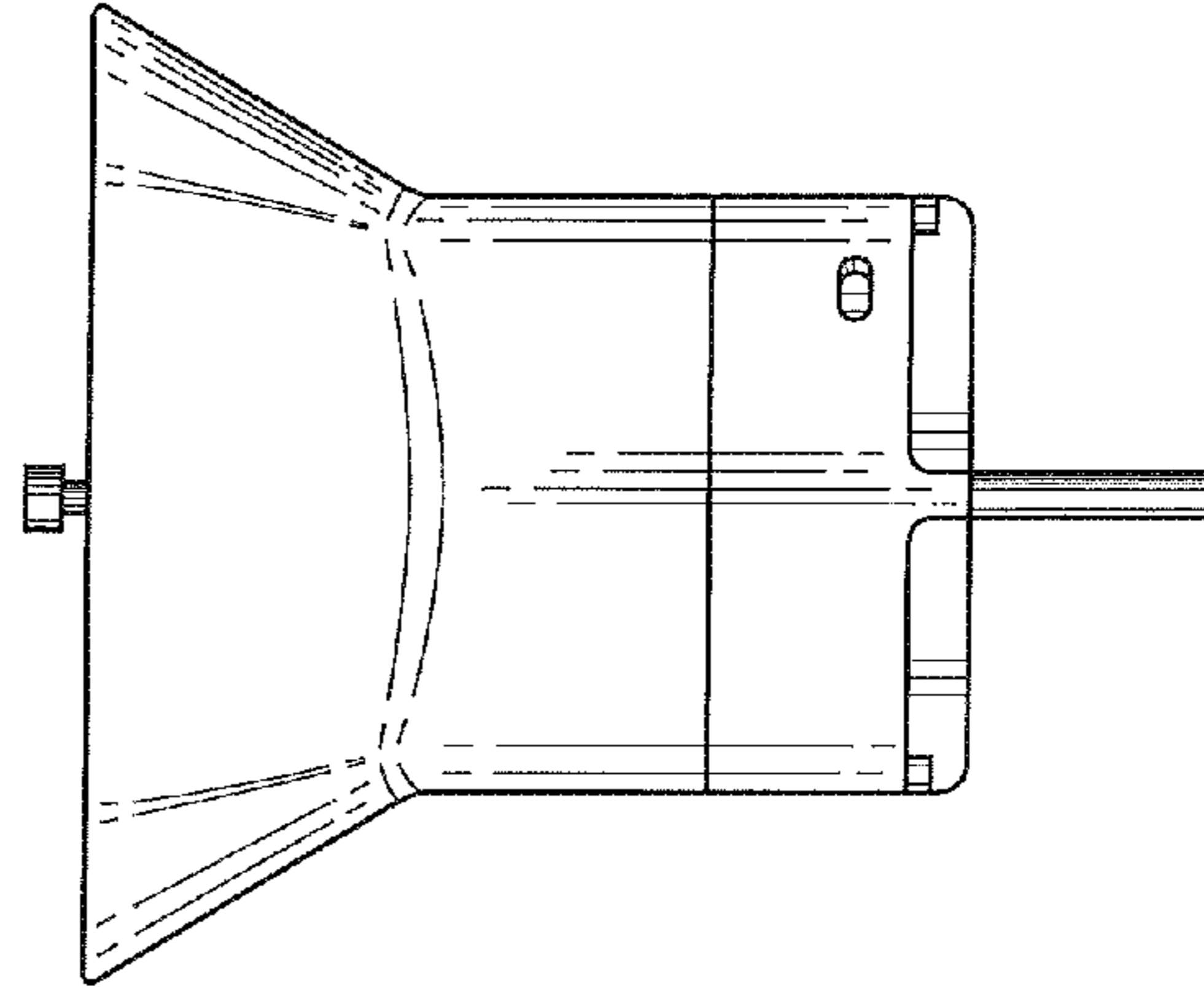


FIG. 3

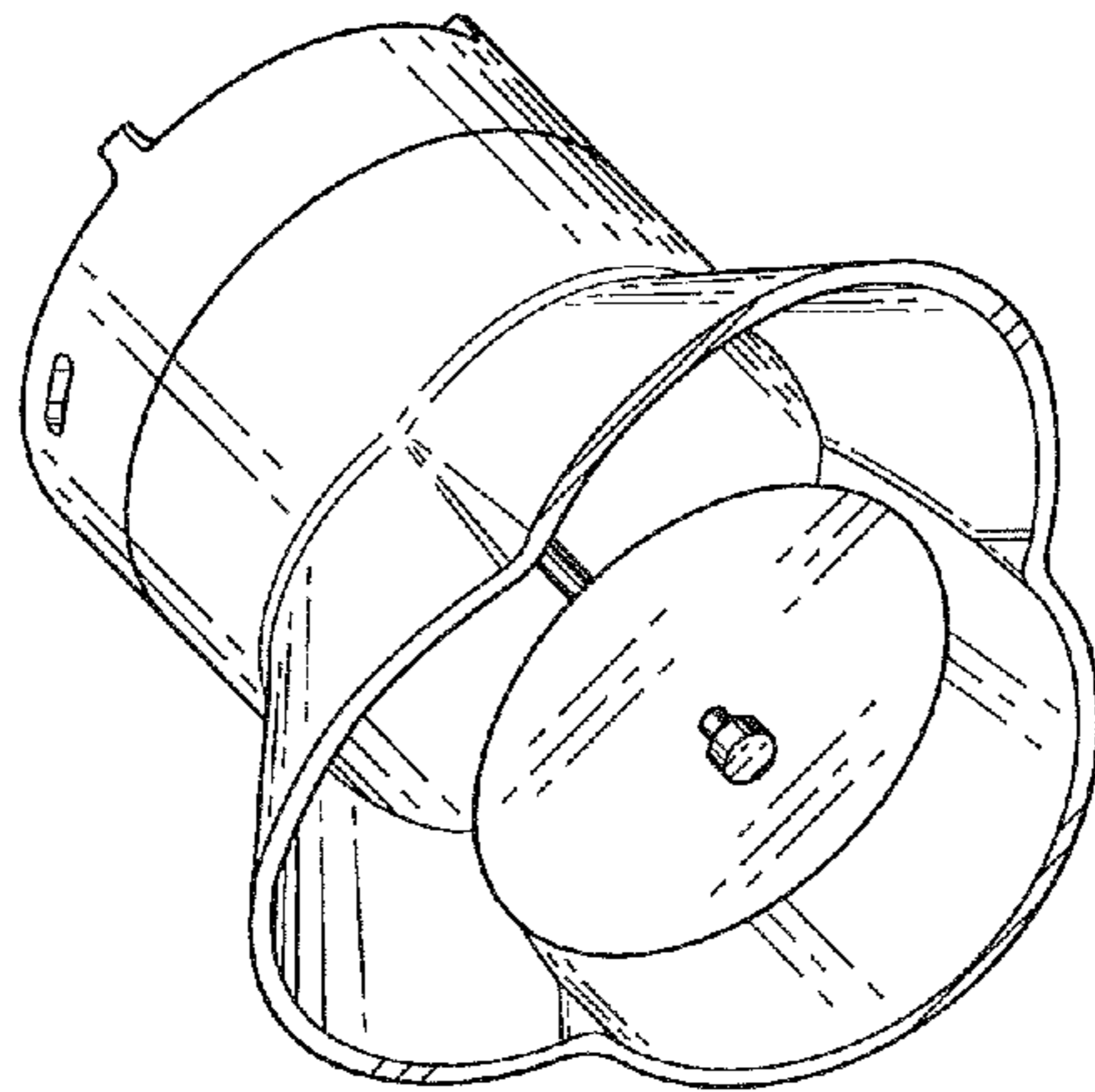


FIG. 1

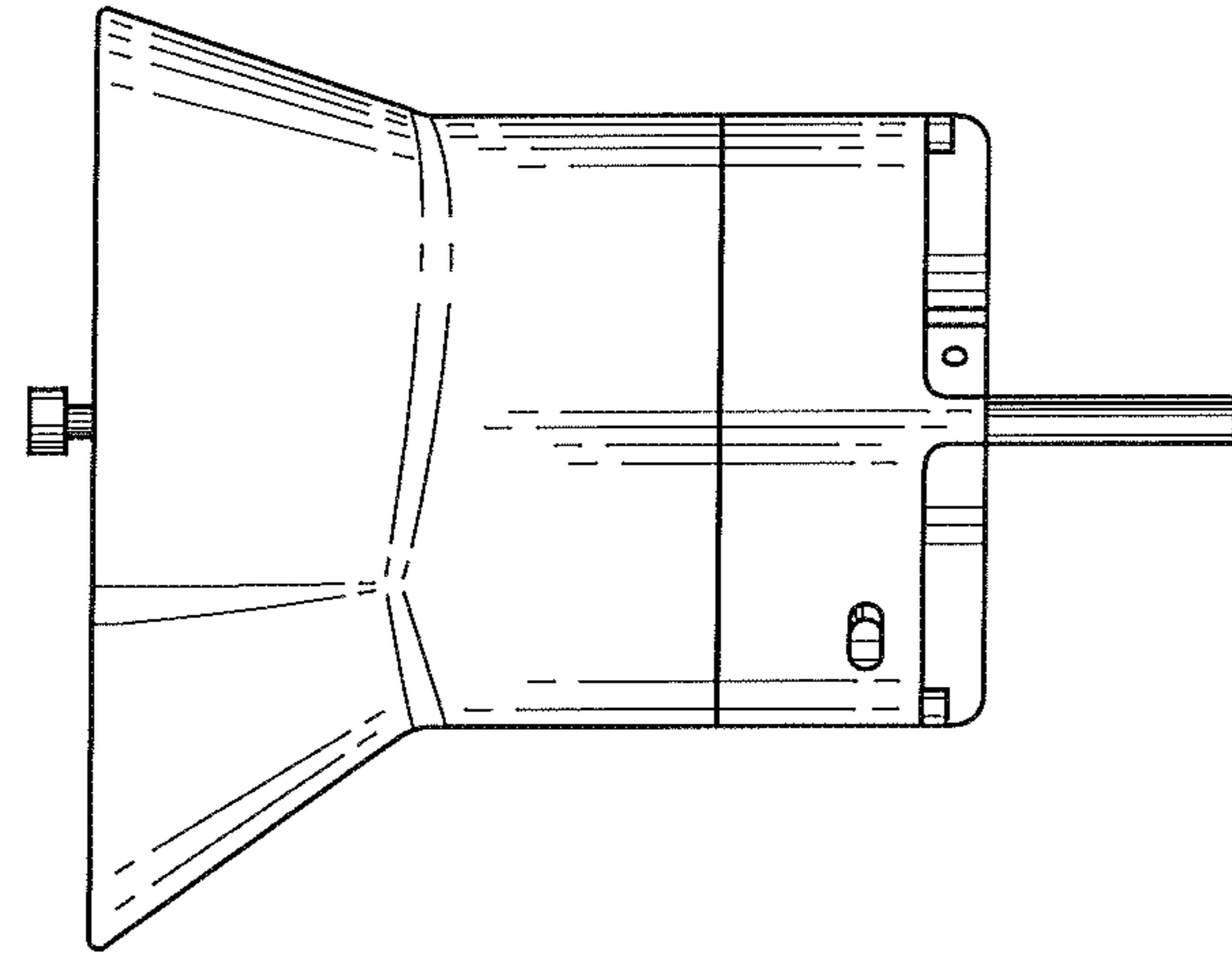


FIG. 5

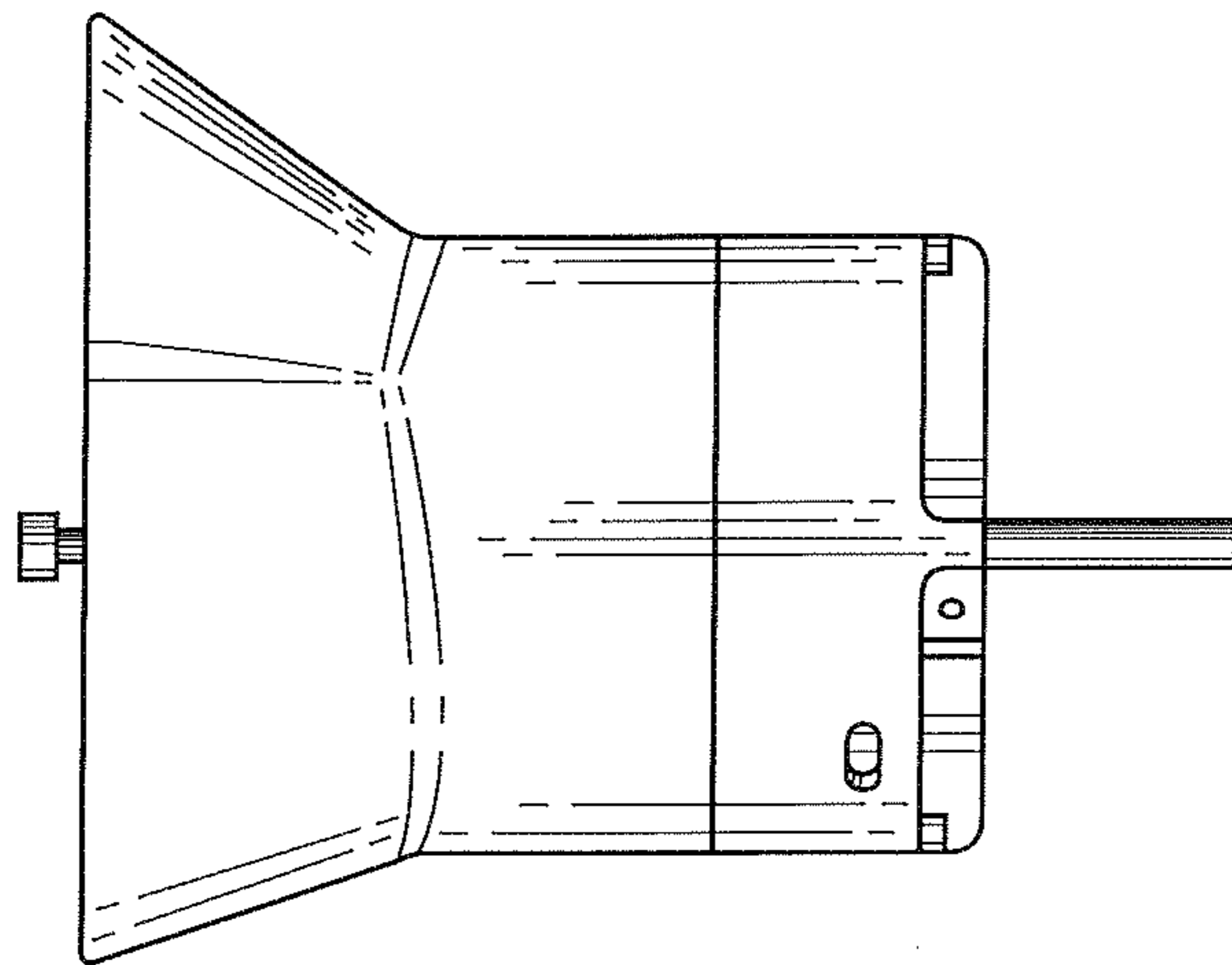


FIG. 4

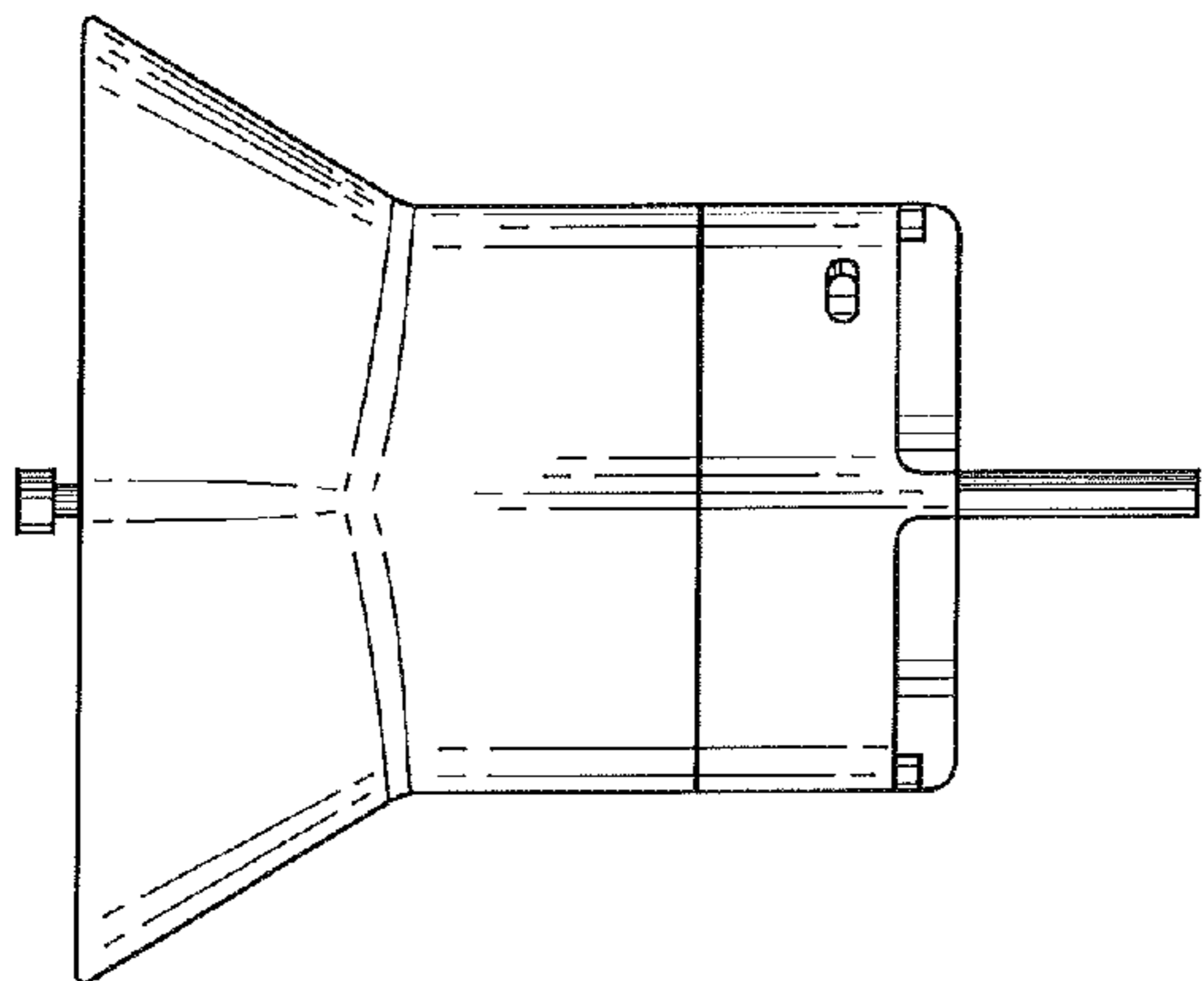


FIG. 7

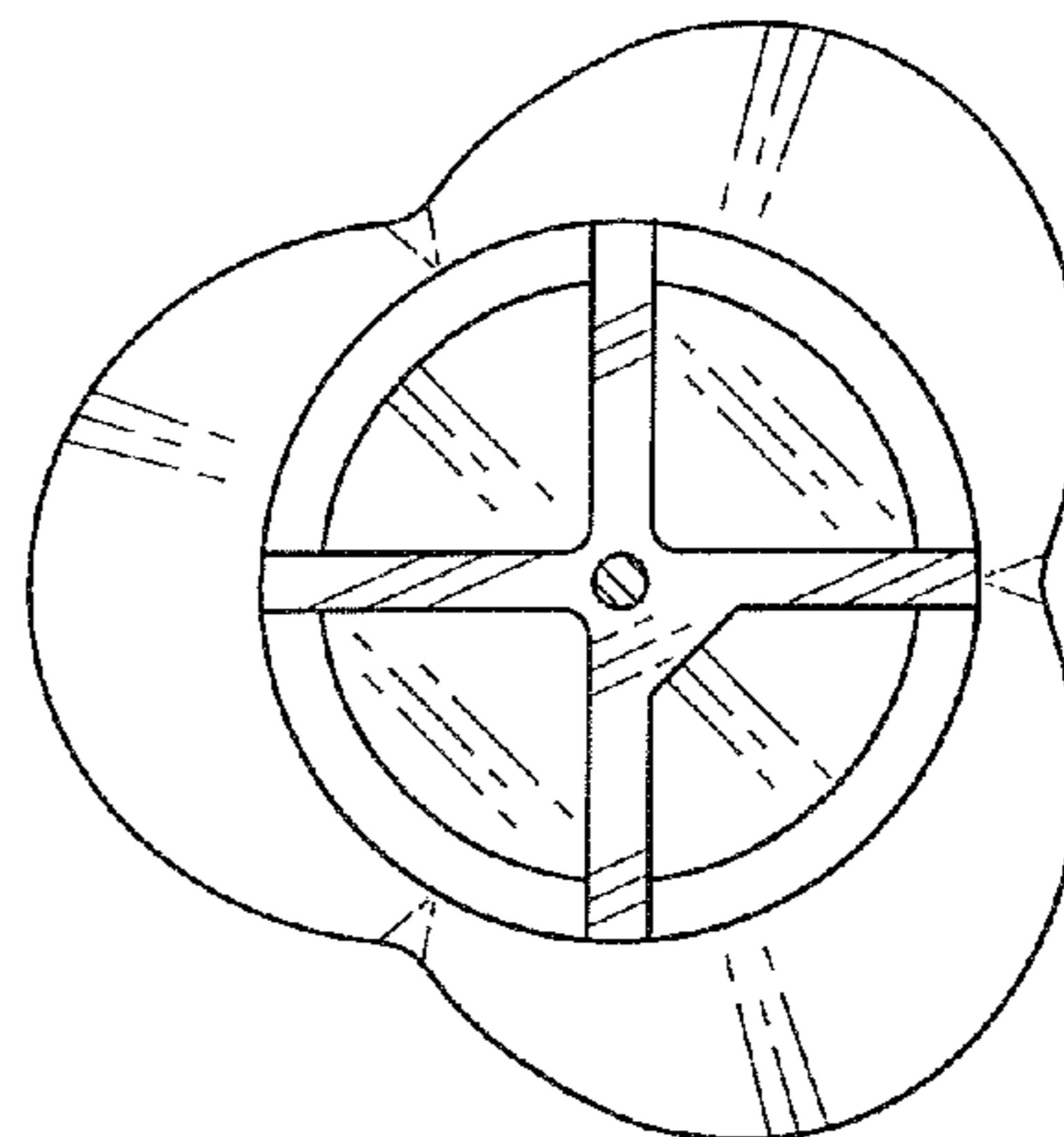


FIG. 8

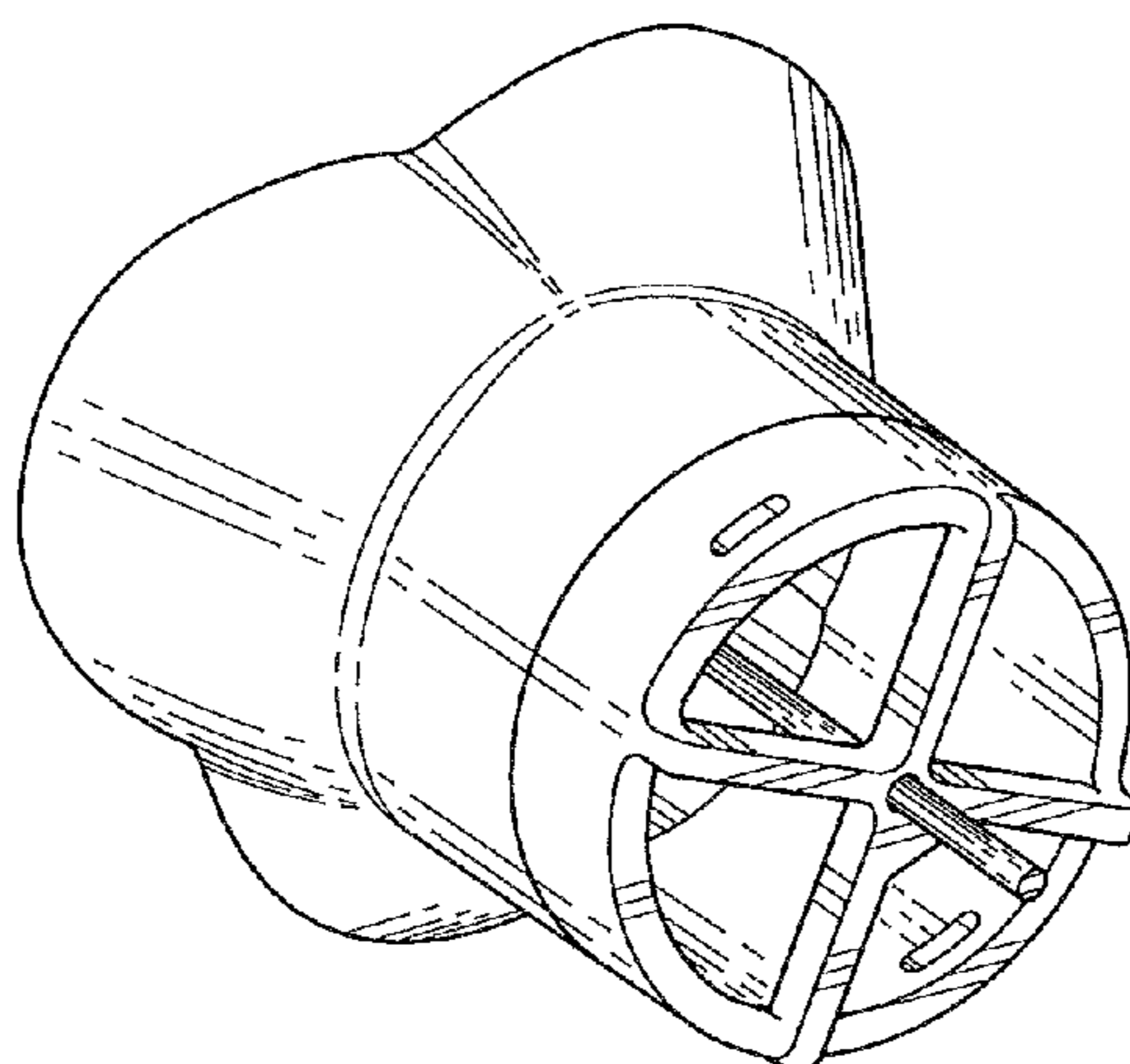


FIG. 6