



US00D756424S

(12) **United States Design Patent**  
**Seo et al.**

(10) **Patent No.:** **US D756,424 S**  
(45) **Date of Patent:** **\*\* May 17, 2016**

(54) **DISPENSER FOR REFRIGERATORS**

(71) Applicant: **LG ELECTRONICS INC.**, Seoul (KR)

(72) Inventors: **Woon Kyu Seo**, Seoul (KR); **Seon Il Yu**, Seoul (KR); **Hyok Ku Kwon**, Seoul (KR); **Seung Jin Yoon**, Seoul (KR); **Dae Sung Lee**, Seoul (KR)

(73) Assignee: **LG ELECTRONICS INC.**, Seoul (KR)

(\*\*) Term: **14 Years**

(21) Appl. No.: **29/513,825**

(22) Filed: **Jan. 6, 2015**

(30) **Foreign Application Priority Data**

Jul. 15, 2014 (KR) ..... 30-2014-0034642

(51) **LOC (10) Cl.** ..... **15-07**

(52) **U.S. Cl.**  
USPC ..... **D15/89**

(58) **Field of Classification Search**  
USPC ..... D15/79-91  
CPC ..... F25B 21/02; F25B 2321/02; F25B 1/005; F25B 2321/0252; F25B 1/00; F25B 1/10; F25B 21/04; F25B 2339/047; F25B 5/02; F25B 7/00; F25B 13/00; F25B 1/053; F25B 2309/06; F25B 2321/021; F25B 2321/023; F25D 23/028; F25D 23/02; F25D 25/025; F25D 23/00; F25D 2323/021; F25D 11/00; F25D 2323/024; F25D 23/04; F25D 29/00; F25D 25/02; F25D 25/024; F25D 27/005; F25D 23/12; F25D 29/005; F25D 17/042; F25D 2325/021

See application file for complete search history.

(56) **References Cited**

U.S. PATENT DOCUMENTS

D568,913	S	*	5/2008	Suh	.....	D15/89
D709,106	S	*	7/2014	Jeon	.....	D15/89
D710,403	S	*	8/2014	Seo	.....	D15/89
D714,842	S	*	10/2014	Jeon	.....	D15/89
D735,252	S	*	7/2015	Lee	.....	D15/89

\* cited by examiner

*Primary Examiner* — Daniel Bui

*Assistant Examiner* — Khawaja Anwar

(74) *Attorney, Agent, or Firm* — Birch, Stewart, Kolasch & Birch, LLP

(57) **CLAIM**

We claim the ornamental design for a dispenser for refrigerators, as shown and described.

**DESCRIPTION**

FIG. 1 is a looked-up perspective view of a dispenser for refrigerators showing our new design; FIG. 2 is a front elevation view thereof; FIG. 3 is a rear elevation view thereof; FIG. 4 is a left-side elevation view thereof; FIG. 5 is a right-side elevation view thereof; FIG. 6 is a top plan view thereof; FIG. 7 is a bottom plan view thereof; FIG. 8 is a looked-down perspective view thereof; and, FIG. 9 is a longitudinal-sectional view thereof, taken along line 9--9 in FIG. 2. The broken lines in the drawing figures are included for the purpose of illustrating environment and form no part of the claimed design.

**1 Claim, 7 Drawing Sheets**

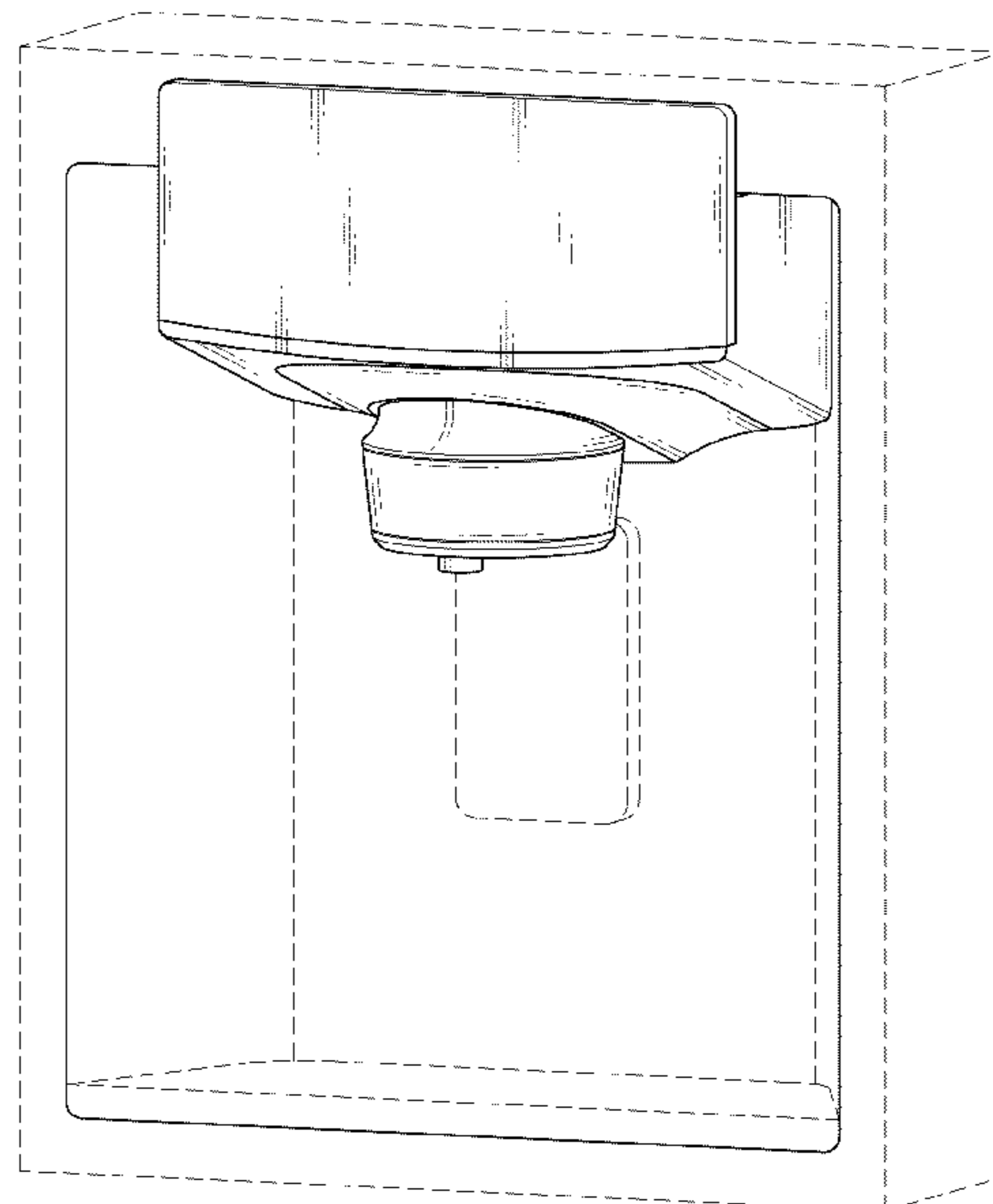
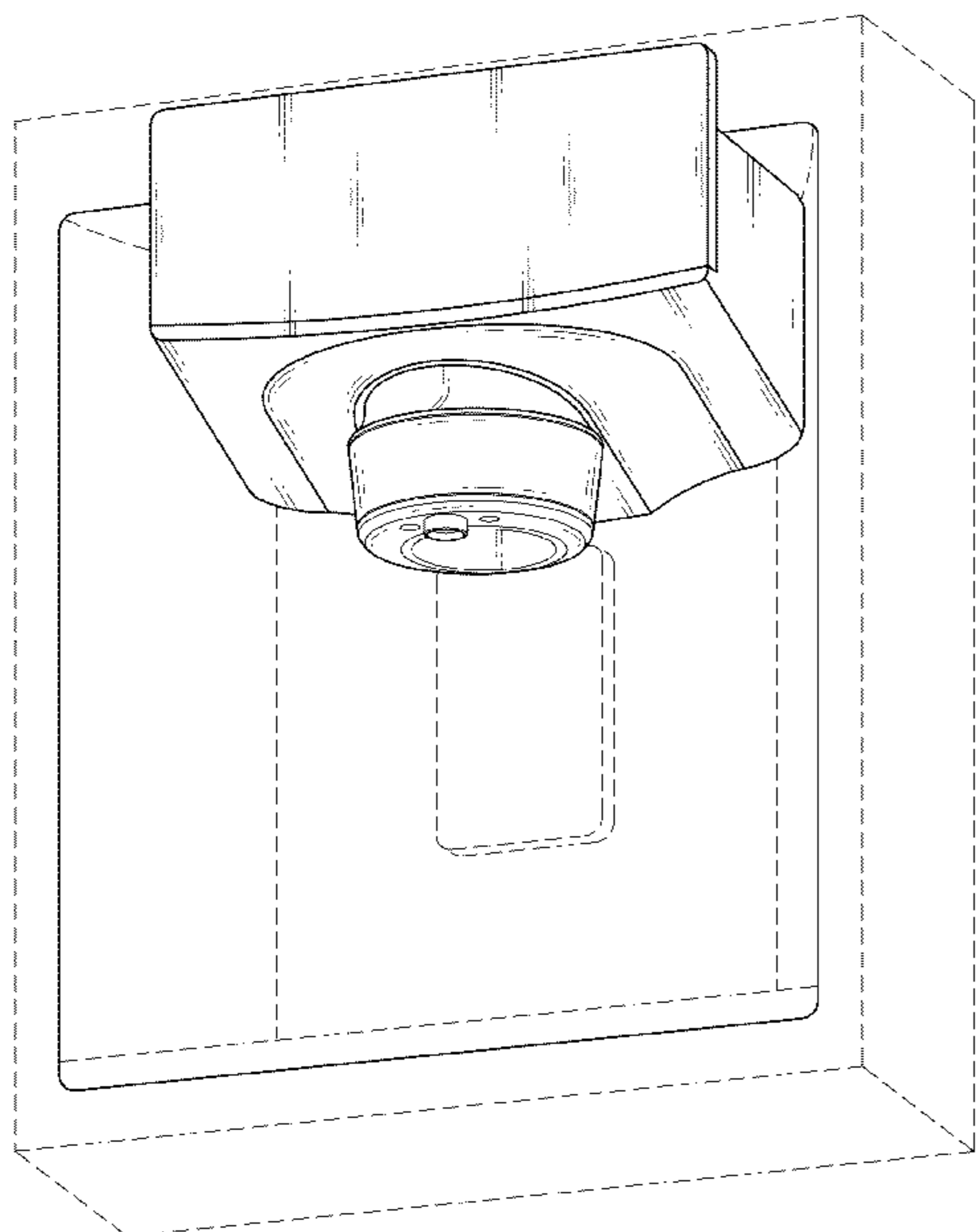


FIG. 1

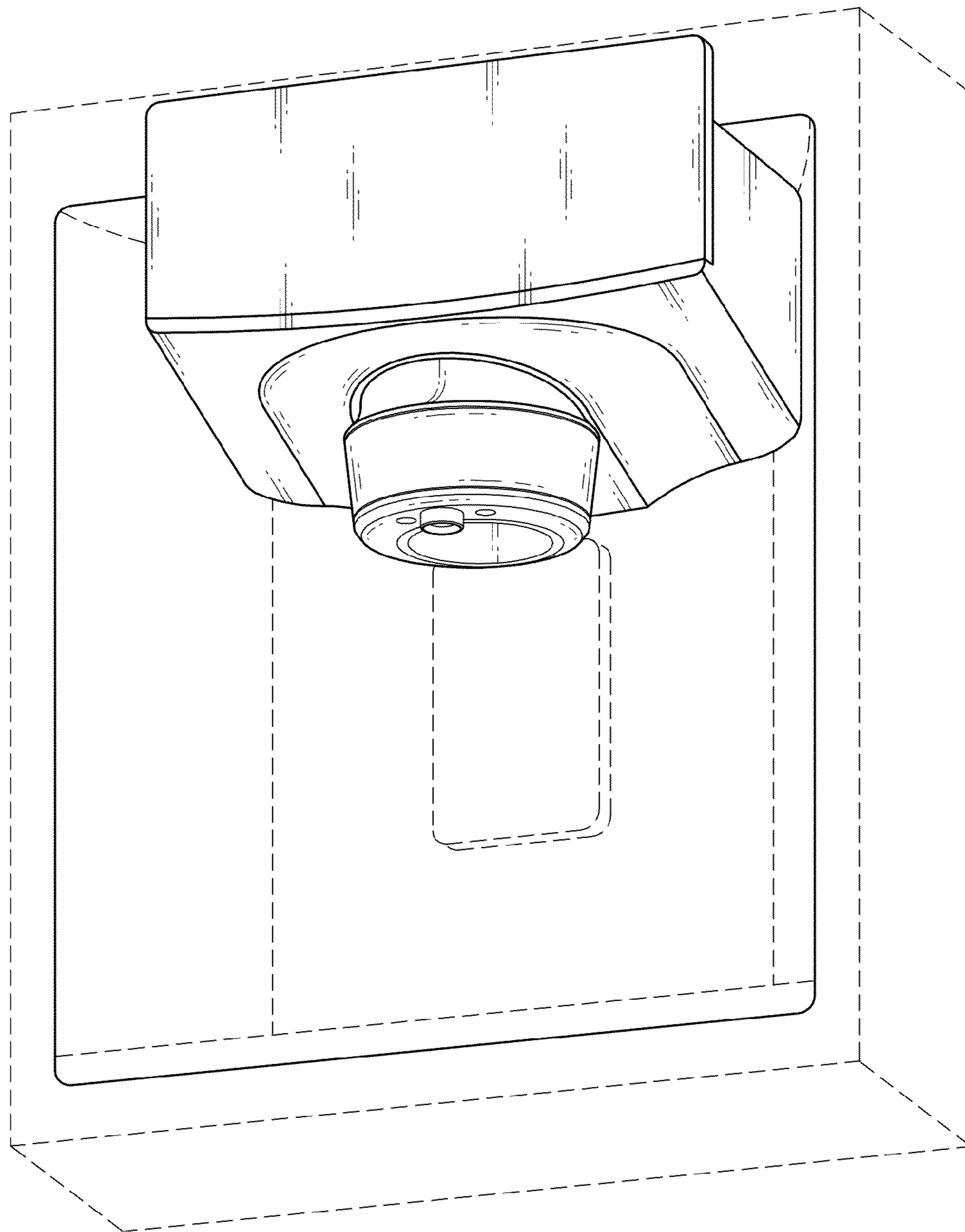
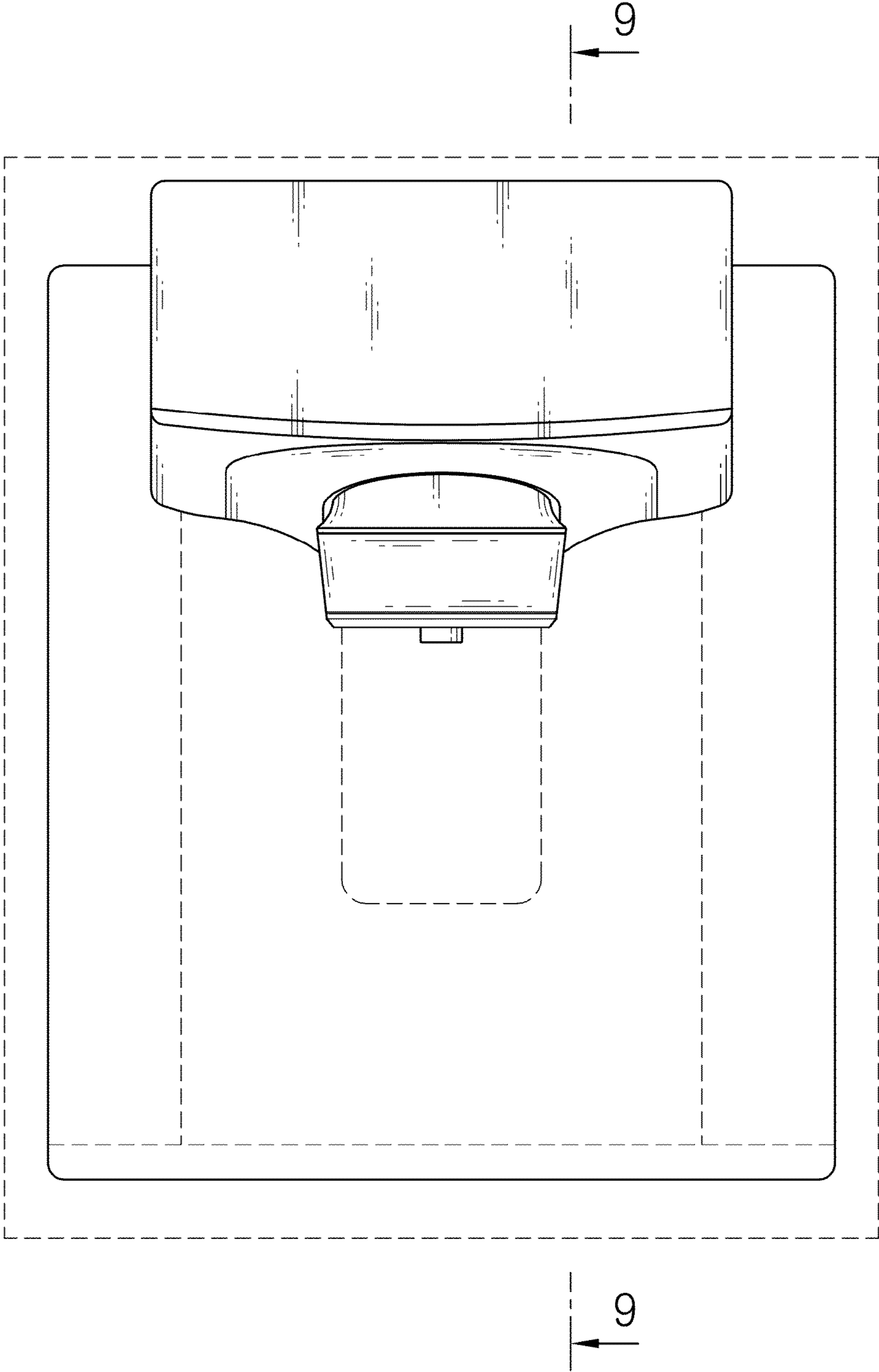


FIG. 2



**FIG. 3**



FIG. 4

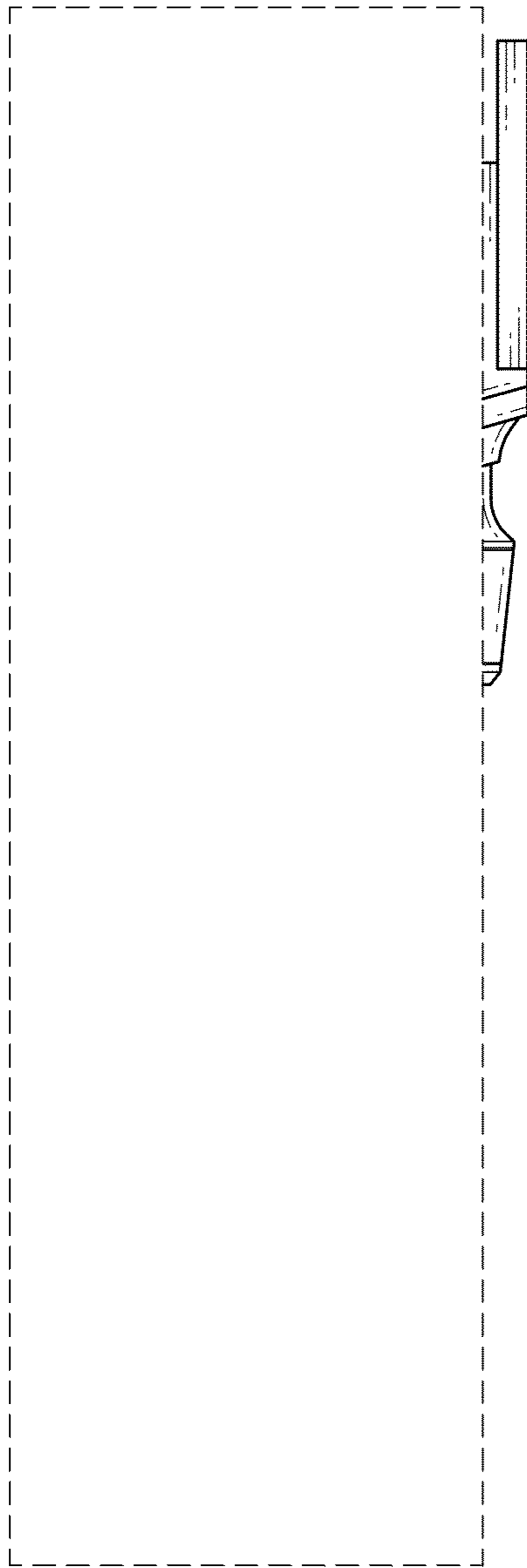


FIG. 5

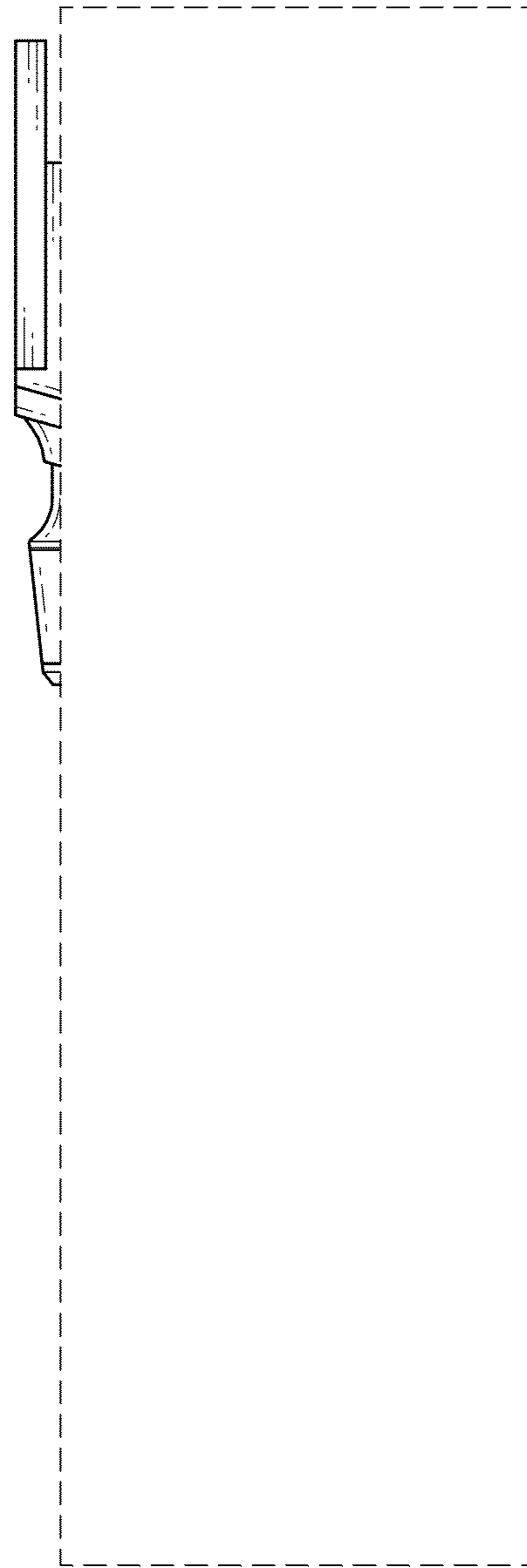


FIG. 6

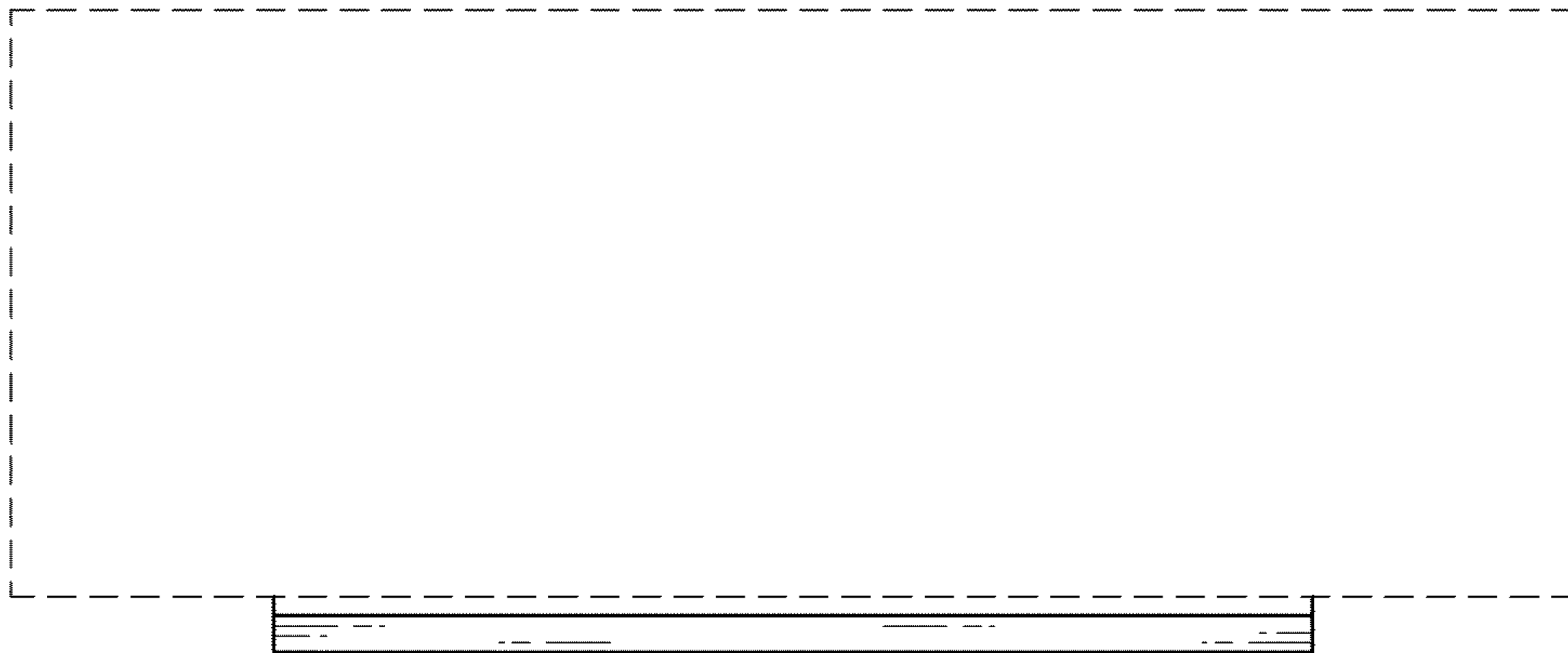


FIG. 7

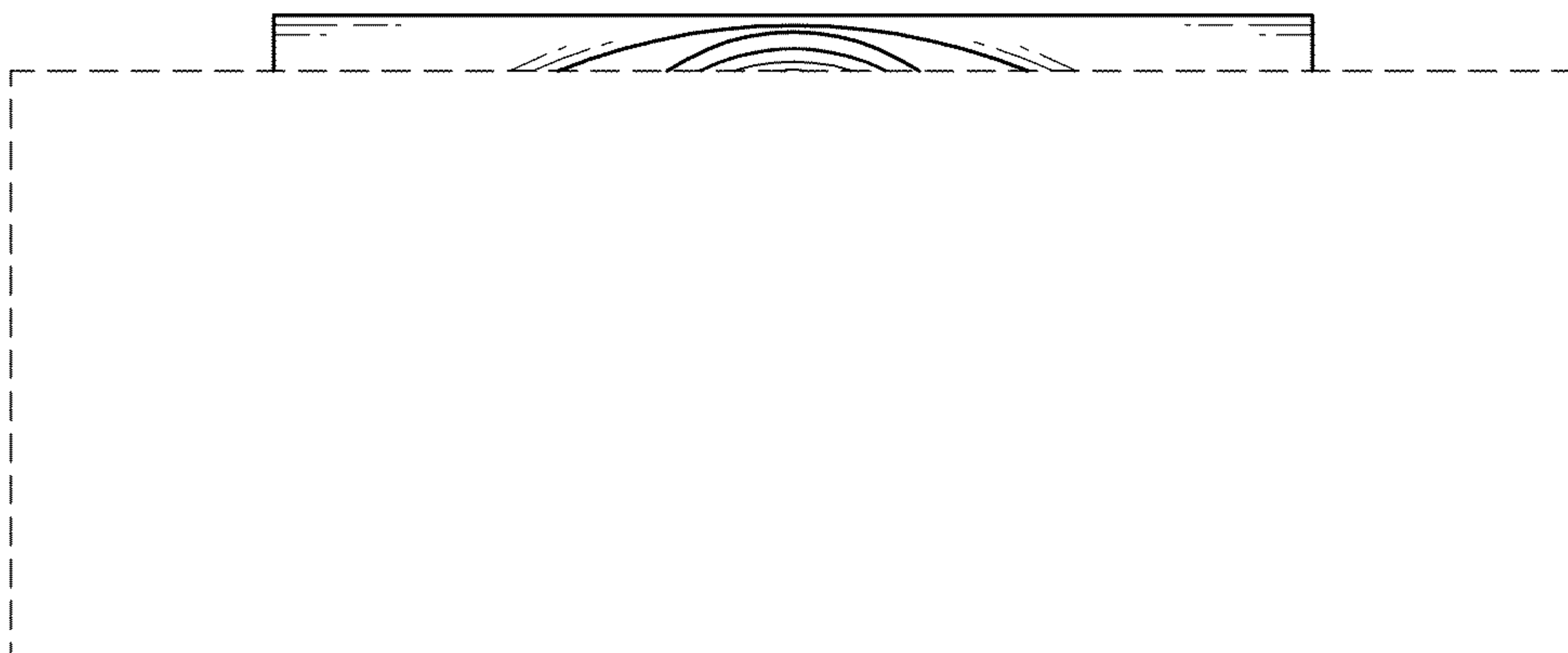


FIG. 8

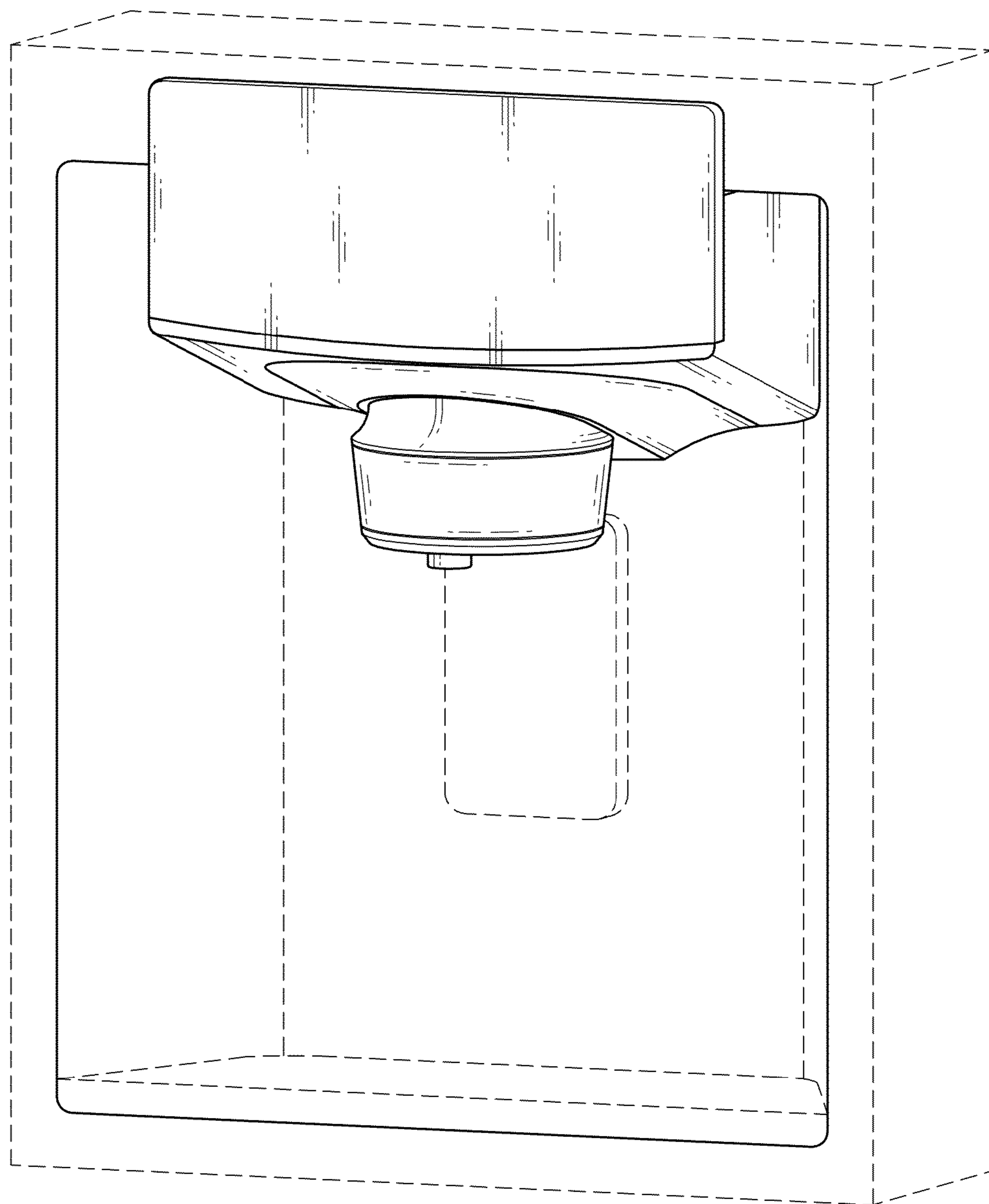


FIG. 9

