



US00D756421S

(12) **United States Design Patent**
Okuyama et al.

(10) **Patent No.:** **US D756,421 S**
(45) **Date of Patent:** **** May 17, 2016**

- (54) **TRACTOR**
- (71) Applicant: **YANMAR CO., LTD.**, Osaka-shi, Osaka (JP)
- (72) Inventors: **Kiyoyuki Okuyama**, Yamagata (JP);
Fumio Ishibashi, Osaka (JP)
- (73) Assignee: **Yanmar Co., Ltd.**, Osaka (JP)
- (**) Term: **14 Years**
- (21) Appl. No.: **29/523,844**
- (22) Filed: **Apr. 14, 2015**

D498,245 S *	11/2004	Kuwae	D15/23
D519,130 S *	4/2006	Higashikawa	D15/23
D519,131 S *	4/2006	Kuwae	D15/23
D527,026 S *	8/2006	Kuwae	D15/23
D555,674 S *	11/2007	Kuwae	D15/23
D564,544 S *	3/2008	Higashikawa	D15/23
D602,047 S *	10/2009	Kushita	D15/23
D604,749 S *	11/2009	Kushita	D15/23
D641,027 S *	7/2011	Kawashiri	D15/23
D668,270 S *	10/2012	Kushita	D15/23
D674,819 S *	1/2013	Hagele	D15/23
D693,374 S *	11/2013	Chlystek	D15/23
D693,375 S *	11/2013	Chlystek	D15/23
D703,699 S *	4/2014	Shimomura	D15/23
D708,232 S *	7/2014	Furuki	D15/23
D729,851 S *	5/2015	Kushita	D15/23

* cited by examiner

- (30) **Foreign Application Priority Data**
- Oct. 15, 2014 (JP) D2014-23115
- (51) **LOC (10) Cl.** **15-03**
- (52) **U.S. Cl.**
- USPC **D15/26**
- (58) **Field of Classification Search**
- USPC D15/10, 14-17, 22-26, 28, 30, 31
- CPC B62D 49/00; B62D 49/06; B62D 49/0671
- See application file for complete search history.

Primary Examiner — Mark Goodwin
(74) *Attorney, Agent, or Firm* — Sterne, Kessler, Goldstein & Fox P.L.L.C.

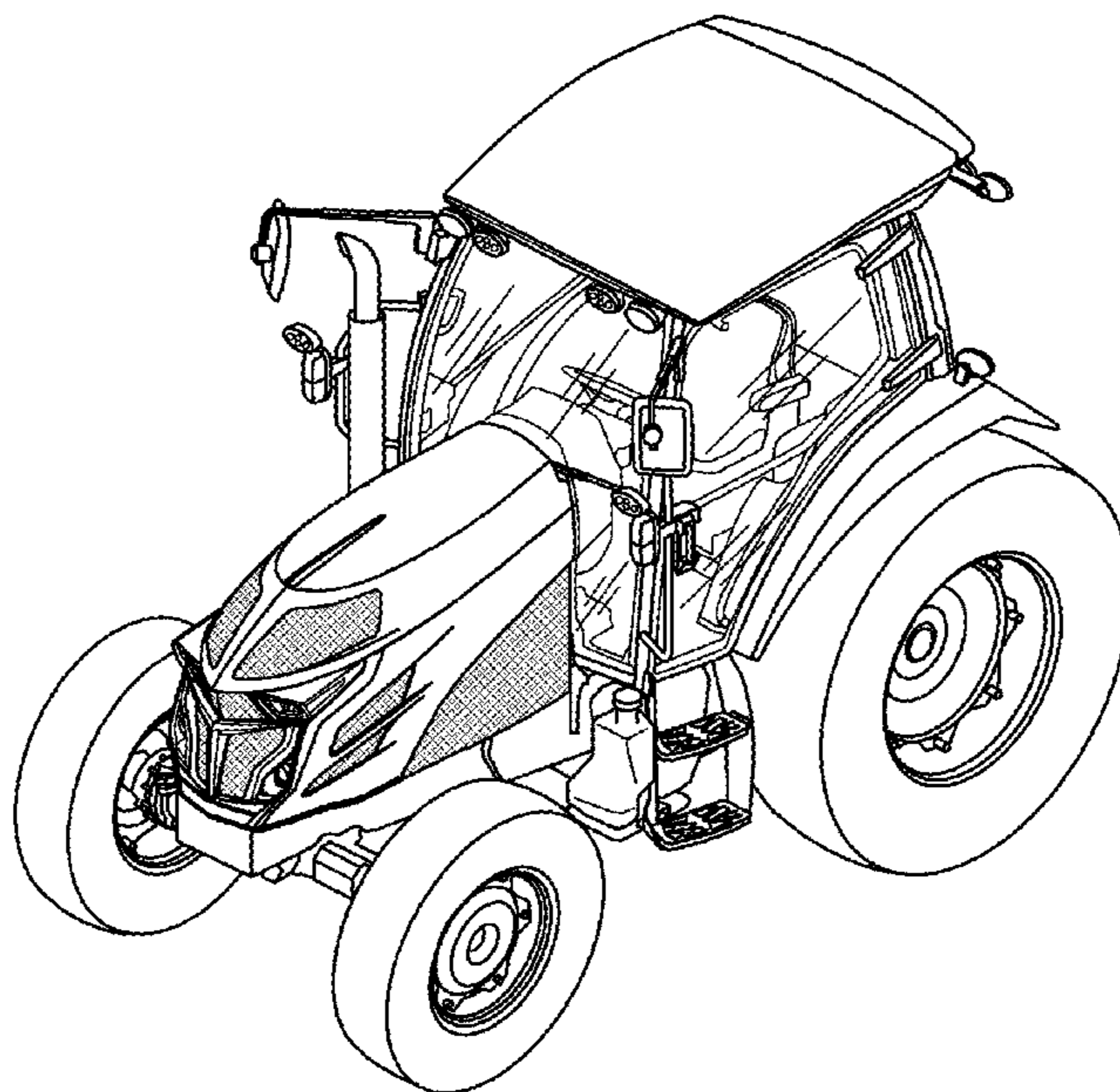
(57) **CLAIM**
The ornamental design for a tractor, as shown and described.

- (56) **References Cited**
- U.S. PATENT DOCUMENTS
- D225,521 S * 12/1972 Lorenz et al. D15/23
- D247,624 S * 3/1978 Emundts D15/23
- D274,524 S * 7/1984 Koval D15/23
- D329,435 S * 9/1992 Katoh D15/23
- D387,068 S * 12/1997 Kato D15/23
- D391,581 S * 3/1998 Kato D15/23
- 6,000,203 A * 12/1999 Weatherbee A01D 46/00
56/14.9
- D440,234 S * 4/2001 Katoh D15/23

DESCRIPTION

FIG. 1 is a top perspective view of a tractor showing our new design;
FIG. 2 is a right side view thereof;
FIG. 3 is a left side view thereof;
FIG. 4 is a top plan view thereof;
FIG. 5 is a bottom plan view thereof;
FIG. 6 is a front view thereof; and,
FIG. 7 is a rear view thereof.
The gray shading in the Figures shows outside air inlets and not surface ornamentation.
The oblique shade lines in the Figures show transparency or translucency.

1 Claim, 7 Drawing Sheets



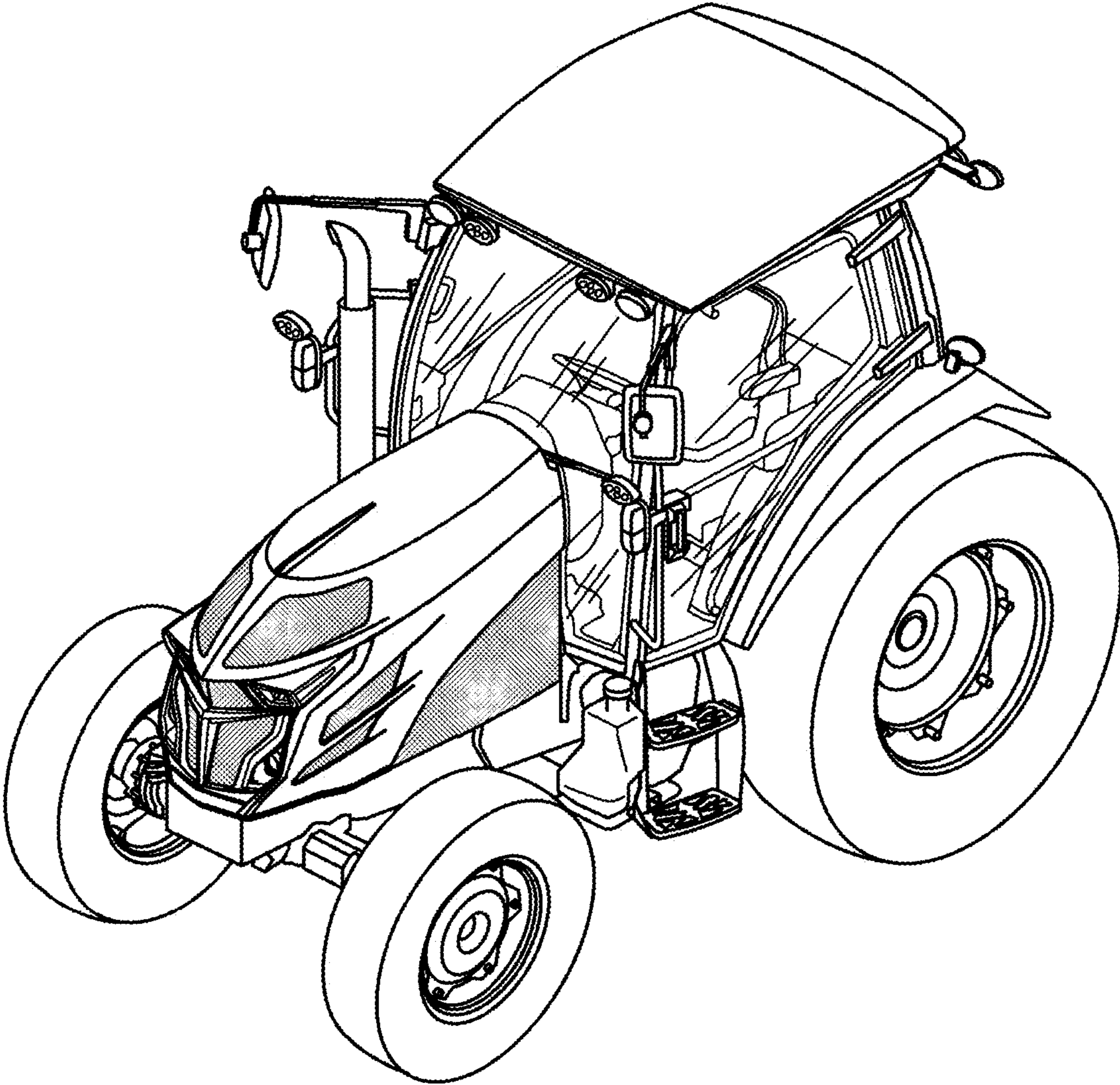


FIG. 1

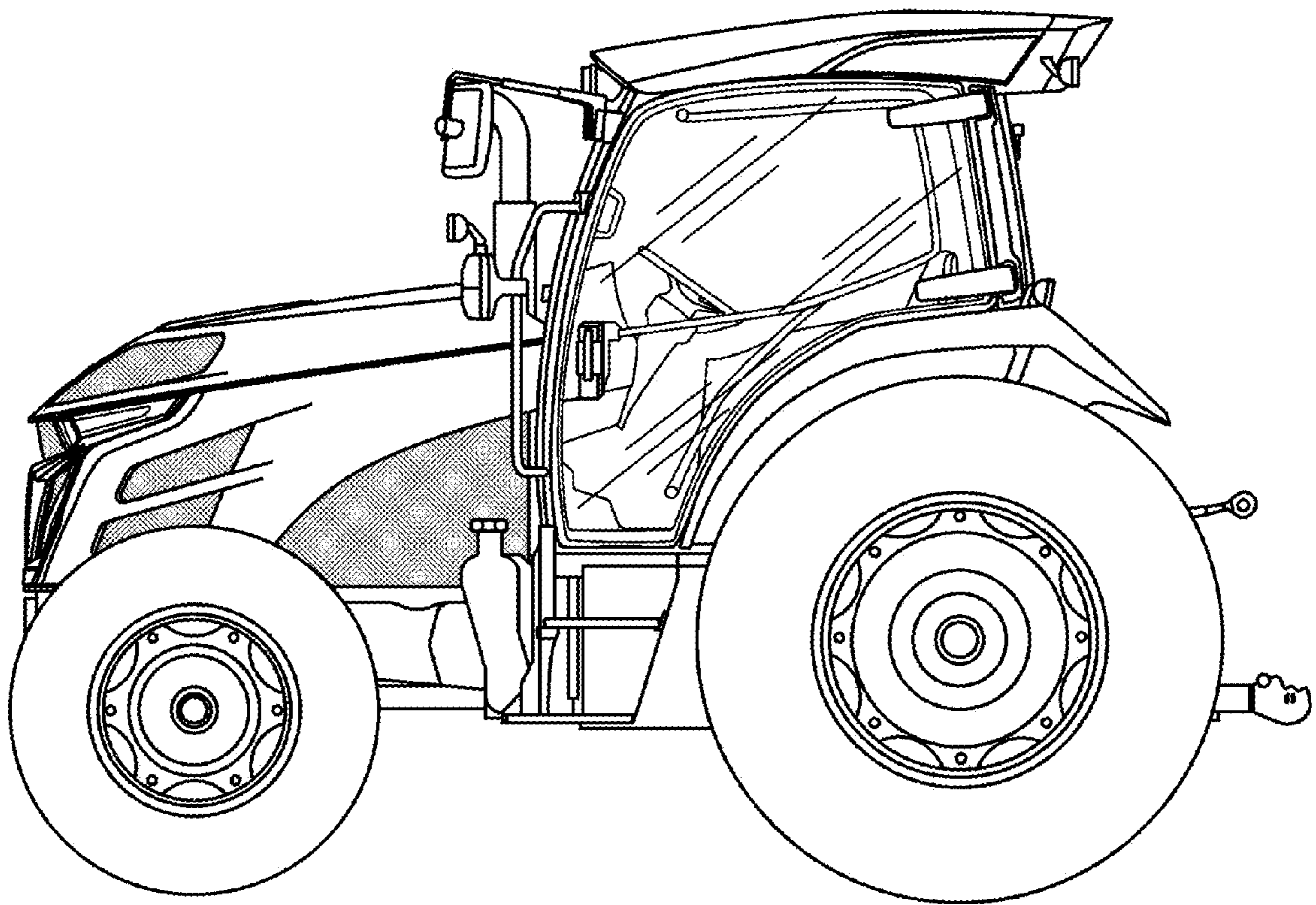


FIG. 2

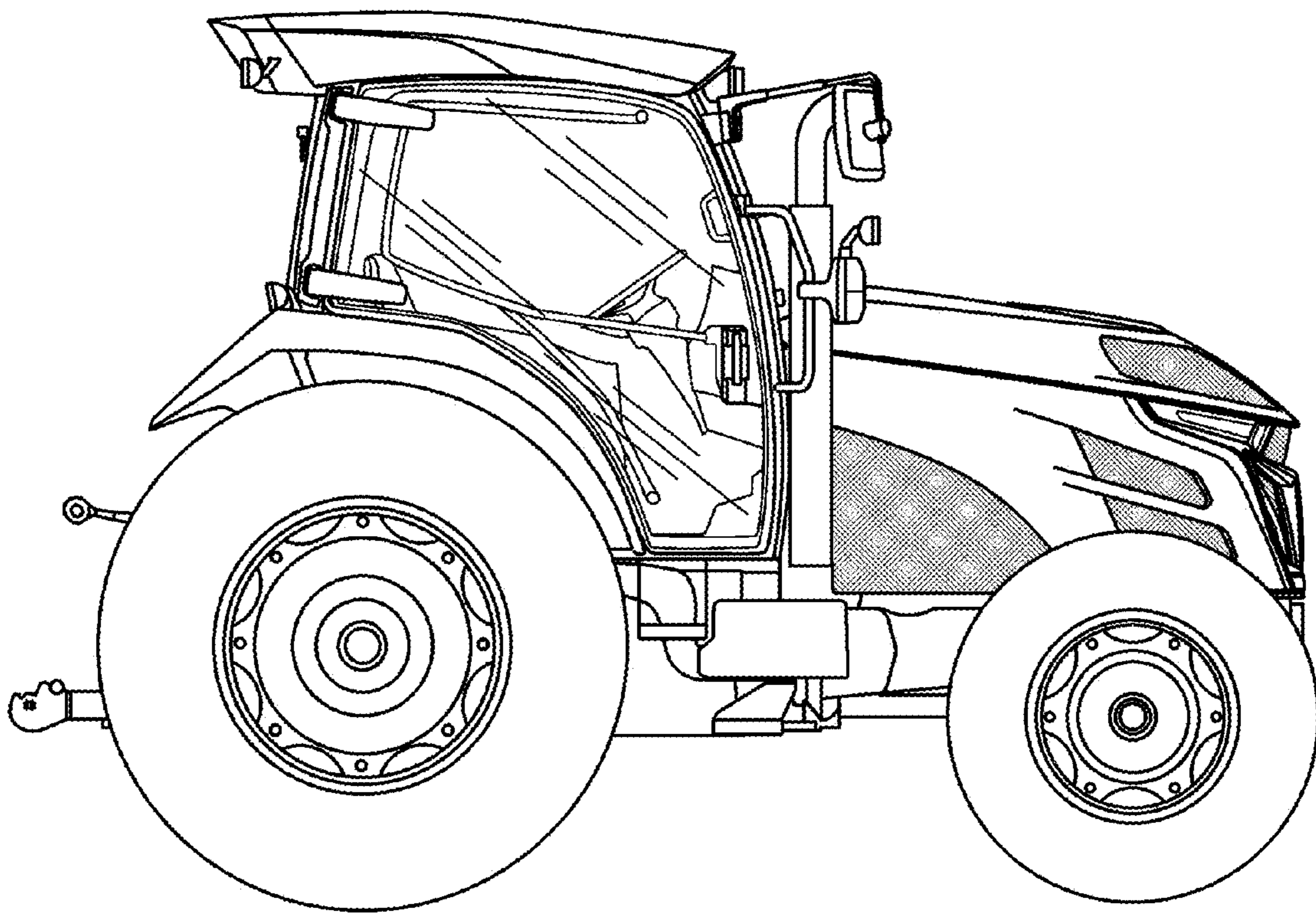


FIG. 3

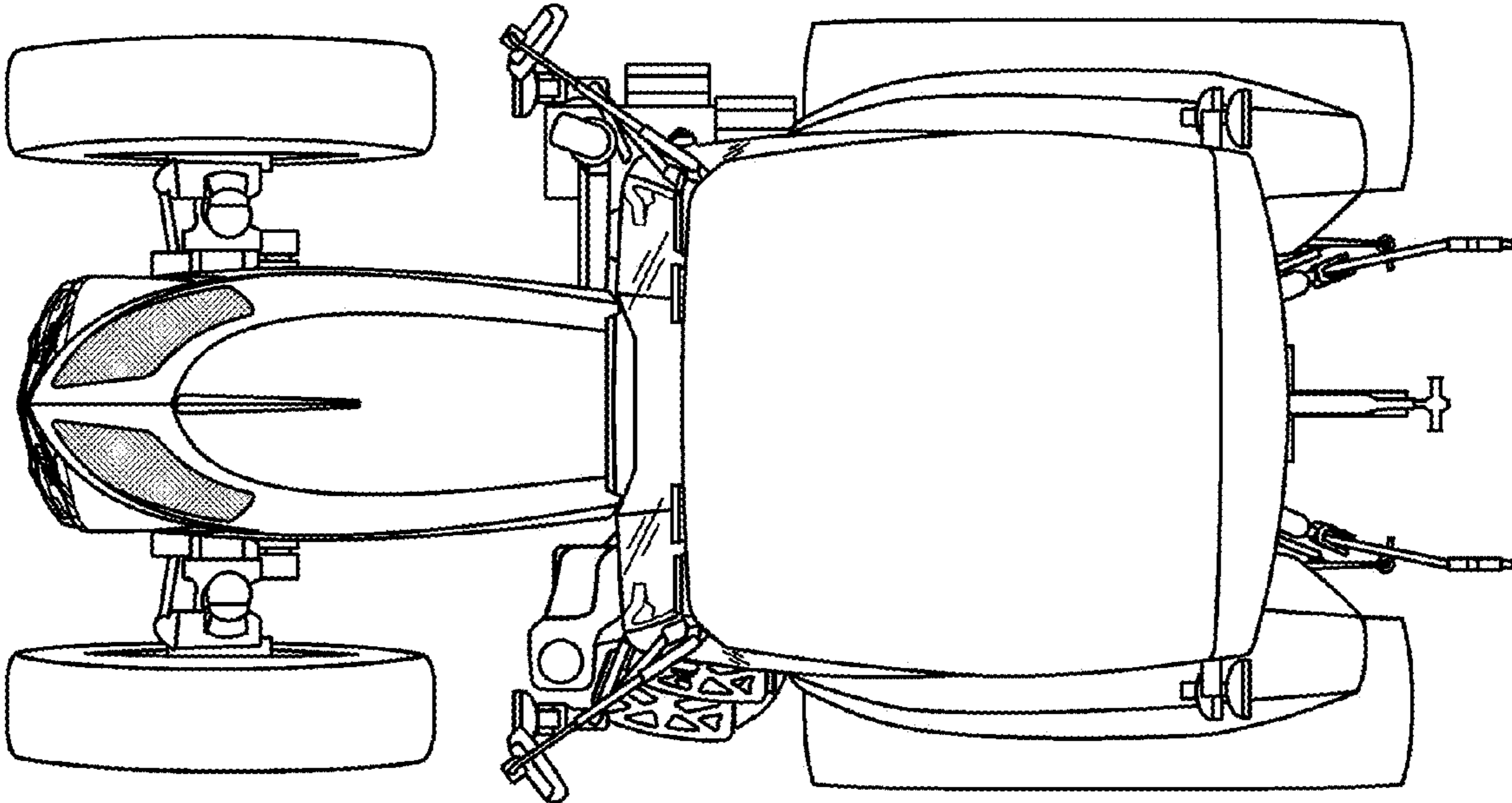


FIG. 4

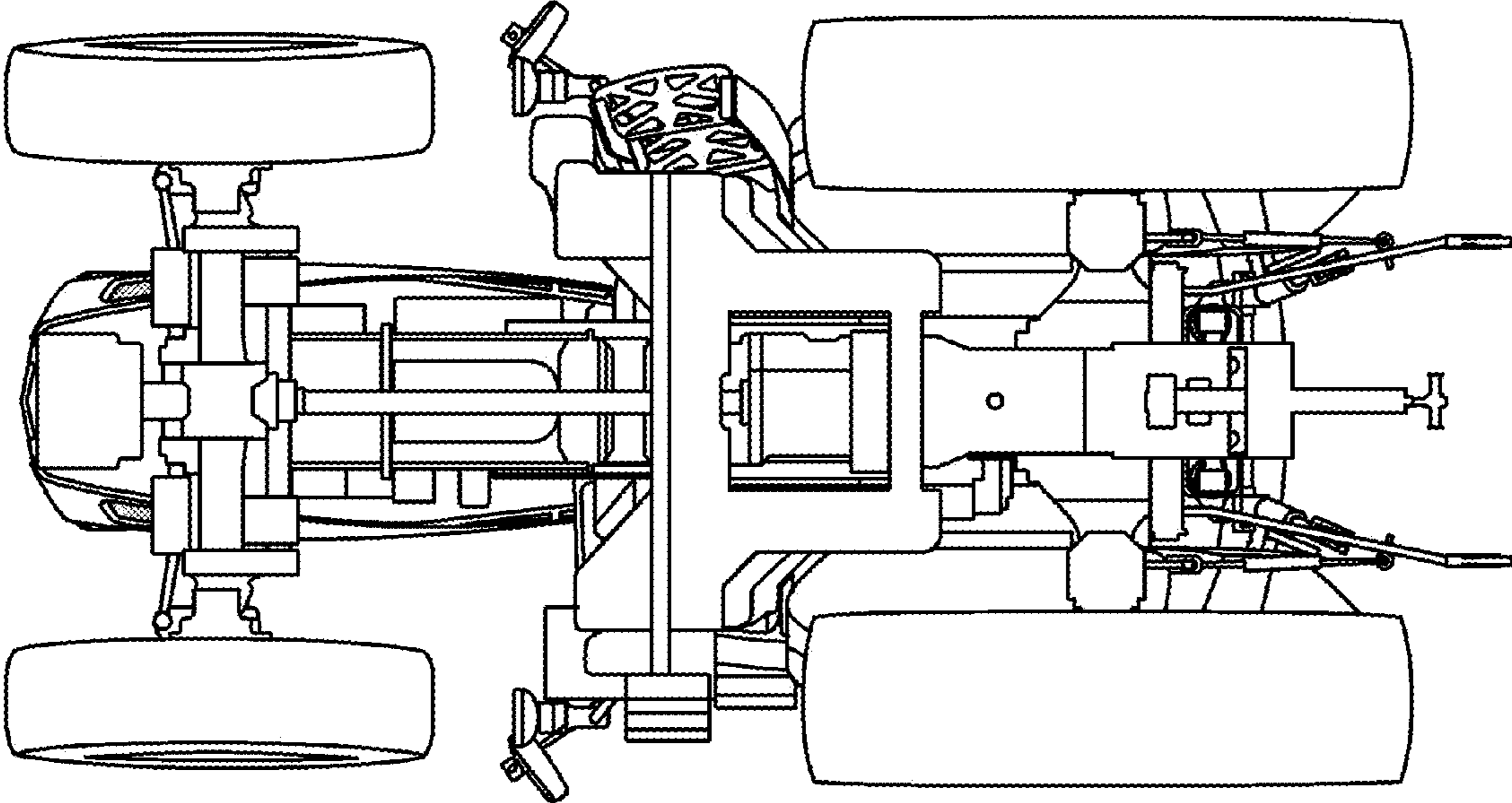


FIG. 5

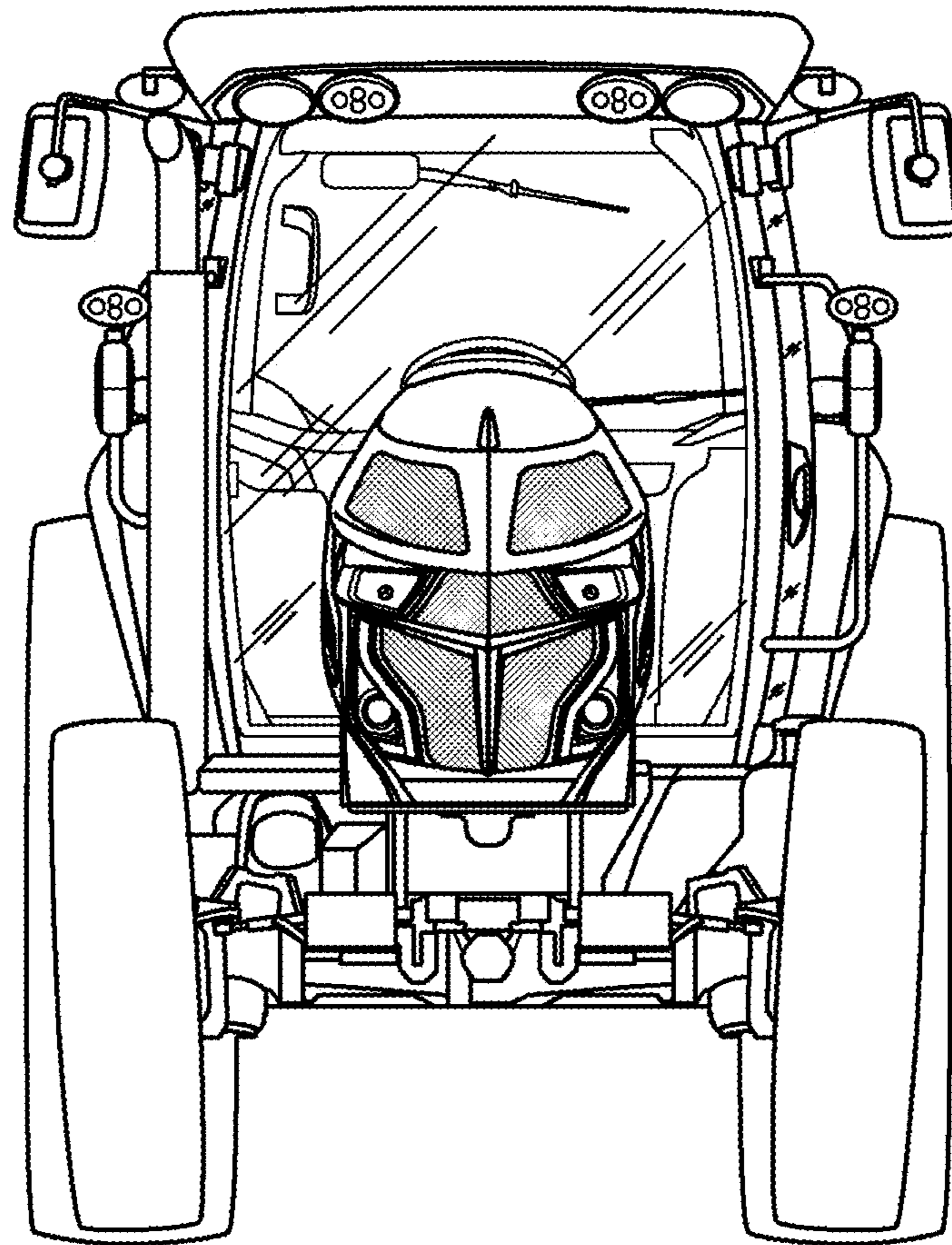


FIG. 6

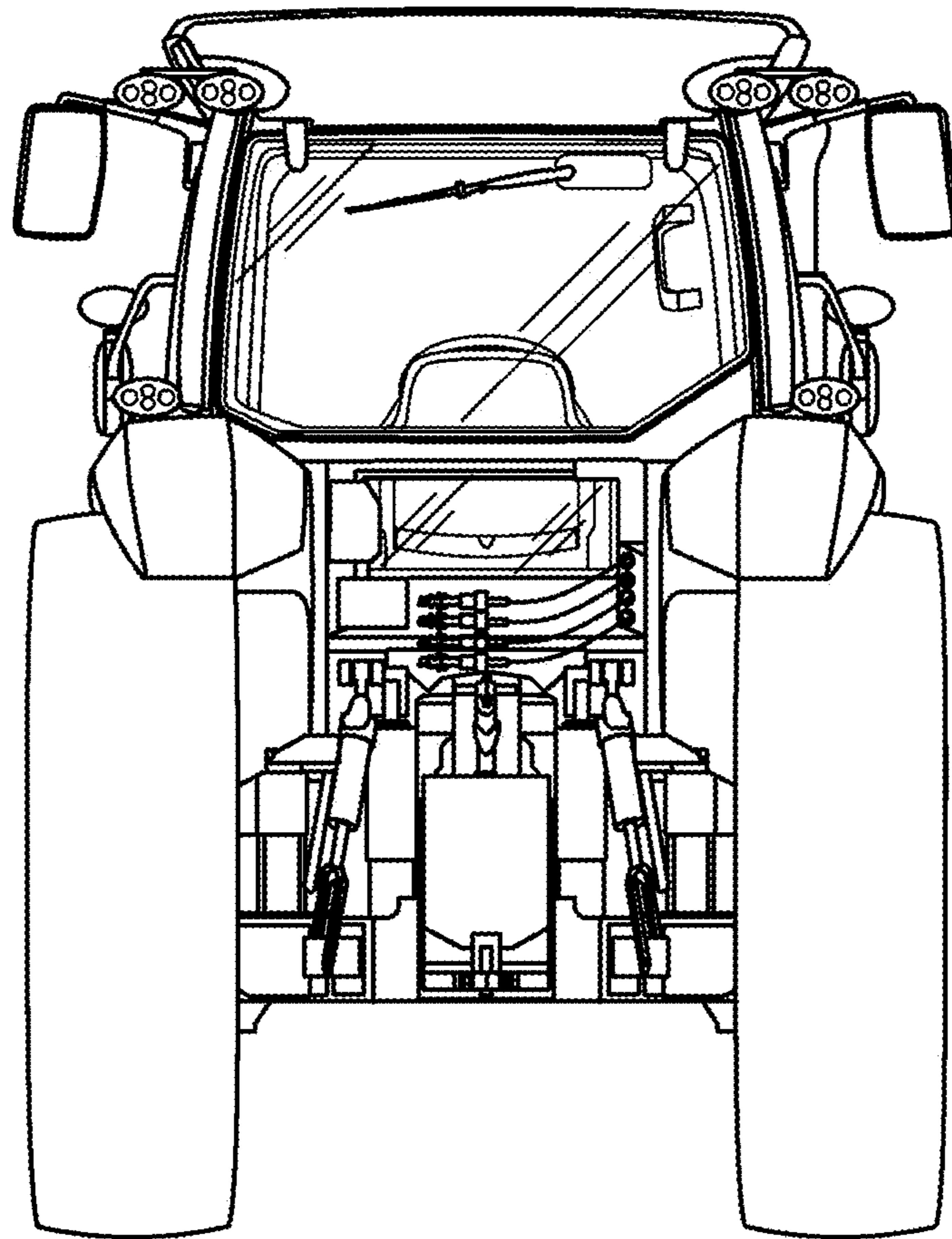


FIG. 7