



US00D756420S

(12) **United States Design Patent**
Okuyama et al.

(10) **Patent No.:** **US D756,420 S**
(45) **Date of Patent:** **** May 17, 2016**

(54) **WHEEL LOADER**

(71) Applicant: **Yanmar Co., Ltd.**, Osaka-shi (JP)

(72) Inventors: **Kiyoyuki Okuyama**, Yamagata (JP);
Satoshi Kitahara, Chikugo (JP);
Nagahiro Ogata, Chikugo (JP);
Tsuyoshi Nakahara, Chikugo (JP);
Yoshihisa Ishikawa, Chikugo (JP)

(73) Assignee: **Yanmar Co., Ltd.**, Osaka (JP)

(**) Term: **14 Years**

(21) Appl. No.: **29/519,371**

(22) Filed: **Mar. 4, 2015**

(30) **Foreign Application Priority Data**
Sep. 5, 2014 (JP) D2014-19747

(51) **LOC (10) Cl.** **12-09**

(52) **U.S. Cl.**
USPC **D15/23**; D15/25

(58) **Field of Classification Search**
USPC D15/10, 22-26, 33; D21/431; 37/403,
37/409, 442, 443; 180/89.1, 89.12, 89.13;
296/190.03; 414/685, 694, 722, 724
CPC E02F 9/0841; E02F 3/3411; E02F 3/76;
E02F 3/34; E02F 3/00; E02F 7/00; B62D
21/186; B62D 53/028
See application file for complete search history.

8,070,412 B2 * 12/2011 Shioji E02F 3/3411
172/275

D652,061 S * 1/2012 Hiraoka D15/23

D652,062 S * 1/2012 Hiraoka D15/23

D682,888 S * 5/2013 Iwata D15/25

D682,889 S * 5/2013 Iwata D15/25

D682,890 S * 5/2013 Iwata D15/25

D693,853 S * 11/2013 Hiraoka D15/23

D705,273 S * 5/2014 Furuki D15/25

D708,232 S * 7/2014 Furuki D15/23

8,857,547 B1 * 10/2014 Shiina E02F 9/0866
180/68.3

2009/0252586 A1 * 10/2009 Sumiyoshi B60T 11/062
414/685

2010/0098522 A1 * 4/2010 Shioji E02F 9/0841
414/722

2010/0320807 A1 * 12/2010 Shioji B62D 21/186
296/203.04

2013/0071214 A1 * 3/2013 Ito B60K 6/48
414/685

2014/0219761 A1 * 8/2014 Moriguchi F16H 57/045
414/685

2015/0275480 A1 * 10/2015 Iwamoto E02F 9/0866
180/291

2015/0315767 A1 * 11/2015 Miyamoto E02F 3/283
701/50

2015/0361636 A1 * 12/2015 Yoshizawa B60K 6/445
701/50

* cited by examiner

Primary Examiner — Mark Goodwin
(74) *Attorney, Agent, or Firm* — Sterne, Kessler, Goldstein & Fox P.L.L.C.

(57) **CLAIM**
The ornamental design for a wheel loader, as shown and described.

DESCRIPTION

FIG. 1 is a rear perspective view of a wheel loader showing our new design;
FIG. 2 is a front view thereof;
FIG. 3 is a rear view thereof;
FIG. 4 is a top plan view thereof;
FIG. 5 is a bottom plan view thereof;
FIG. 6 is a left side view thereof; and,
FIG. 7 is a right side view thereof.

1 Claim, 7 Drawing Sheets

(56) **References Cited**

U.S. PATENT DOCUMENTS

D326,858 S * 6/1992 Skeel D15/25

D358,157 S * 5/1995 Kusunoki D15/25

D364,408 S * 11/1995 Bryant D15/25

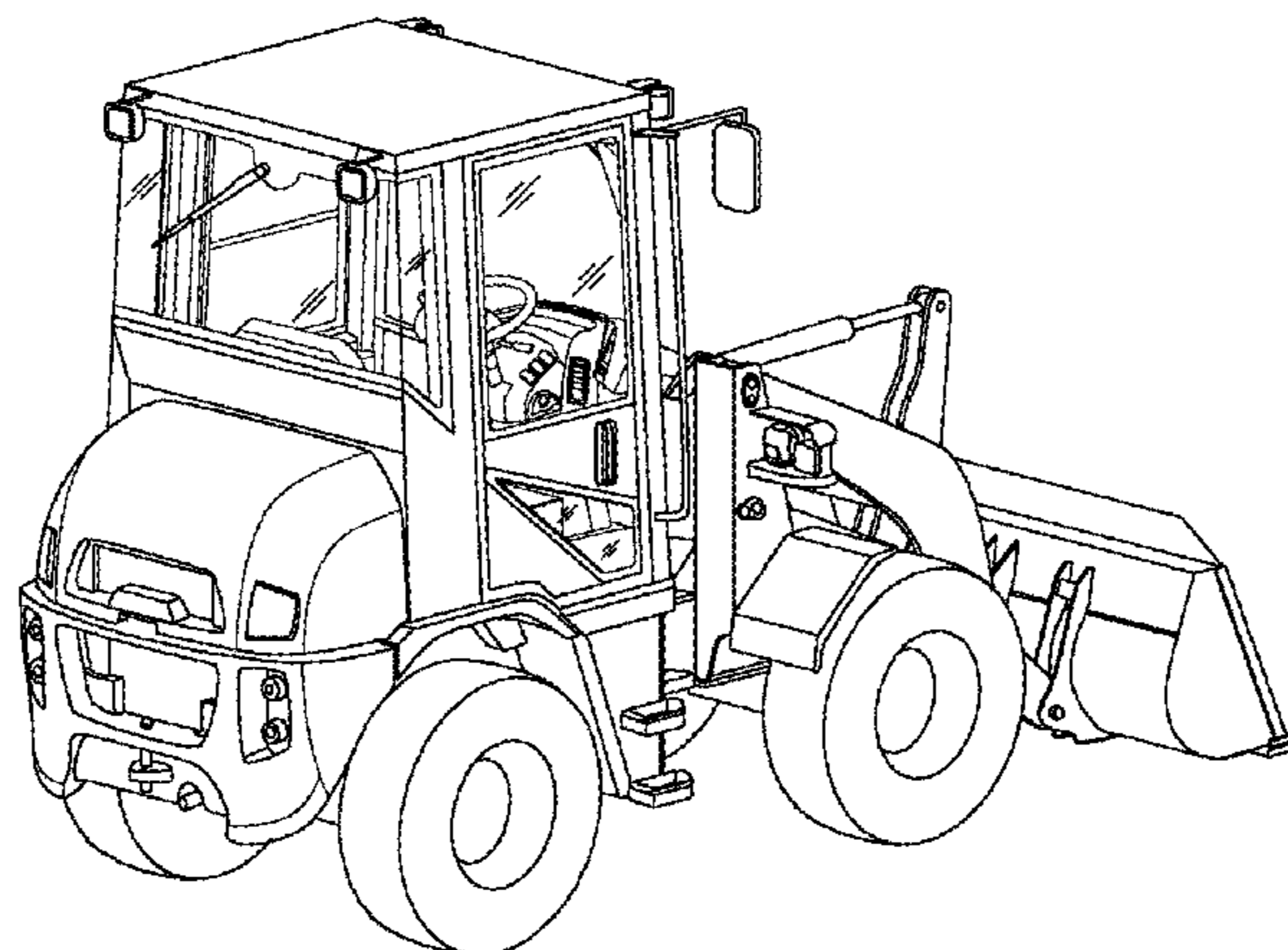
D405,807 S * 2/1999 Amy D15/25

D410,930 S * 6/1999 Kim D15/25

6,609,587 B1 * 8/2003 Smith B62D 21/186
180/418

D549,738 S * 8/2007 Hiraoka D15/25

D590,846 S * 4/2009 Kinsinger D15/22



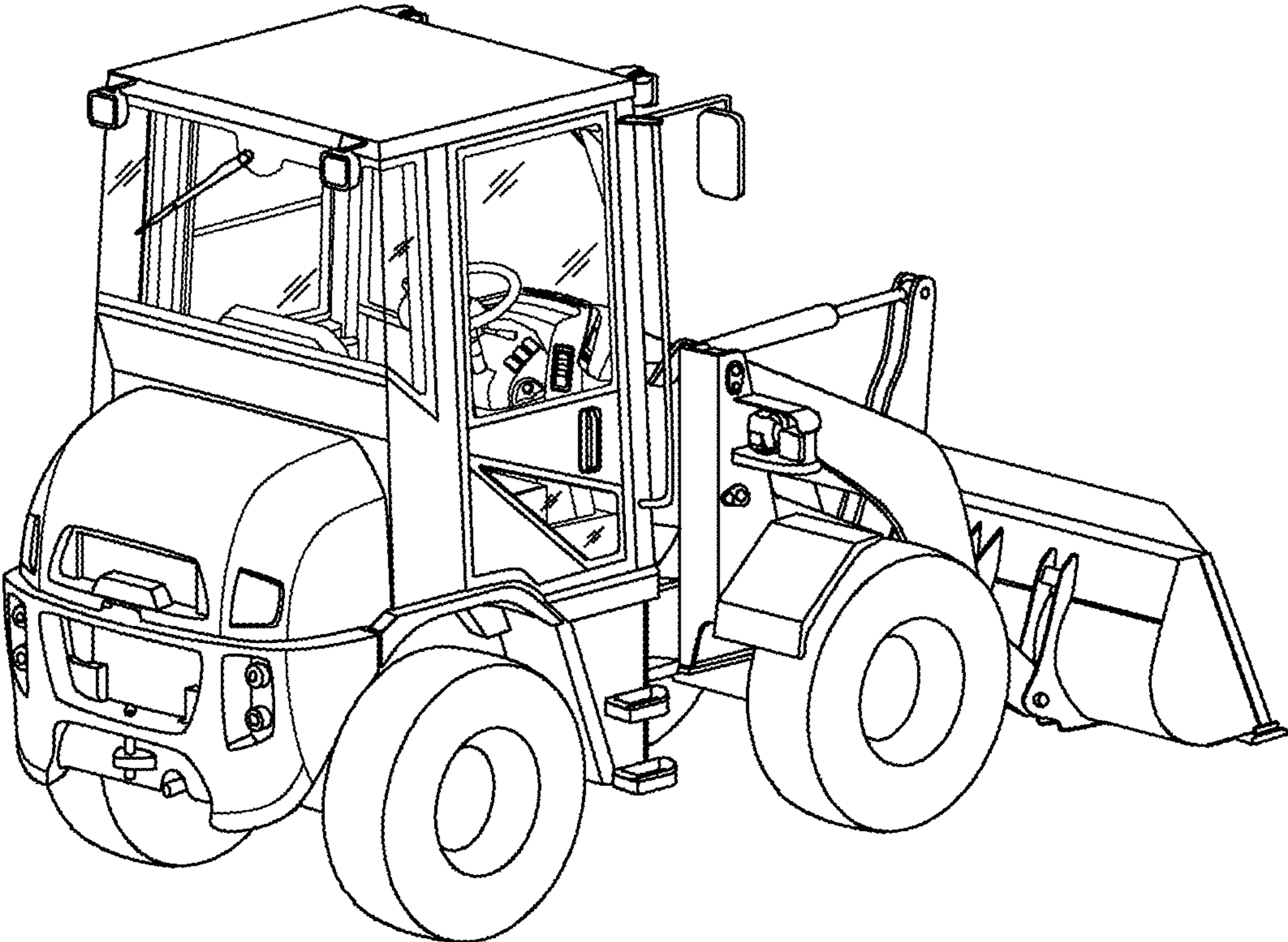


FIG. 1

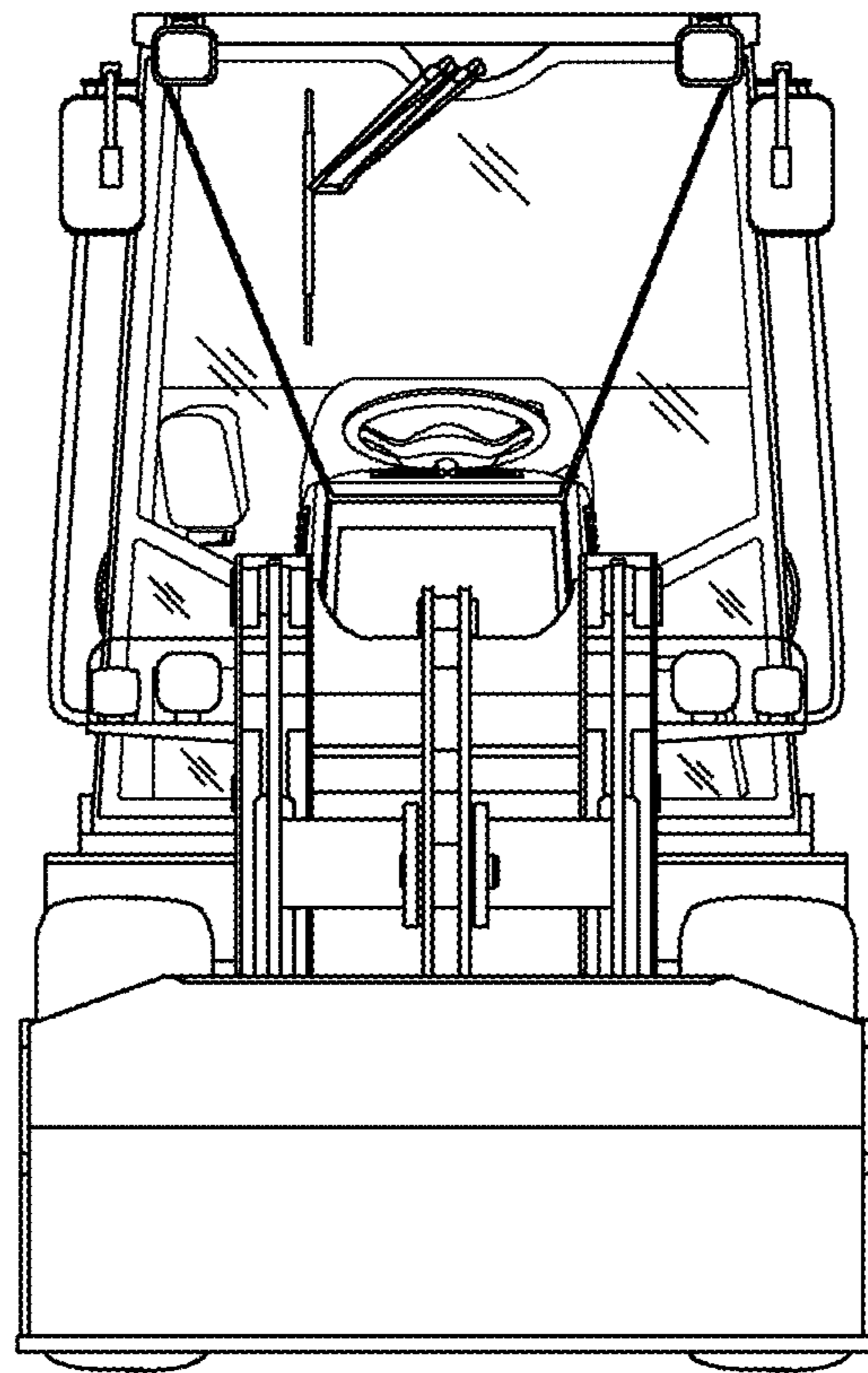


FIG. 2

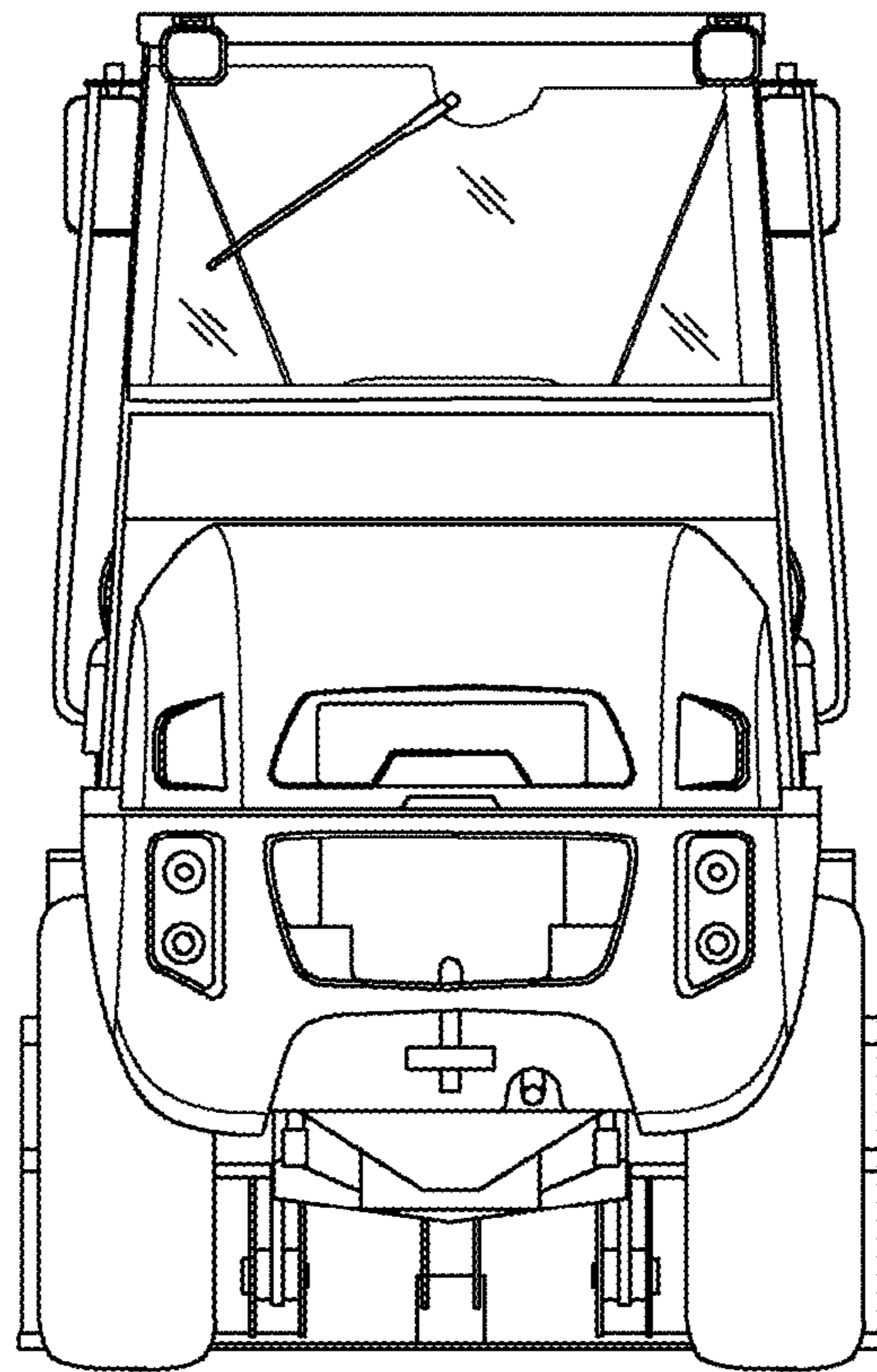


FIG. 3

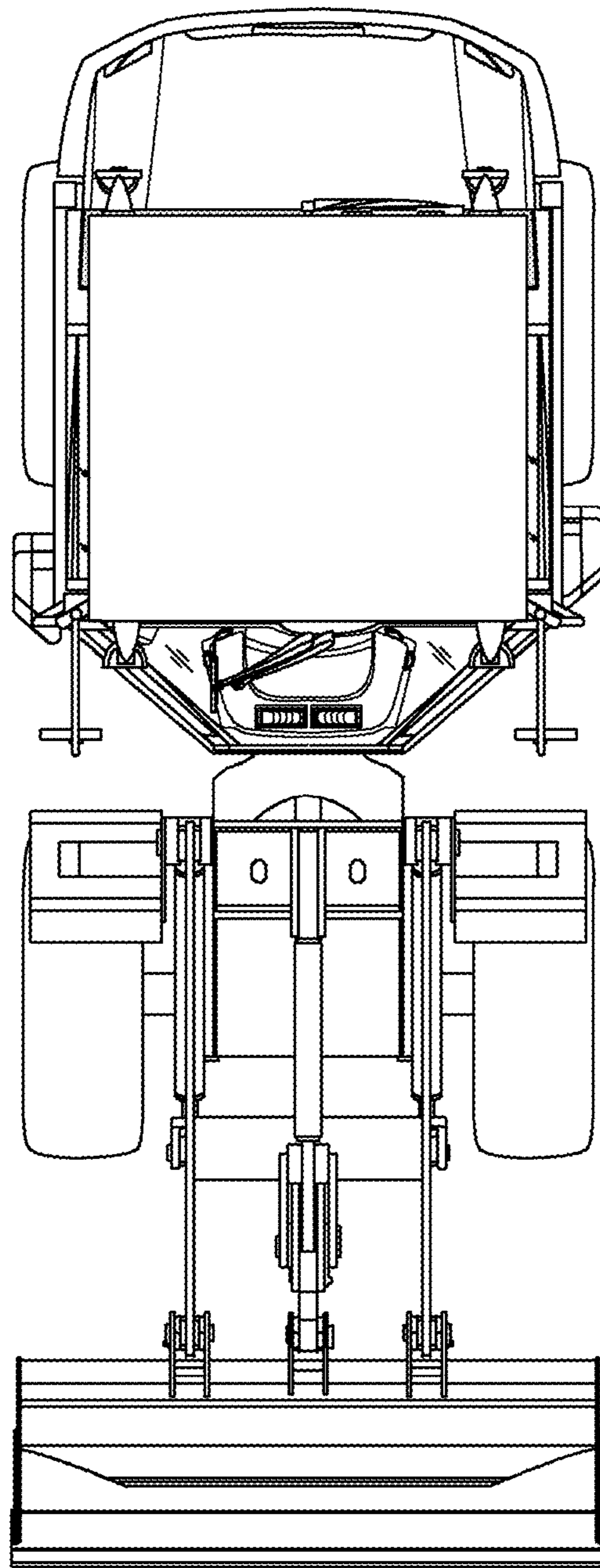


FIG. 4

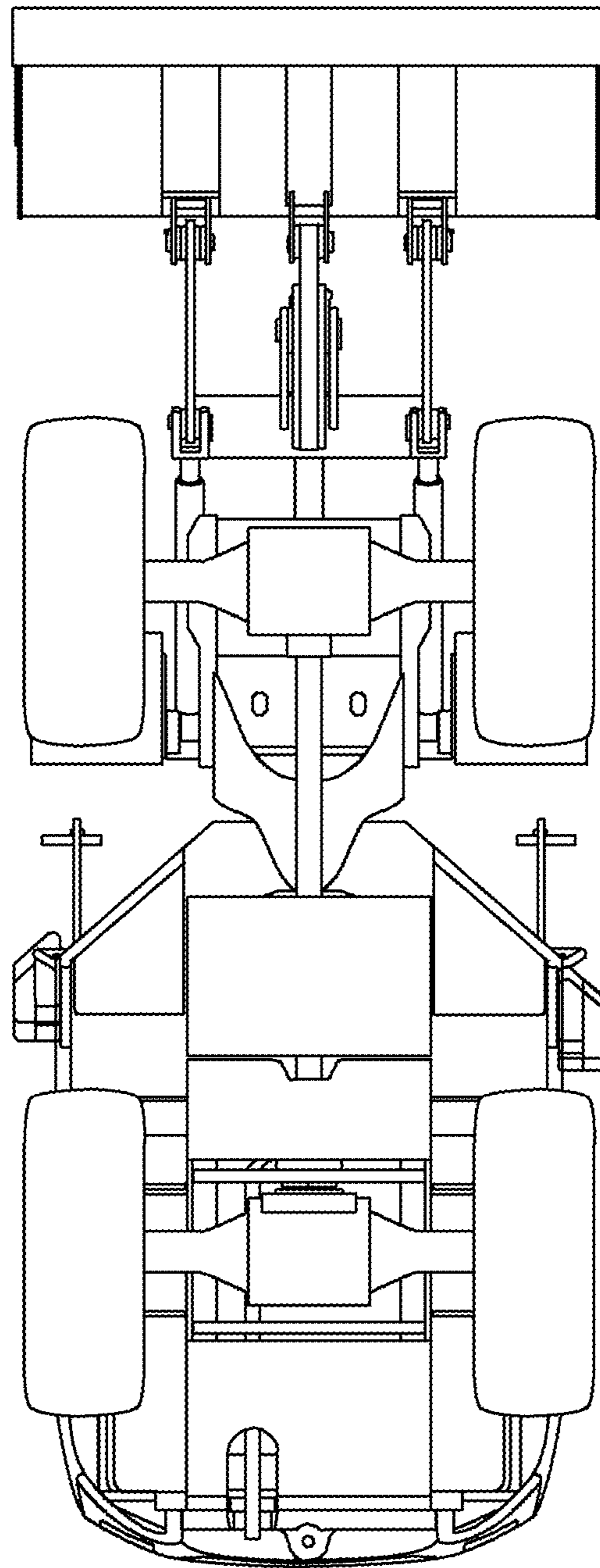


FIG. 5

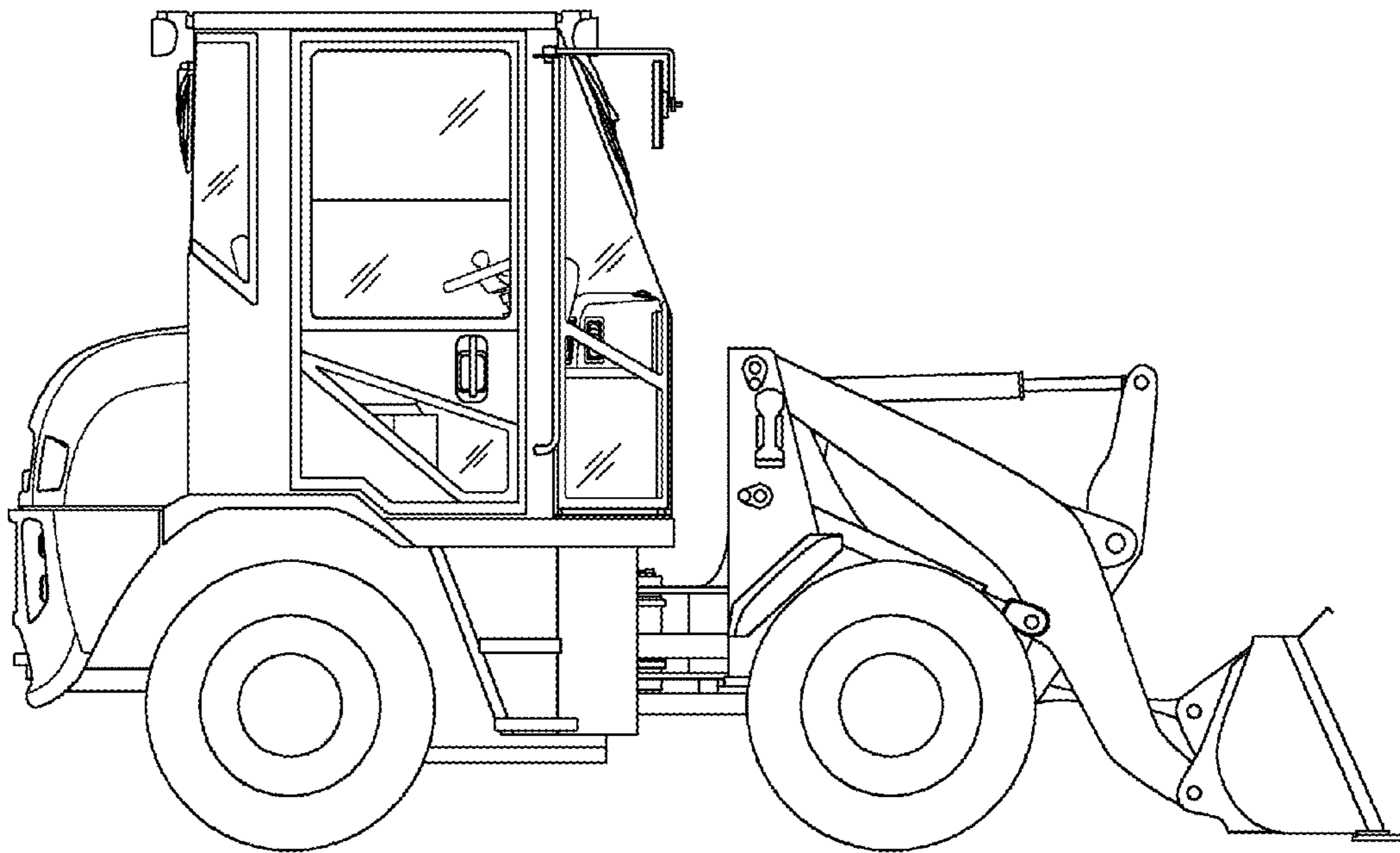


FIG. 6

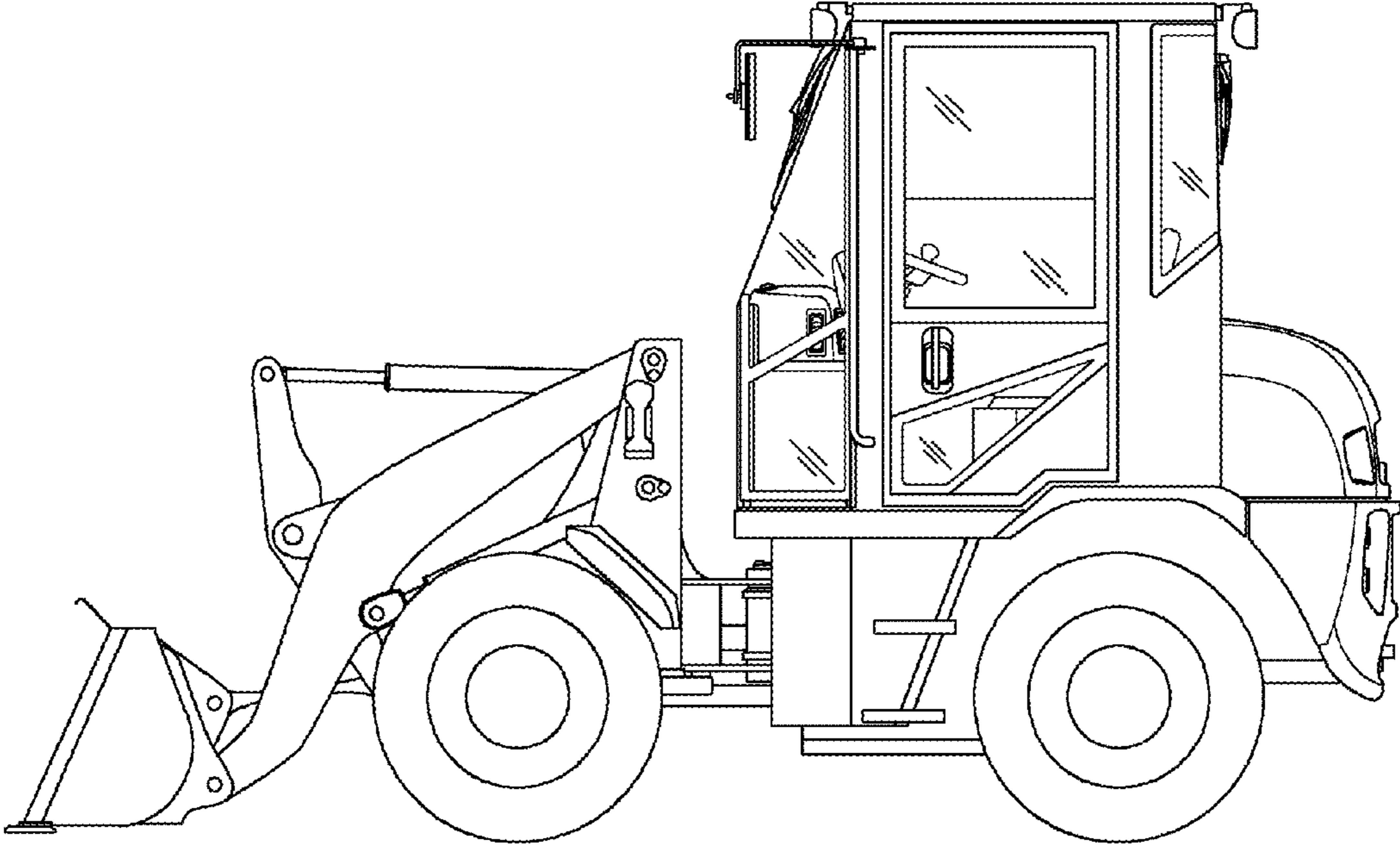


FIG. 7