



US00D756419S

(12) **United States Design Patent**
Tateishi et al.

(10) **Patent No.:** **US D756,419 S**
(45) **Date of Patent:** **** May 17, 2016**

(54) **BELT TYPE OPTICAL SORTER**
(71) Applicant: **SATAKE CORPORATION**,
Chiyoda-ku, Tokyo (JP)
(72) Inventors: **Yoshikazu Tateishi**, Tokyo (JP); **Ryo Marukawa**, Tokyo (JP); **Ryo Kakutani**, Tokyo (JP)
(73) Assignee: **SATAKE CORPORATION**,
Chiyoda-Ku, Tokyo (JP)

D560,233 S * 1/2008 Bee D15/122
D681,063 S * 4/2013 Kanemoto D15/10
D707,275 S * 6/2014 Ito D15/147
9,024,223 B2 * 5/2015 Miyamoto B07C 5/342
209/580
2010/0131094 A1 * 5/2010 Green A61K 9/0019
700/223
2014/0244027 A1 * 8/2014 Green B07C 5/34
700/223

(**) Term: **14 Years**
(21) Appl. No.: **29/507,625**
(22) Filed: **Oct. 29, 2014**

FOREIGN PATENT DOCUMENTS
JP 1483594 11/2013
* cited by examiner
Primary Examiner — Mitchell Siegel
(74) *Attorney, Agent, or Firm* — Taft Stettinius & Hollister LLP

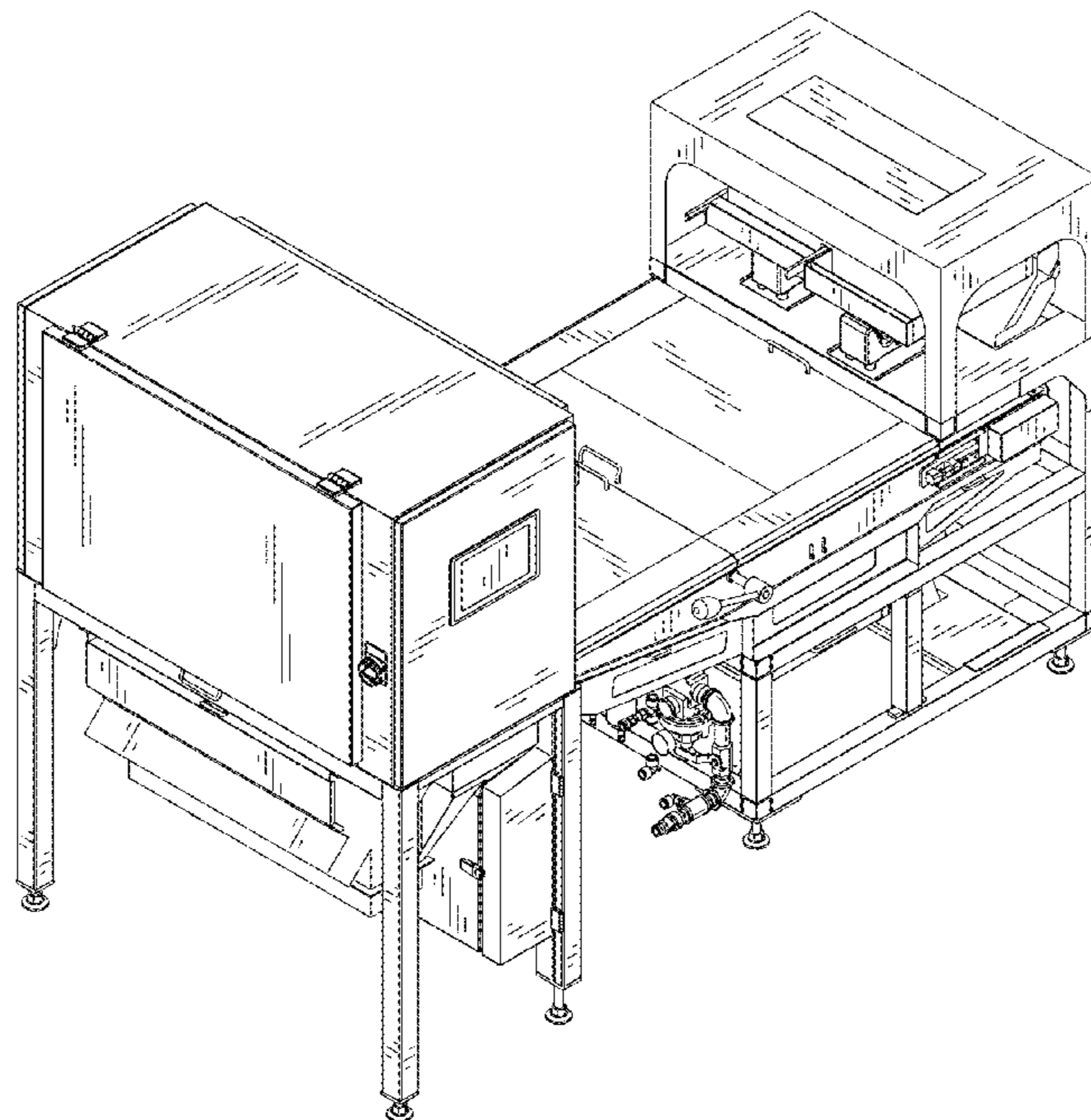
(30) **Foreign Application Priority Data**
May 9, 2014 (JP) 2014-009951
(51) **LOC (10) Cl.** **15-03**
(52) **U.S. Cl.**
USPC **D15/10**
(58) **Field of Classification Search**
USPC D15/10, 122, 147
CPC B07C 5/36; B07C 5/34; B07C 5/342
See application file for complete search history.

(57) **CLAIM**
The ornamental design for a belt type optical sorter, as shown and described.

(56) **References Cited**
U.S. PATENT DOCUMENTS
4,385,700 A * 5/1983 Hodges B07C 5/36
198/446
4,599,786 A * 7/1986 Uhtenwoldt B23Q 7/046
483/14
D556,795 S * 12/2007 Bee D15/122

DESCRIPTION
FIG. 1 is a perspective view of a belt type optical sorter showing the new design;
FIG. 2 is a front view thereof;
FIG. 3 is a rear view thereof;
FIG. 4 is a right side view thereof;
FIG. 5 is left side view thereof;
FIG. 6 is a top plan view thereof; and,
FIG. 7 is a bottom plan view thereof.

1 Claim, 7 Drawing Sheets



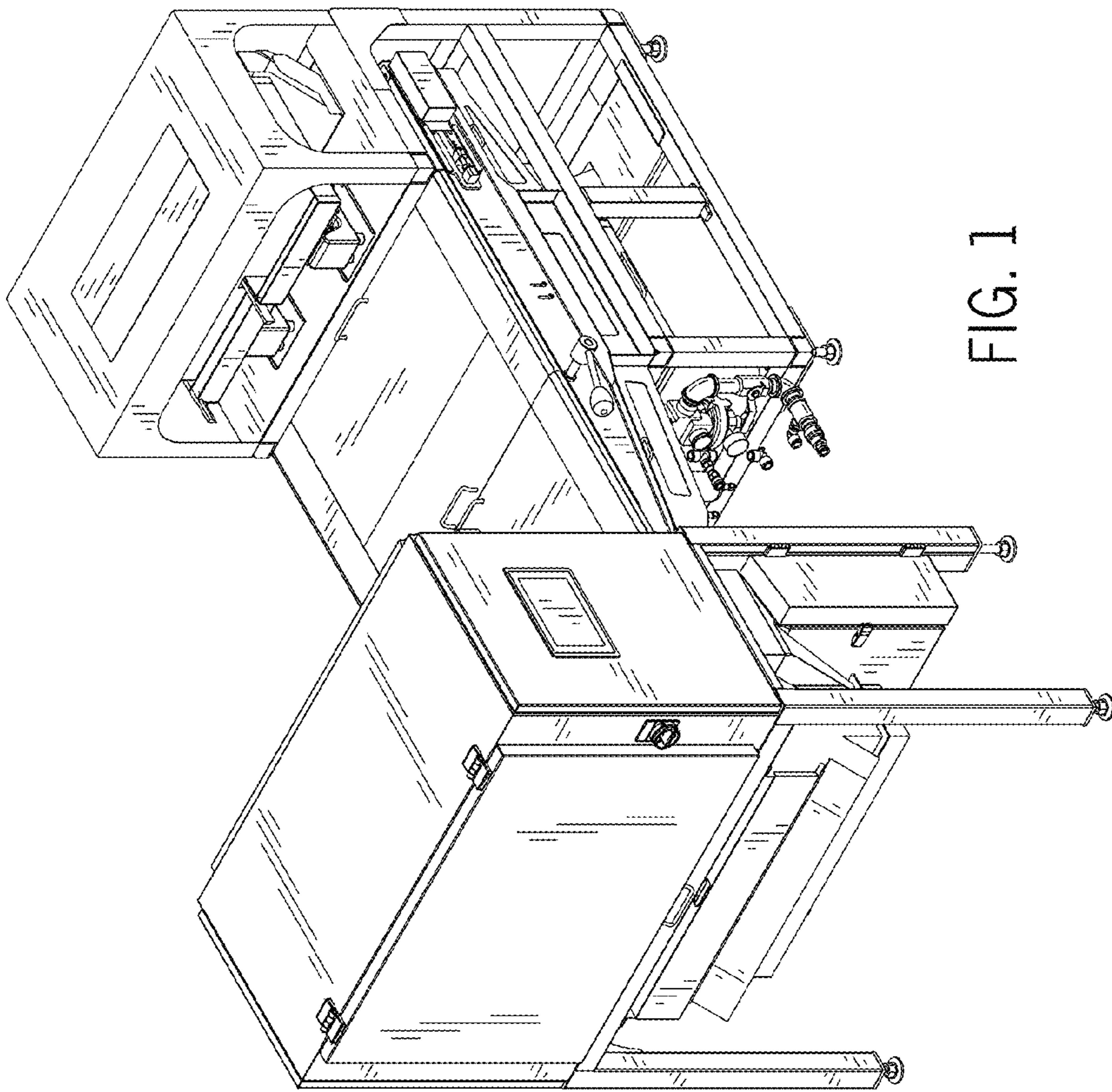


FIG. 1

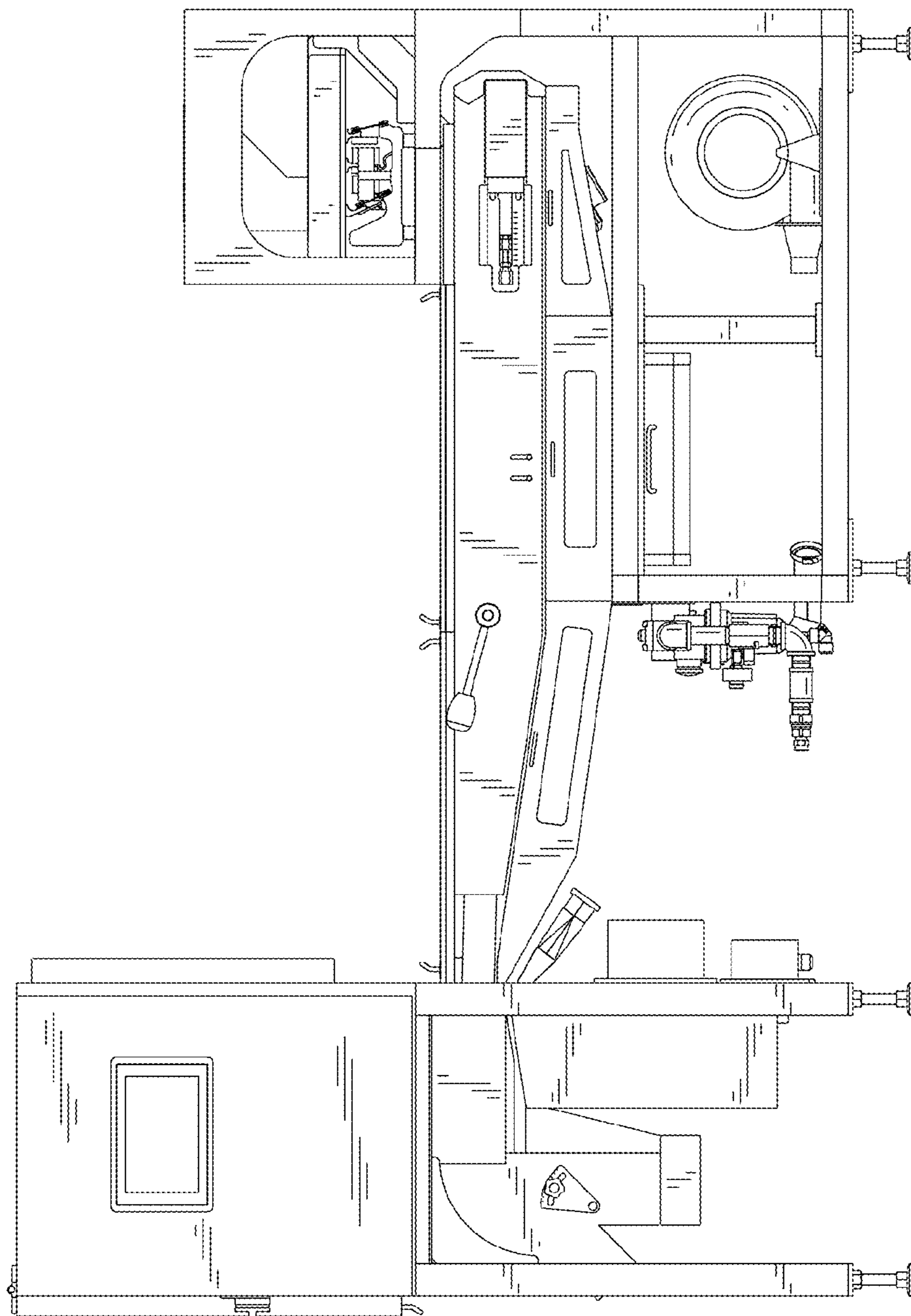


FIG. 2

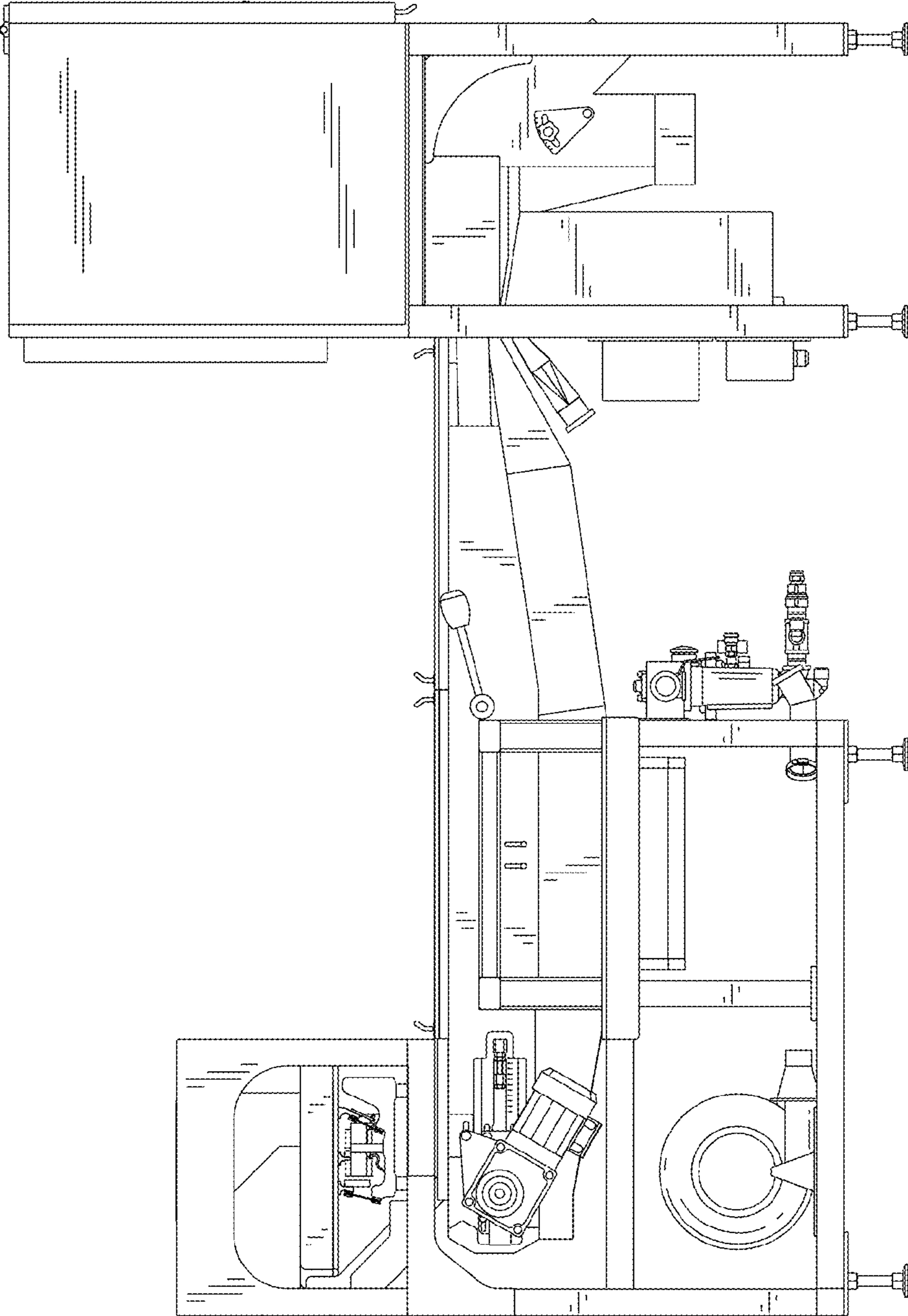


FIG. 3

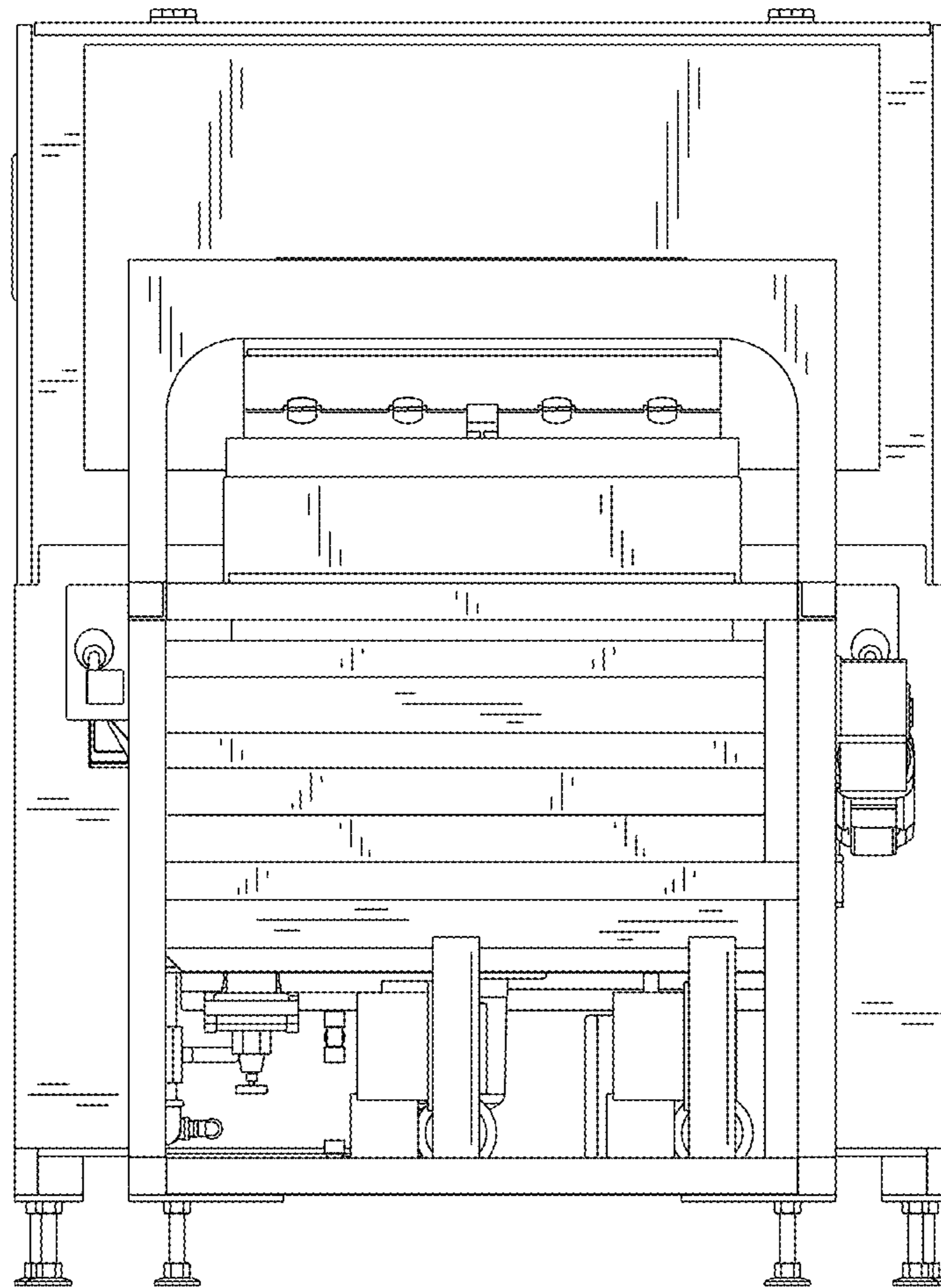


FIG. 4

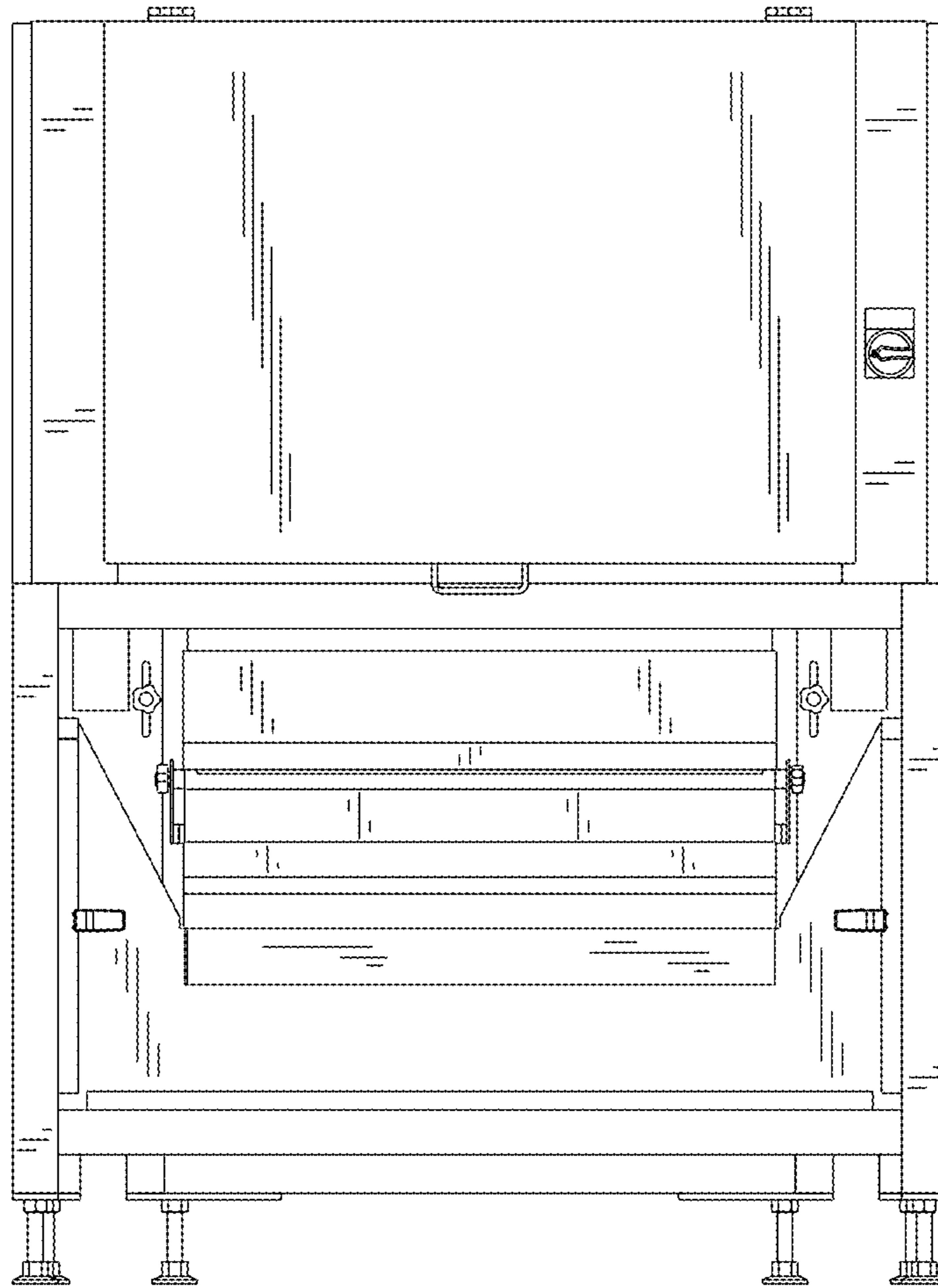


FIG. 5

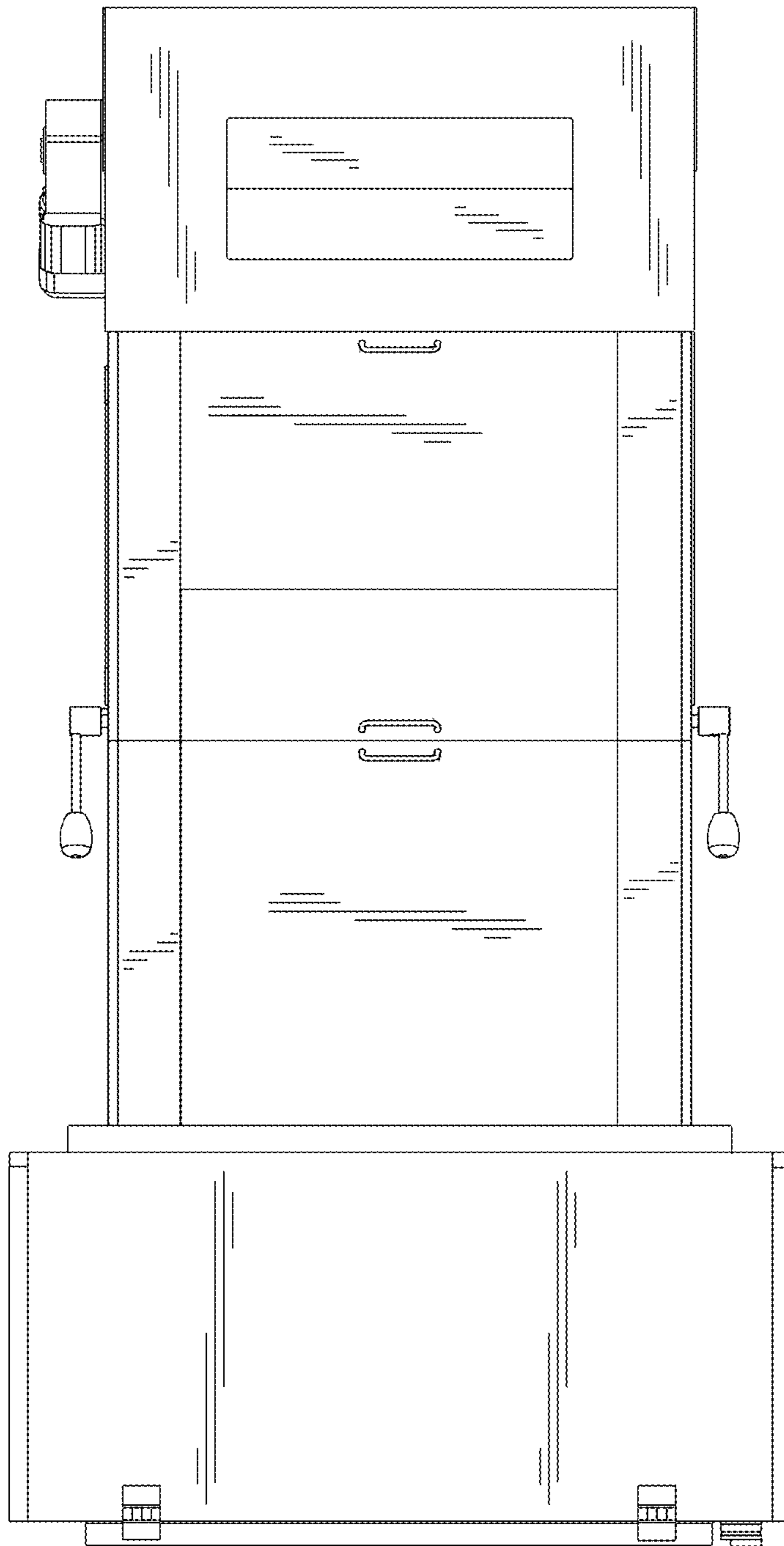


FIG. 6

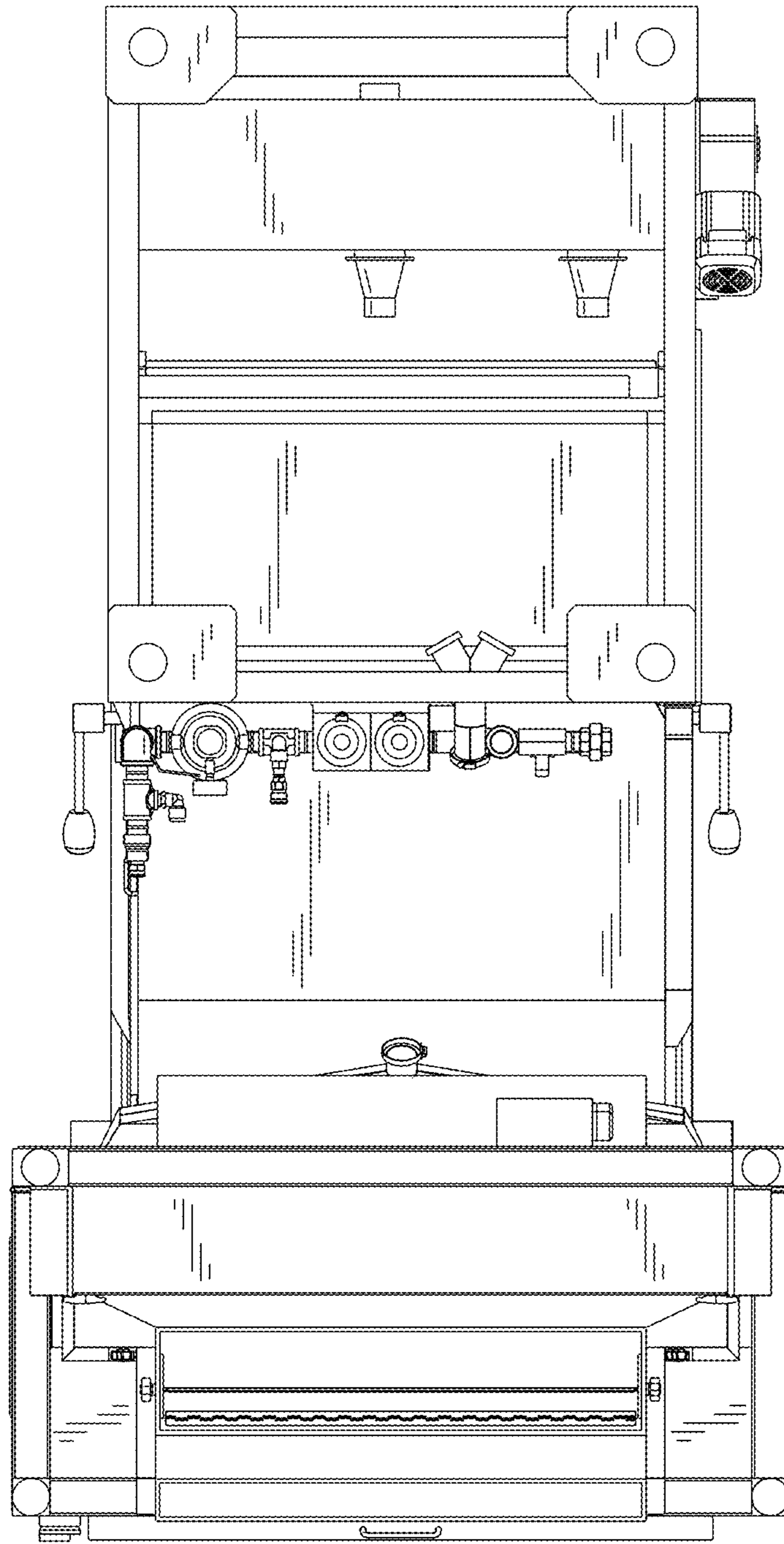


FIG. 7