



US00D756413S

(12) **United States Design Patent**
Kang

(10) **Patent No.:** **US D756,413 S**

(45) **Date of Patent:** **** May 17, 2016**

(54) **DISPLAY SCREEN OR PORTION THEREOF WITH GRAPHICAL USER INTERFACE**

D740,318 S *	10/2015	Chaudhri	D14/492
D741,339 S *	10/2015	Jung	D14/485
D744,530 S *	12/2015	Jung	D14/489
D745,043 S *	12/2015	Jung	D14/489
D745,889 S *	12/2015	Jung	D14/492
D745,890 S *	12/2015	Lee	D14/492

(71) Applicant: **Samsung Electronics Co., Ltd.**,
Suwon-si (KR)

(72) Inventor: **Cheol-Hoon Kang**, Seoul (KR)

FOREIGN PATENT DOCUMENTS

(73) Assignee: **SAMSUNG ELECTRONICS CO., LTD.**, Suwon-Si (KR)

EM	002065342-0016	7/2012
EM	002142141-0004	11/2012
KR	300738656	4/2014

(**) Term: **14 Years**

OTHER PUBLICATIONS

(21) Appl. No.: **29/509,056**

<http://portal.gost-barefoots.com/en/Service/Paleos-ULTRA/ULTRA-Size-Advice?printview=1>, date accessed: Nov. 7, 2014.

(22) Filed: **Nov. 13, 2014**

* cited by examiner

(30) **Foreign Application Priority Data**

Aug. 25, 2014 (KR) 30-2014-0041397

(51) **LOC (10) Cl.** **14-04**

(52) **U.S. Cl.**
USPC **D14/492**

(58) **Field of Classification Search**
USPC D14/485–495
See application file for complete search history.

Primary Examiner — Sheryl Lane

Assistant Examiner — Nicole Shiflet

(74) *Attorney, Agent, or Firm* — McAndrews Held & Malloy, Ltd.

(57) **CLAIM**

The ornamental design for a display screen or portion thereof with graphical user interface, as shown and described.

DESCRIPTION

FIG. 1 is a front view of a display screen or portion thereof with graphical user interface showing my new design; and, FIG. 2 is an additional front view thereof showing additional, unclaimed subject matter.

The dot-dash broken lines define the bounds of the claimed design and form no part thereof. The dash-dash broken lines in FIG. 2 show a display screen or portion thereof and portions of the graphical user interface and form no part of the claimed design.

1 Claim, 2 Drawing Sheets

(56) **References Cited**

U.S. PATENT DOCUMENTS

D667,450 S *	9/2012	Eby	D14/492
D682,879 S *	5/2013	Eikenberry	D14/489
D687,849 S *	8/2013	Jou	D14/486
D688,697 S *	8/2013	Phelan	D14/489
D688,698 S *	8/2013	Phelan	D14/489
D724,100 S *	3/2015	Williams	D14/487
D725,132 S *	3/2015	Jou	D14/486
D731,546 S *	6/2015	Zhou	D14/491
D737,835 S *	9/2015	Jung	D14/486

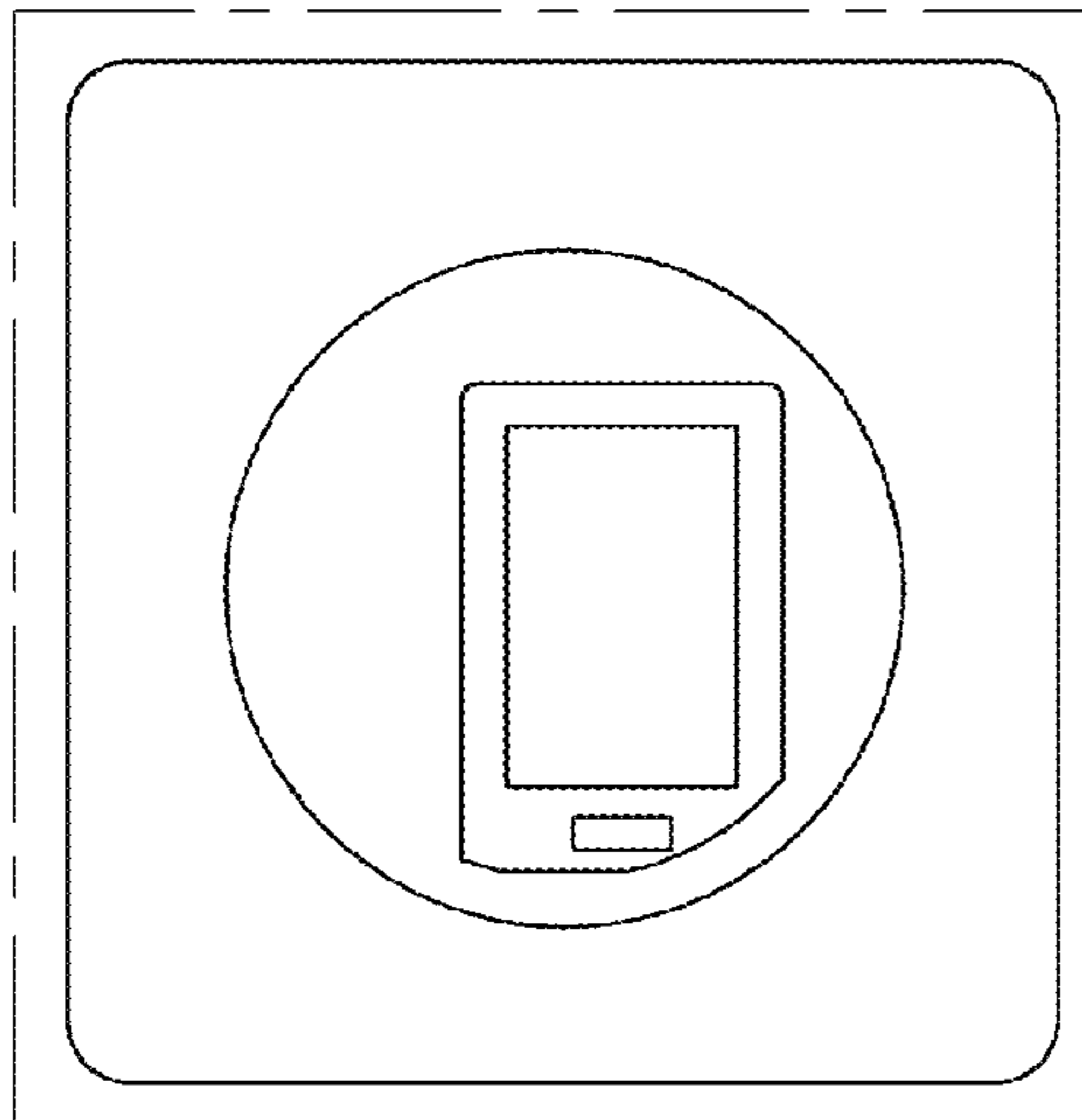


FIG. 1

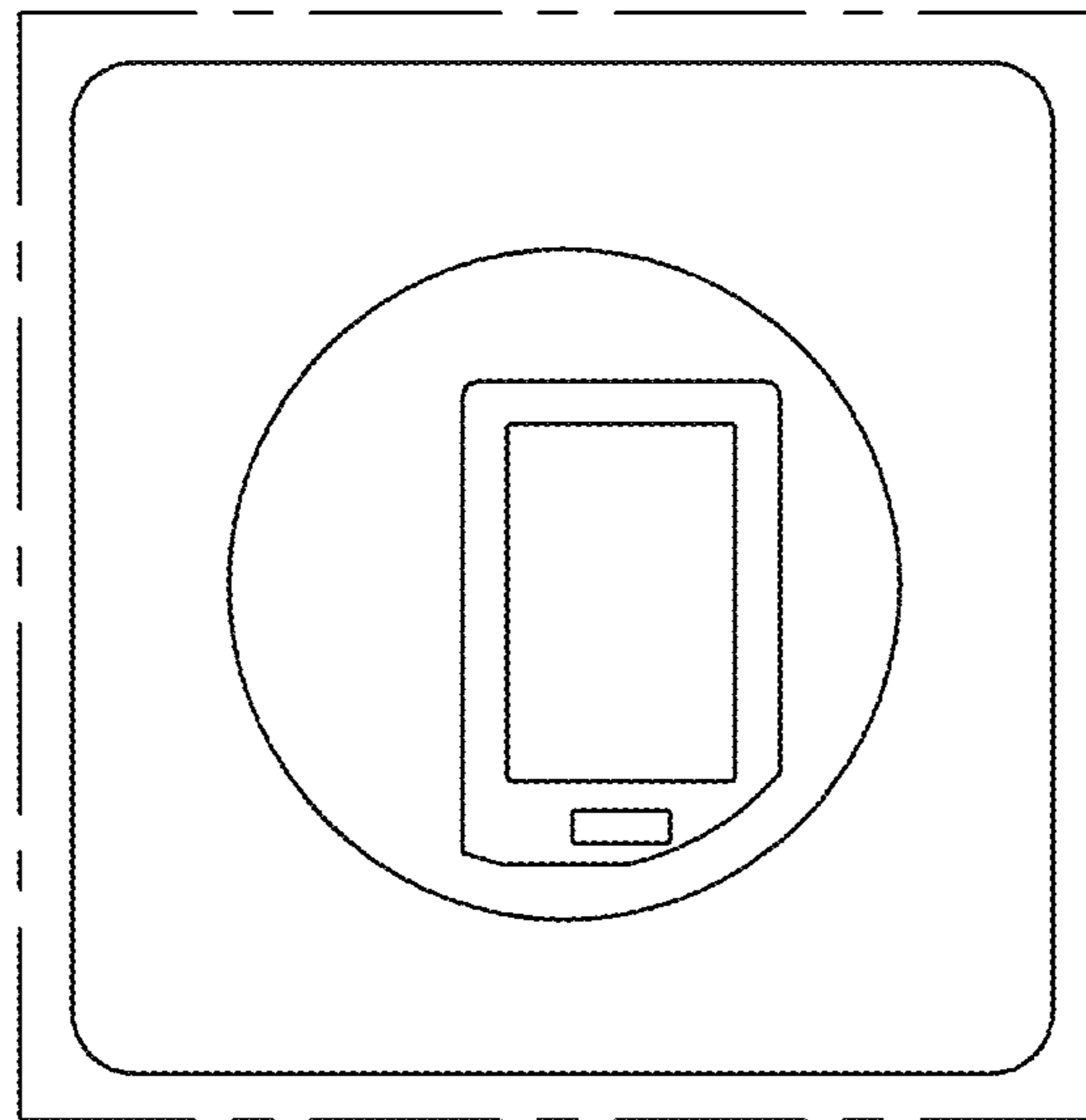


FIG. 2

