



US00D756409S

(12) **United States Design Patent**
Kang et al.

(10) **Patent No.:** **US D756,409 S**
(45) **Date of Patent:** **** May 17, 2016**

(54) **DISPLAY SCREEN OR PORTION THEREOF WITH ICON**

- (71) Applicant: **Samsung Electronics Co., Ltd.**, Suwon-si (KR)
- (72) Inventors: **Yoon Kyung Kang**, Seoul (KR); **Yu Kyung Lee**, Seoul (KR)
- (73) Assignee: **Samsung Electronics Co., Ltd.**, Suwon-si (KR)
- (**) Term: **14 Years**
- (21) Appl. No.: **29/495,320**
- (22) Filed: **Jun. 30, 2014**

(30) **Foreign Application Priority Data**

- Jan. 3, 2014 (KR) 30-2014-0000492
- (51) **LOC (10) Cl.** **14-04**
- (52) **U.S. Cl.**
USPC **D14/492**
- (58) **Field of Classification Search**
USPC D14/485-495; D20/11, 15, 22-28, 31, D20/32; 715/700-867, 961-978
CPC B60H 1/00; G06F 3/0481-3/17; H04L 41/22; H04L 12/282
See application file for complete search history.

(56) **References Cited**

U.S. PATENT DOCUMENTS

- D388,073 S * 12/1997 Yamamoto D14/492
- D688,695 S * 8/2013 Gardner D14/489
- D744,534 S * 12/2015 Sterling D14/489
- 2013/0326421 A1 * 12/2013 Jo G06F 3/0482 715/841

OTHER PUBLICATIONS

Iconfinder | Creative Stall | Easter Solid 1, posted on Jul. 29, 2015, © 2015 [online], [site visited Dec. 1, 2015]. Available from Internet, <URL: https://www.iconfinder.com/icons/633278/apron_easter_apron_easter_card_easter_greetings_wishing_card_icon#size=128>.*

Iconfinder | RNS Fonts | Kitchen Universe 1, posted on Apr. 22, 2014, © 2015 [online], [site visited Dec. 1, 2015]. Available from Internet, <URL: https://www.iconfinder.com/icons/276872/apron_pocket_icon>.*

Symbol Sourcebook: An Authoritative Guide to International Graphic Symbols, McGraw Hill Book Company, New York, NY © 1972, pp. 227.*

Trademark Serial No. 86424888, May 5, 2015 (published for opposition date), (Applicant) Blue Apron, Inc. Corporation Delaware, Trademark Electronic Service System (TESS).*

* cited by examiner

Primary Examiner — Cathron Brooks
Assistant Examiner — Cary M Robinson
 (74) *Attorney, Agent, or Firm* — NSIP Law

(57) **CLAIM**

We claim the ornamental design for a display screen or portion thereof with icon, as shown and described.

DESCRIPTION

FIG. 1 is a front view of display screen or portion thereof with icon showing our new design; and, FIG. 2 is a front view of another embodiment of the display screen or portion thereof with icon. The dot dash lines in the figures illustrate a boundary line and form no part of the claimed design.

1 Claim, 1 Drawing Sheet

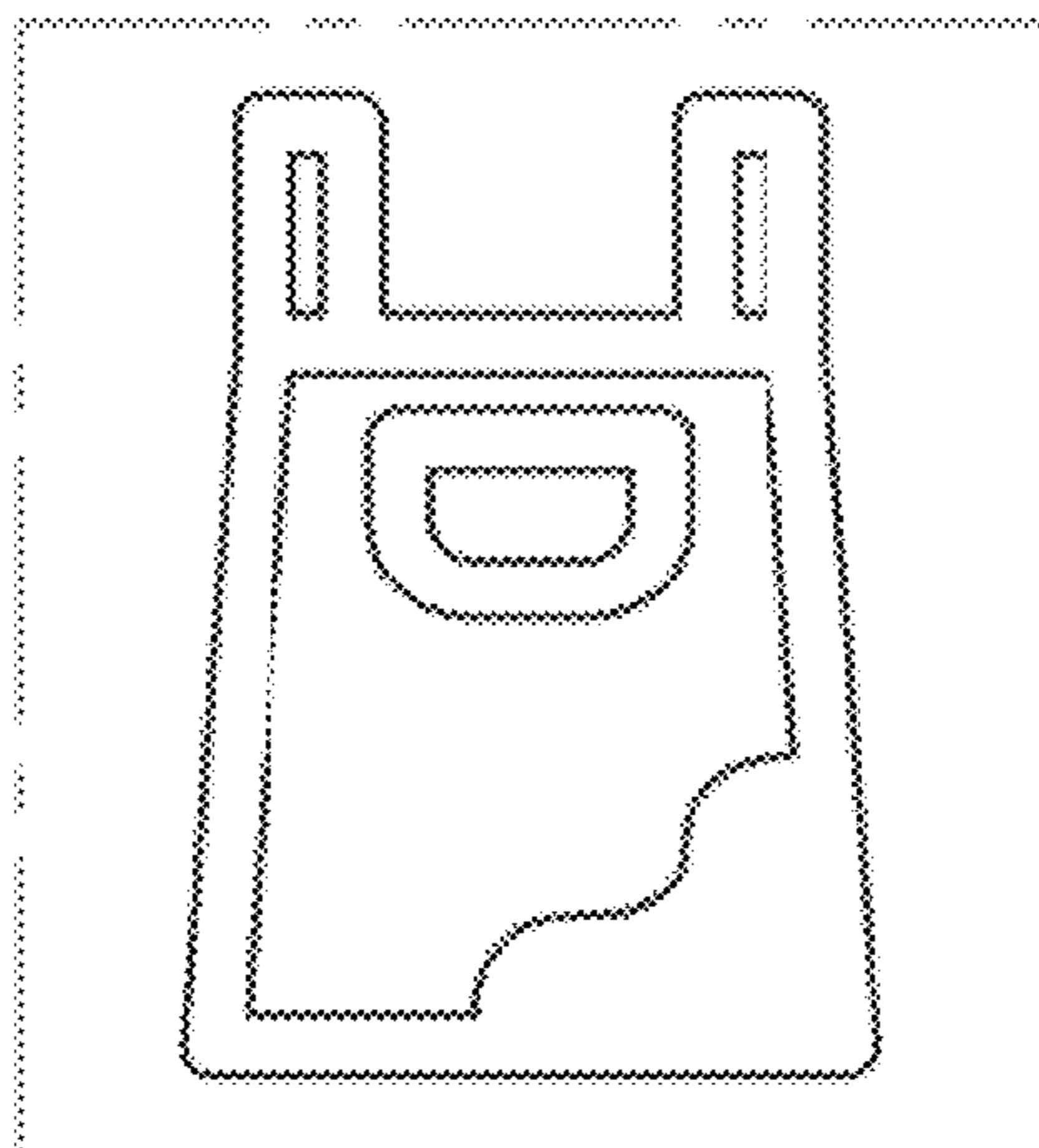


Fig. 1

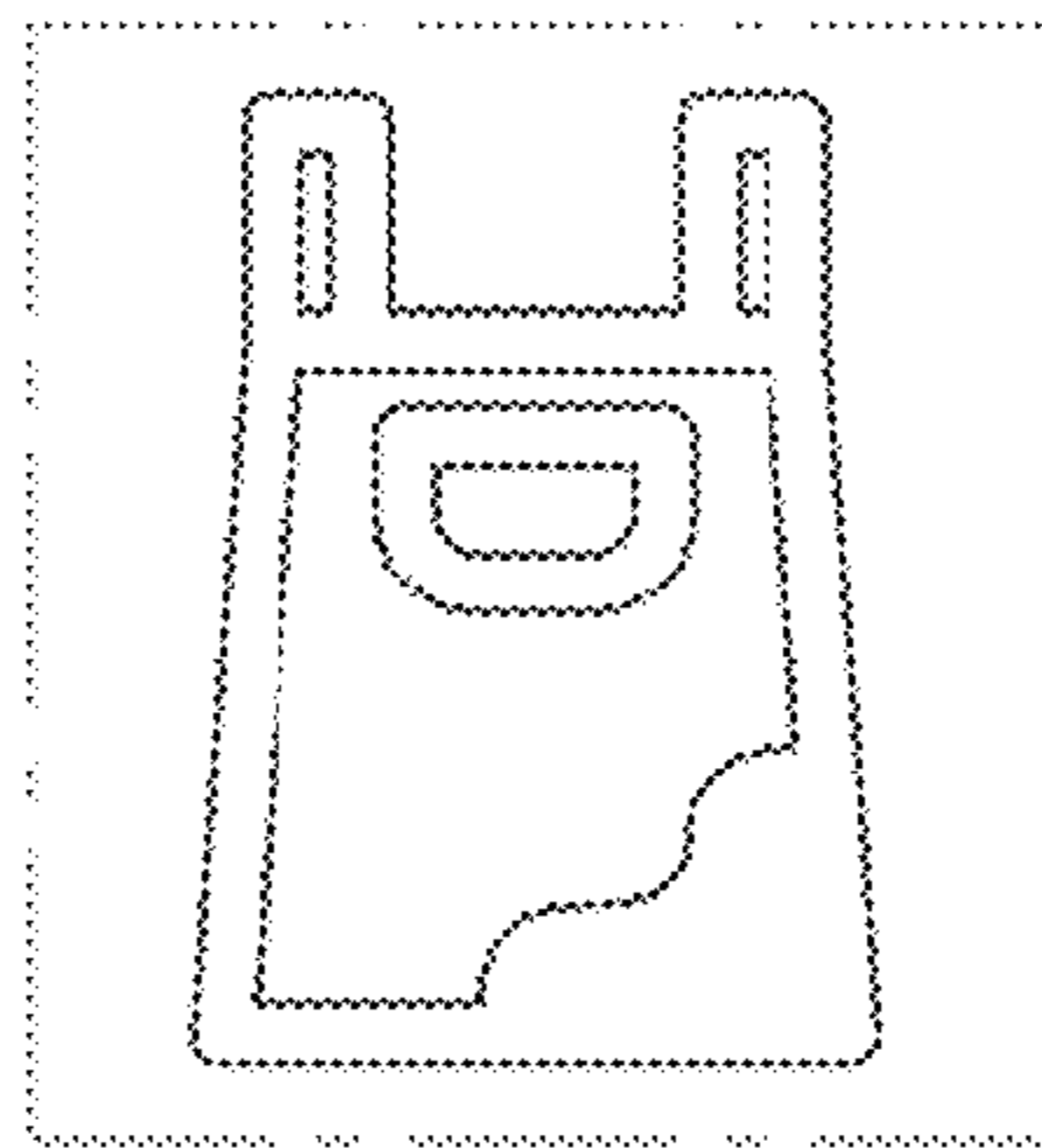


Fig. 2

