



US00D756406S

(12) **United States Design Patent**
Chen et al.

(10) **Patent No.:** **US D756,406 S**
(45) **Date of Patent:** **** May 17, 2016**

(54) **DISPLAY SCREEN WITH TRANSITIONAL
ICON**

(71) Applicant: **Acer Incorporated**, New Taipei (TW)

(72) Inventors: **Yen-Hao Chen**, New Taipei (TW);
Ching-Chih Chang, New Taipei (TW);
Zheng-Yan Lee, New Taipei (TW);
Shu-Han Wang, New Taipei (TW);
Pin-Hsun Huang, New Taipei (TW)

(73) Assignee: **Acer Incorporated**, New Taipei (TW)

(**) Term: **14 Years**

(21) Appl. No.: **29/495,864**

(22) Filed: **Jul. 7, 2014**

(30) **Foreign Application Priority Data**

Apr. 23, 2014 (TW) 103302379

(51) **LOC (10) Cl.** **14-04**

(52) **U.S. Cl.**
USPC **D14/489**

(58) **Field of Classification Search**
USPC D14/485-495
CPC G06T 13/80; G06T 15/02; H04N 1/00424;
H04N 1/00408; H04N 1/00437; G06F
3/04817; G06F 3/0481; G06F 3/04847;
G06F 1/1692; A63F 2300/308; A63F 13/53
See application file for complete search history.

(56) **References Cited**

U.S. PATENT DOCUMENTS

D579,948 S * 11/2008 Marmier D14/488
D593,571 S * 6/2009 Ball D14/485
D597,101 S * 7/2009 Chaudhri D14/488
D651,614 S * 1/2012 Anzures D14/492
D688,676 S * 8/2013 Okumura D14/486
D688,694 S * 8/2013 Simmons D14/489

D688,699 S * 8/2013 Gleasman D14/489
D708,194 S * 7/2014 Kavett D14/486
8,782,775 B2 * 7/2014 Fadell G06F 21/316
726/16
D711,895 S * 8/2014 Inose D14/485
D714,323 S * 9/2014 Pereira D14/485
D715,323 S * 10/2014 Umezawa D14/492
D716,344 S * 10/2014 Anzures D14/489
D718,775 S * 12/2014 Kim D14/485

(Continued)

OTHER PUBLICATIONS

Guide Icon, announced Jan. 23, 2013 [online], [site visited Jan. 20, 2016]. Available from Internet, URL: <<https://dribbble.com/shots/908365%ADGuide%ADicon?list=popular&offset=12>>.*

(Continued)

Primary Examiner — Barbara Fox

Assistant Examiner — Dana K Weiland

(74) *Attorney, Agent, or Firm* — Jianq Chyun IP Office

(57) **CLAIM**

The ornamental design for a display screen with transitional icon, as shown and described.

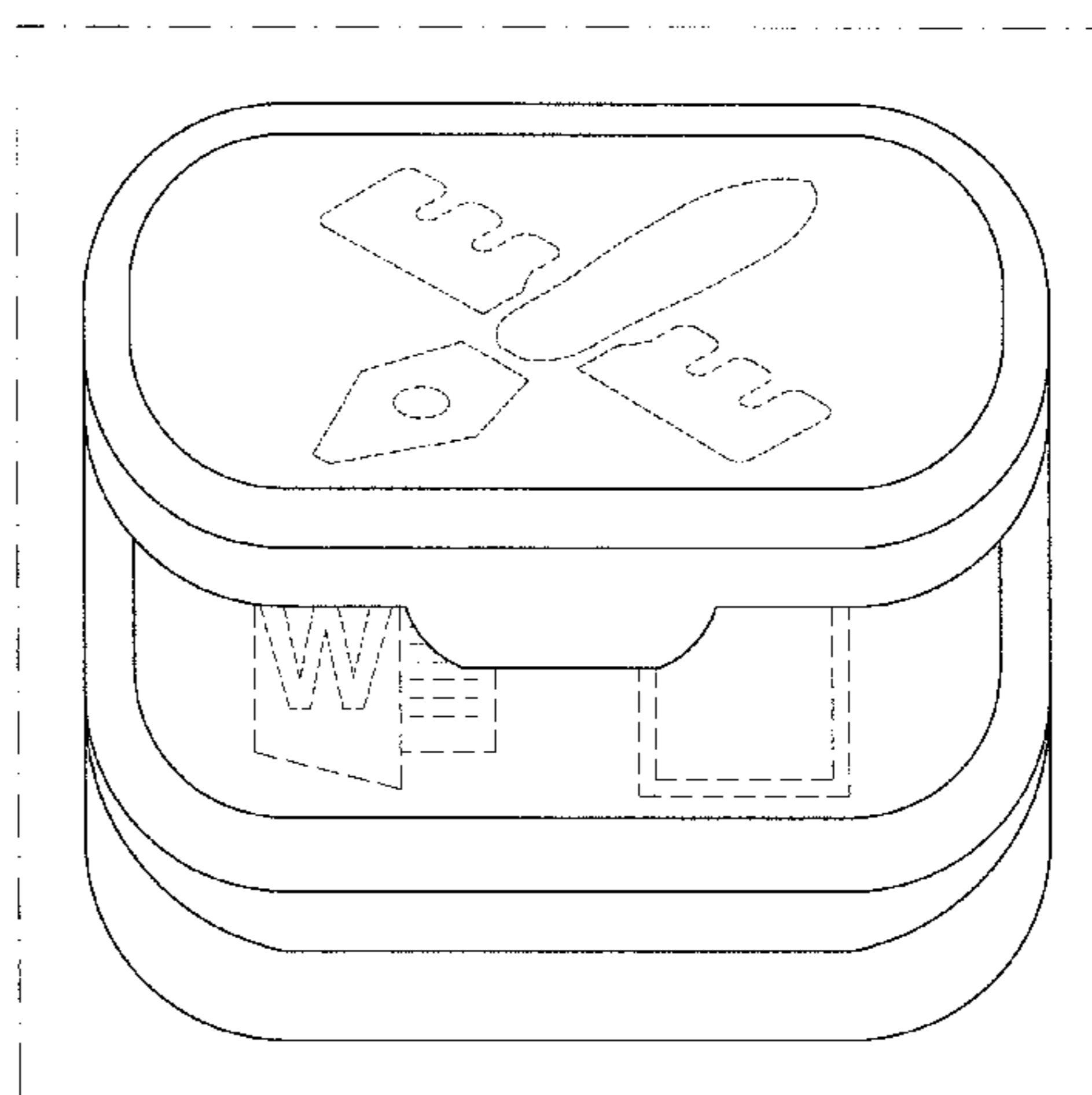
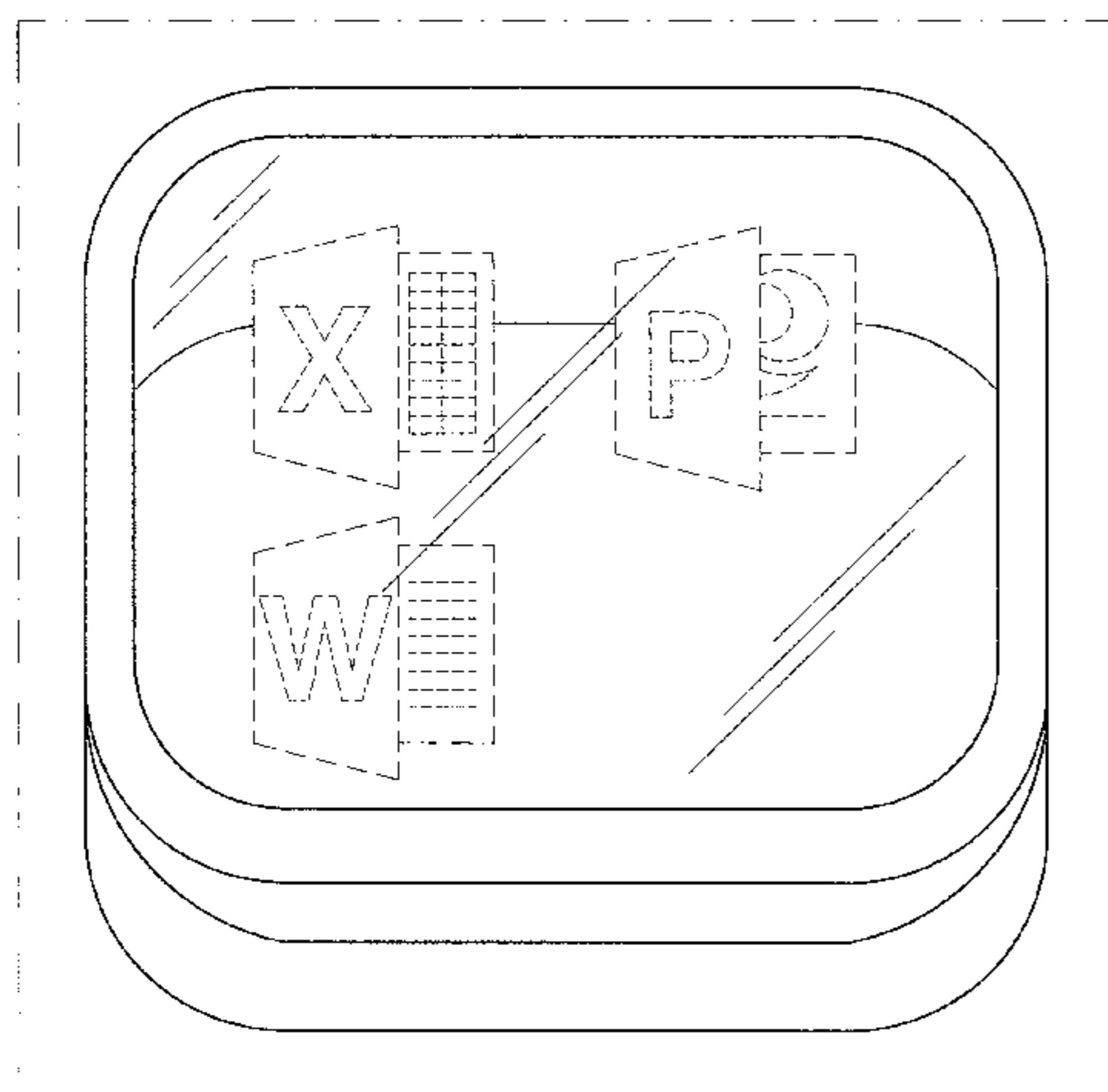
DESCRIPTION

FIG. 1 is a front view of a first image in the sequence for a display screen with transitional icon showing our new design; FIG. 2 is a front view of a second image thereof; and, FIG. 3 is a front view of a third image thereof.

The broken lines showing of the display screen is for environmental purposes only and forms no part of the claimed design. The broken lines within the FIGS. 1-3 show portions of the transitional icon which form no part of the claimed design.

The dot-dash broken lines shown in the drawings represent the display screen and form no part of the claimed design. The dash-dash broken lines represent portions of the transitional icon and form no part of the claimed design.

1 Claim, 3 Drawing Sheets



(56)

References Cited

U.S. PATENT DOCUMENTS

D722,325 S * 2/2015 Williams D14/489
D724,620 S * 3/2015 Hansen D14/489
D727,357 S * 4/2015 Dellinger D14/493
D727,967 S * 4/2015 Kim D14/492
D729,842 S * 5/2015 Oh D14/493
D730,939 S * 6/2015 Lee D14/491
D731,546 S * 6/2015 Zhou D14/491
D732,059 S * 6/2015 Andersen D14/487
D732,073 S * 6/2015 Adams D14/489
D732,074 S * 6/2015 Adams D14/489
D736,830 S * 8/2015 Lyman D14/494
D738,910 S * 9/2015 Drozd D14/488

D745,019 S * 12/2015 Kim D14/485
D745,563 S * 12/2015 Lee D14/492
D746,332 S * 12/2015 Boot D14/489
2009/0006991 A1* 1/2009 Lindberg G06F 3/04817
715/763

OTHER PUBLICATIONS

Mac icon, announced 2013 [online], [site visited Jan. 20, 2016]. Available from Internet, URL: <<https://www.pinterest.com/ecostory/macicon/>>.*

Battery, announced 2013 [online], [site visited Jan. 20, 2016]. Available from Internet, URL: <<https://www.pinterest.com/pin/292874781987226082/>>.*

* cited by examiner

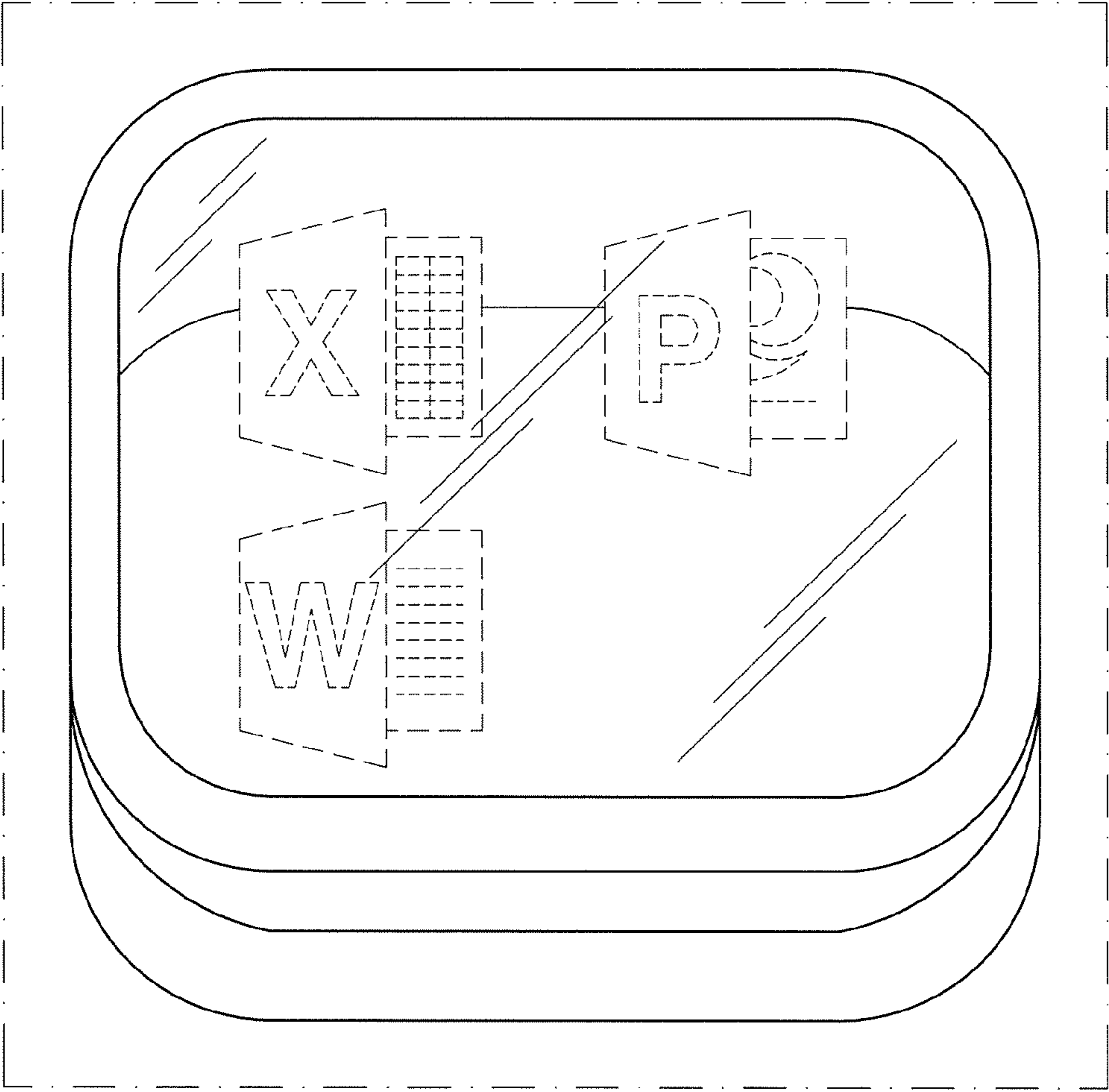


FIG. 1

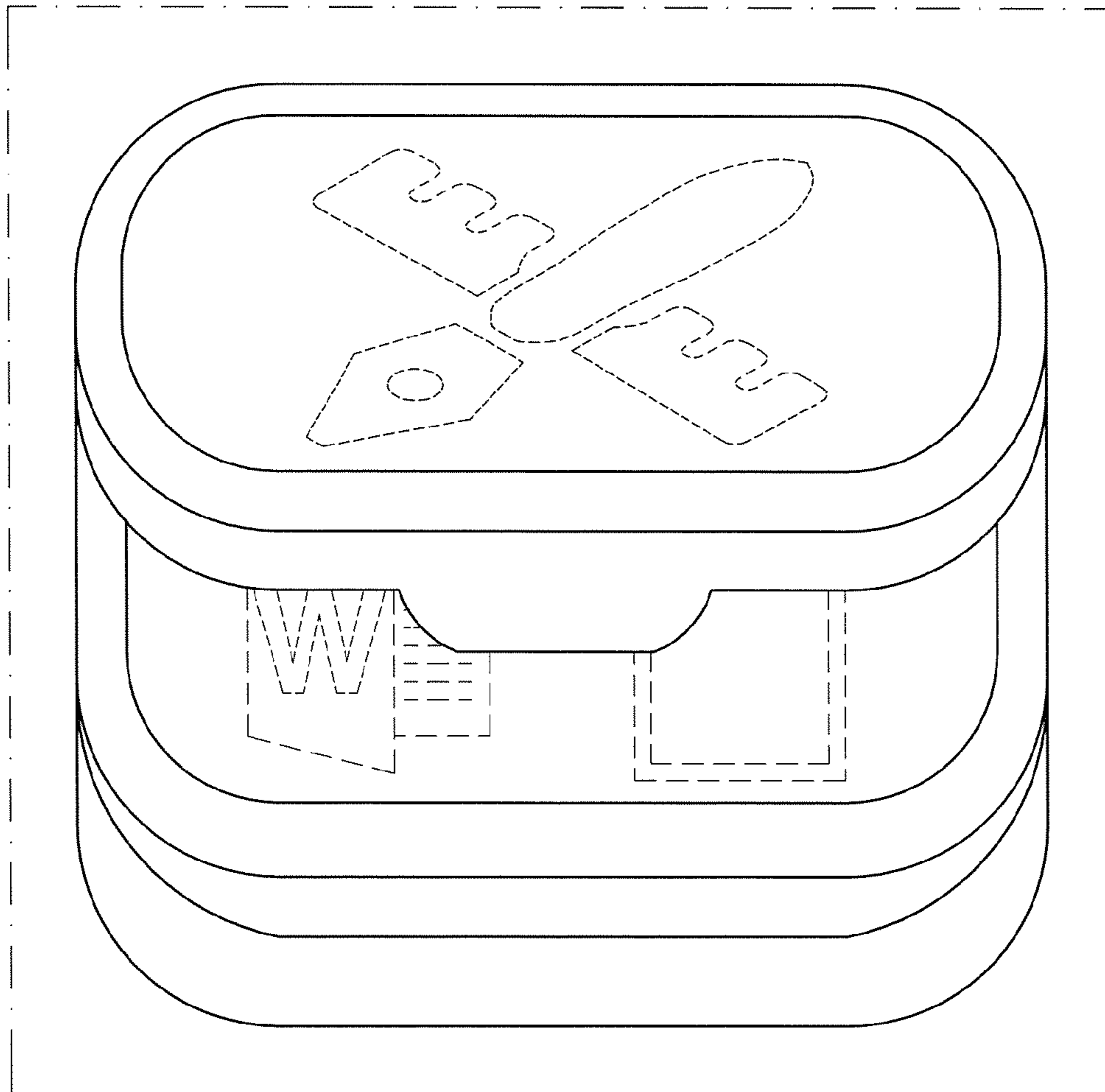


FIG. 2

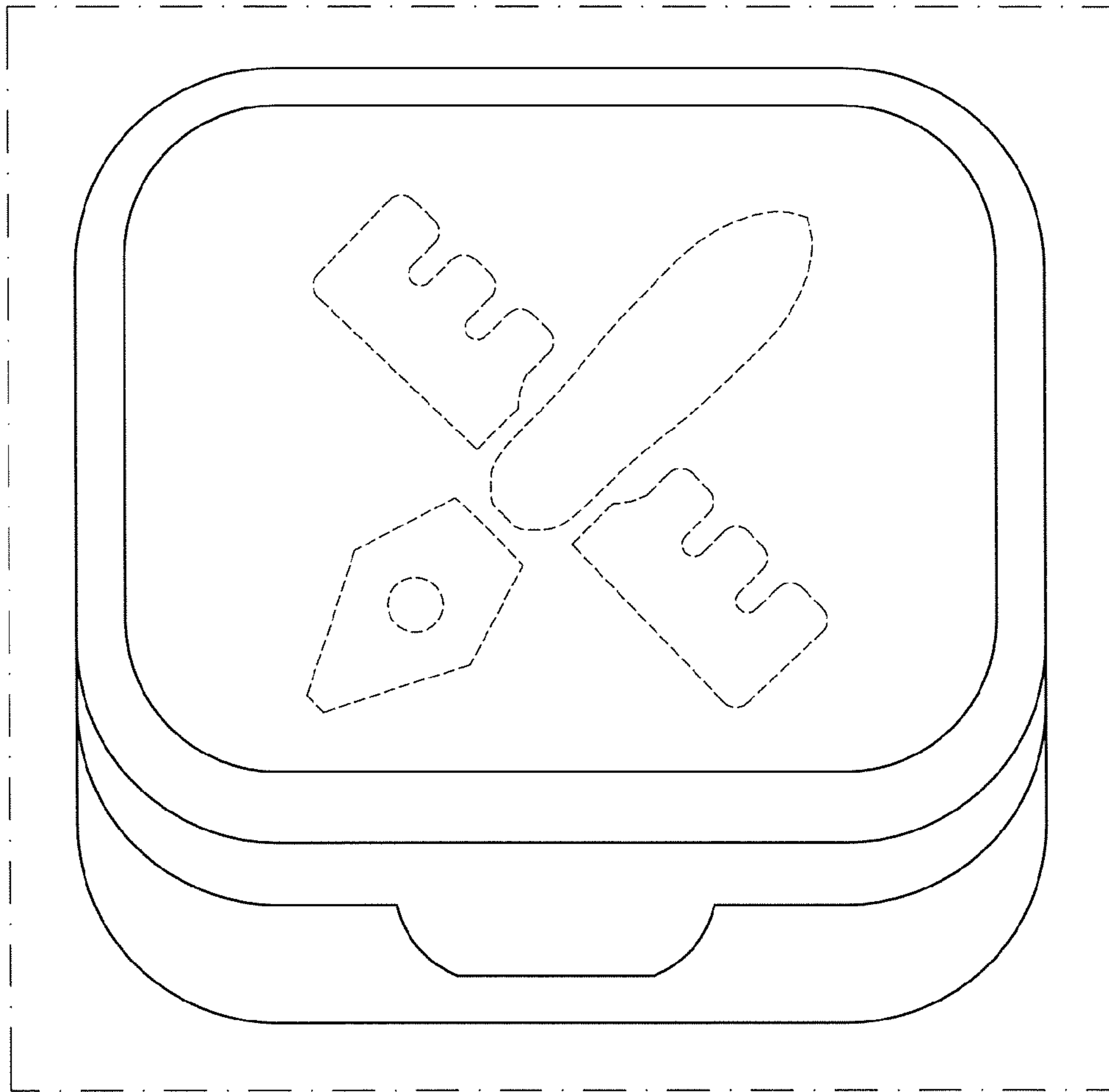


FIG. 3