



US00D756395S

(12) **United States Design Patent**  
**Kim et al.**

(10) **Patent No.:** **US D756,395 S**  
(45) **Date of Patent:** **\*\* May 17, 2016**

(54) **DISPLAY SCREEN OR PORTION THEREOF WITH GRAPHICAL USER INTERFACE**

(71) Applicant: **Samsung Electronics Co., Ltd.**, Suwon-si (KR)

(72) Inventors: **Yu-sic Kim**, Suwon-si (KR); **Jung-ah Seung**, Guri-Si (KR); **Dong-Hoon Sohn**, Seoul (KR)

(73) Assignee: **SAMSUNG ELECTRONICS CO., LTD.**, Suwon-Si (KR)

(\*\*) Term: **14 Years**

(21) Appl. No.: **29/509,045**

(22) Filed: **Nov. 13, 2014**

(30) **Foreign Application Priority Data**

Aug. 25, 2014 (KR) ..... 30-2014-0041394

(51) **LOC (10) Cl.** ..... **14-04**

(52) **U.S. Cl.**  
USPC ..... **D14/486**; D14/492

(58) **Field of Classification Search**  
USPC ..... D14/485-495; D10/122, 123, 124, 125, D10/126, 128, 6, 1; 700/16  
CPC ..... G06F 3/048; G06F 9/4825; G05B 2219/25039; G05B 2219/25126; G05B 2219/25251; G05B 2219/15049; G05B 2219/15034; G05B 2219/15063; G05B 2219/15094; G05B 2219/32128; G05B 2219/35488; G05B 2219/13144; G04C 23/00

See application file for complete search history.

(56) **References Cited**

U.S. PATENT DOCUMENTS

1,641,972 A \* 9/1927 Hobson ..... 200/37 R  
1,863,931 A \* 6/1932 Miller ..... 455/231  
2,079,445 A \* 5/1937 Glass ..... 334/19  
2,097,901 A \* 11/1937 Thomas ..... 455/172.1

2,190,832 A \* 2/1940 Elliott ..... 192/142 A  
D131,628 S \* 3/1942 Heinmuller ..... D10/124  
2,300,950 A \* 11/1942 Lux ..... 368/76  
2,301,942 A \* 11/1942 Gallagher ..... 200/39 A  
2,306,532 A \* 12/1942 Fisher ..... 200/37 R  
2,311,649 A \* 2/1943 Elliott ..... 200/37 R  
5,689,669 A \* 11/1997 Lynch et al. .... 715/848  
5,757,371 A \* 5/1998 Oran et al. .... 715/779  
D489,272 S 5/2004 Messmer  
D560,225 S \* 1/2008 Park et al. .... D14/485  
7,411,510 B1 \* 8/2008 Nixon ..... 340/573.1  
D587,277 S \* 2/2009 Park et al. .... D14/485  
D701,220 S \* 3/2014 Kim et al. .... D14/485  
D703,221 S \* 4/2014 Park et al. .... D14/486  
D703,228 S \* 4/2014 Abratowski et al. .... D14/489  
8,873,342 B1 \* 10/2014 Boudreaux et al. .... 368/47  
2004/0027396 A1 \* 2/2004 Lection ..... 345/863  
2005/0197719 A1 \* 9/2005 Renner ..... 700/1  
2005/0235223 A1 \* 10/2005 Arend et al. .... 715/792  
2008/0195961 A1 \* 8/2008 Bae et al. .... 715/769

(Continued)

FOREIGN PATENT DOCUMENTS

DE 40404771.8 11/2004  
DM 077698 3/2013

*Primary Examiner* — Ian Simmons

*Assistant Examiner* — Shannon Morgan

(74) *Attorney, Agent, or Firm* — McAndrews Held & Malloy, Ltd.

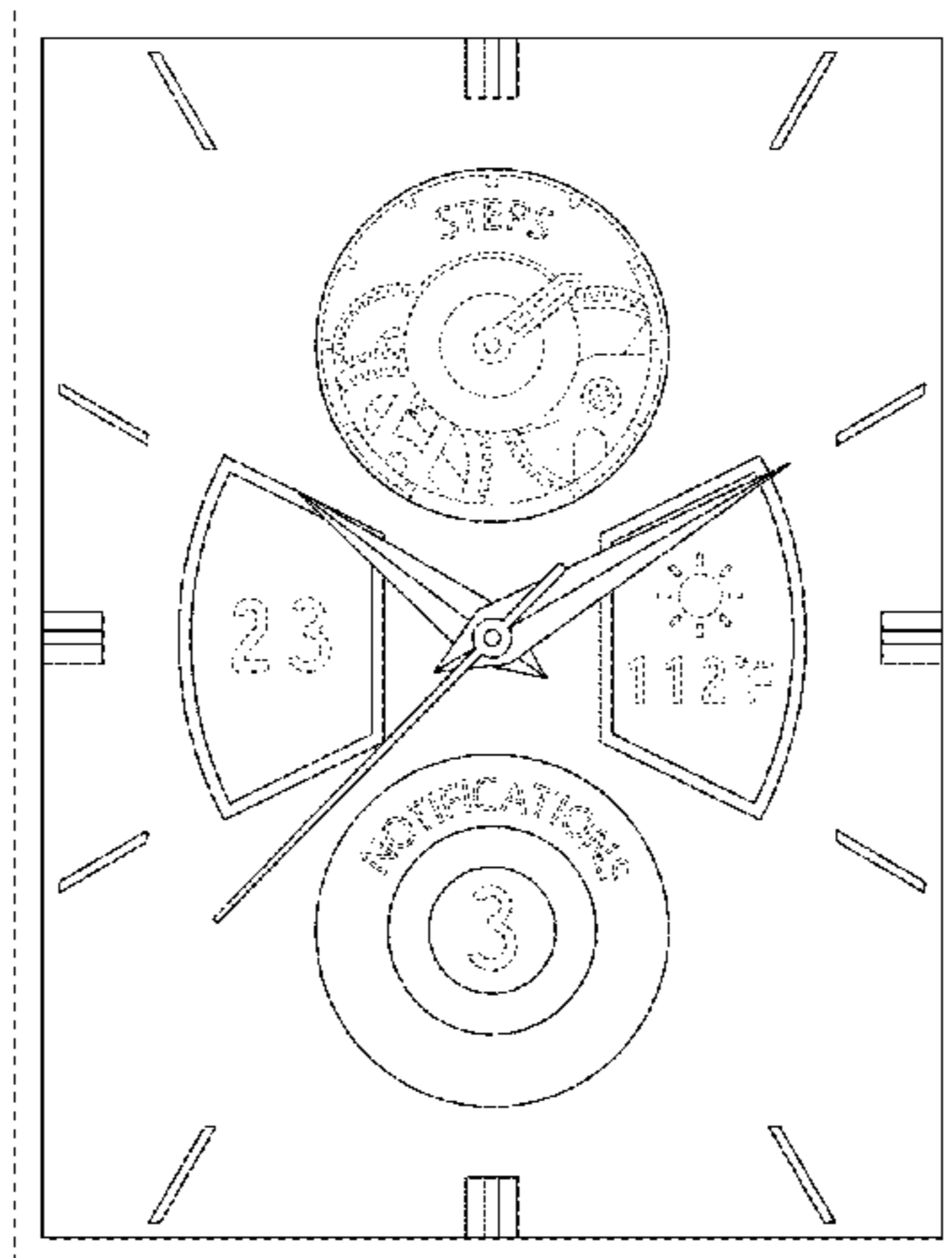
(57) **CLAIM**

The ornamental design for a display screen or portion thereof with graphical user interface, as shown and described.

**DESCRIPTION**

The FIGURE is a front view of a display screen or portion thereof with graphical user interface showing our new design. The broken lines around the FIGURE show a display screen or portion thereof and form no part of the claimed design. The broken lines within the FIGURE show portions of the graphical user interface that form no part of the claimed design.

**1 Claim, 1 Drawing Sheet**



(56)

**References Cited**

U.S. PATENT DOCUMENTS

2008/0243033	A1 *	10/2008	Davis et al. ....	600/595	2013/0027412	A1 *	1/2013	Roddy .....	345/501
2010/0157742	A1 *	6/2010	Relyea et al. ....	368/28	2013/0271482	A1 *	10/2013	Fendley .....	345/589
2011/0191675	A1 *	8/2011	Kauranen .....	715/702	2014/0031724	A1 *	1/2014	Davis et al. ....	600/595
2012/0068854	A1 *	3/2012	Shiflet et al. ....	340/870.02	2014/0040748	A1 *	2/2014	Lemay et al. ....	715/728
2012/0165075	A1 *	6/2012	Kim et al. ....	455/566	2014/0219066	A1 *	8/2014	Sadilek .....	368/82
					2014/0245177	A1 *	8/2014	Maklouf .....	715/752
					2015/0156150	A1 *	6/2015	Bartkiewicz et al. ....	715/752
					2015/0205509	A1 *	7/2015	Scriven et al. ....	715/834

\* cited by examiner

