



US00D756366S

(12) **United States Design Patent**
Floersch et al.

(10) **Patent No.:** **US D756,366 S**
(45) **Date of Patent:** **** May 17, 2016**

(54) **TABLET COMPUTER HOLDER AND STAND**

Primary Examiner — Angela J Lee

(71) Applicant: **Engineered Network Systems, Inc.**,
Burnsville, MN (US)

(74) *Attorney, Agent, or Firm* — Haugen Law Firm PLLP

(72) Inventors: **Peter Floersch**, Lakeville, MN (US);
Greg Miler, Lakeville, MN (US); **Jon Christopherson**, Belle Plain, MN (US)

(57) **CLAIM**

The ornamental design for a tablet computer holder and stand, as shown and described.

(73) Assignee: **Engineered Network Systems, LLC**,
Burnsville, MN (US)

DESCRIPTION

(**) Term: **14 Years**

(21) Appl. No.: **29/514,272**

(22) Filed: **Jan. 9, 2015**

(51) **LOC (10) Cl.** **08-07**

(52) **U.S. Cl.**
USPC **D14/447**

(58) **Field of Classification Search**
USPC D3/218; D6/406.3, 406.4, 406.5, 406.6
CPC A45C 2011/003; A45C 2011/002;
A45C 13/002; A47B 2023/049; A47B
2097/005; A47B 2097/006; A47B 21/04;
A47B 23/00; A47B 23/043; A47B 2021/0307;
A47B 2023/005; F16M 2200/00; H04B
1/3888; H04M 1/04; H04M 1/185
See application file for complete search history.

FIG. 1 is a perspective view of the design in a closed condition;
FIG. 2 is a front elevational view of the design in a closed condition;
FIG. 3 is a rear elevational view of the design in a closed condition;
FIG. 4 is a right side elevational view of the design in a closed condition;
FIG. 5 is a left side elevational view of the design in a closed condition;
FIG. 6 is a top plan view of the design in a closed condition;
FIG. 7 is a bottom plan view of the design in a closed condition;
FIG. 8 is a perspective view of the design in an open condition;
FIG. 9 is a front elevational view of the design in an open condition;
FIG. 10 is a rear elevational view of the design in an open condition;
FIG. 11 is a right side elevational view of the design in an open condition;
FIG. 12 is a left side elevational view of the design in an open condition;
FIG. 13 is a top plan view of the design in an open condition;
FIG. 14 is a bottom plan view of the design in an open condition; and,
FIG. 15 is a side elevational view of the design in an open condition illustrating the device in use with a tablet computer. The broken line showing of environmental structure is for illustrative purposes only, and forms no part of the claimed design.

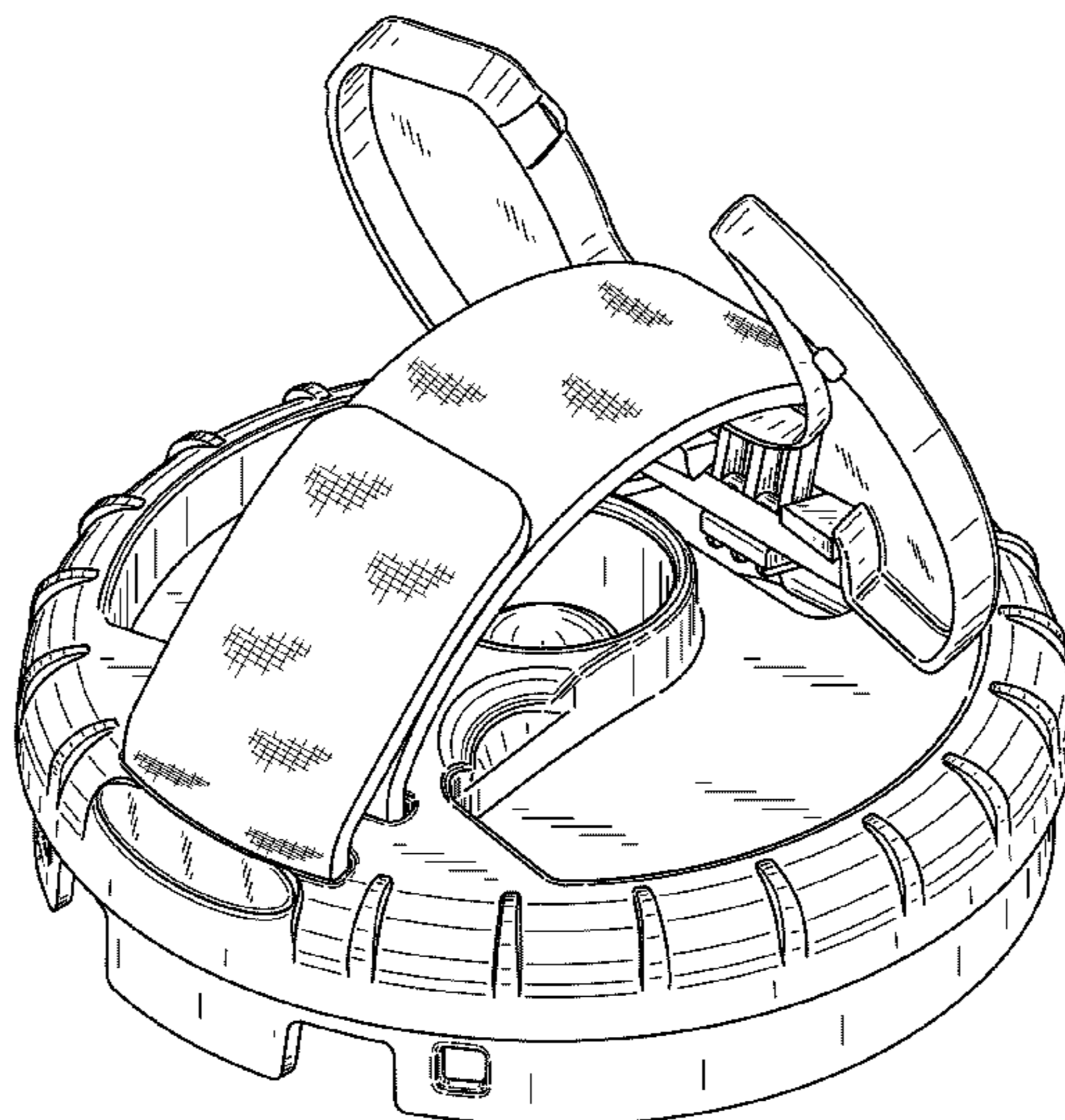
(56) **References Cited**

U.S. PATENT DOCUMENTS

7,434,774	B1	10/2008	Floersch et al.	
D603,840	S *	11/2009	Lee	D14/217
D657,795	S *	4/2012	Smith	D14/447
D666,204	S *	8/2012	Han	D14/447
8,382,059	B2	2/2013	Le Gette et al.	
D682,281	S *	5/2013	Barnard	D14/447
D688,252	S *	8/2013	Paul	D14/205
D693,818	S *	11/2013	Webber	D14/439
D696,259	S *	12/2013	Howarth	D14/447

(Continued)

1 Claim, 11 Drawing Sheets



(56)

References Cited

U.S. PATENT DOCUMENTS

8,611,076 B2 12/2013 Wetzel et al.
8,616,423 B2 12/2013 Wizikowski
8,668,122 B2 3/2014 Case et al.
D709,066 S * 7/2014 Byun D14/253
D709,072 S * 7/2014 Askew-Harris D14/447
D719,961 S * 12/2014 Xiang D14/447
8,915,361 B2 12/2014 Rayner
8,939,482 B2 1/2015 Rasmussen et al.

D725,660 S * 3/2015 Trotsky D14/447
D734,746 S * 7/2015 Vogel D14/253
D737,264 S * 8/2015 Shamsadov D14/251
2011/0299231 A1 12/2011 Gaddis, II et al.
2012/0234055 A1 9/2012 Bland, III et al.
2012/0267402 A1 10/2012 Beatty
2012/0267491 A1 10/2012 Chiu
2013/0092811 A1 4/2013 Funk et al.
2014/0117061 A1 5/2014 Hadi
2014/0249943 A1 9/2014 Hicks et al.
2015/0001122 A1 1/2015 Jarke

* cited by examiner

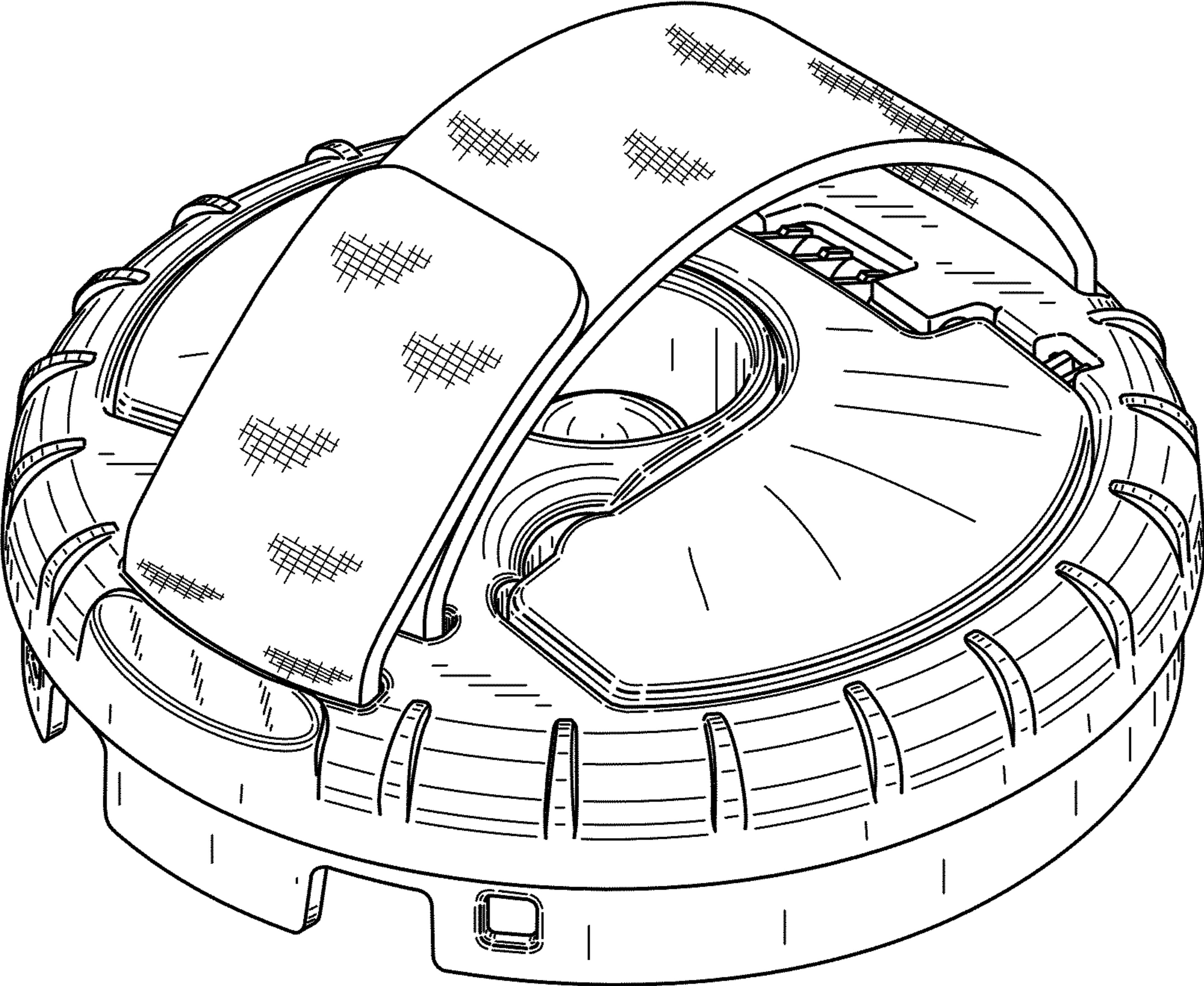


Fig. 1

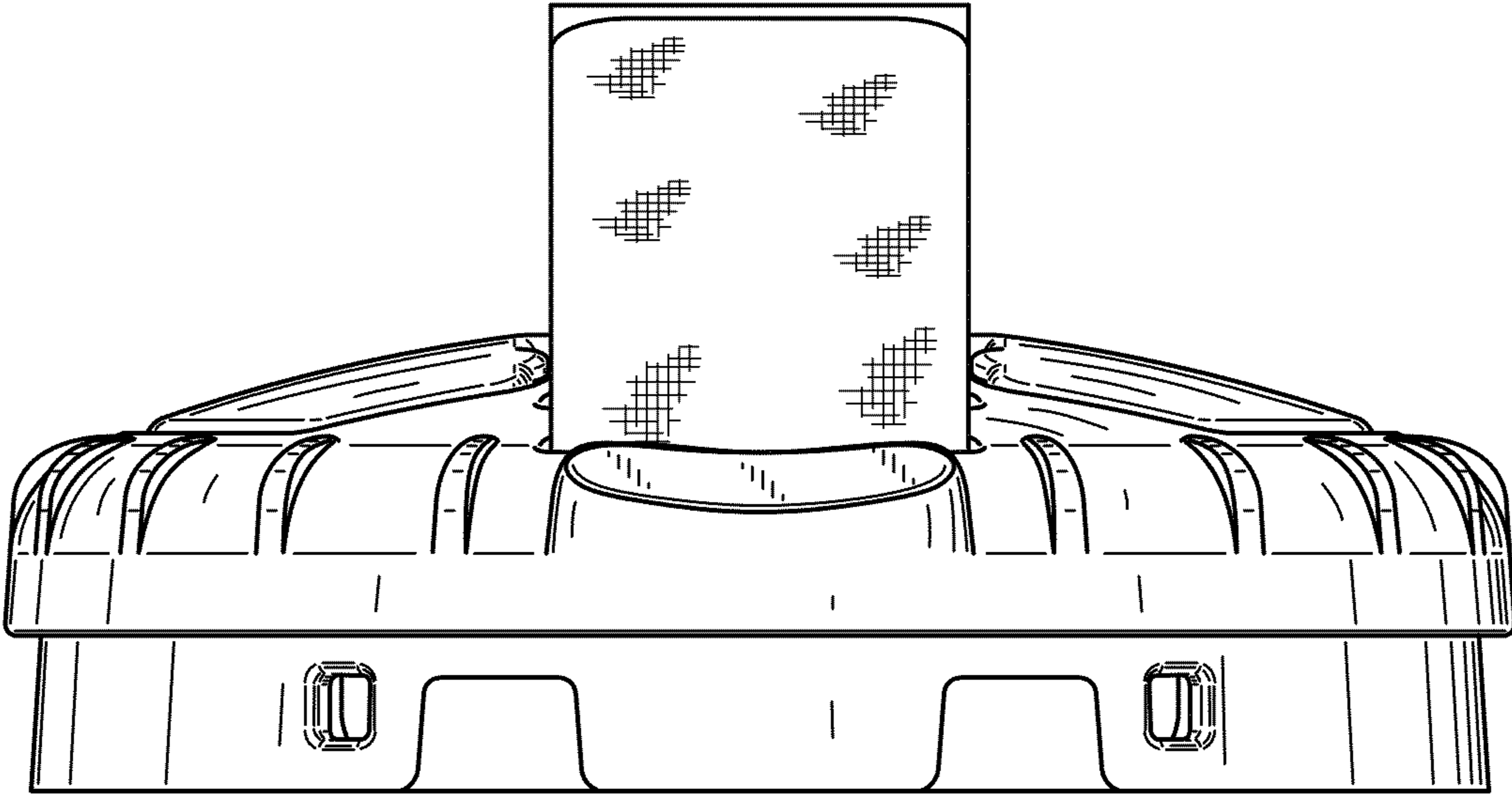


Fig. 2

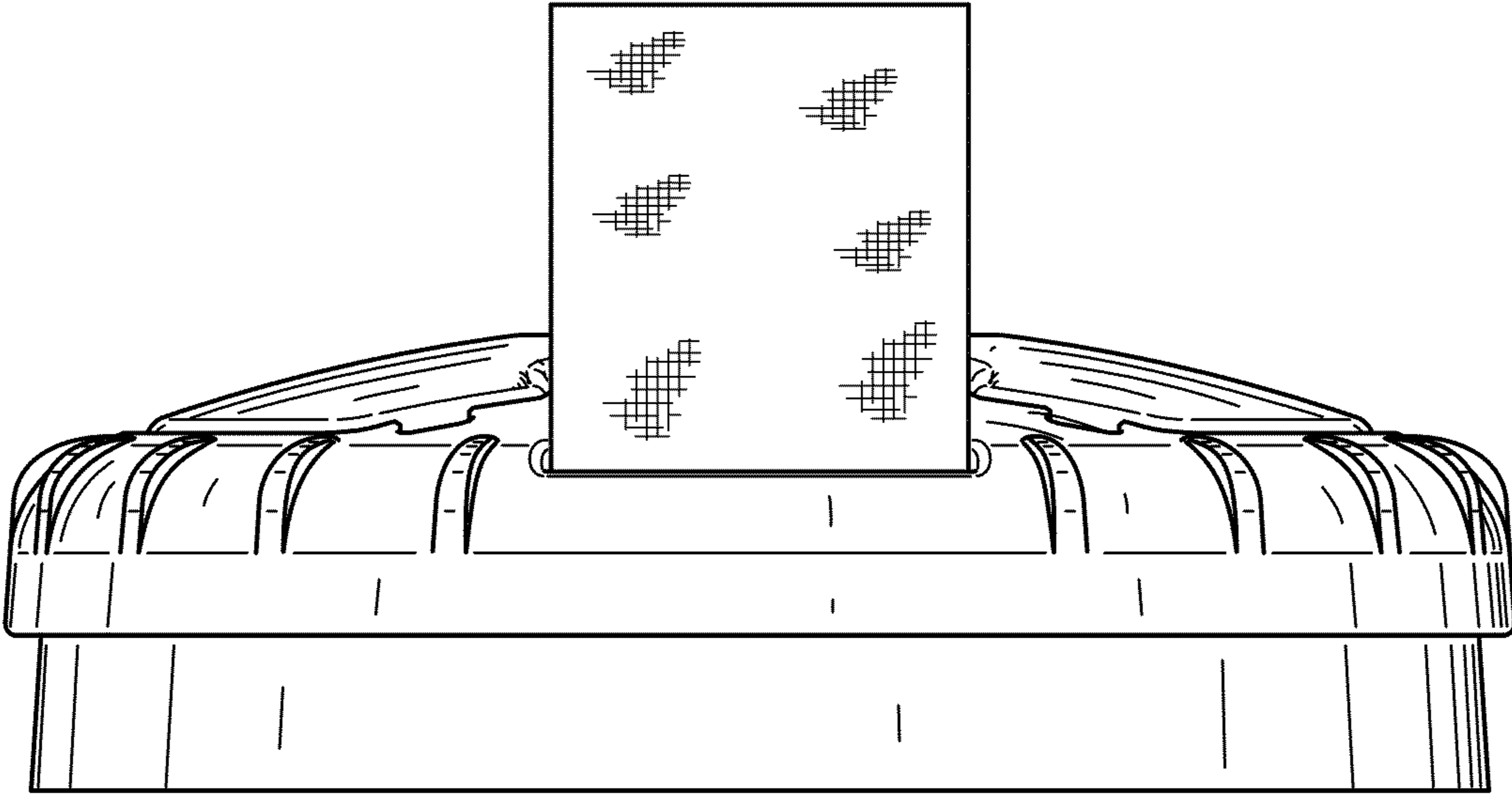


Fig. 3

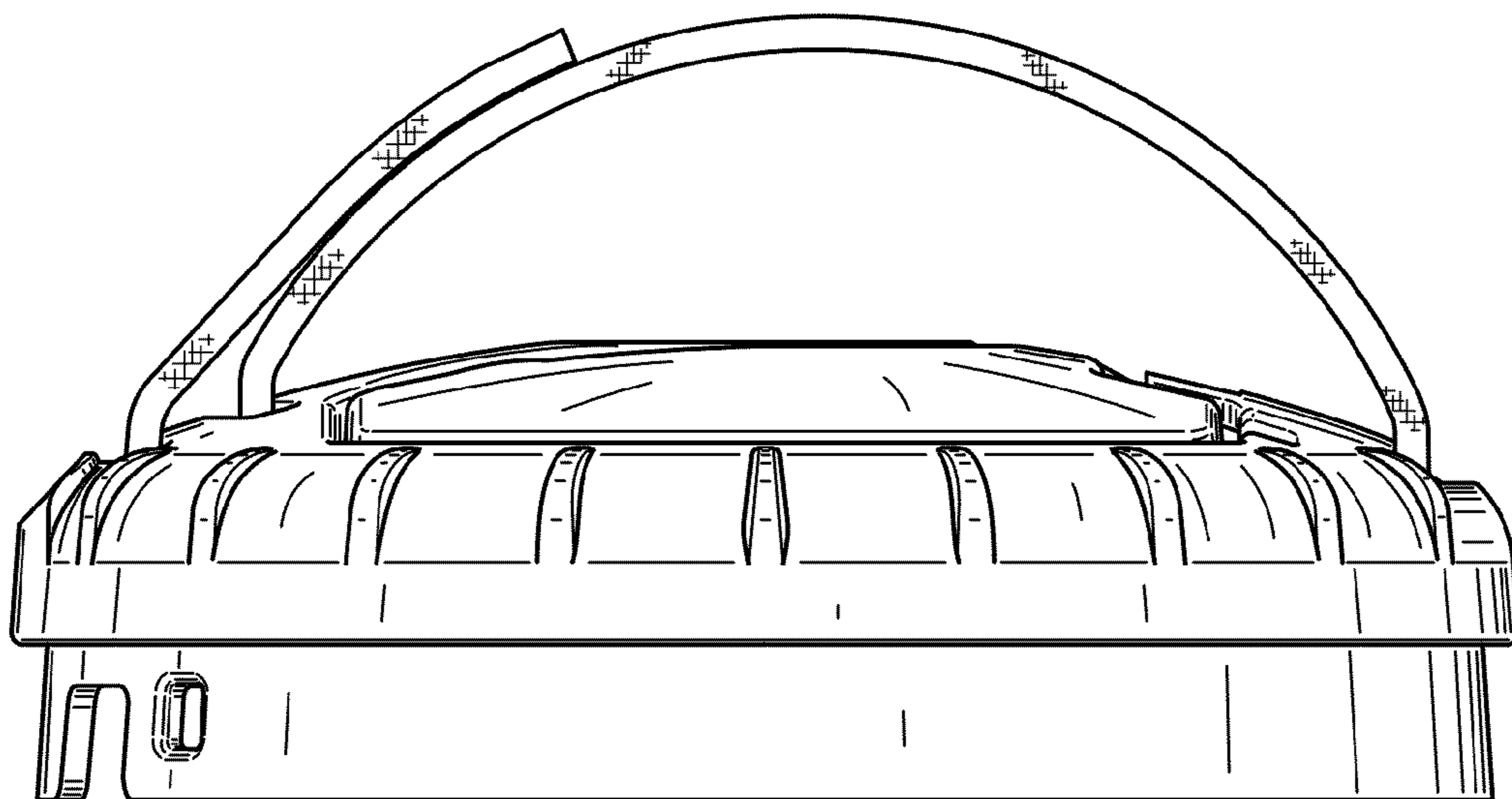


Fig. 4

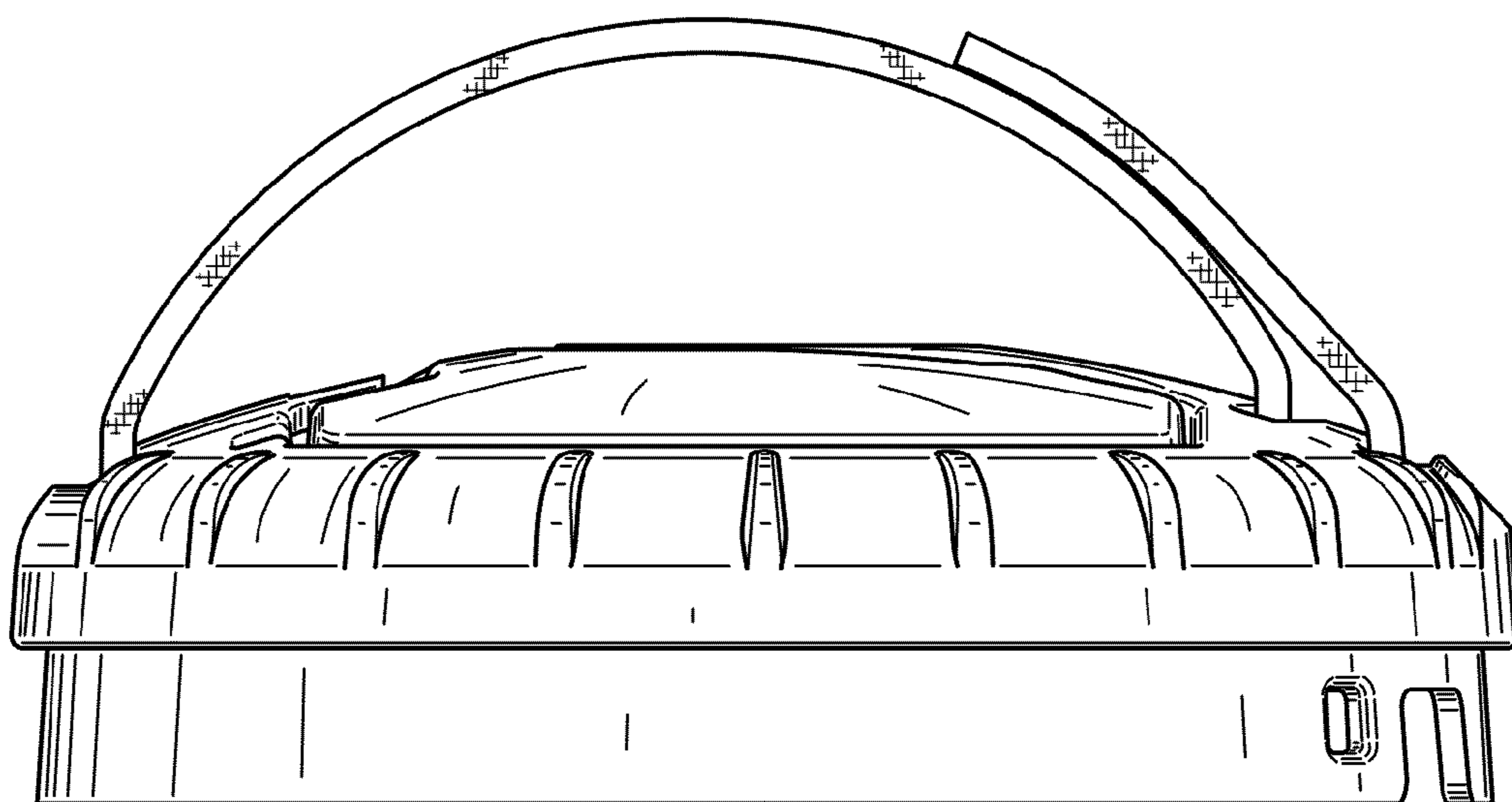


Fig. 5

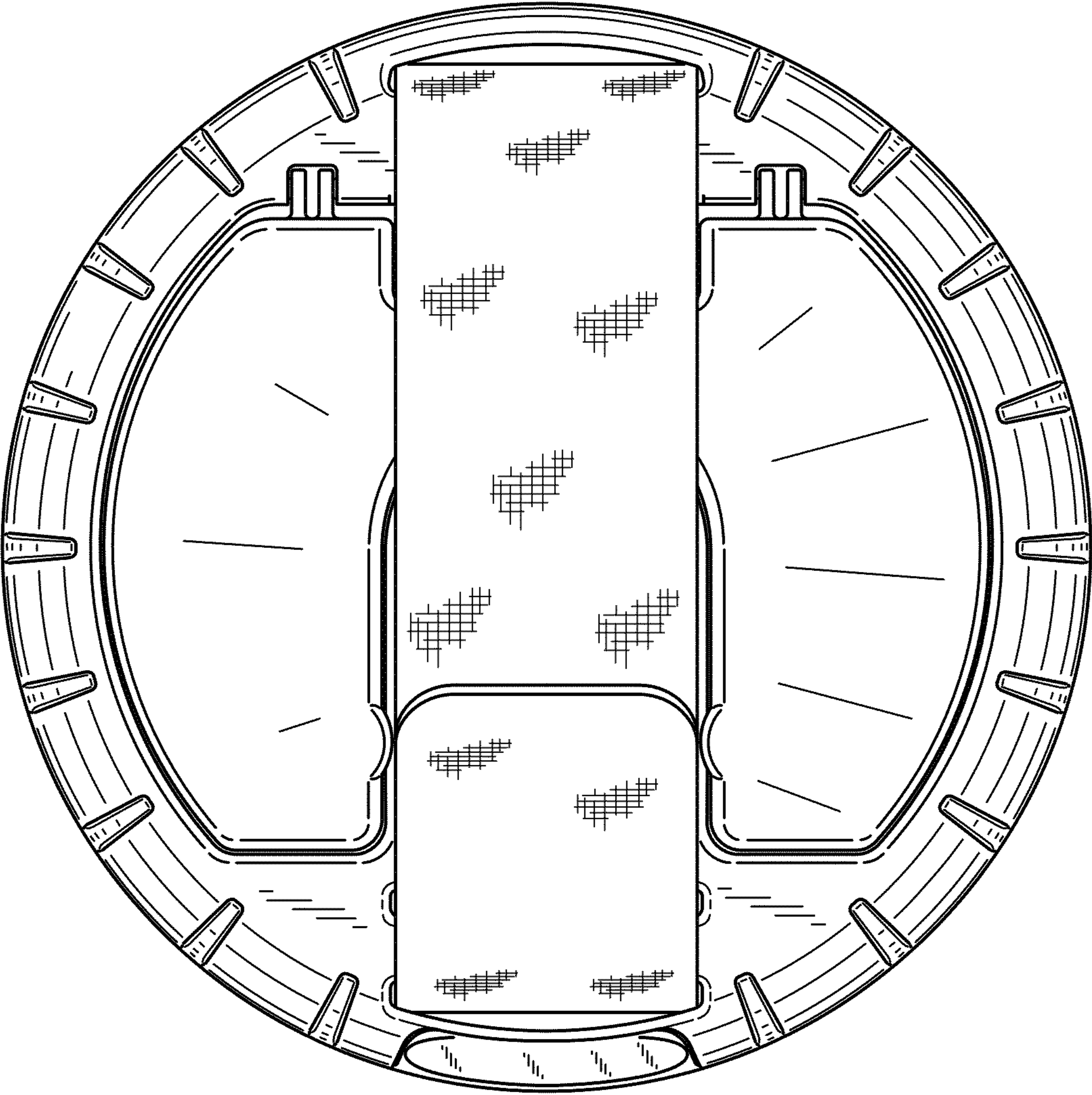


Fig. 6

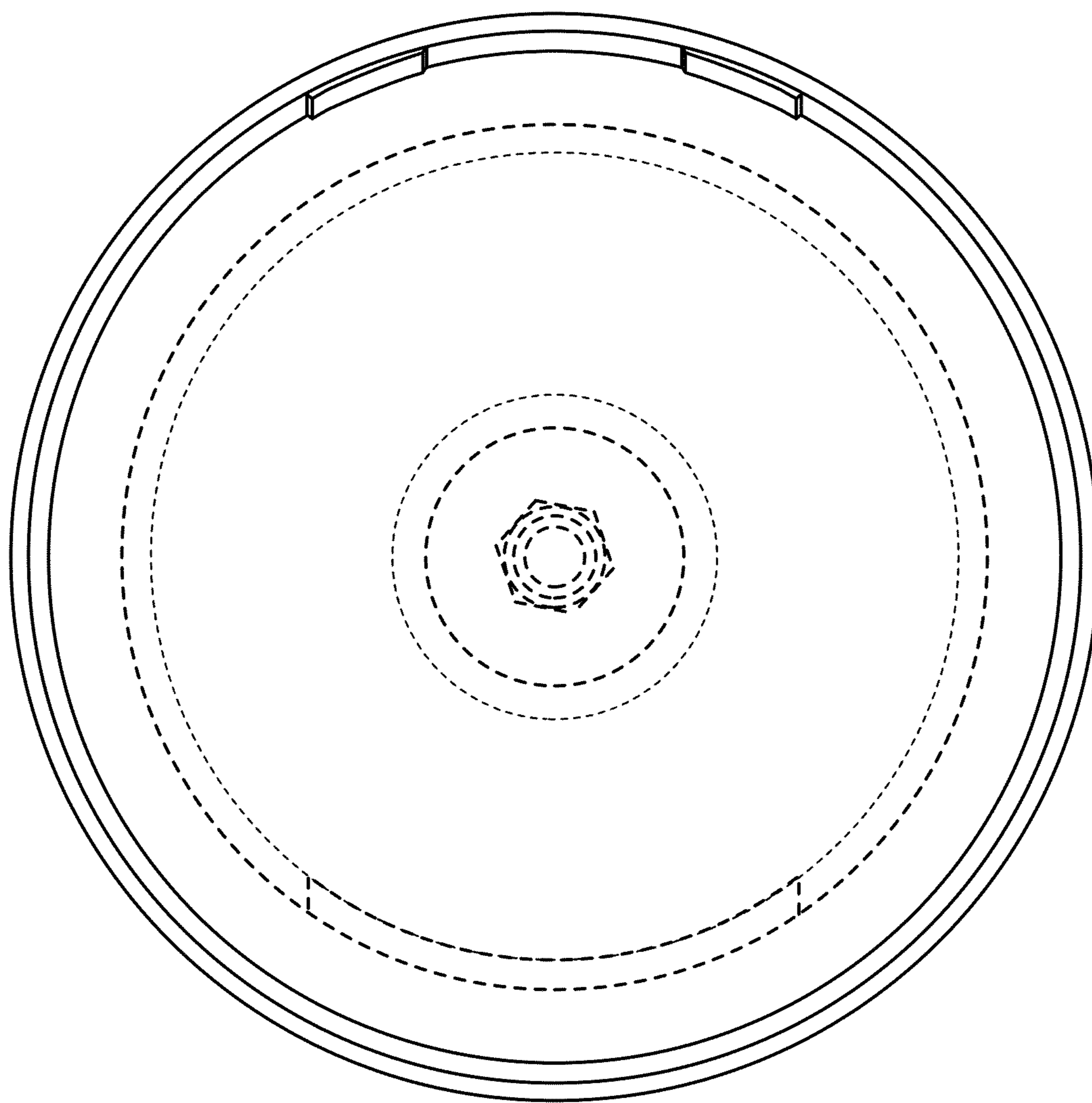


Fig. 7

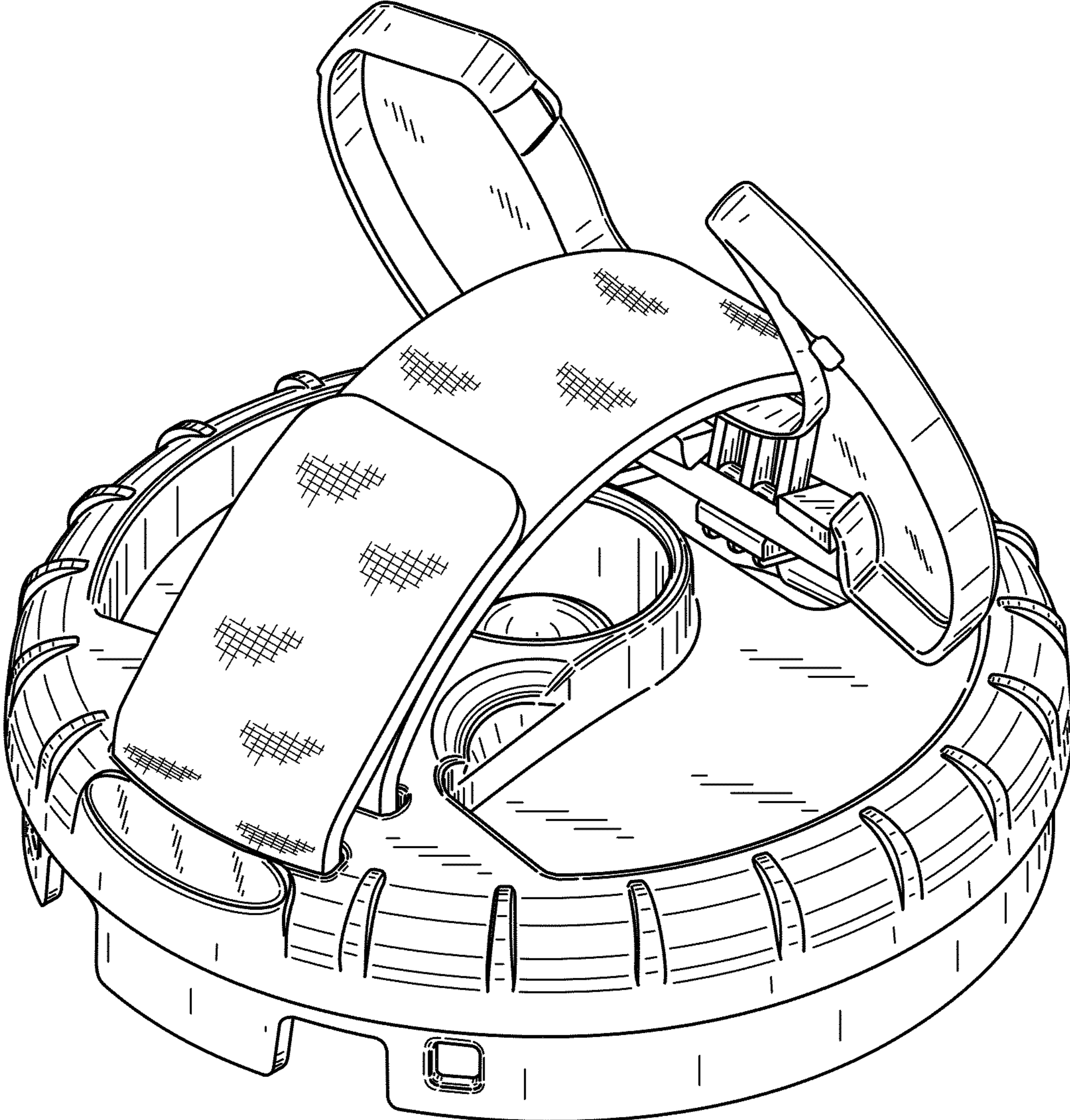


Fig. 8

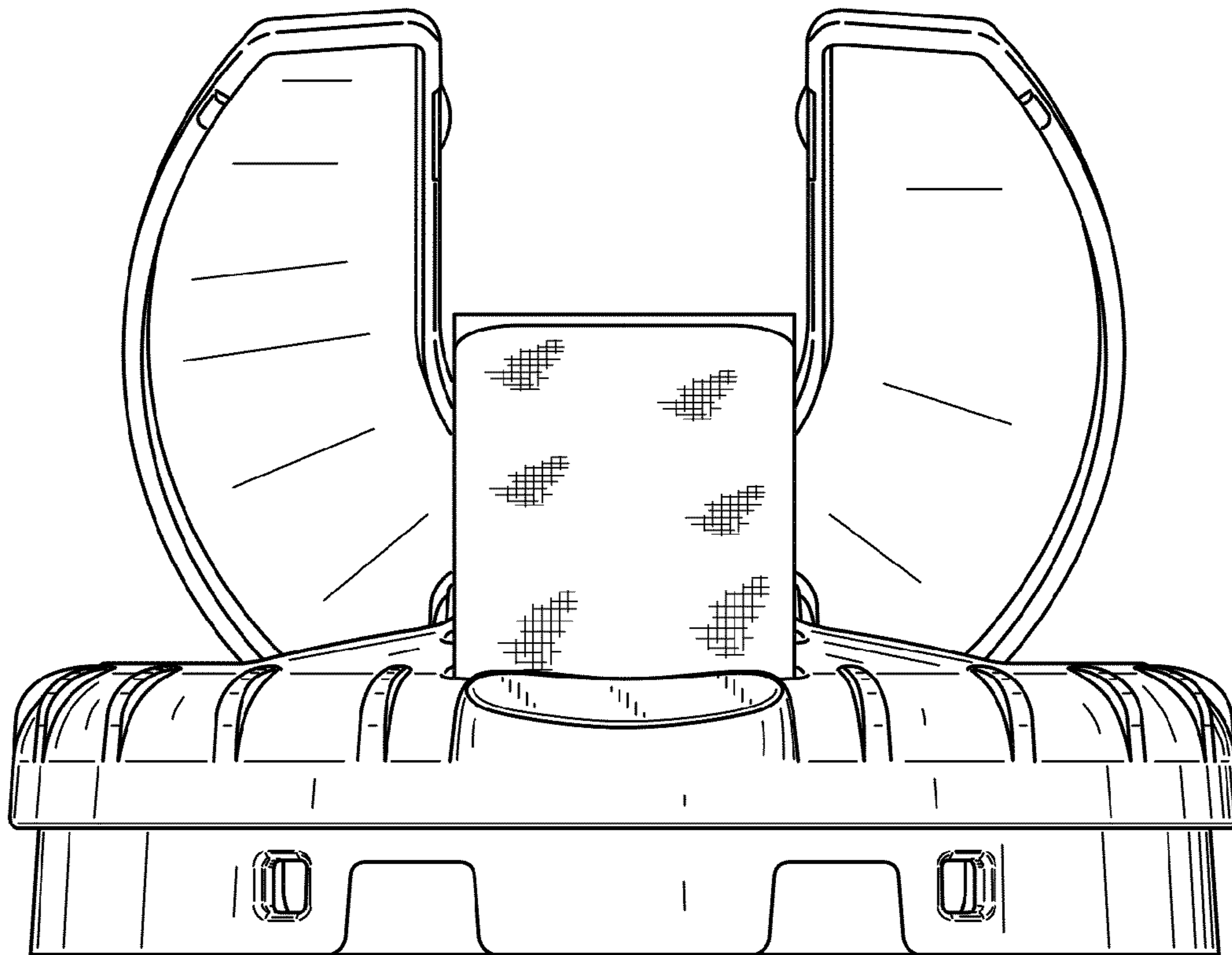


Fig. 9

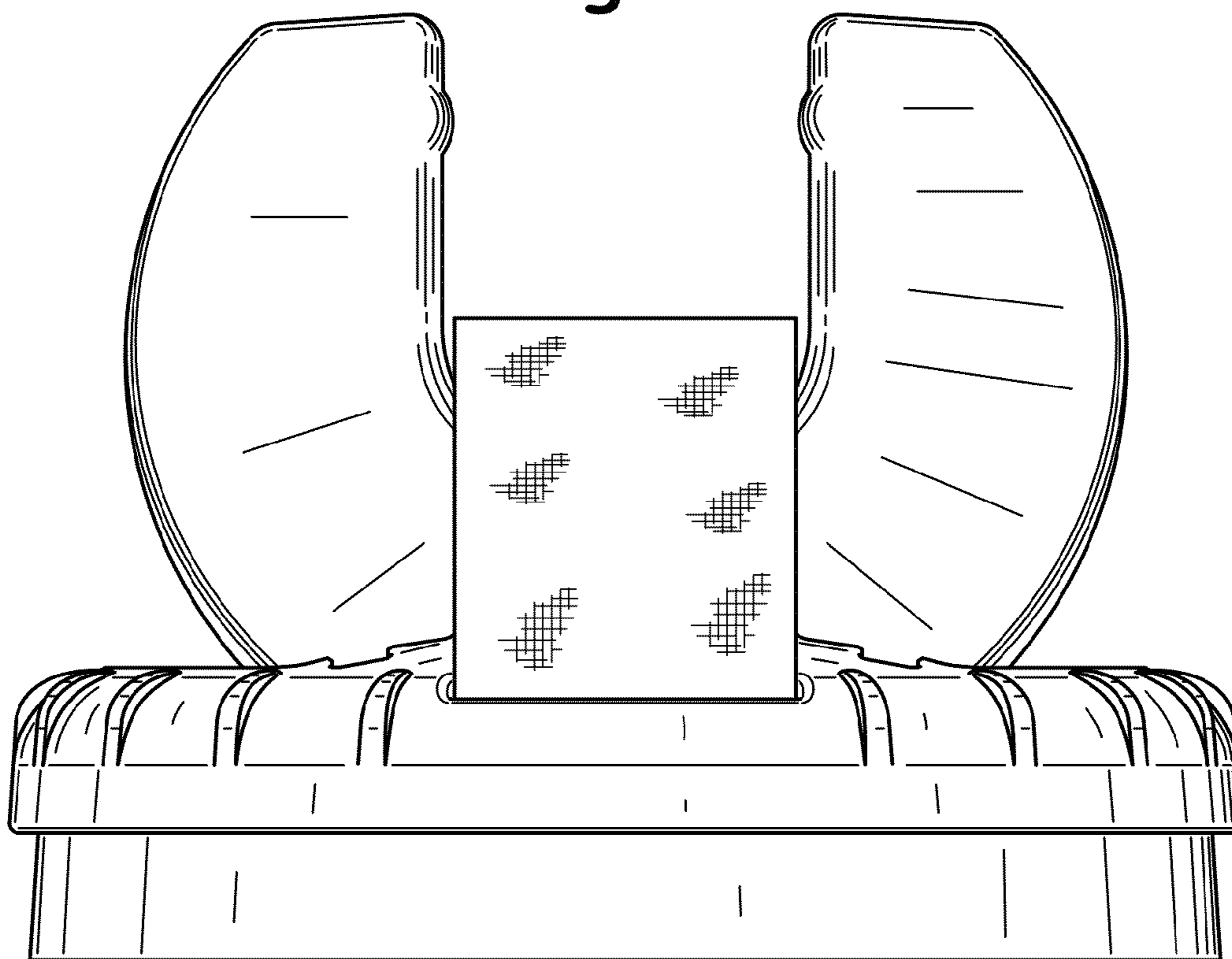


Fig. 10

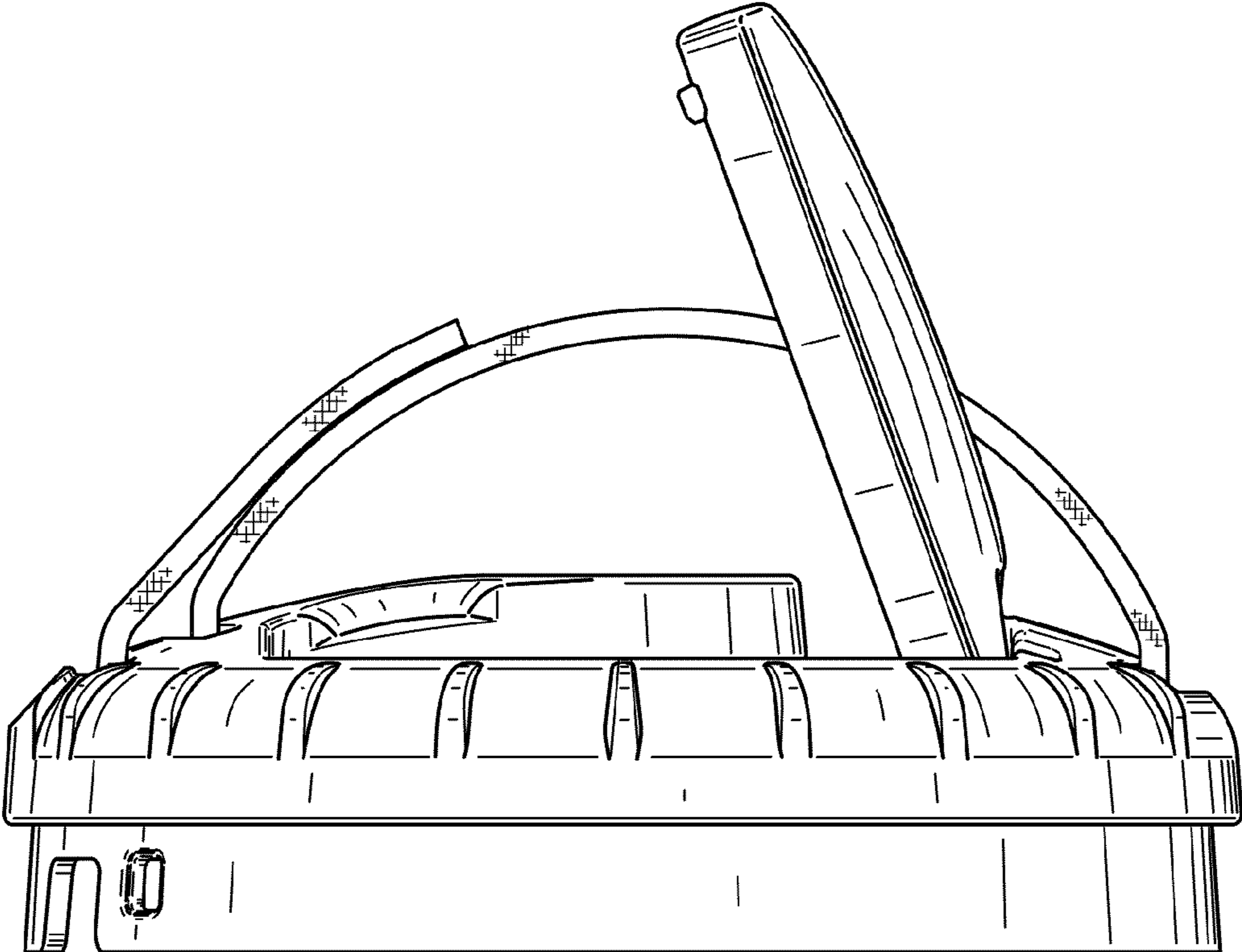


Fig. 11

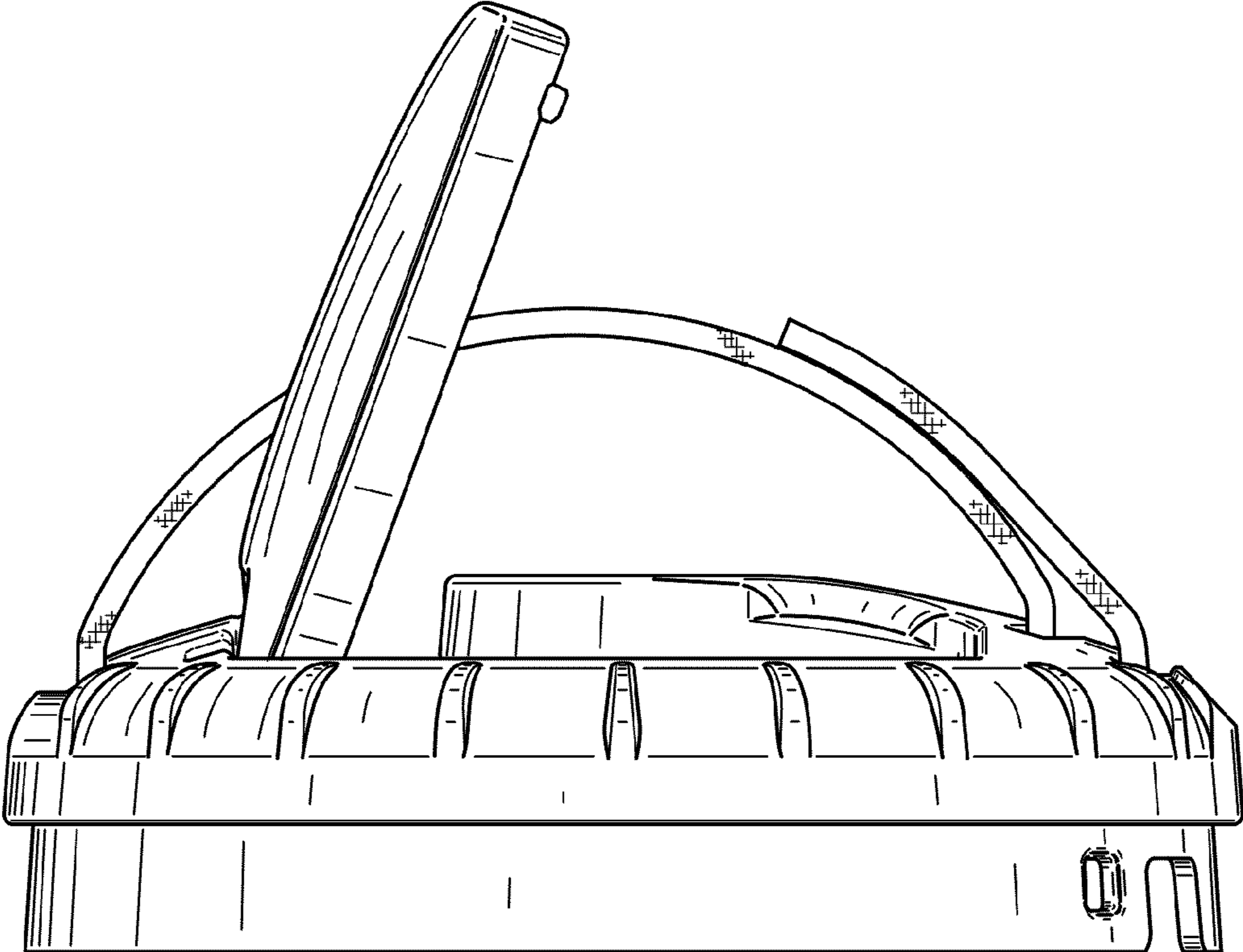


Fig. 12

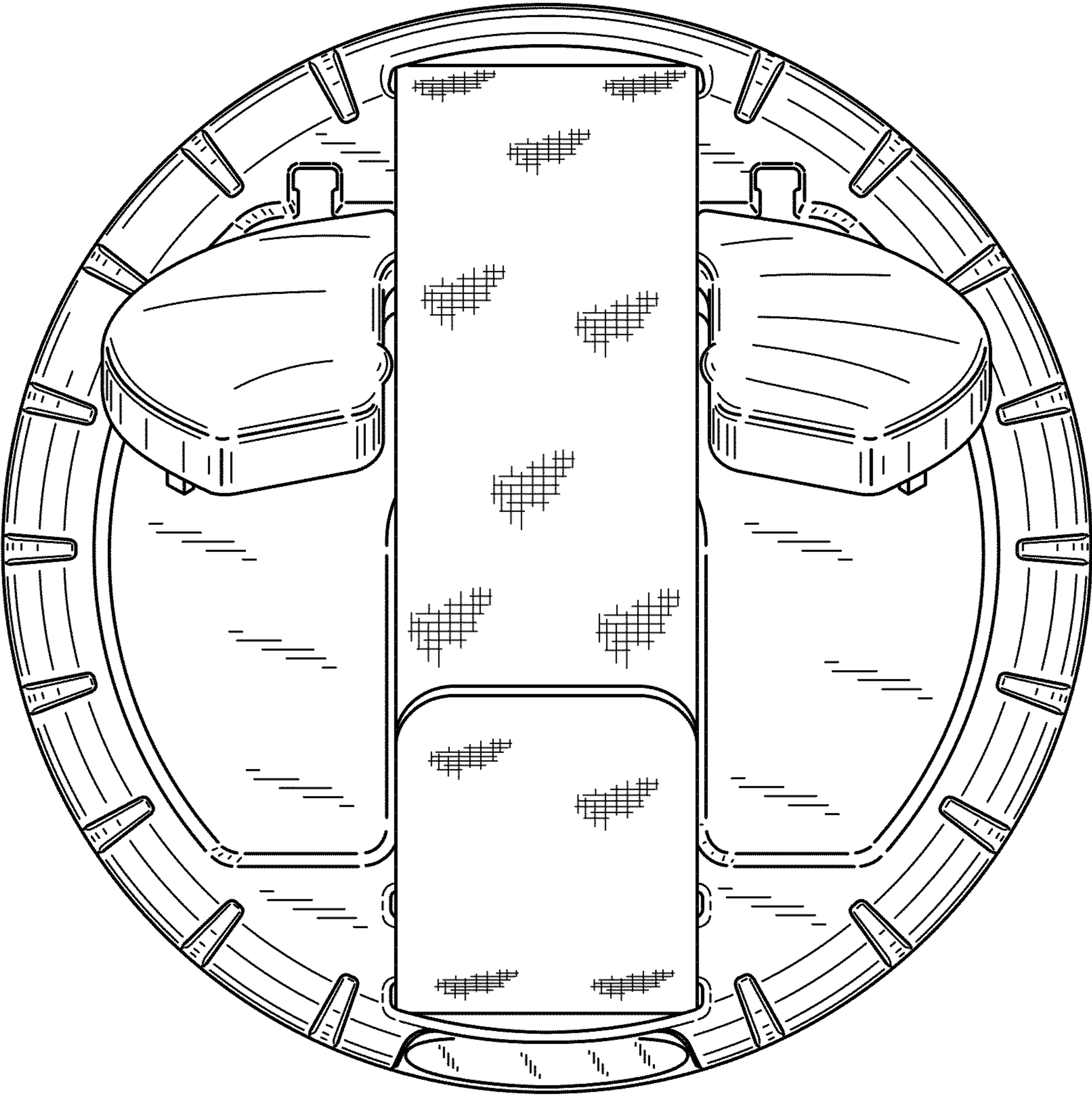


Fig. 13

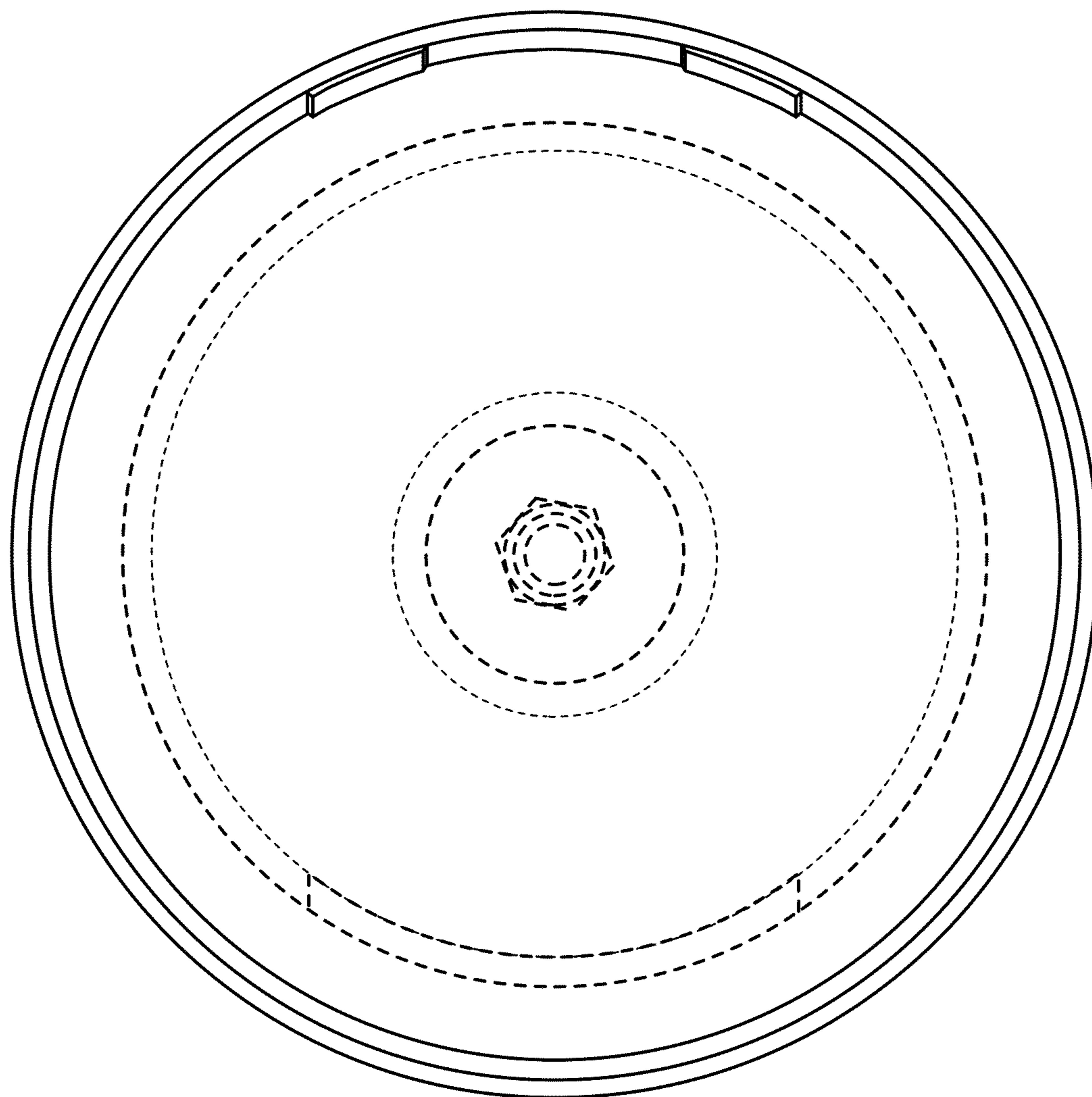


Fig. 14

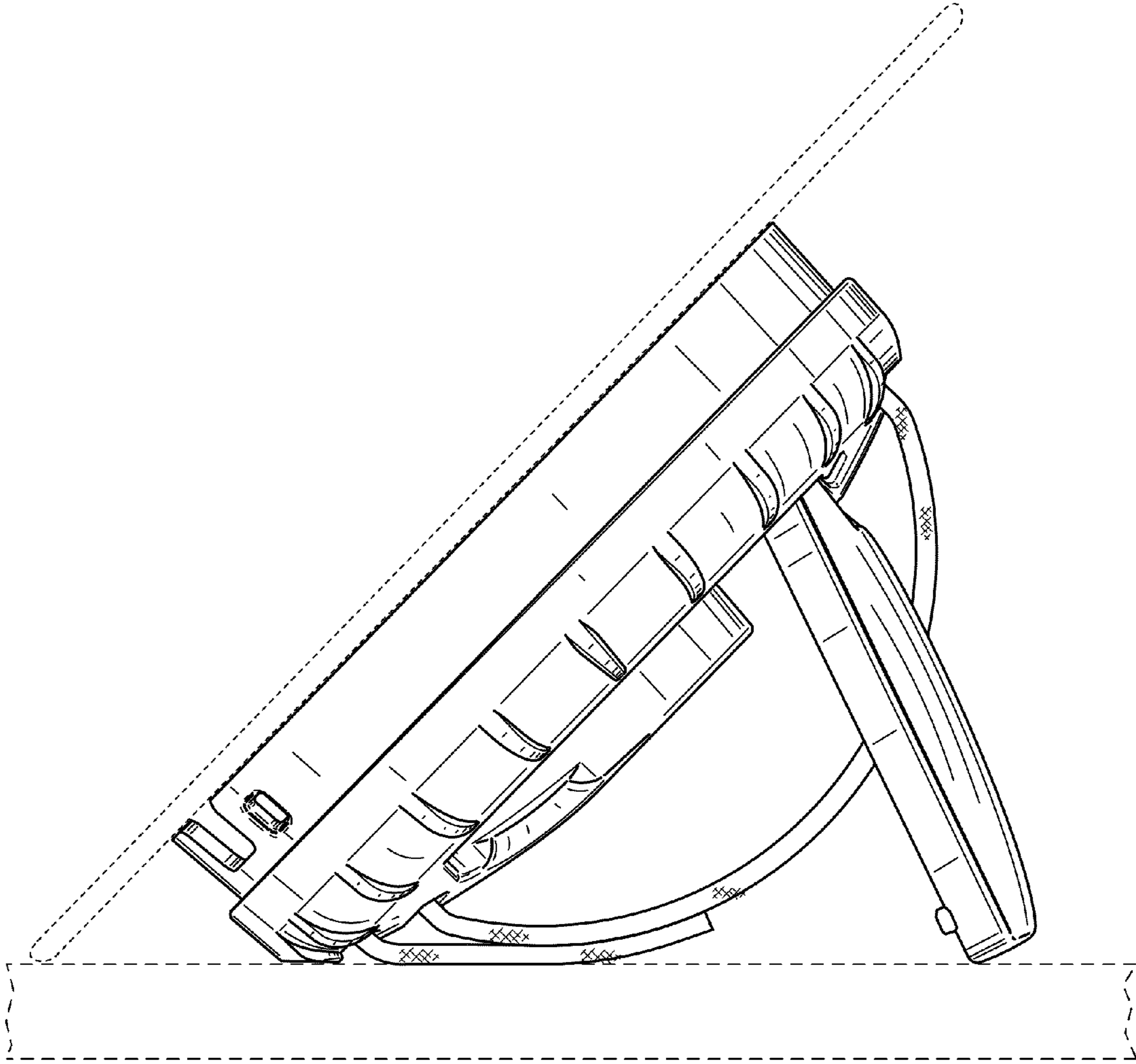


Fig. 15