



US00D756364S

(12) **United States Design Patent**
Hong et al.

(10) **Patent No.:** **US D756,364 S**

(45) **Date of Patent:** **** May 17, 2016**

- (54) **TABLET COVER**
- (71) Applicant: **Hewlett-Packard Development Company, L.P.**, Houston, TX (US)
- (72) Inventors: **Insun Hong**, Houston, TX (US); **Dimitre Mehandjiysky**, Cypress, TX (US); **Kevin L. Massaro**, Houston, TX (US); **Ming-Chih Kuo**, Taipei (TW)
- (73) Assignee: **Hewlett-Packard Development Company, L.P.**, Houston, TX (US)
- (**) Term: **14 Years**
- (21) Appl. No.: **29/487,784**
- (22) Filed: **Apr. 11, 2014**
- (51) **LOC (10) Cl.** **14-02**
- (52) **U.S. Cl.**
USPC **D14/440**
- (58) **Field of Classification Search**
USPC D14/250, 251, 253, 240, 217, 496, 440, D14/203.3, 203.4, 203.5, 203.8, 341, 318; D3/218, 215, 201, 294, 289, 900; 220/4.02; 248/309.1; 361/679.56; 379/426, 433.11, 455; 455/575.1, 455/575.8, 457.1; 190/100; 206/305, 320, 206/45.2; D21/469; 312/240
CPC ... G06F 1/1601; G06F 1/1626; G06F 1/1633; G06F 1/1675; G06F 1/1679; G02F 1/1306; G02F 1/133; G02F 1/133308; G02F 1/153; G02F 1/1533; G02F 2001/133317; H04M 1/185; H04M 1/0252; H04B 1/3888
See application file for complete search history.

- D658,188 S * 4/2012 Diebel D14/440
- D663,304 S * 7/2012 Akana et al. D14/440
- 8,245,843 B1 * 8/2012 Wu 206/320
- 8,312,991 B2 * 11/2012 Diebel et al. 206/45.24
- D671,948 S * 12/2012 Akana et al. D14/440
- D672,353 S * 12/2012 Liu D14/440
- D672,781 S * 12/2012 Lu D14/440
- D675,625 S * 2/2013 Hasbrook et al. D14/440
- D678,260 S * 3/2013 Bau D14/250
- D679,279 S * 4/2013 Yang et al. D14/440
- D679,715 S * 4/2013 Akana et al. D14/440
- 8,424,830 B2 * 4/2013 Yang et al. 248/459
- D681,641 S * 5/2013 Van Den Nieuwenhuizen et al. D14/440
- D682,836 S * 5/2013 Akana et al. D14/440
- D682,838 S * 5/2013 Akana et al. D14/440
- D683,141 S * 5/2013 Symons D6/310

(Continued)

Primary Examiner — Cynthia Underwood
(74) *Attorney, Agent, or Firm* — Morgan, Lewis & Bockius LLP

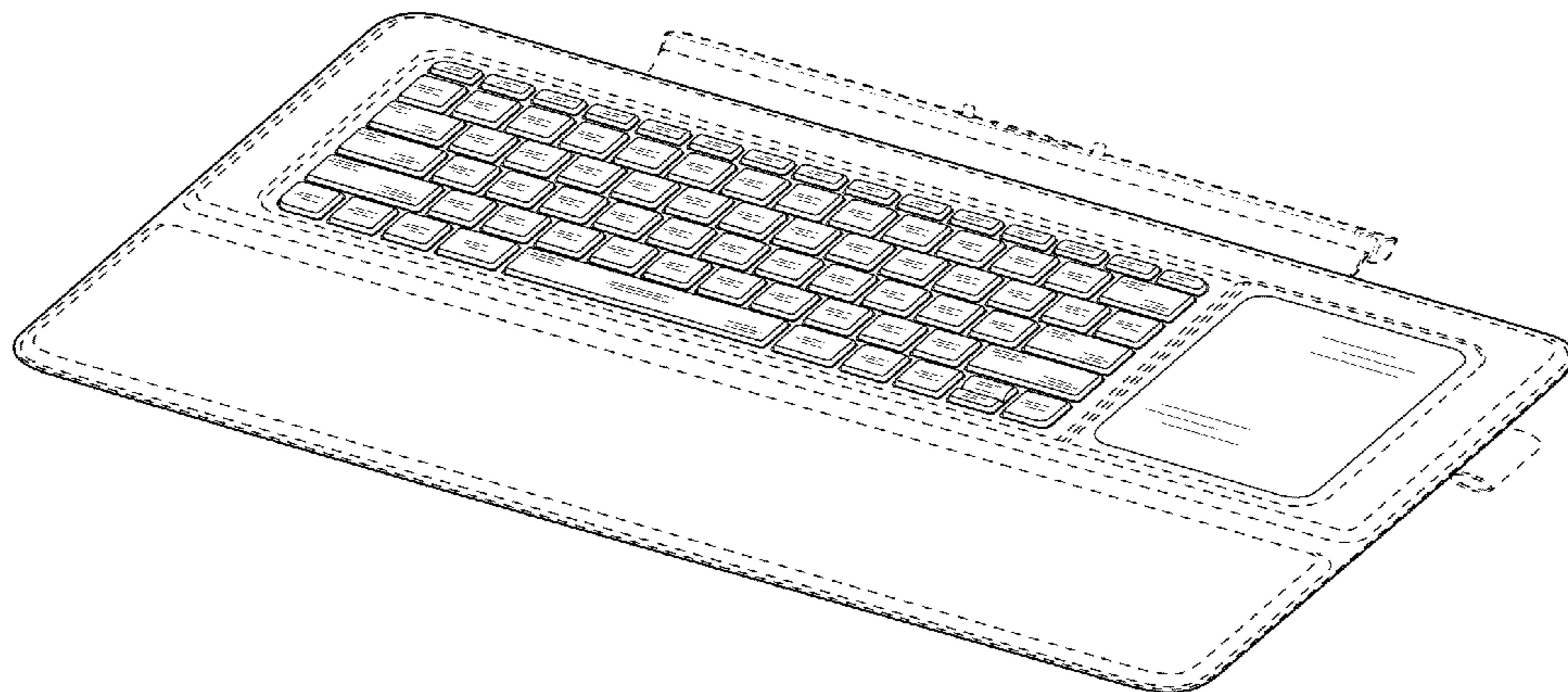
(57) **CLAIM**
The ornamental design for a tablet cover, as shown and described.

DESCRIPTION

FIG. 1 is a top perspective view of a first embodiment of a tablet cover in accordance with our new design;
FIG. 2 is a front elevational view of the tablet cover shown in FIG. 1;
FIG. 3 is a rear elevational view of the tablet cover shown in FIG. 1;
FIG. 4 is a left-side elevational view of the tablet cover shown in FIG. 1;
FIG. 5 is a right-side elevational view of the tablet cover shown in FIG. 1;
FIG. 6 is a bottom plan view of the tablet cover shown in FIG. 1; and,
FIG. 7 is a top plan view of the tablet cover shown in FIG. 1.
The broken lines shown in the drawings represent portions of the tablet cover that form no part of the claimed design.

1 Claim, 5 Drawing Sheets

- (56) **References Cited**
U.S. PATENT DOCUMENTS
1,613,536 A * 1/1927 Rose 132/315
D230,376 S * 2/1974 Andrew D19/91
6,772,879 B1 * 8/2004 Domotor 206/45.23
D658,187 S * 4/2012 Diebel D14/440



(56)

References Cited

U.S. PATENT DOCUMENTS

D687,438 S *	8/2013	Lu	D14/440	D708,838 S *	7/2014	Lee	D3/201
D690,305 S *	9/2013	Wen	D14/440	8,763,795 B1 *	7/2014	Oten et al.	206/45.23
D690,702 S *	10/2013	Chung	D14/440	8,766,921 B2 *	7/2014	Ballagas et al.	345/168
D691,142 S *	10/2013	Diebel	D14/440	8,773,353 B2 *	7/2014	Wei	345/156
D692,434 S *	10/2013	Kim	D14/440	D710,859 S *	8/2014	Mecchella et al.	D14/440
D693,823 S *	11/2013	Chen et al.	D14/440	8,797,132 B2 *	8/2014	Childs et al.	335/219
D695,296 S *	12/2013	Hsu	D14/440	2003/0034263 A1 *	2/2003	D'Hoste	206/320
D696,253 S *	12/2013	Akana et al.	D14/345	2008/0302687 A1 *	12/2008	Sirichai et al.	206/320
D696,256 S *	12/2013	Piedra et al.	D14/440	2009/0159763 A1 *	6/2009	Kim	248/174
D696,669 S *	12/2013	Akana et al.	D14/440	2011/0266194 A1 *	11/2011	Bau	206/736
8,640,864 B2 *	2/2014	Chen et al.	206/45.2	2011/0290687 A1 *	12/2011	Han	206/320
8,657,112 B2 *	2/2014	Igarashi	206/320	2012/0211377 A1 *	8/2012	Sajid	206/216
D701,205 S *	3/2014	Akana et al.	D14/345	2012/0211613 A1 *	8/2012	Yang et al.	248/174
D702,673 S *	4/2014	Murchison et al.	D14/250	2012/0305413 A1 *	12/2012	Chung	206/45.23
D704,689 S *	5/2014	Chang	D14/250	2012/0308981 A1 *	12/2012	Libin et al.	434/362
D704,693 S *	5/2014	Kim	D14/250	2013/0015088 A1 *	1/2013	Wu	206/320
D706,270 S *	6/2014	Akana et al.	D14/440	2013/0020216 A1 *	1/2013	Chiou	206/320
D706,783 S *	6/2014	Almodova	D14/440	2013/0140203 A1 *	6/2013	Chiang	206/320
D707,229 S *	6/2014	Almodova	D14/440	2013/0213838 A1 *	8/2013	Tsai et al.	206/320
8,757,375 B2 *	6/2014	Huang	206/320	2013/0214661 A1 *	8/2013	McBroom	312/325
				2013/0241381 A1 *	9/2013	Hynecek et al.	312/240
				2013/0264459 A1 *	10/2013	McCosh et al.	248/688

* cited by examiner

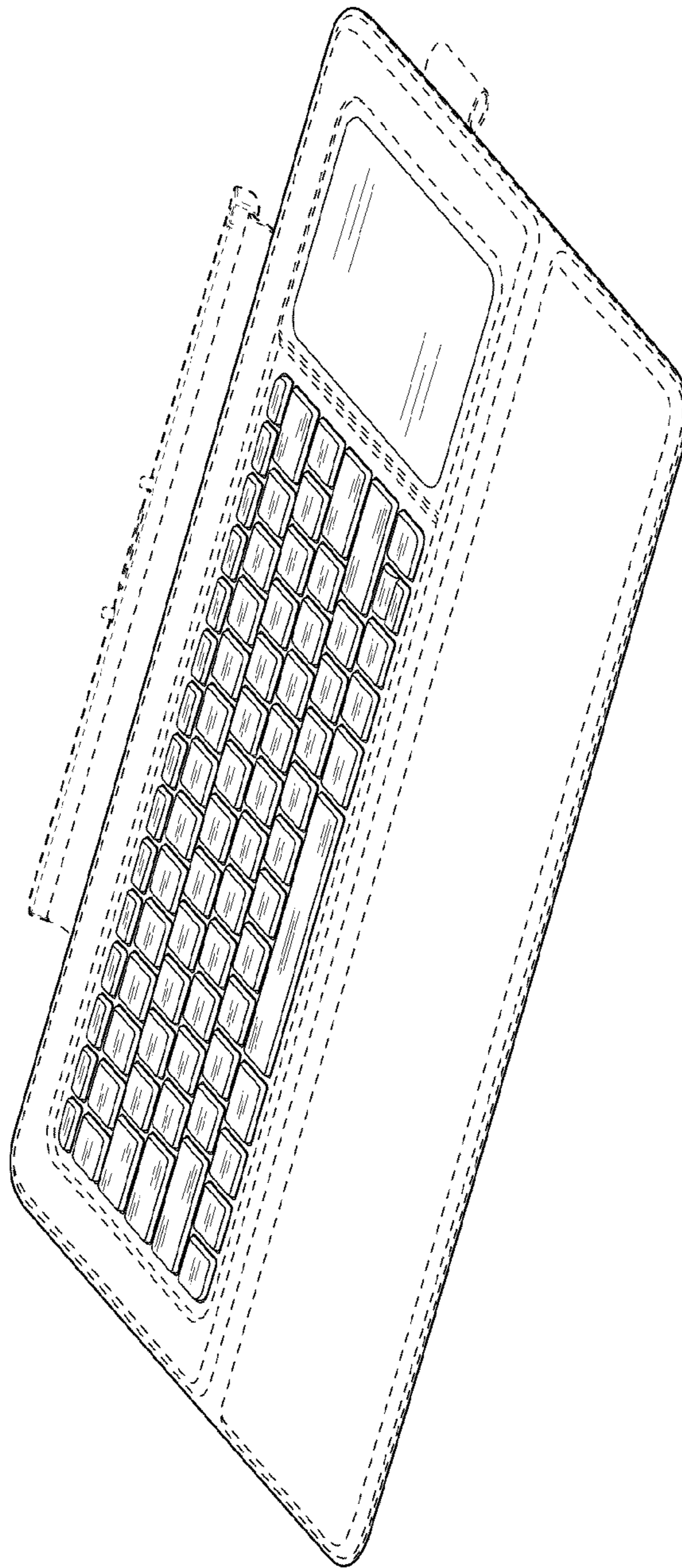


FIG. 1



FIG. 2



FIG. 3



FIG. 4

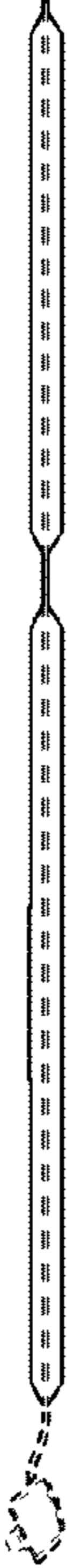


FIG. 5

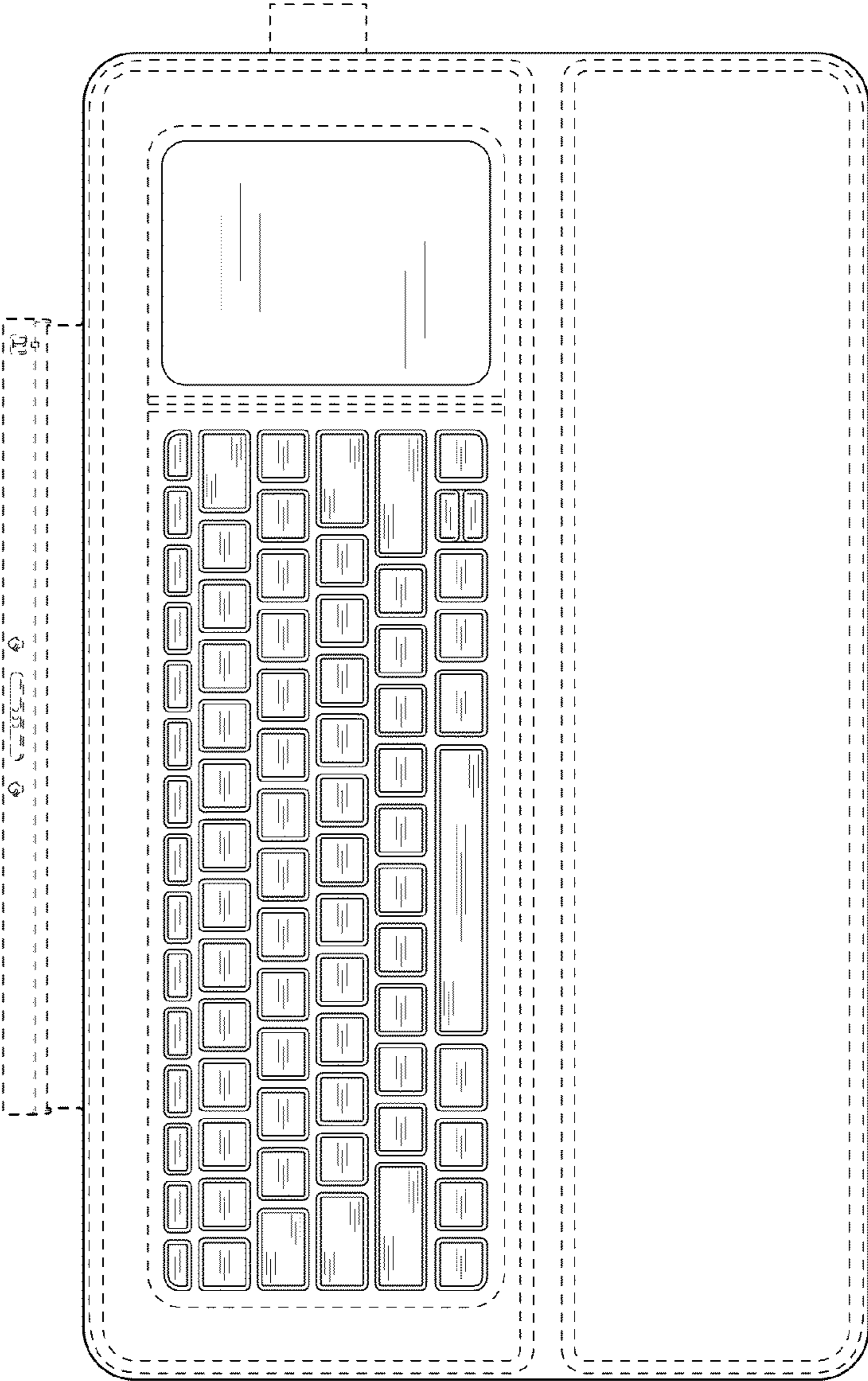


FIG. 6

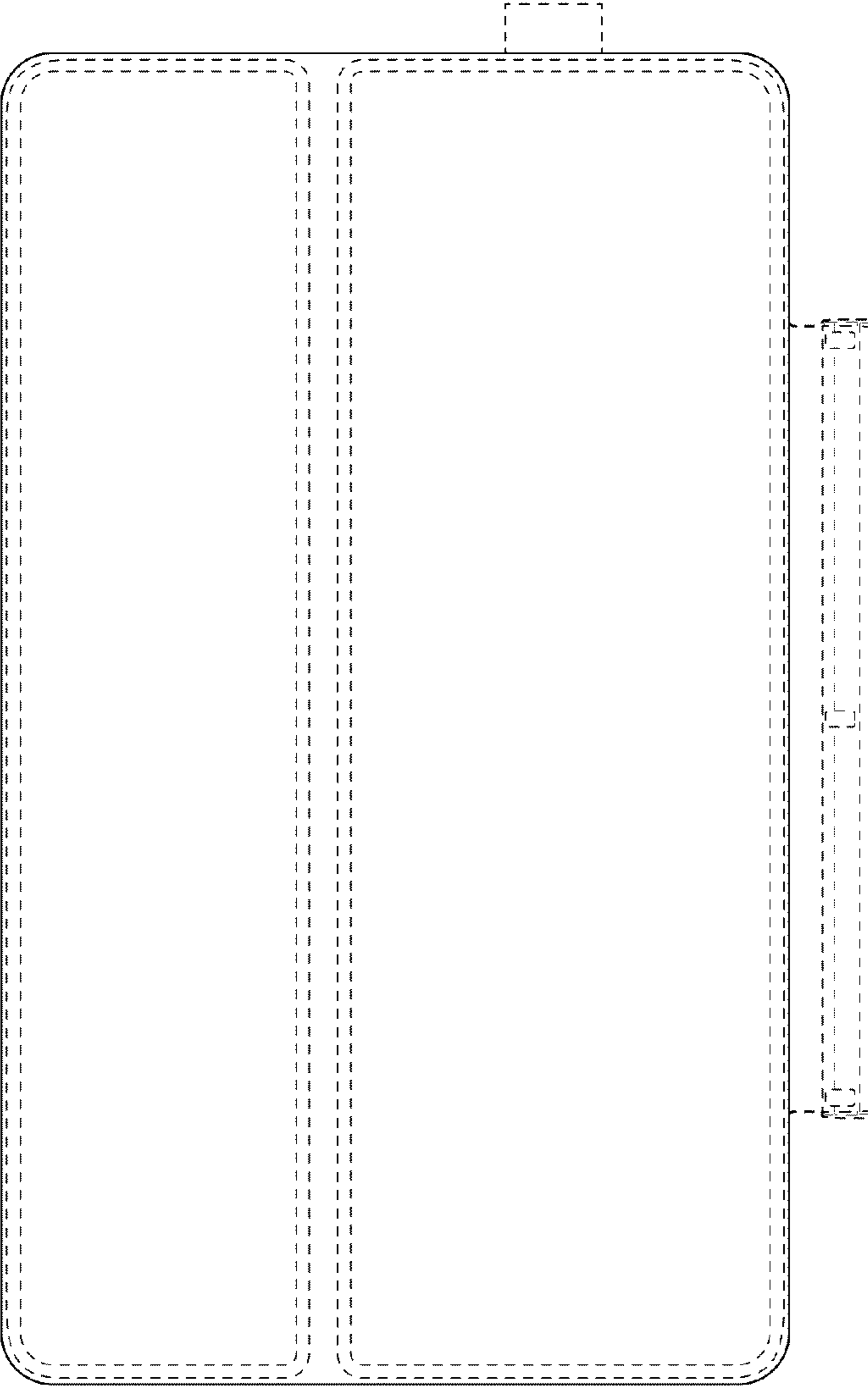


FIG. 7