



US00D756362S

(12) **United States Design Patent**  
**Kurek**

(10) **Patent No.:** **US D756,362 S**

(45) **Date of Patent:** **\*\* May 17, 2016**

(54) **ACCUMULATOR UNIT**

(71) Applicant: **Sennheiser electronic GmbH & Co. KG, Wedemark (DE)**

(72) Inventor: **Peter Kurek, Burgwedel (DE)**

(73) Assignee: **Sennheiser electronic GmbH & Co. KG, Wedemark (DE)**

(\*\*) Term: **14 Years**

(21) Appl. No.: **29/496,246**

(22) Filed: **Jul. 10, 2014**

(30) **Foreign Application Priority Data**

Jan. 14, 2014 (DE) ..... 40 2014 000 151

(51) **LOC (10) Cl.** ..... **14-02**

(52) **U.S. Cl.**  
USPC ..... **D14/432**

(58) **Field of Classification Search**

USPC ..... D14/434, 447, 453, 432, 433, 385, 357,  
D14/149, 457, 253, 251, 356, 242, 439,  
D14/344; D13/108, 118, 199, 107, 177;  
D3/218, 228, 269; D18/12; D8/349,  
D8/382; 361/683, 686, 679, 600; 455/557,  
455/556.1, 556.2, 575.4, 569.2, 569.1;  
248/346.03, 176.1, 181.1, 309.1,  
248/221.11; 200/6 R  
CPC .. F15B 1/027; F15B 13/0431; F16H 61/0025;  
F16H 61/0009

See application file for complete search history.

(56) **References Cited**

**U.S. PATENT DOCUMENTS**

D346,370 S \* 4/1994 Hetfield ..... D13/184  
D575,288 S \* 8/2008 Chen ..... D14/432

D575,785 S \* 8/2008 Chang ..... D14/432  
D624,051 S \* 9/2010 Shimizu ..... D14/217  
D662,501 S \* 6/2012 Lohman ..... D14/432  
D665,982 S \* 8/2012 El ..... D14/432  
D676,852 S \* 2/2013 Lohman ..... D14/432  
D694,758 S \* 12/2013 Muller ..... D14/432

\* cited by examiner

*Primary Examiner* — Austin Murphy

(74) *Attorney, Agent, or Firm* — Frommer Lawrence & Haug LLP

(57) **CLAIM**

The ornamental design for an accumulator unit, as shown and described.

**DESCRIPTION**

FIG. 1 is a top view of the accumulator unit in accordance with the invention.

FIG. 2 is a bottom view of the accumulator unit in accordance with the invention.

FIG. 3 is a right side view of the accumulator unit in accordance with the invention.

FIG. 4 is a left side view of the accumulator unit in accordance with the invention.

FIG. 5 is a front view of the accumulator unit in accordance with the invention.

FIG. 6 is a rear view of the accumulator unit in accordance with the invention.

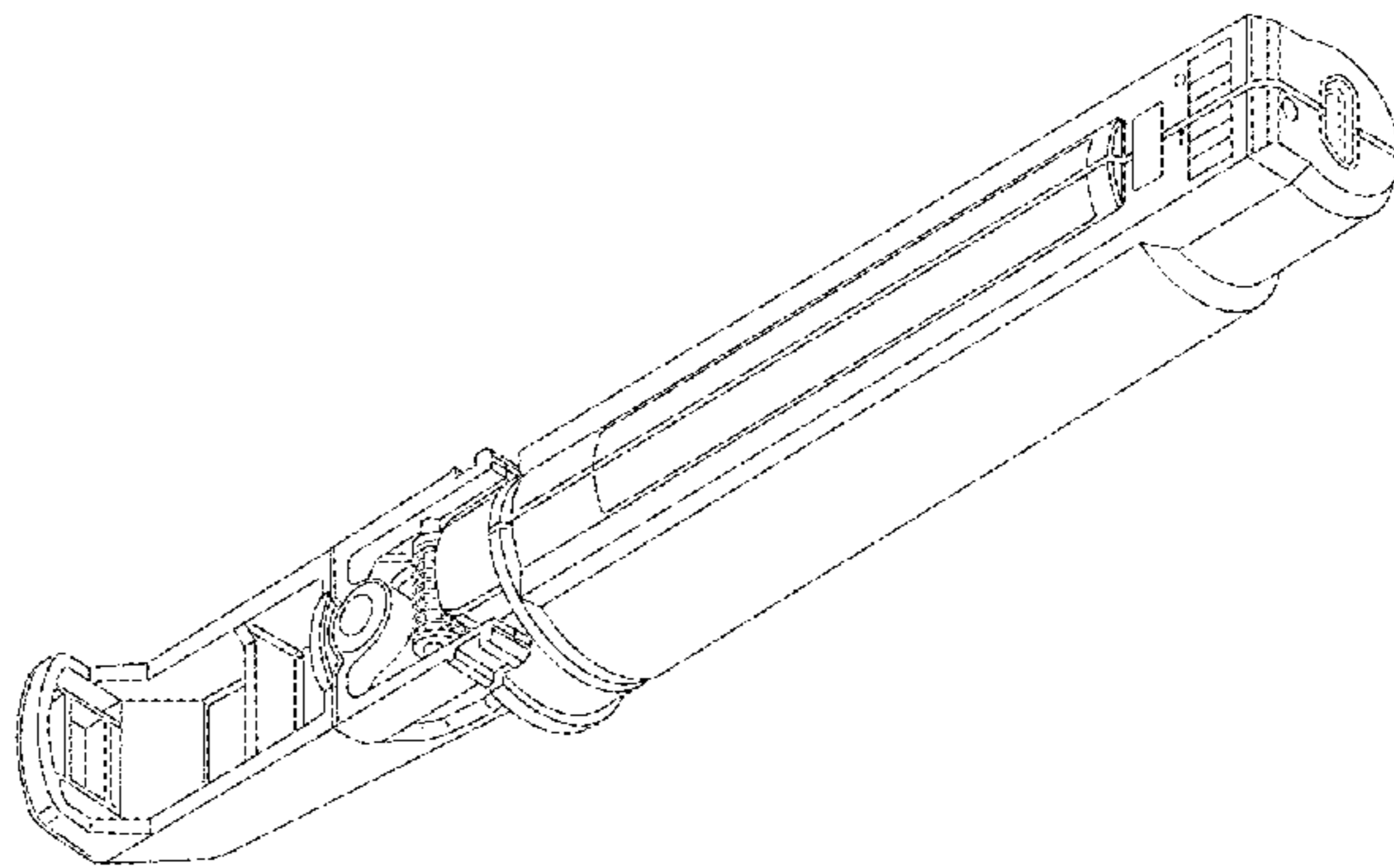
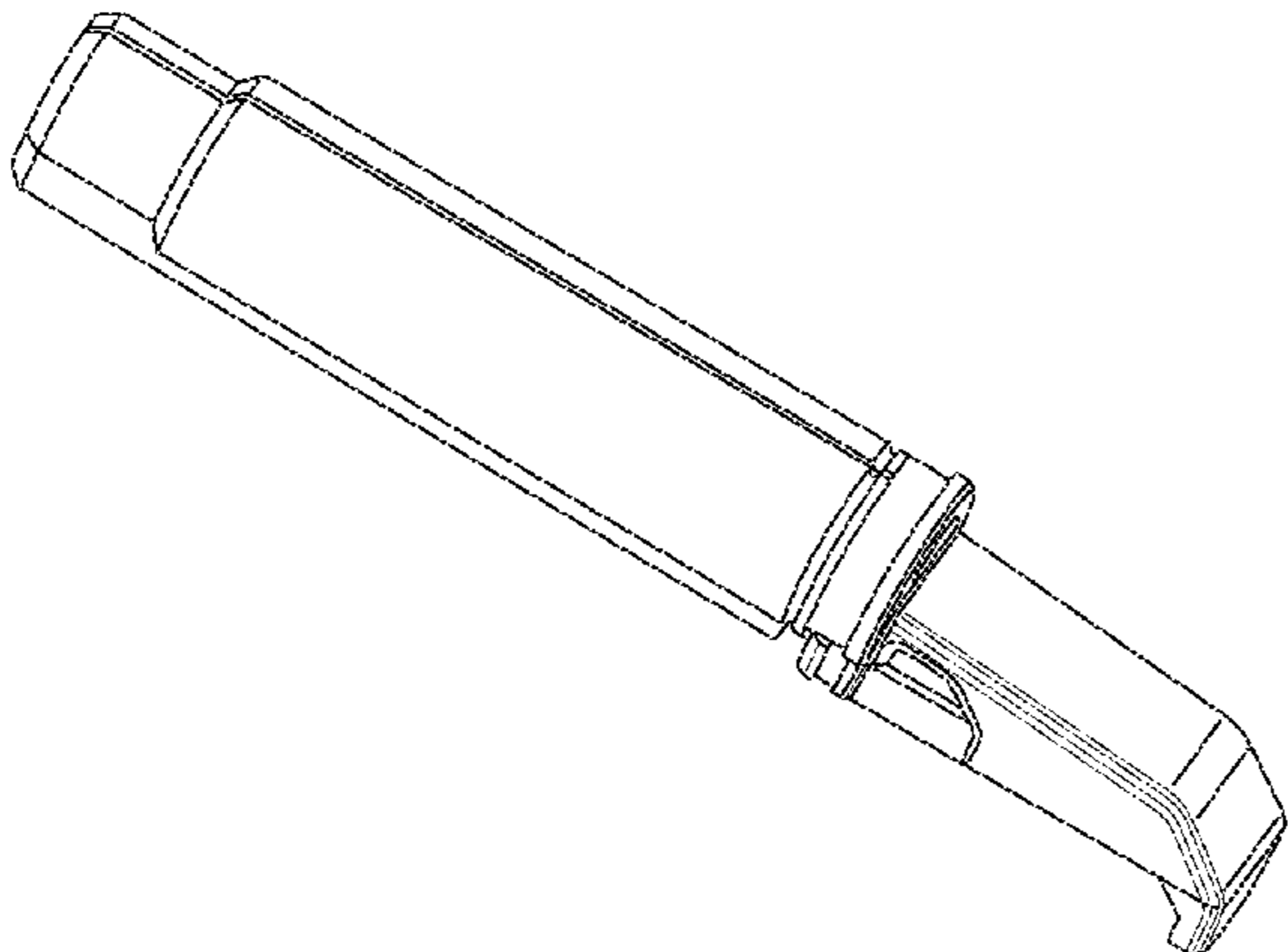
FIG. 7 is a top perspective view of the accumulator unit in accordance with the invention.

FIG. 8 is a bottom perspective view of the accumulator unit in accordance with the invention.

FIG. 9 is a rear perspective view of the accumulator unit in accordance with the invention; and,

FIG. 10 is a front perspective view of the accumulator unit in accordance with the invention.

**1 Claim, 10 Drawing Sheets**



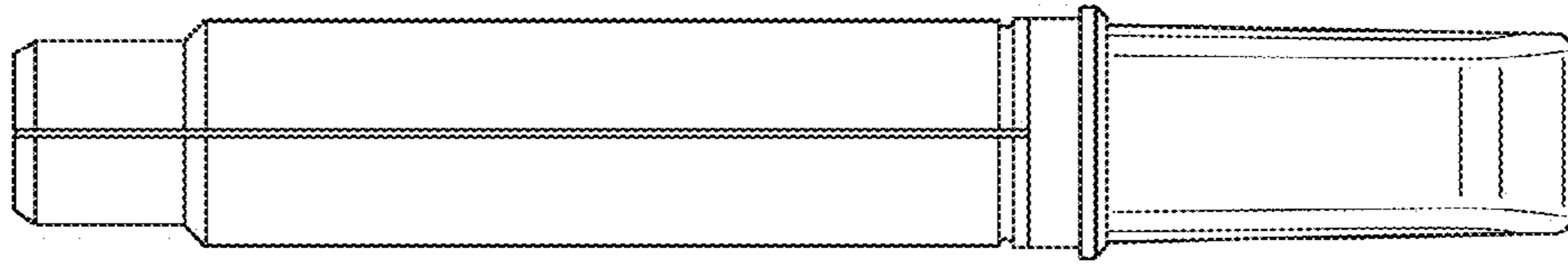


Fig. 1

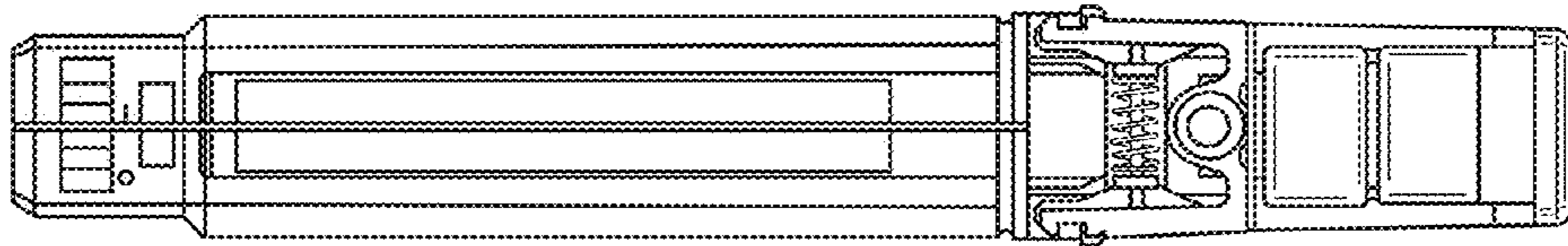


Fig. 2

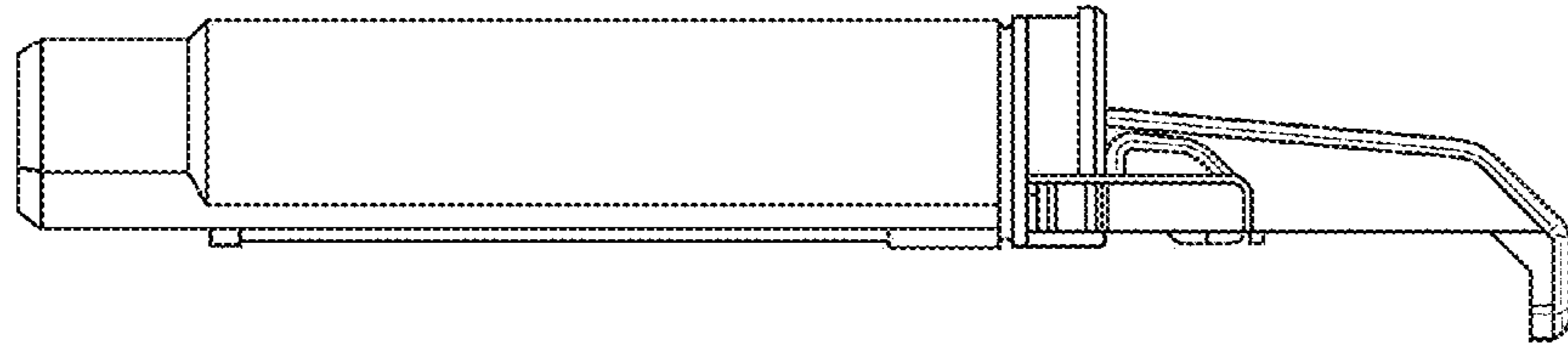


Fig. 3

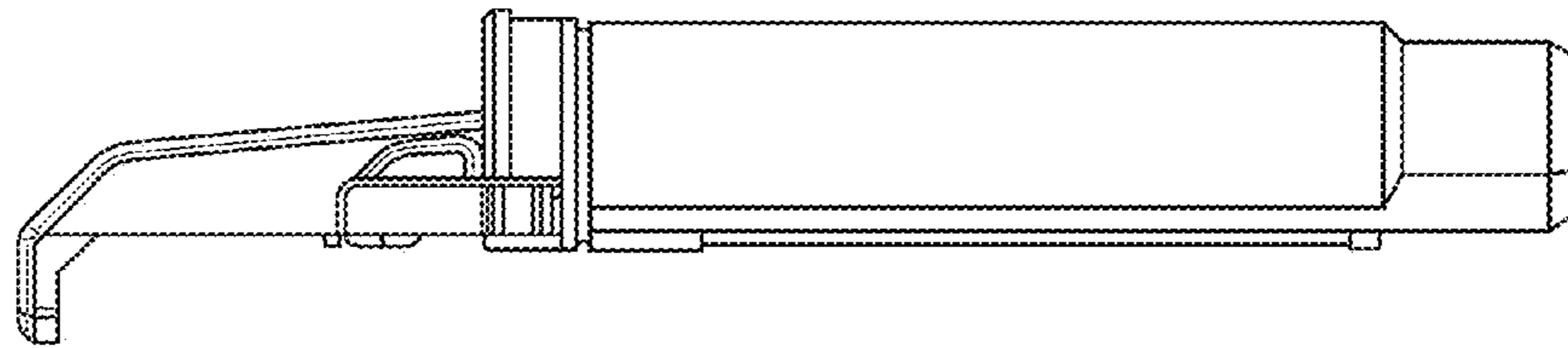


Fig. 4

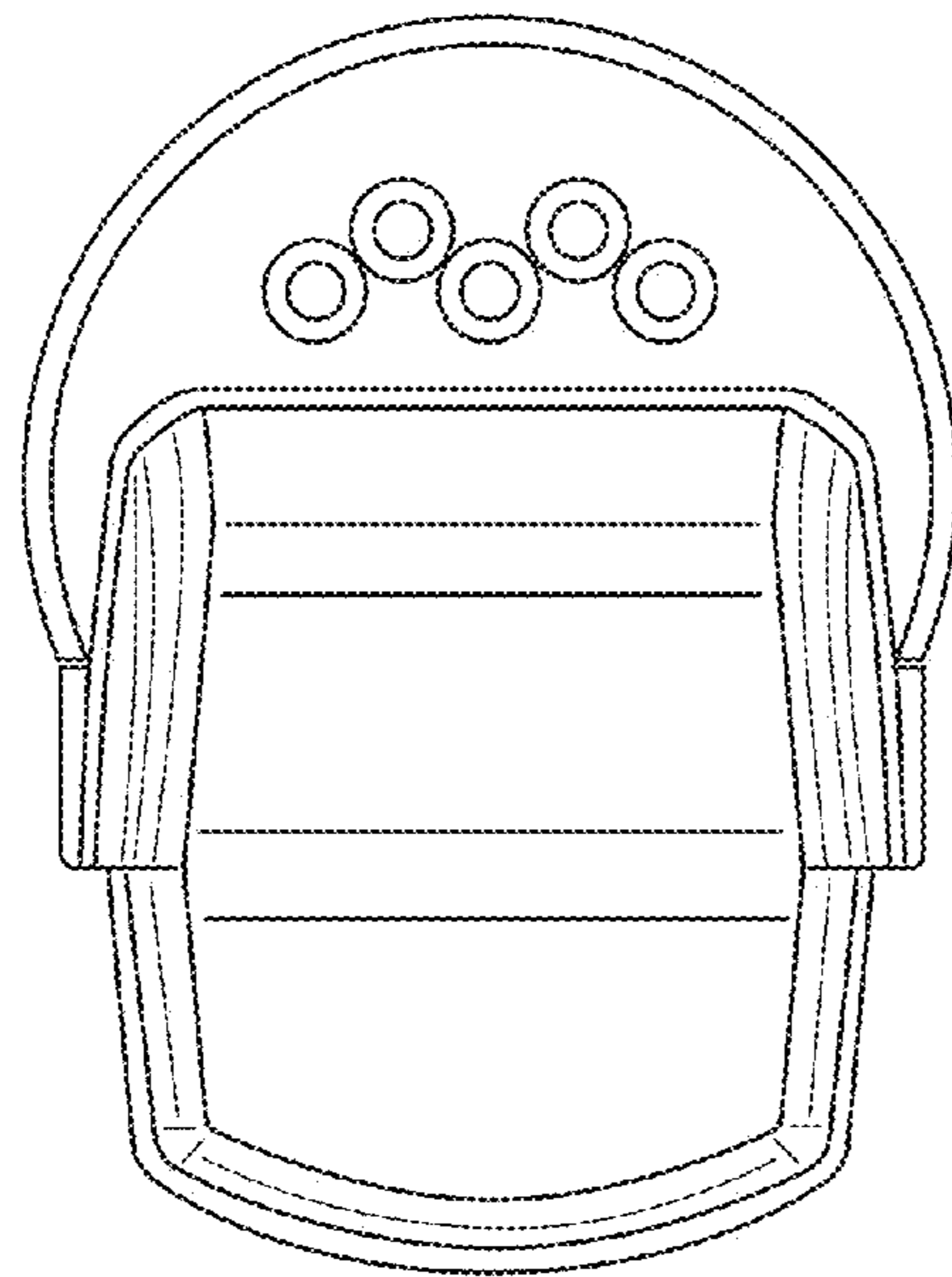


Fig. 5

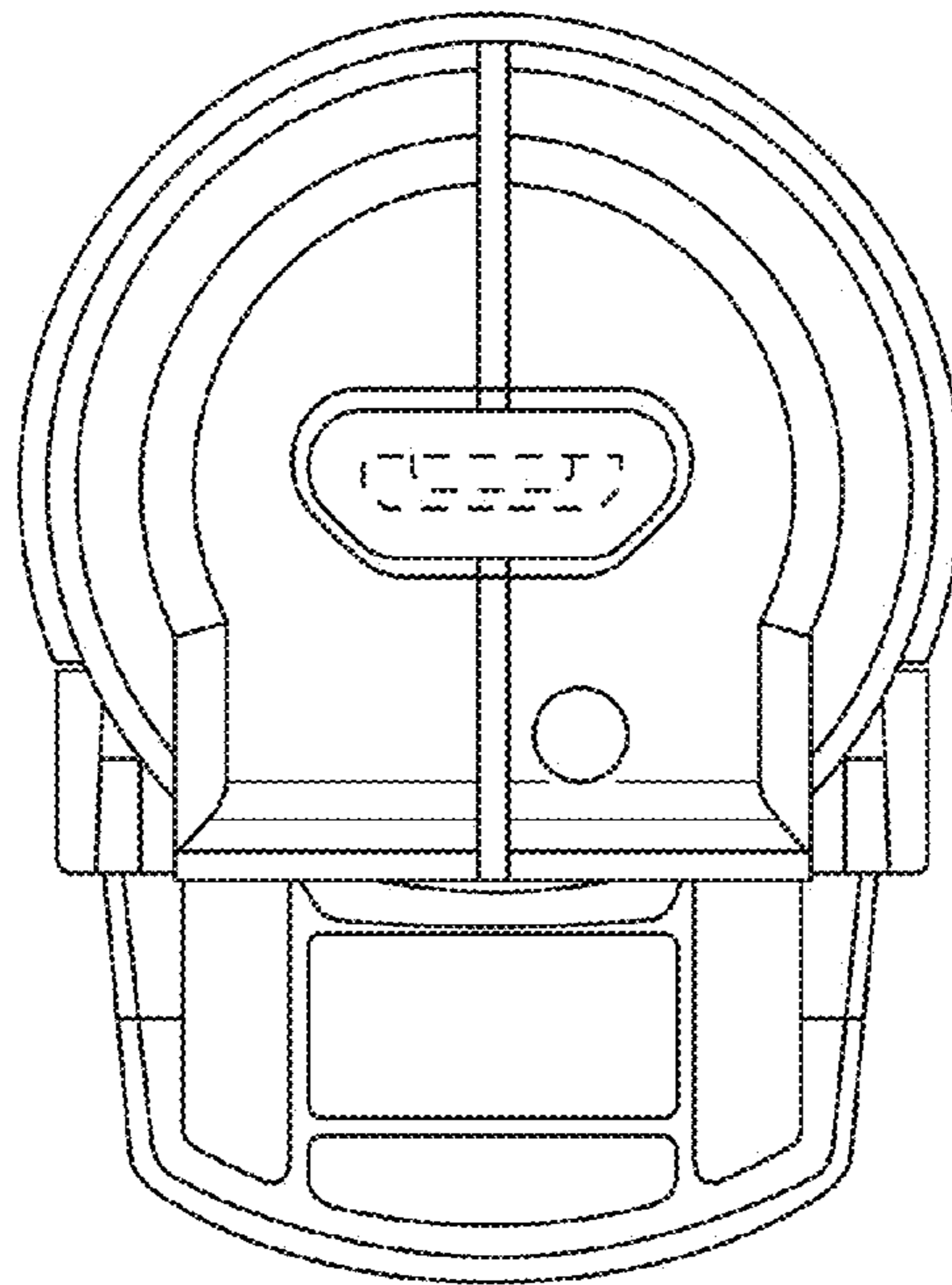


Fig. 6

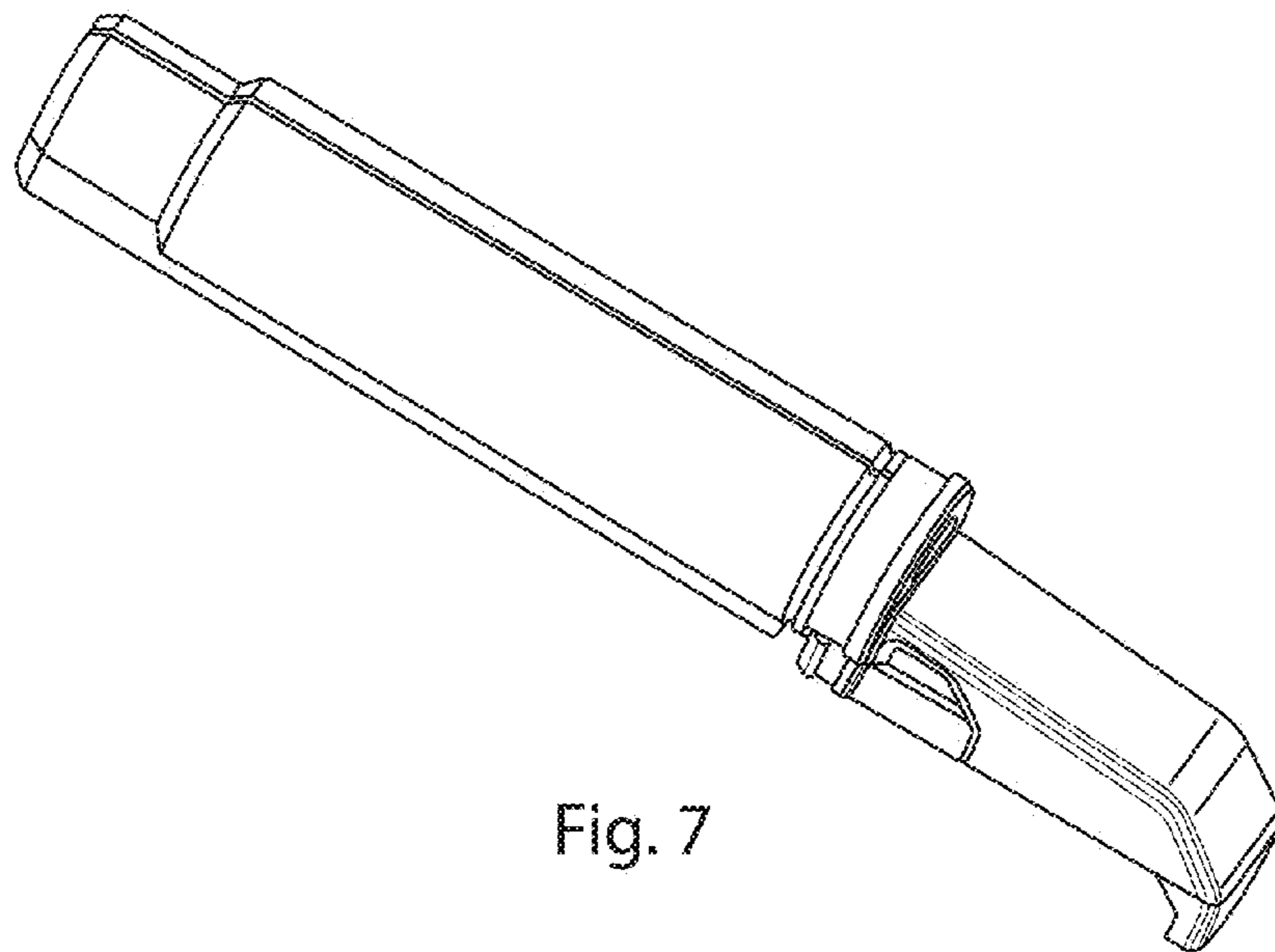


Fig. 7



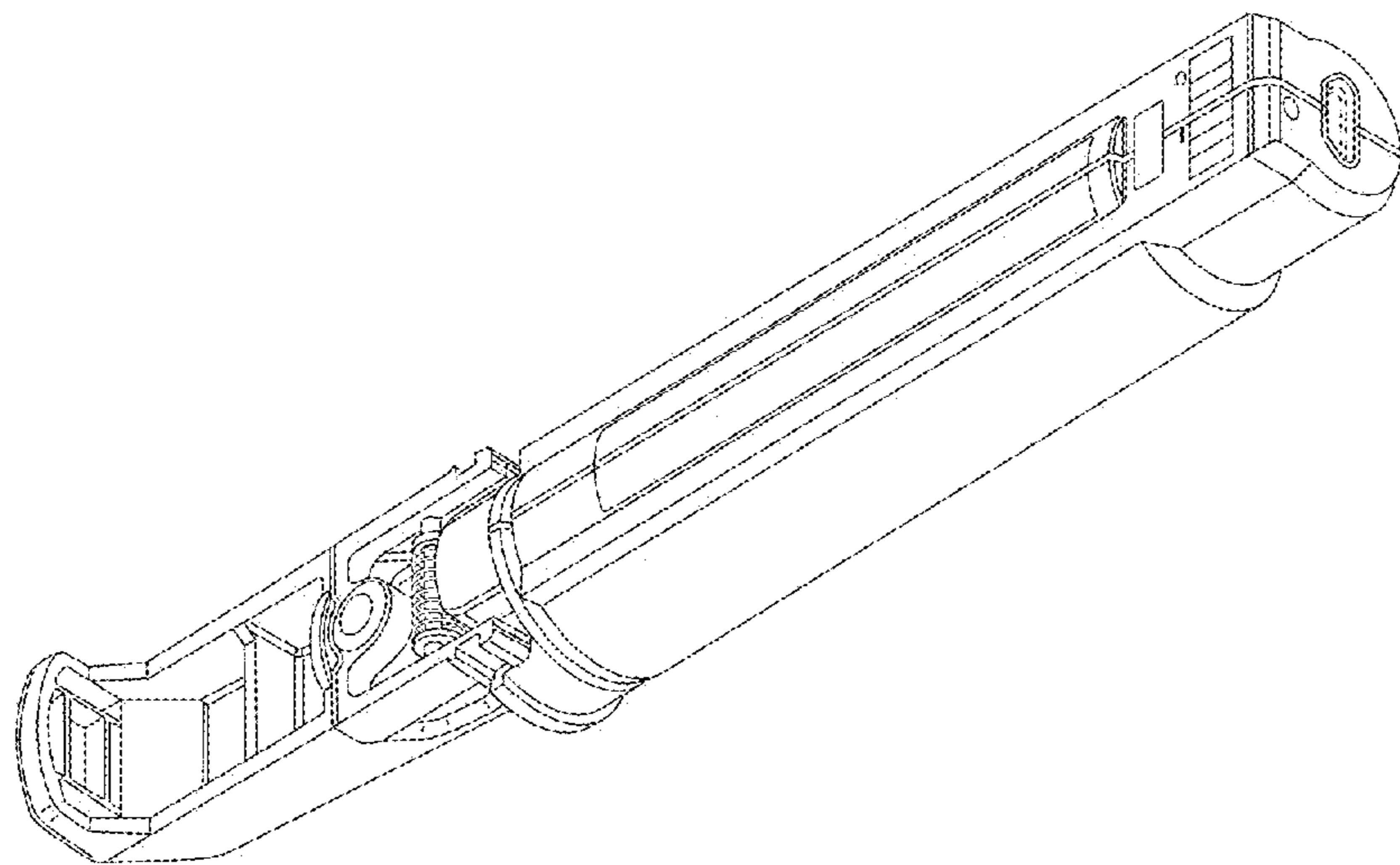


Fig. 8

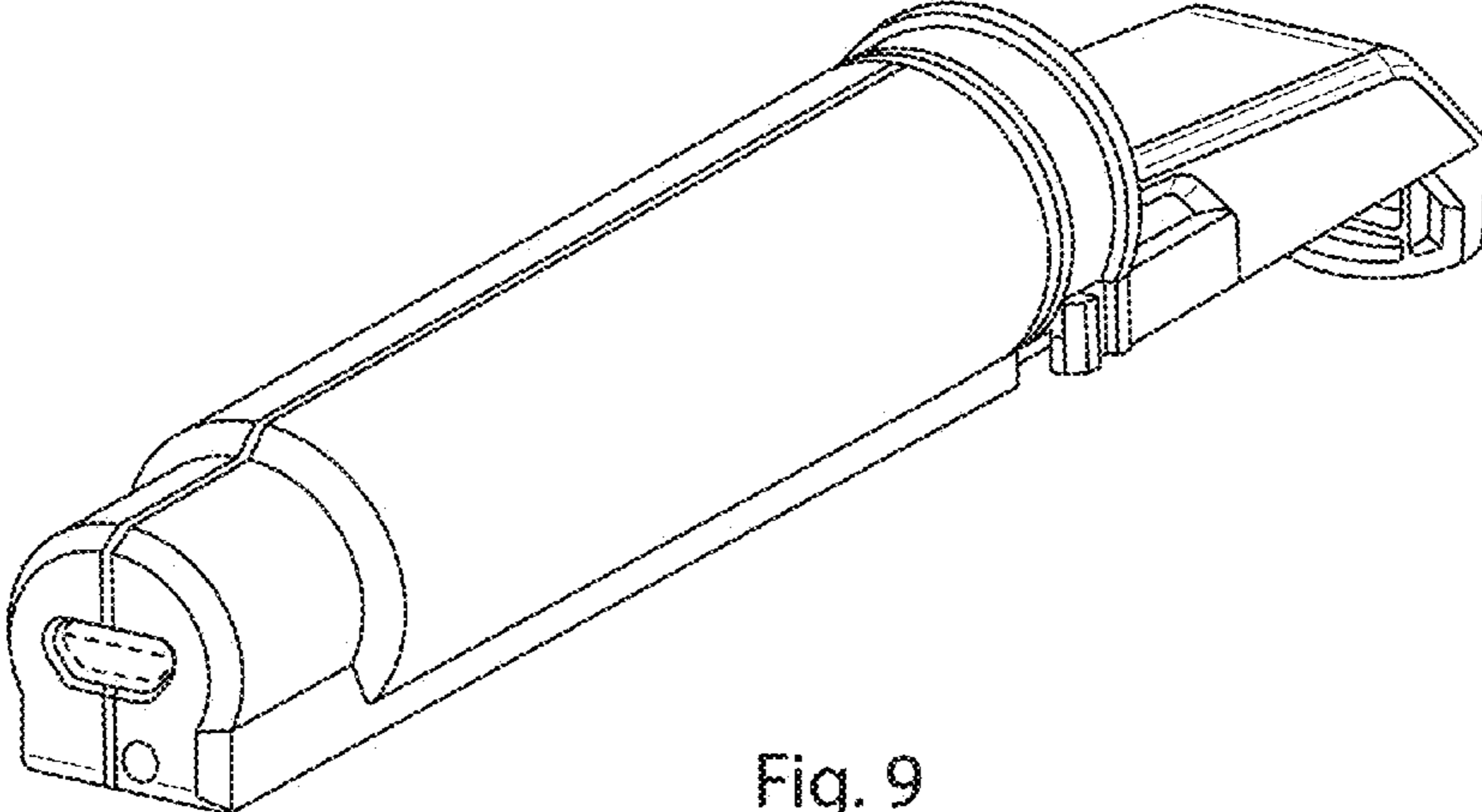


Fig. 9

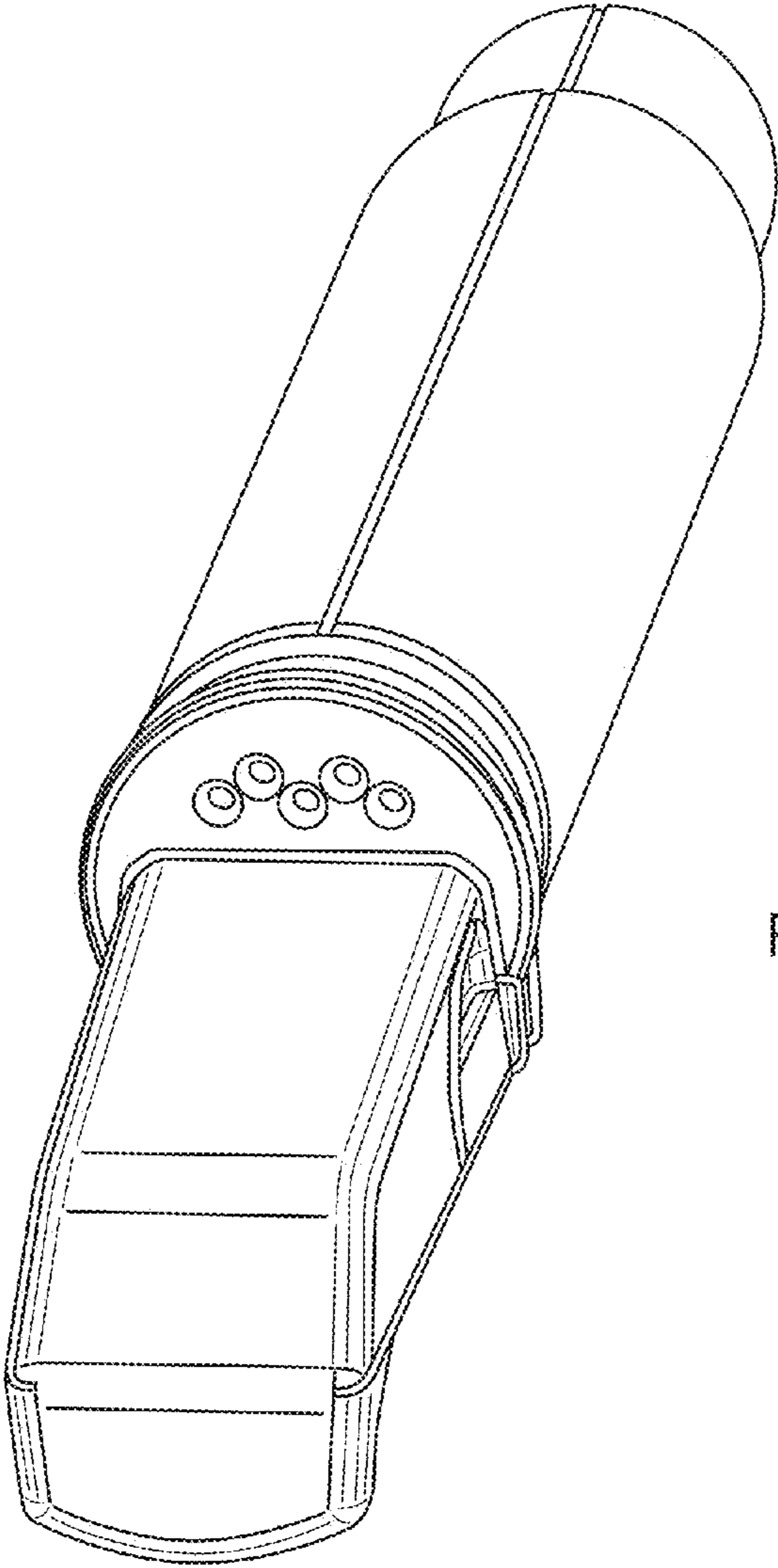


Fig. 10