



US00D756360S

(12) **United States Design Patent**
Zhu

(10) **Patent No.:** **US D756,360 S**

(45) **Date of Patent:** **** May 17, 2016**

(54) **TOUCH RING**

(71) Applicant: **HON HAI PRECISION INDUSTRY CO., LTD.**, New Taipei (TW)

(72) Inventor: **Mi-Lan Zhu**, Shenzhen (CN)

(73) Assignee: **HON HAI PRECISION INDUSTRY CO., LTD.**, New Taipei (TW)

(**) Term: **14 Years**

(21) Appl. No.: **29/511,497**

(22) Filed: **Dec. 11, 2014**

(30) **Foreign Application Priority Data**

Oct. 28, 2014 (TW) 103306254

(51) **LOC (10) Cl.** **14-02**

(52) **U.S. Cl.**
USPC **D14/402**

(58) **Field of Classification Search**
USPC D14/402-411, 356, 388, 389, 383-385,
D14/417, 426; 345/156-167; 463/36-38;
358/471, 473; 273/148 B
CPC G06F 3/03543; G06F 2203/0333;
G06F 3/039; G06F 3/038; G06F 2203/0384
See application file for complete search history.

(56) **References Cited**

U.S. PATENT DOCUMENTS

D411,131 S * 6/1999 Chen D11/27

D523,769 S * 6/2006 Arlanda D11/26
D576,625 S * 9/2008 Trigg D14/402
D585,321 S * 1/2009 Wheatley D11/26
D673,953 S * 1/2013 Li D11/27
D673,954 S * 1/2013 Li D11/27
D689,862 S * 9/2013 Liu D14/402
D705,228 S * 5/2014 Peters D11/26
D718,311 S * 11/2014 Burke D14/411
2011/0187680 A1 * 8/2011 Samol G06F 3/033
345/179

* cited by examiner

Primary Examiner — Austin Murphy

(74) *Attorney, Agent, or Firm* — Novak Druce Connolly Bove + Quigg LLP

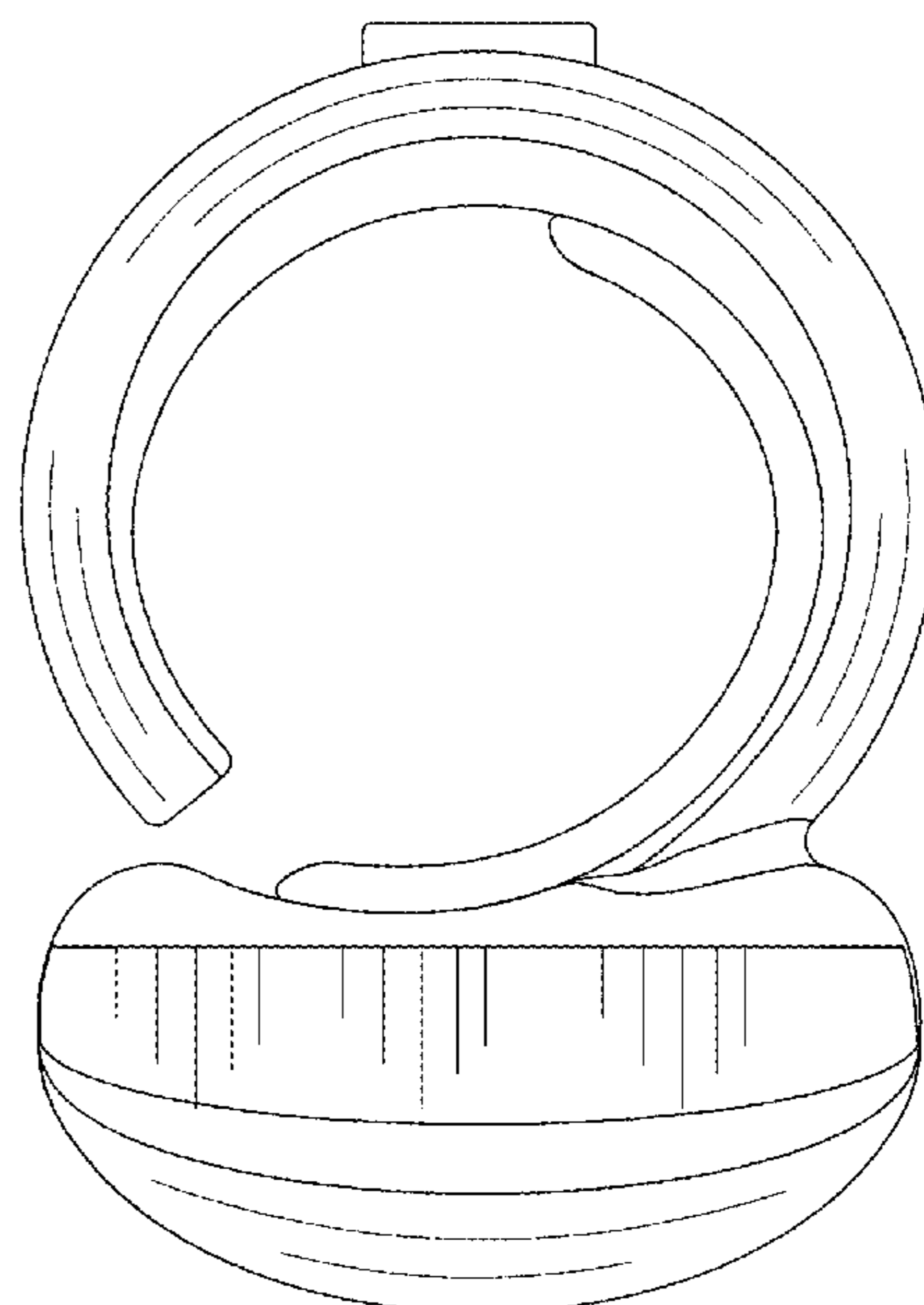
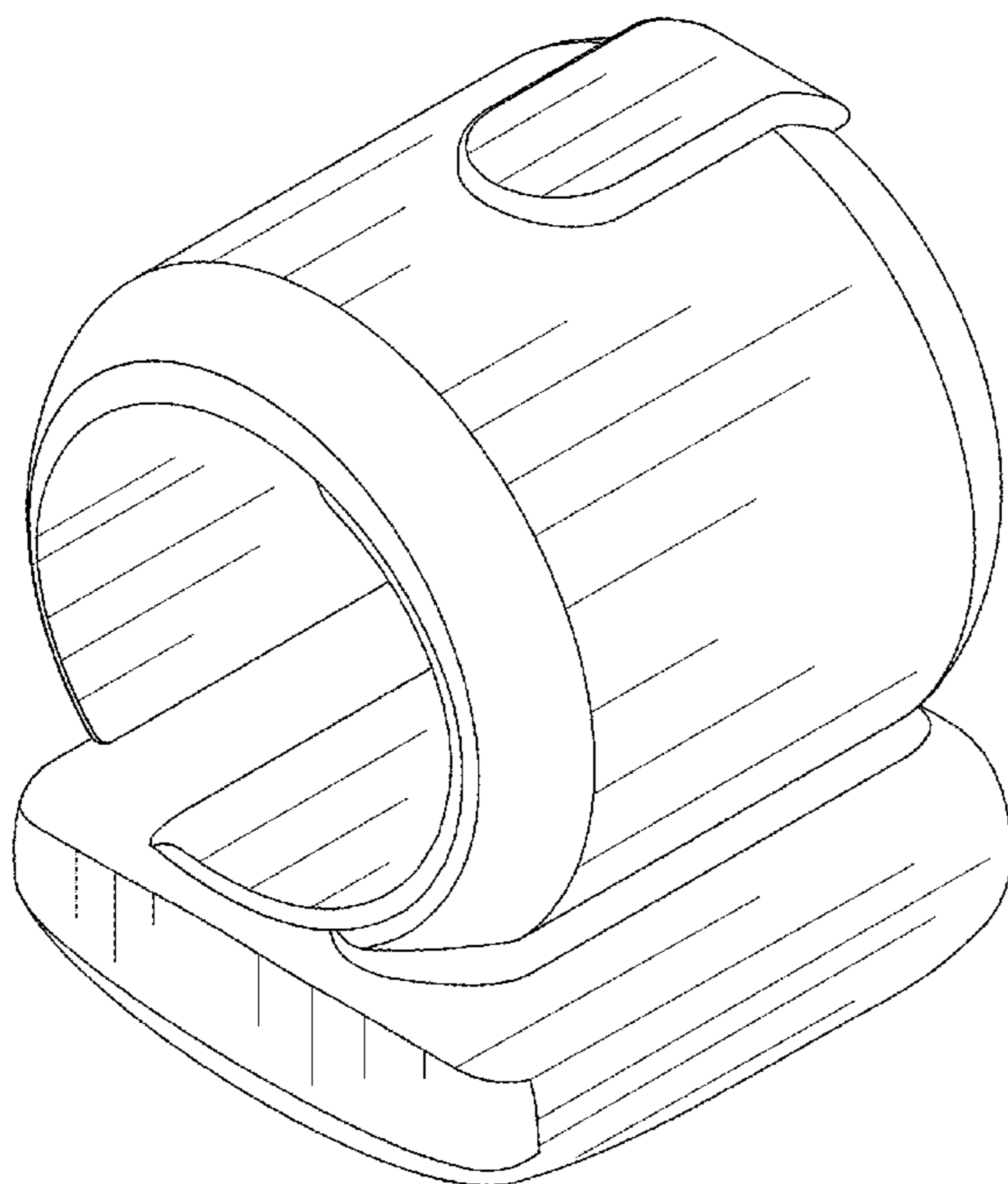
(57) **CLAIM**

I claim the ornamental design for a touch ring, as shown and described.

DESCRIPTION

FIG. 1 is a perspective view of a touch ring showing my new design;
FIG. 2 is a front elevational view thereof;
FIG. 3 is a rear elevational view thereof;
FIG. 4 is a left side elevational view thereof;
FIG. 5 is a right side elevational view thereof;
FIG. 6 is a top plan view thereof; and,
FIG. 7 is a bottom plan view thereof.

1 Claim, 7 Drawing Sheets



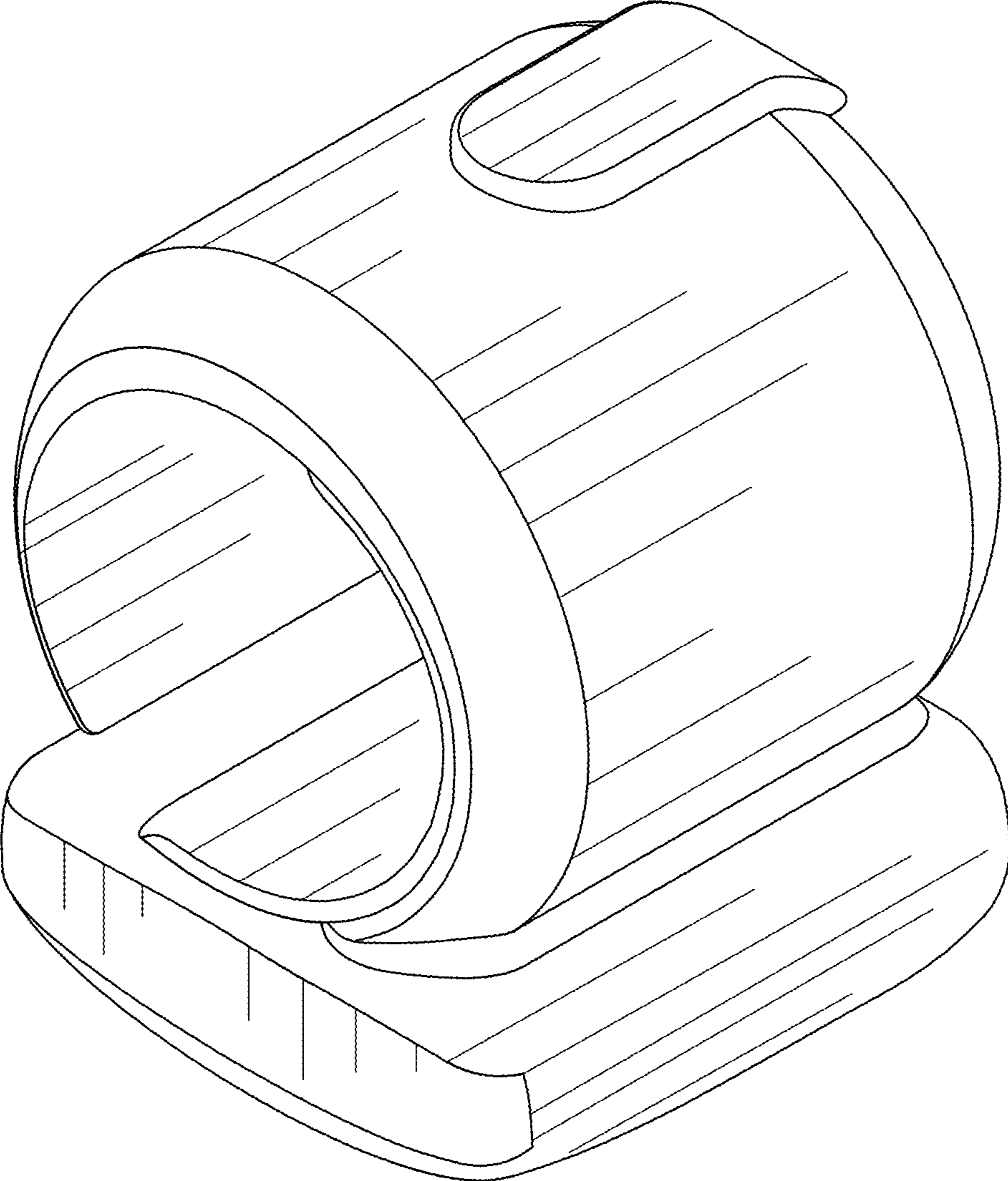


FIG. 1

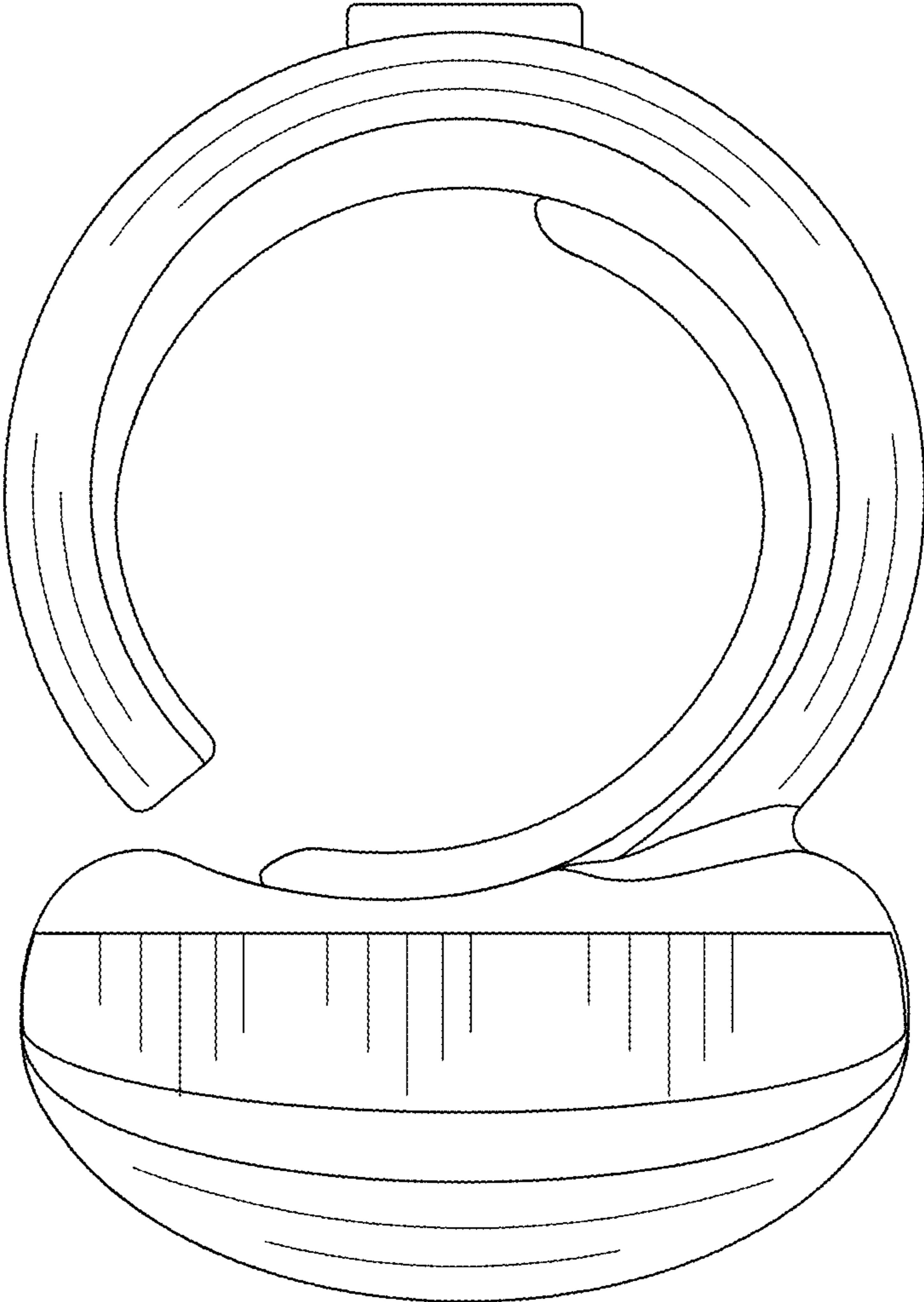


FIG. 2

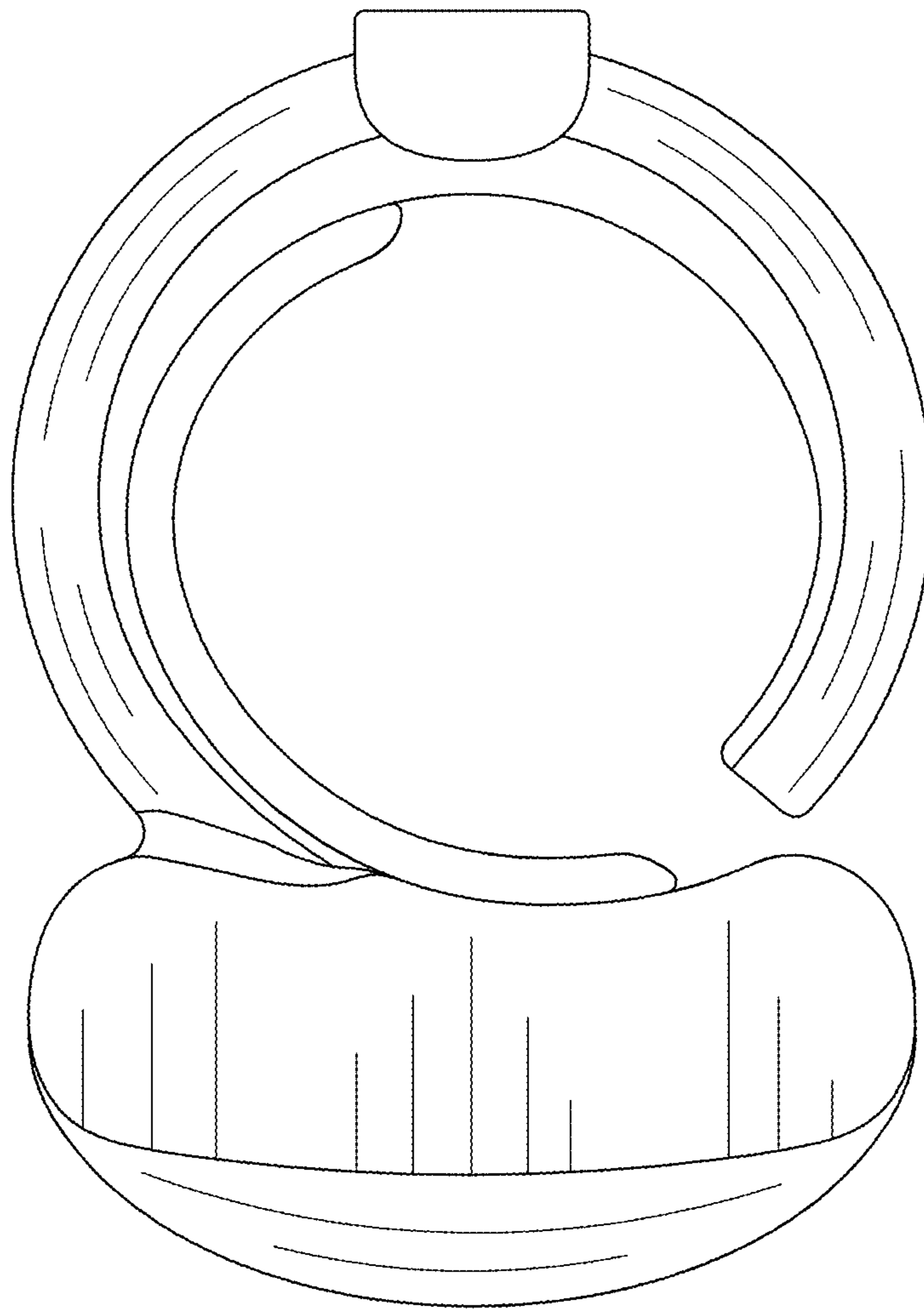


FIG. 3

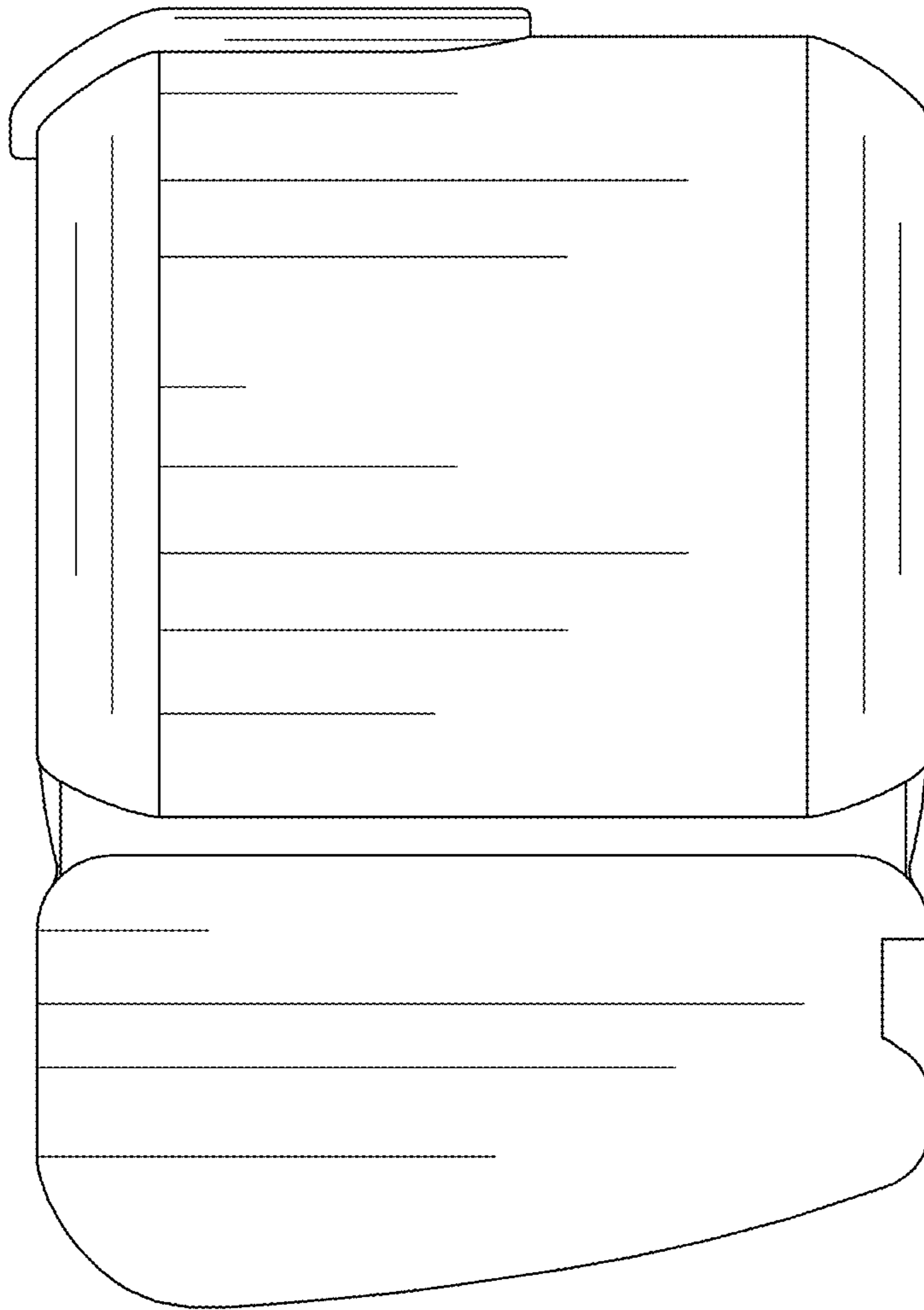


FIG. 4

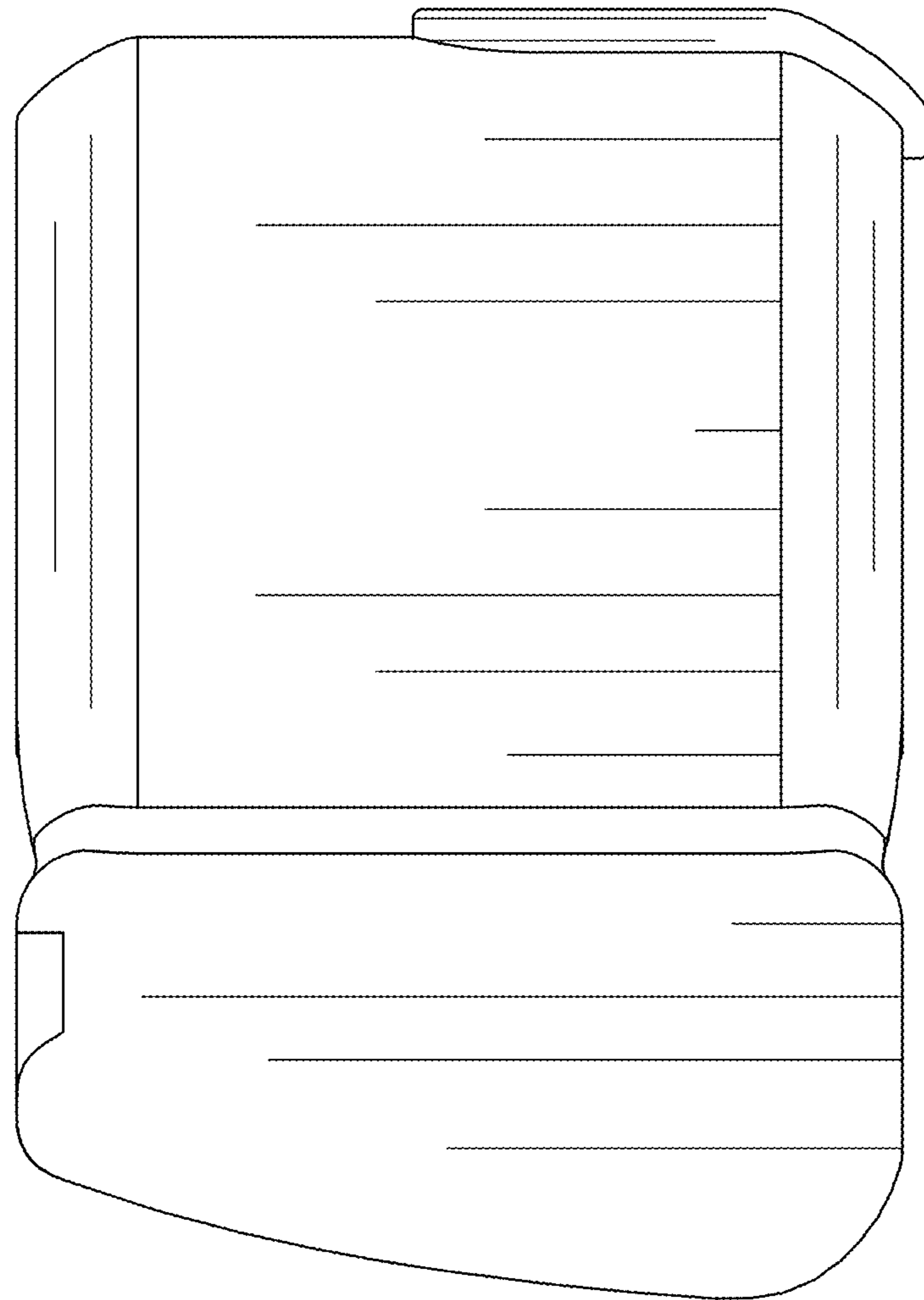


FIG. 5

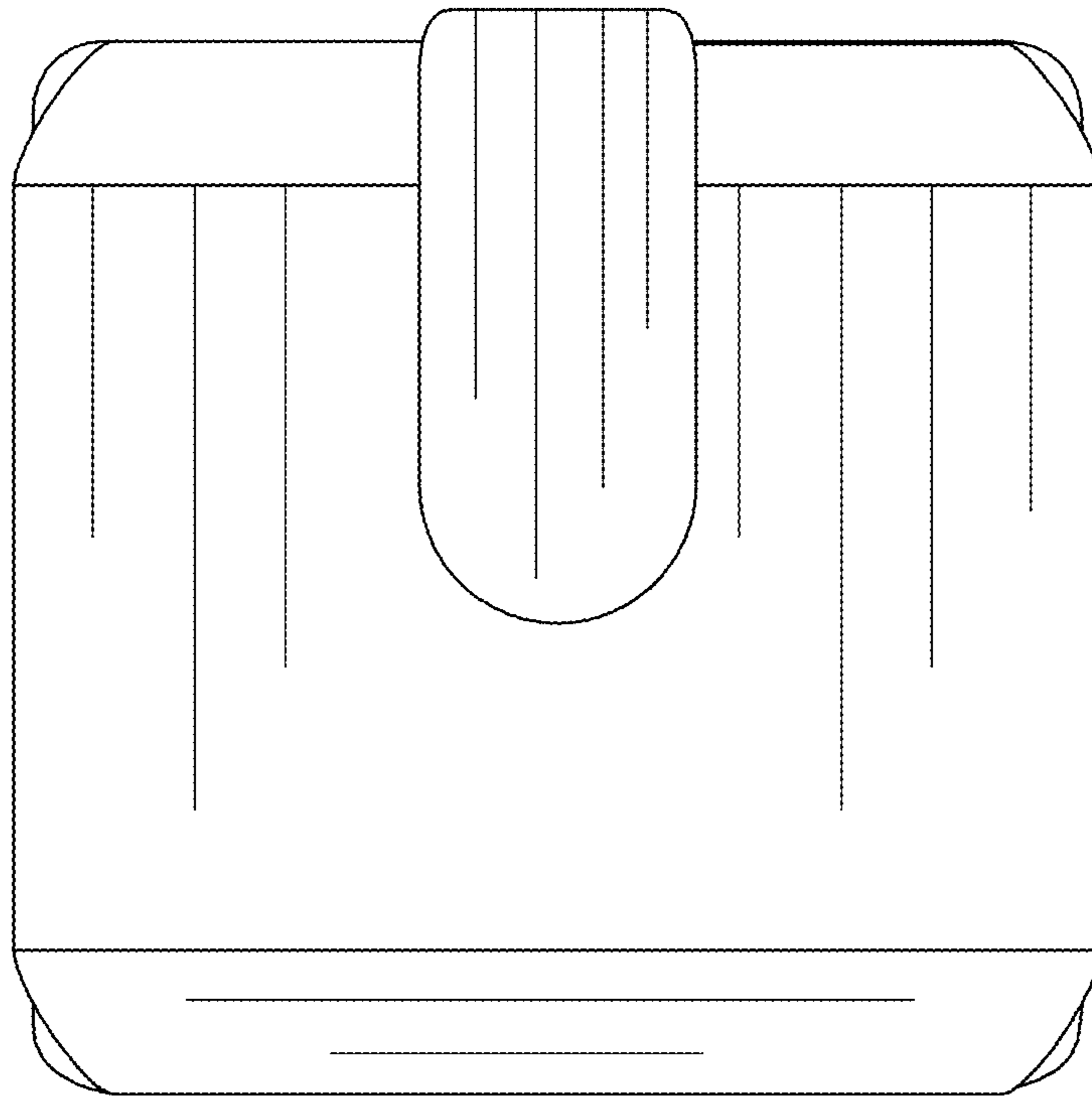


FIG. 6

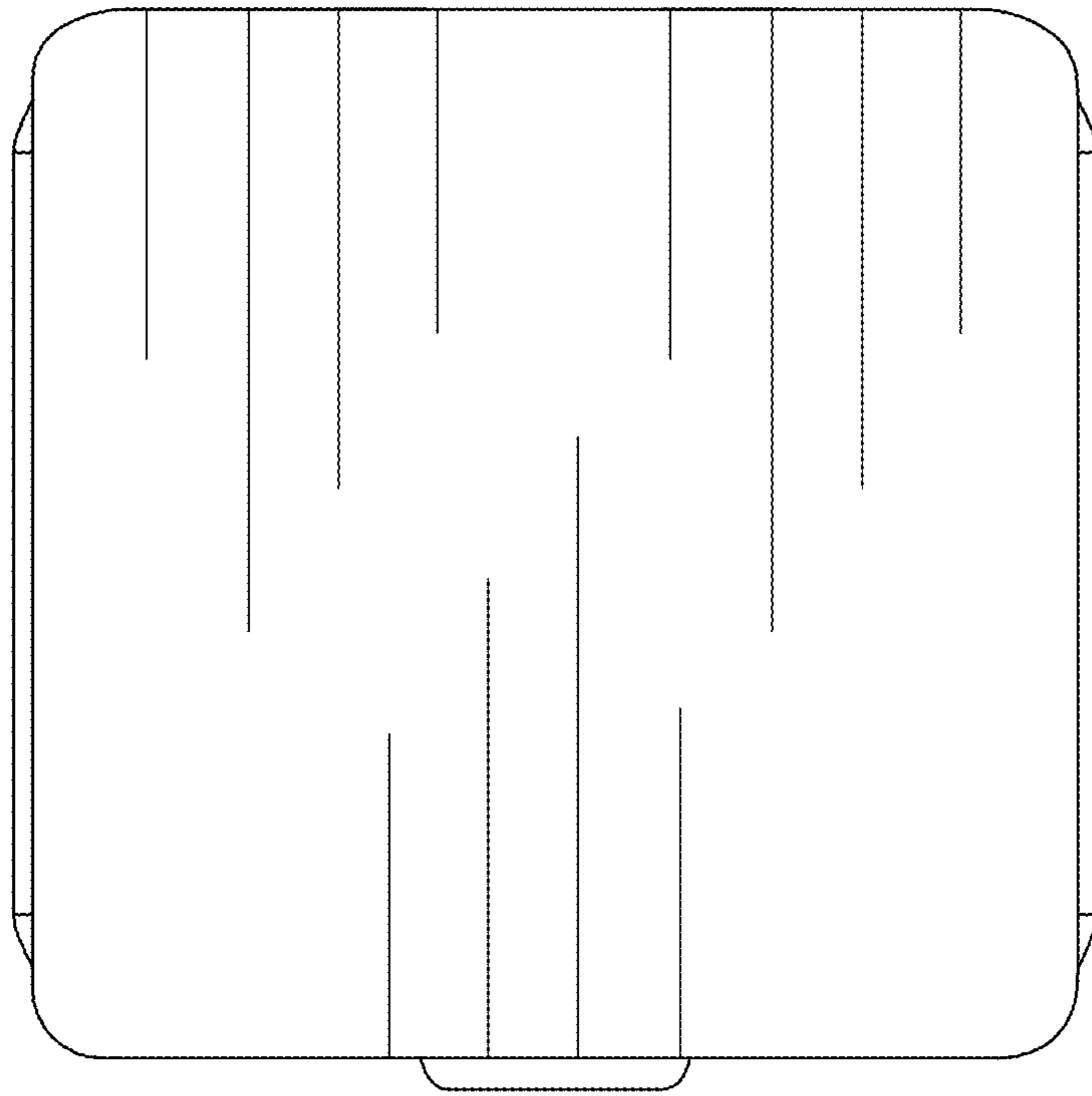


FIG. 7