



US00D756359S

(12) **United States Design Patent**
Bailey et al.

(10) **Patent No.:** **US D756,359 S**
(45) **Date of Patent:** **** May 17, 2016**

- (54) **EXPANDABLE ARMBAND DEVICE**
- (71) Applicant: **Thalmic Labs Inc.**, Kitchener (CA)
- (72) Inventors: **Matthew Bailey**, Kitchener (CA);
Stephen E. Orzel, Hamilton (CA);
Graham T. Hills, Hamilton (CA); **Kirk A. Mosna**, Ancaster (CA)
- (73) Assignee: **Thalmic Labs Inc.**, Kitchener (CA)
- (**) Term: **14 Years**
- (21) Appl. No.: **29/490,953**
- (22) Filed: **May 15, 2014**
- (51) **LOC (10) Cl.** **14-02**
- (52) **U.S. Cl.**
USPC **D14/388**; D11/3; D11/19
- (58) **Field of Classification Search**
USPC D14/388, 344, 427, 454, 460, 402, 411;
D11/3, 11, 19
CPC G06F 3/011; G06F 3/014; G06F 3/015;
G06F 3/017; G06F 1/163; A61B 5/0488
See application file for complete search history.

D717,685 S *	11/2014	Bailey	D11/3
D736,664 S *	8/2015	Paradise	D11/3
D741,855 S *	10/2015	Park	D14/344
D742,272 S *	11/2015	Bailey	D11/3
D742,874 S *	11/2015	Cheng	D14/344
D743,963 S *	11/2015	Osterhout	D14/402
D747,714 S *	1/2016	Erbeus	D10/32
D750,623 S *	3/2016	Park	D10/38
D751,065 S *	3/2016	Magi	D10/38
2005/0005637 A1	1/2005	Rapport		
2006/0037359 A1	2/2006	Stinespring		
2014/0198035 A1*	7/2014	Bailey	G06F 3/014 345/156
2014/0240103 A1*	8/2014	Lake	G08C 17/02 340/12.5
2014/0334083 A1*	11/2014	Bailey	G06F 1/163 361/679.03

(Continued)

Primary Examiner — Deanna L Pratt
(74) *Attorney, Agent, or Firm* — Seed IP Law Group PLLC

(57) **CLAIM**
The ornamental design for an expandable armband device, as shown and described.

DESCRIPTION

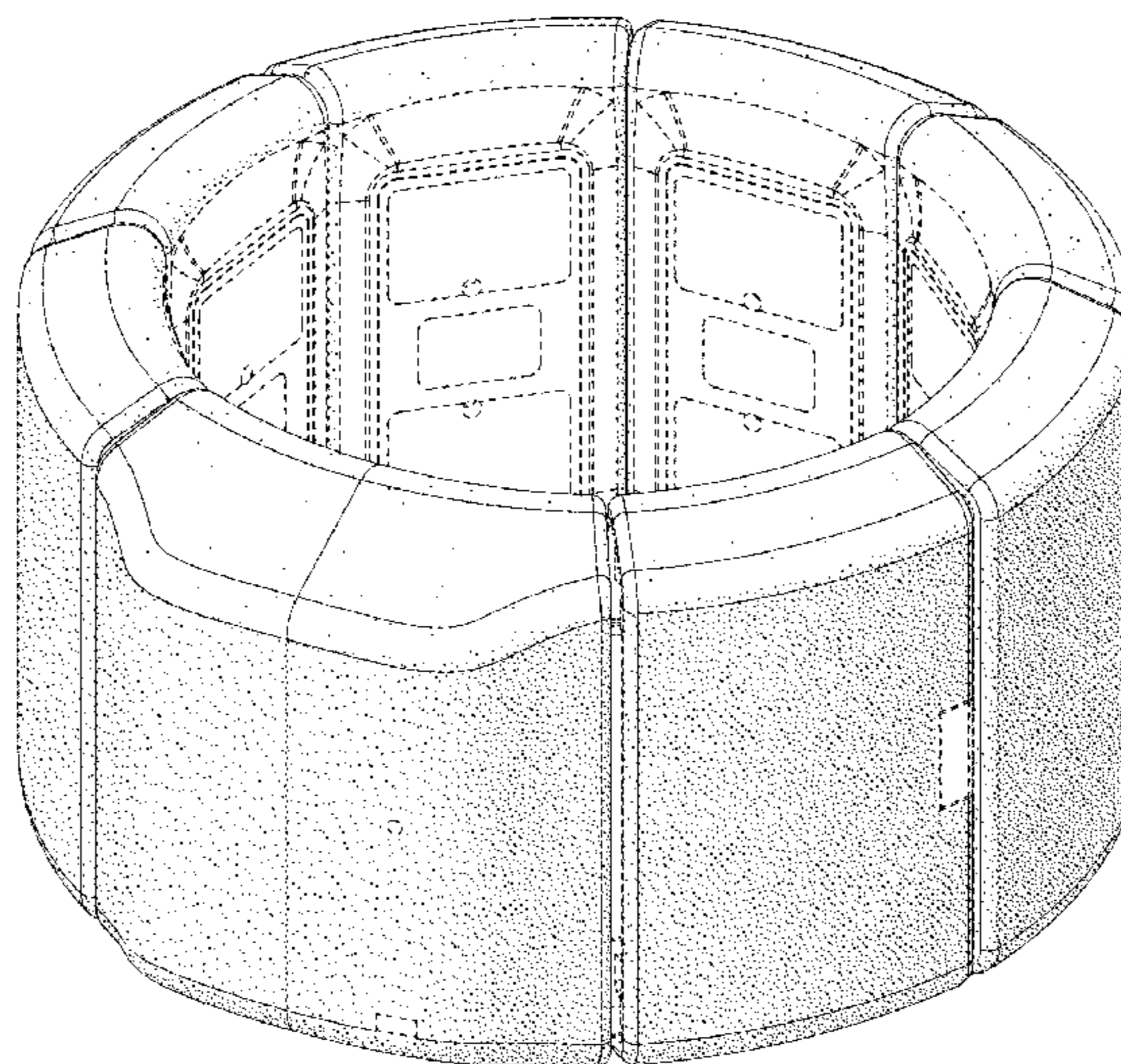
FIG. 1 is a top isometric view of an expandable armband device showing our new design in a contracted state. FIG. 2 is a bottom isometric view thereof. FIG. 3 is a top plan view thereof. FIG. 4 is a bottom plan view thereof. FIG. 5 is a front elevational view thereof. FIG. 6 is a rear elevational view thereof. FIG. 7 is a right side elevational view thereof; and, FIG. 8 is a left side elevational view thereof. Stippling and contour lines shown in the drawings are intended to represent the approximate three-dimensional contour of the design, and are not intended to indicate surface decoration. The broken lines in the figures illustrate portions of the expandable armband device that form no part of the claimed design.

1 Claim, 6 Drawing Sheets

(56) **References Cited**

U.S. PATENT DOCUMENTS

1,411,995 A	4/1922	Dull	
5,081,852 A	1/1992	Cox	
5,251,189 A	10/1993	Thorp	
D348,660 S *	7/1994	Parsons D14/388
D459,352 S *	6/2002	Giovanniello D14/344
D503,646 S	4/2005	Rapport	
6,880,364 B1	4/2005	Vidolin et al.	
D543,212 S *	5/2007	Marks D14/388
D643,428 S *	8/2011	Janky D14/240
D646,192 S	10/2011	Woode	
D654,622 S	2/2012	Hsu	
D661,613 S	6/2012	Demeglio	
D682,727 S	5/2013	Bulgari	
D689,862 S *	9/2013	Liu D14/402
D695,454 S	12/2013	Moore	



(56)

References Cited

U.S. PATENT DOCUMENTS

2015/0025355	A1*	1/2015	Bailey	A61B 5/681 600/390	2015/0084860	A1*	3/2015	Aleem	G06F 3/017 345/156
2015/0051470	A1*	2/2015	Bailey	A61B 5/681 600/384	2015/0109202	A1*	4/2015	Ataee	G06F 3/017 345/156
2015/0057770	A1*	2/2015	Bailey	A61B 5/6829 700/83	2015/0124566	A1*	5/2015	Lake	G04G 21/08 368/10
2015/0070270	A1*	3/2015	Bailey	A61B 5/0488 345/156	2015/0169074	A1*	6/2015	Ataee	G06F 3/017 345/156
					2015/0234426	A1*	8/2015	Bailey	G06F 1/163 361/679.03

* cited by examiner

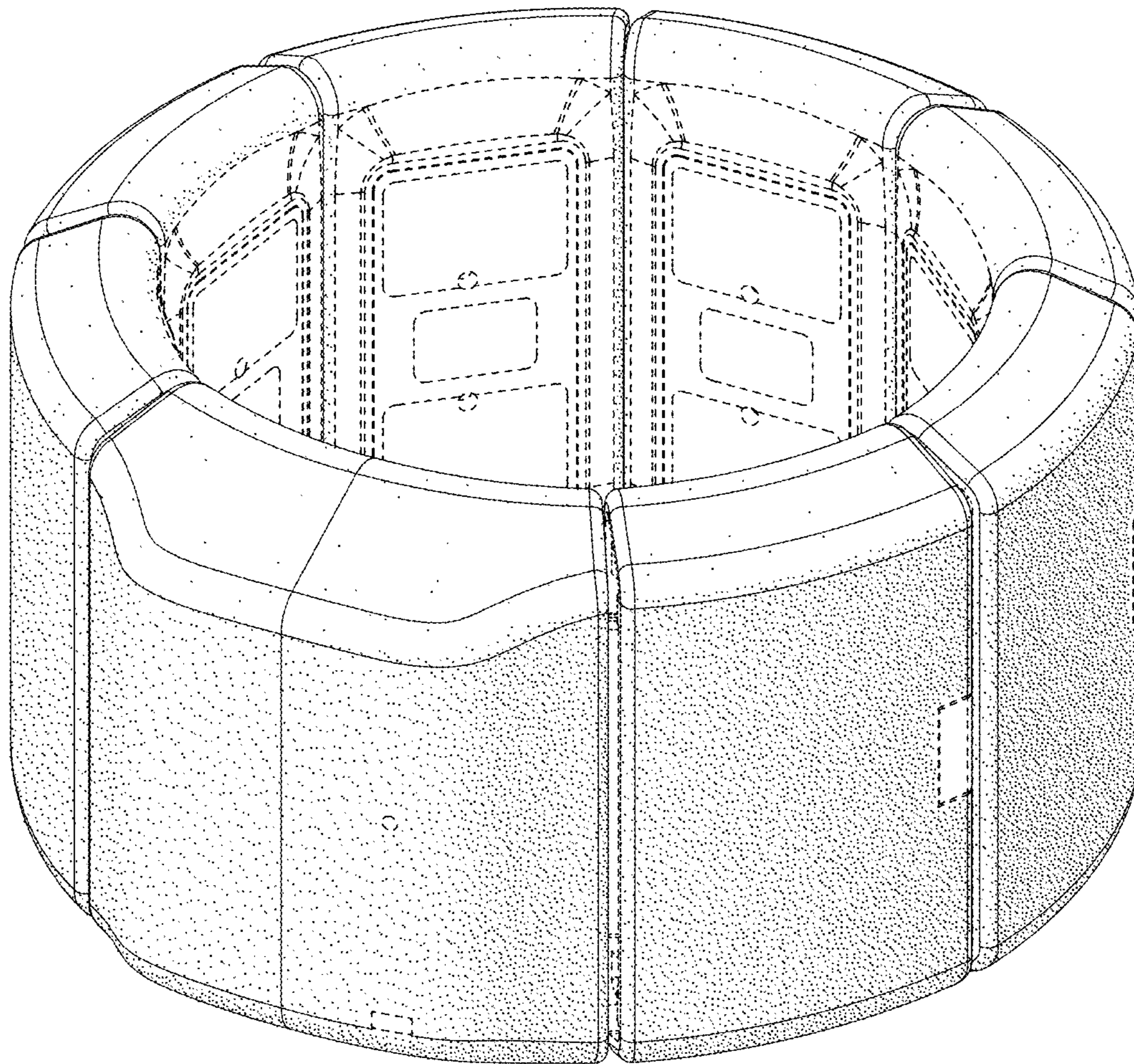


FIG. 1

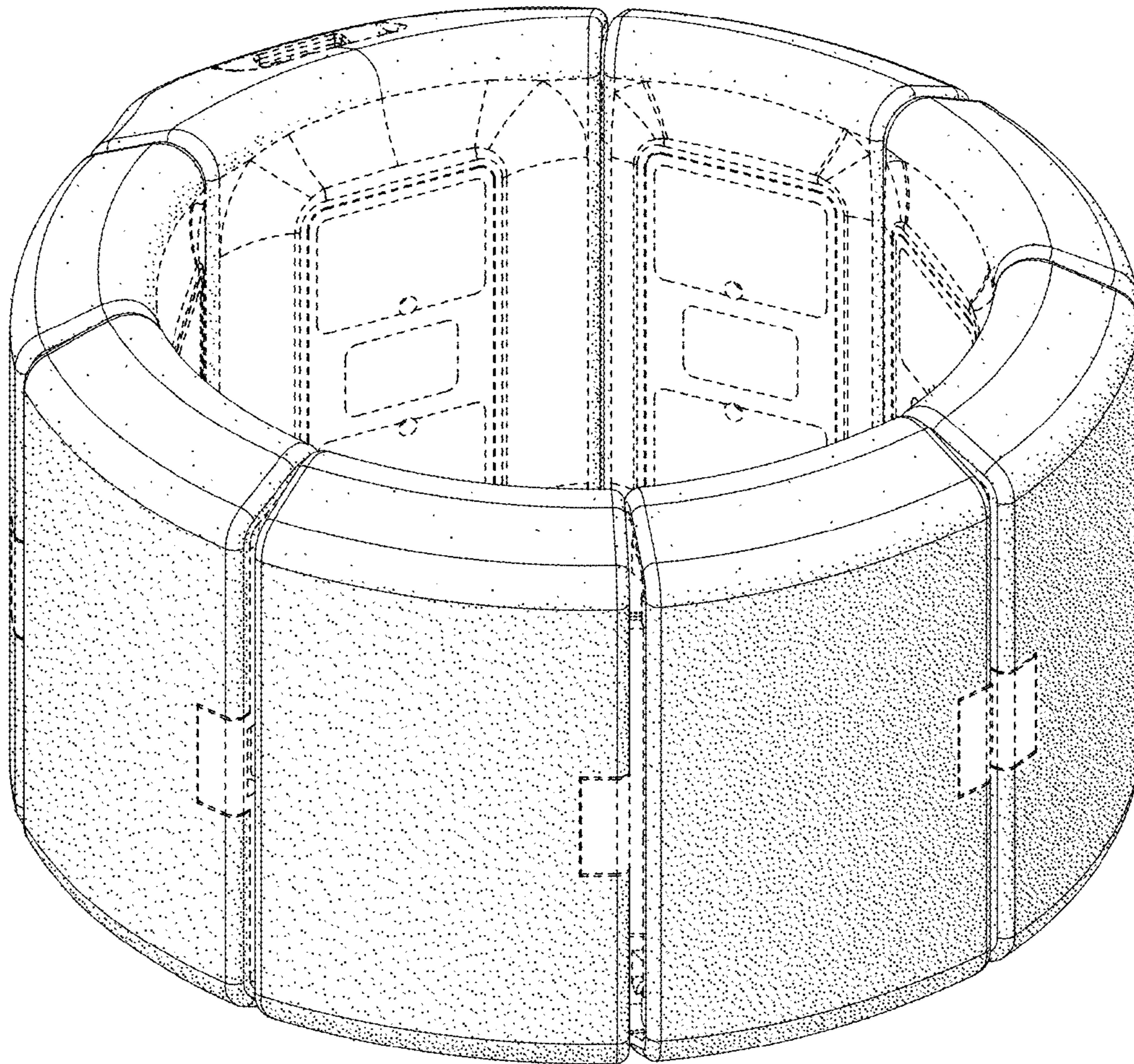


FIG. 2

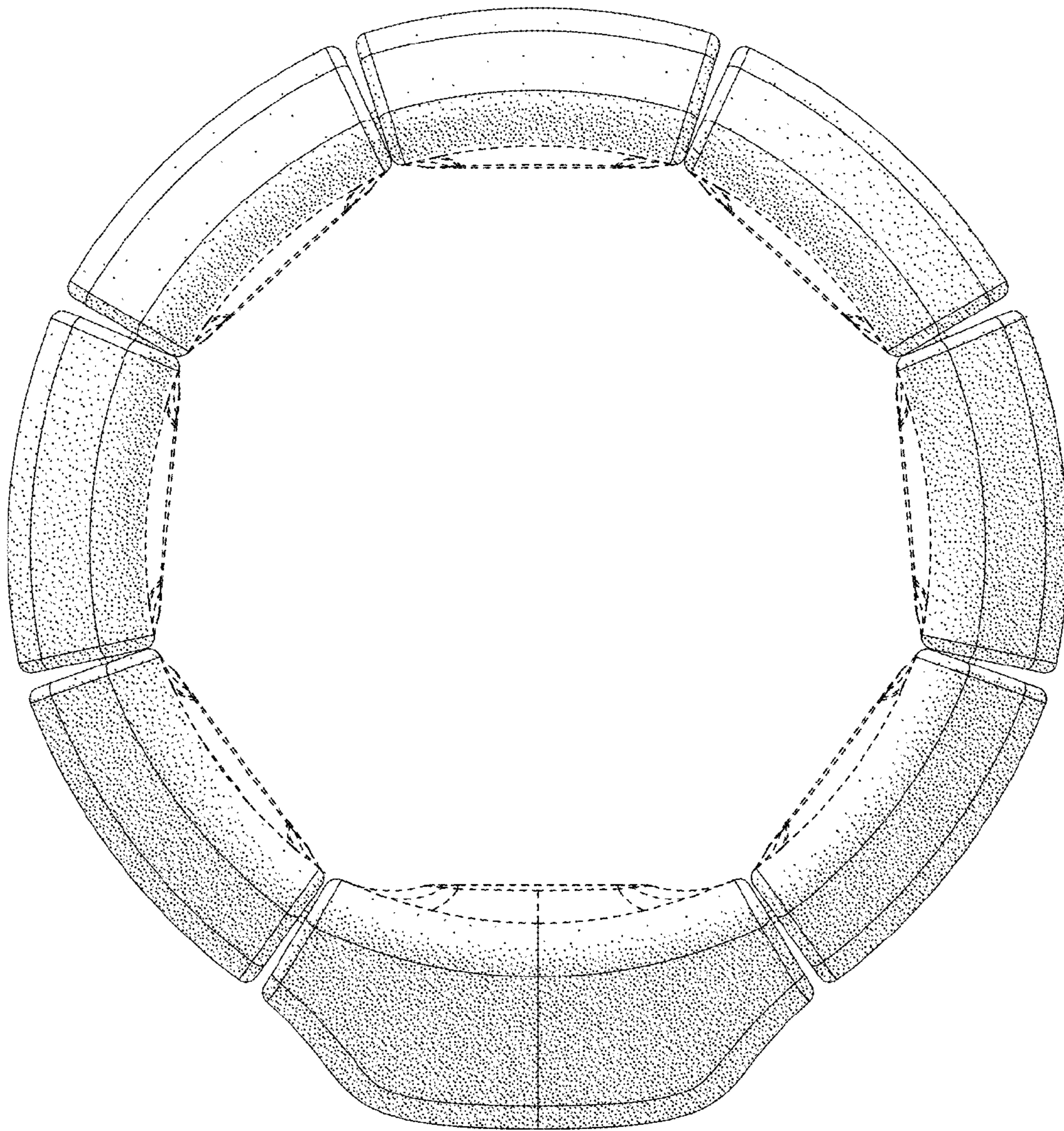


FIG. 3

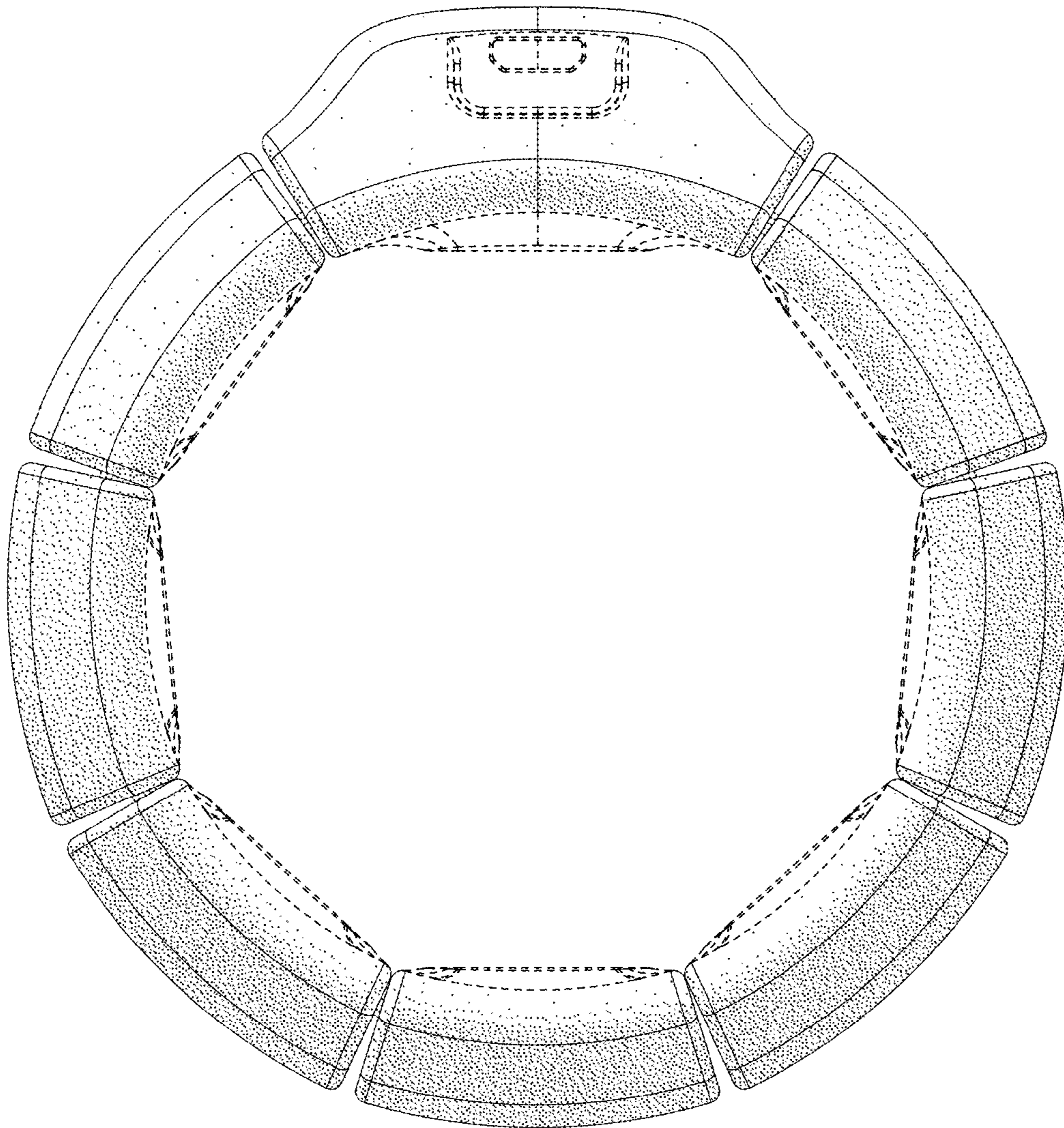


FIG. 4

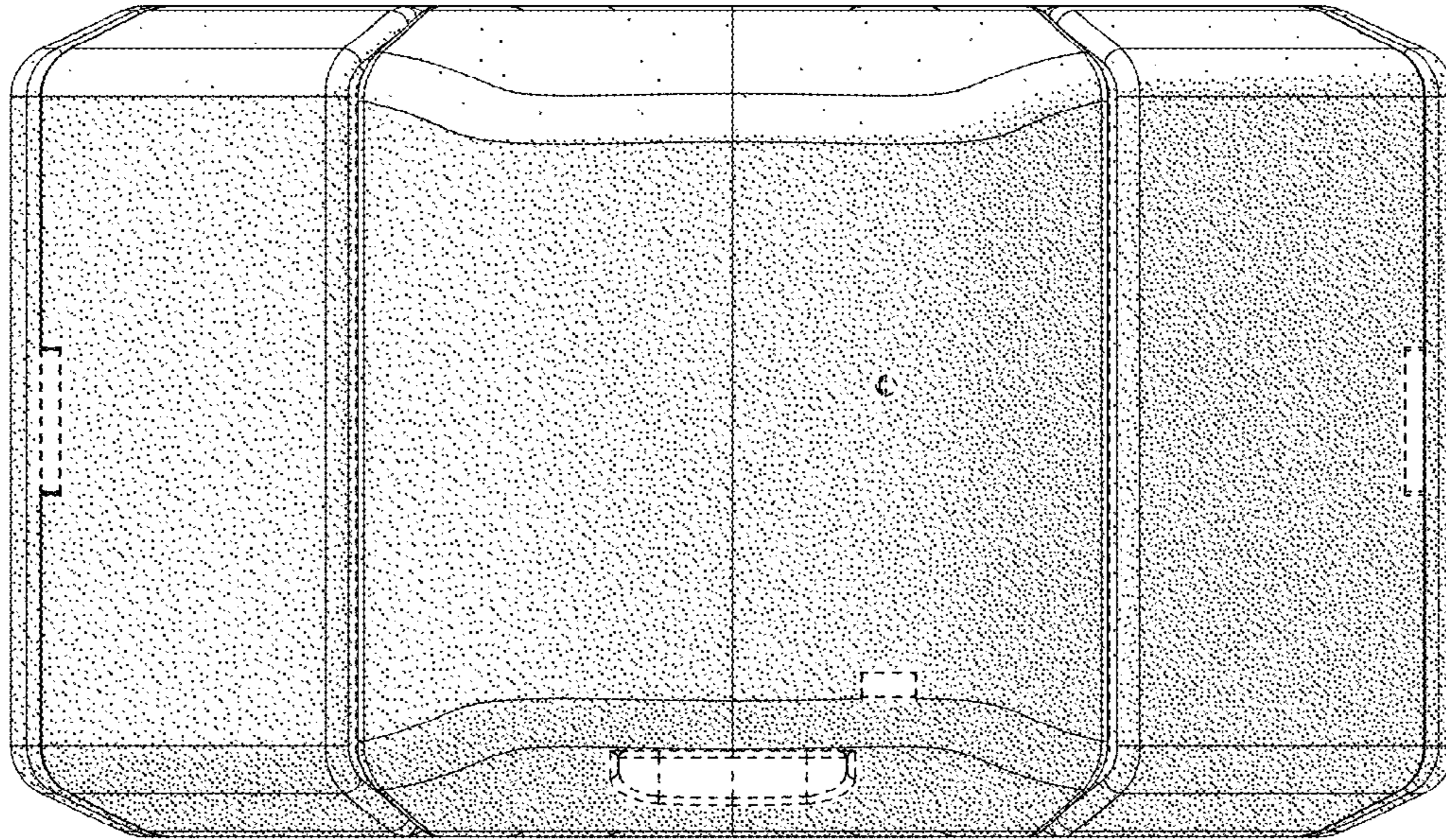


FIG. 5

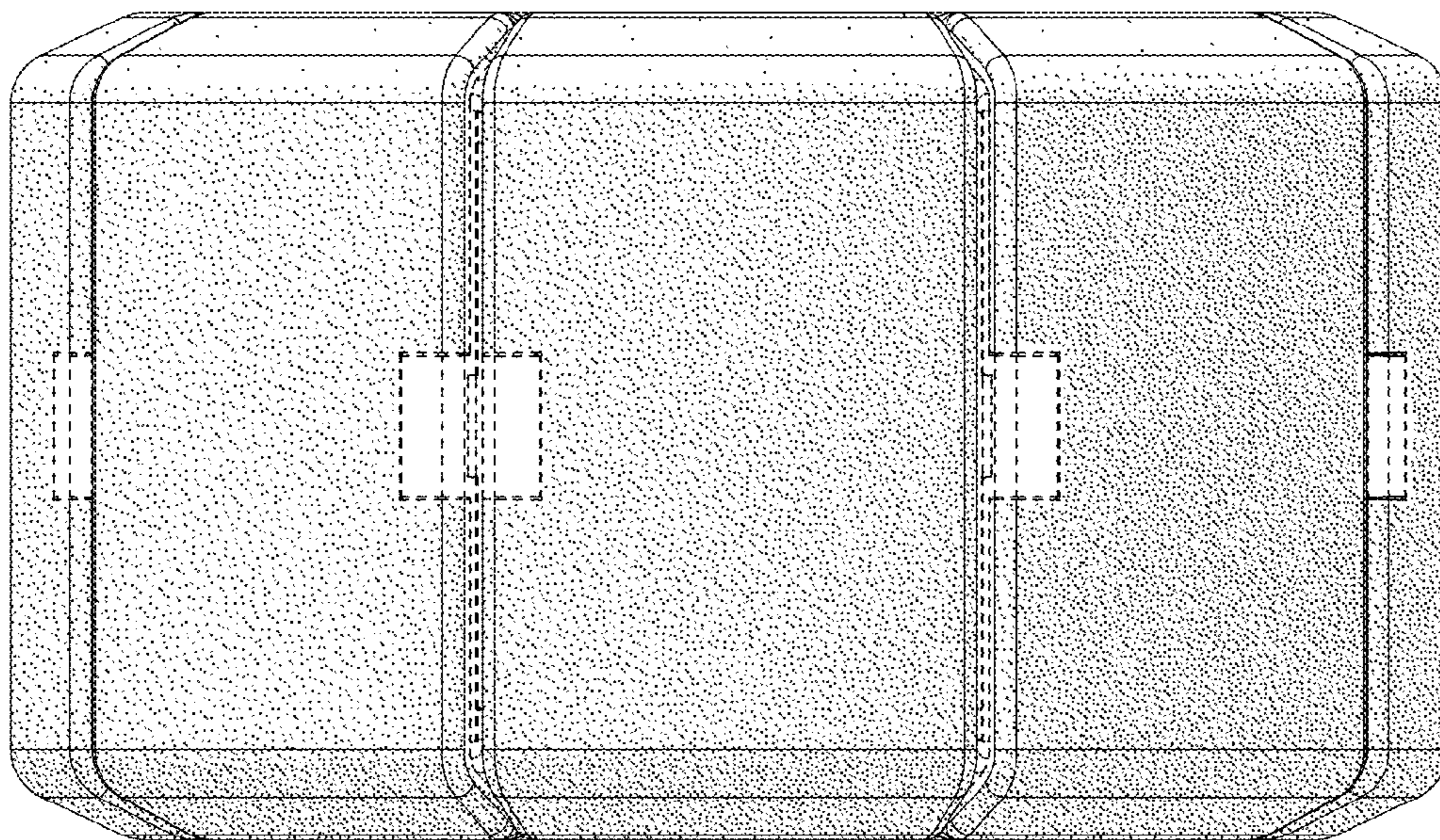


FIG. 6

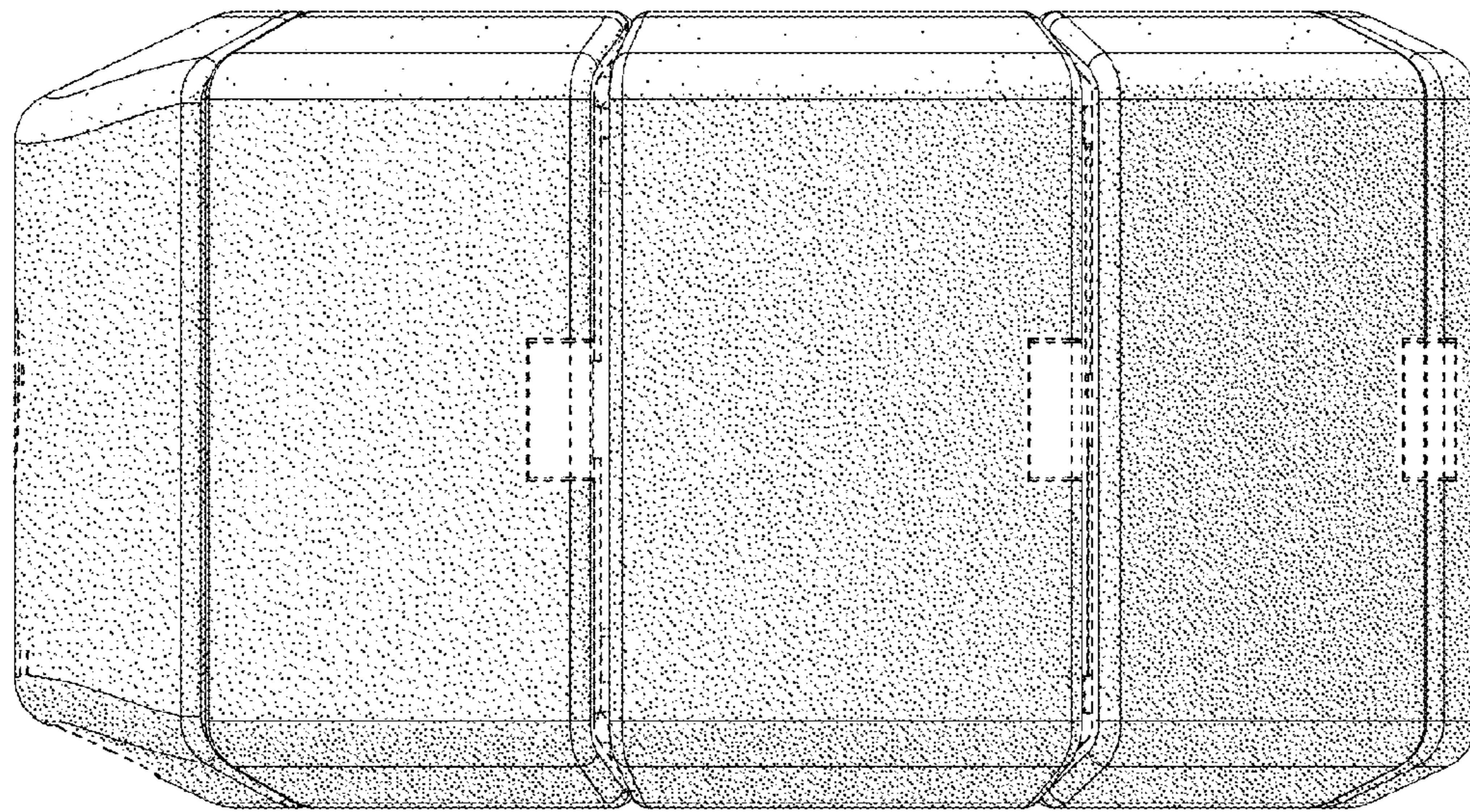


FIG. 7

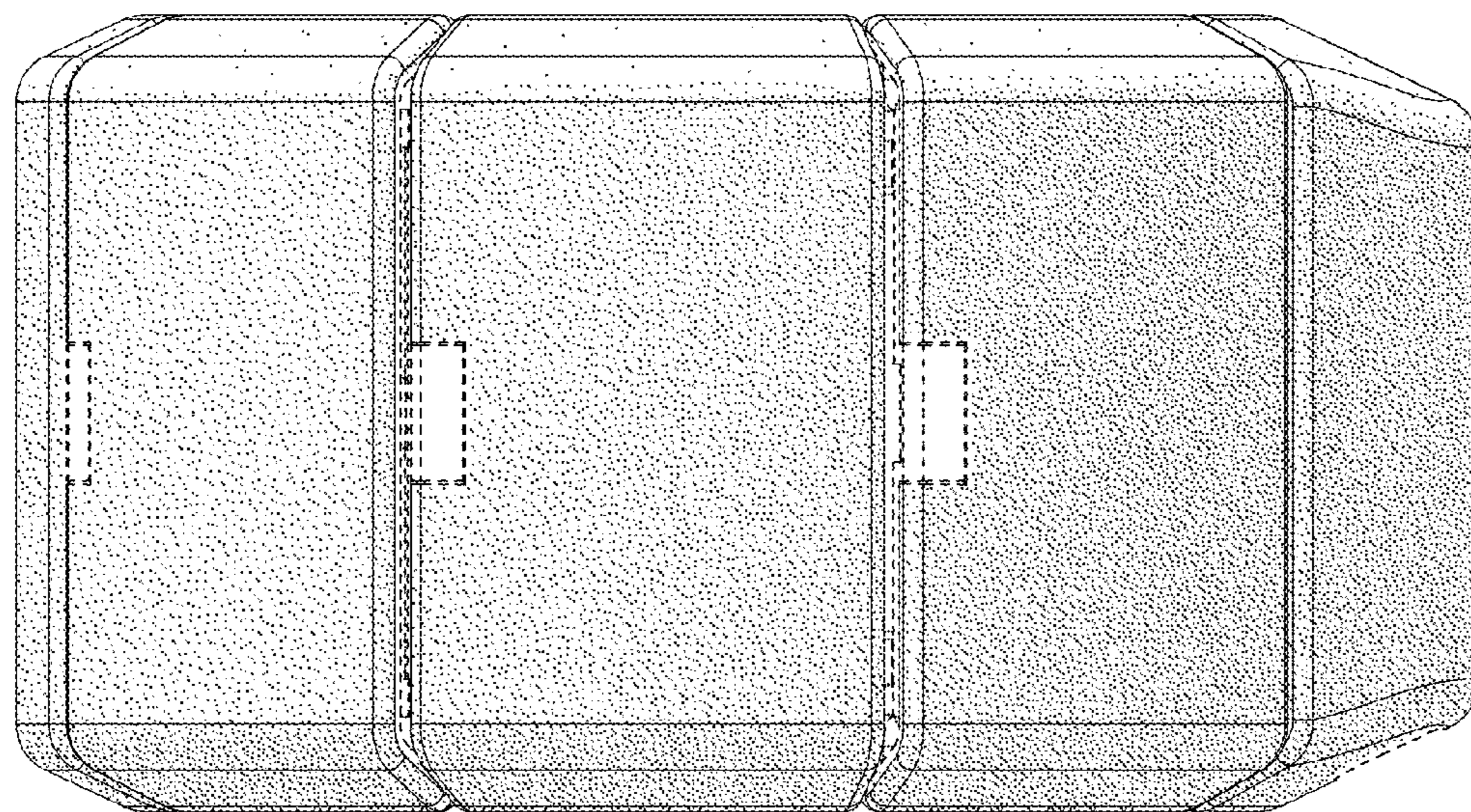


FIG. 8