

US00D756358S

(12) **United States Design Patent**  
**Jagoe et al.**

(10) **Patent No.:** **US D756,358 S**  
(45) **Date of Patent:** **\*\* May 17, 2016**

- (54) **MEDIA DISPLAY DEVICE**
- (71) Applicant: **Fireside, Inc.**, Palo Alto, CA (US)
- (72) Inventors: **Andrew Jagoe**, Palo Alto, CA (US);  
**Donald Lehman**, New York, NY (US)
- (73) Assignee: **FIRESIDE, INC.**, Palo Alto, CA (US)
- (\*\*) Term: **14 Years**
- (21) Appl. No.: **29/507,416**
- (22) Filed: **Oct. 27, 2014**
- (51) **LOC (10) Cl.** ..... **14-02**
- (52) **U.S. Cl.**  
USPC ..... **D14/375**
- (58) **Field of Classification Search**  
USPC ..... D14/371–375, 125–129, 336, 337, 341;  
341/12; 345/104, 156, 168, 173;  
348/180, 184, 325, 739; 349/1, 2, 11,  
349/62; 361/679.05–679.07, 679.21;  
D6/300, 308  
CPC ..... G06F 1/16; G06F 1/1601; G06F 3/037;  
G06F 1/162; F16M 11/10  
See application file for complete search history.

(56) **References Cited**

**U.S. PATENT DOCUMENTS**

D448,031	S	*	9/2001	Goetz	.....	D14/374
D484,131	S	*	12/2003	Olson	.....	D14/375
D502,179	S	*	2/2005	Cha	.....	D14/375
D521,511	S	*	5/2006	Kim	.....	D14/375
D538,800	S	*	3/2007	Zhang	.....	D14/331
D603,862	S	*	11/2009	Skinner	.....	D14/337
D606,071	S	*	12/2009	Wu	.....	D14/336
D620,933	S	*	8/2010	Ludlum	.....	D14/371
D695,735	S	*	12/2013	Kitchen	.....	D14/341
2005/0126061	A1	*	6/2005	Lin	.....	H04N 1/00347 40/735

**OTHER PUBLICATIONS**

Pix-Star PXT515WRO4 “Pix-Star\_The Wi-Fi—3G—Bluetooth digital picture frame with its own email address”, image available at <https://www.pix-star.com/> (last accessed Jan. 19, 2016).

\* cited by examiner

*Primary Examiner* — Freda S Nunn  
(74) *Attorney, Agent, or Firm* — VLP Law Group LLP;  
Richard G. A. Bone

(57) **CLAIM**

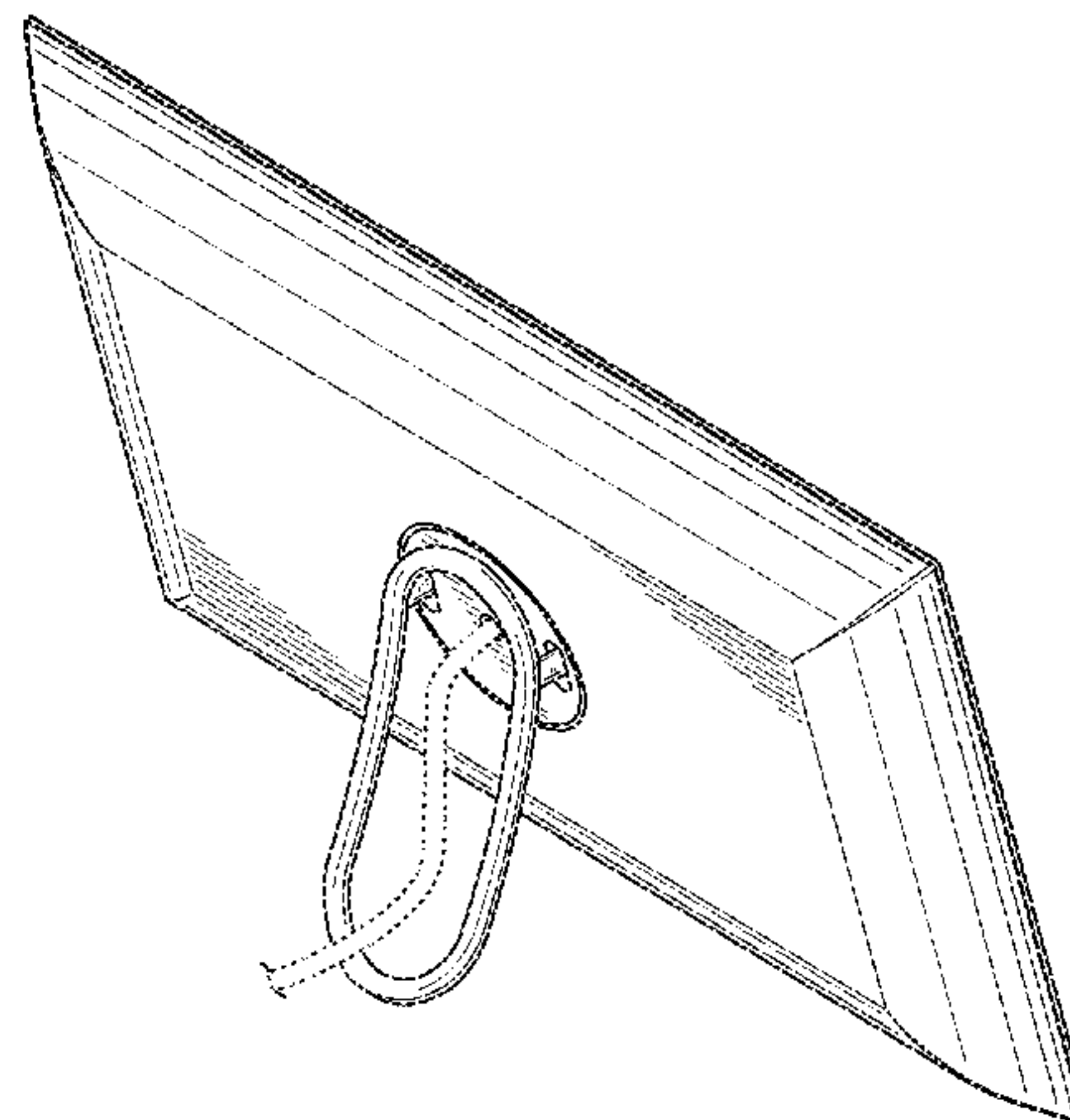
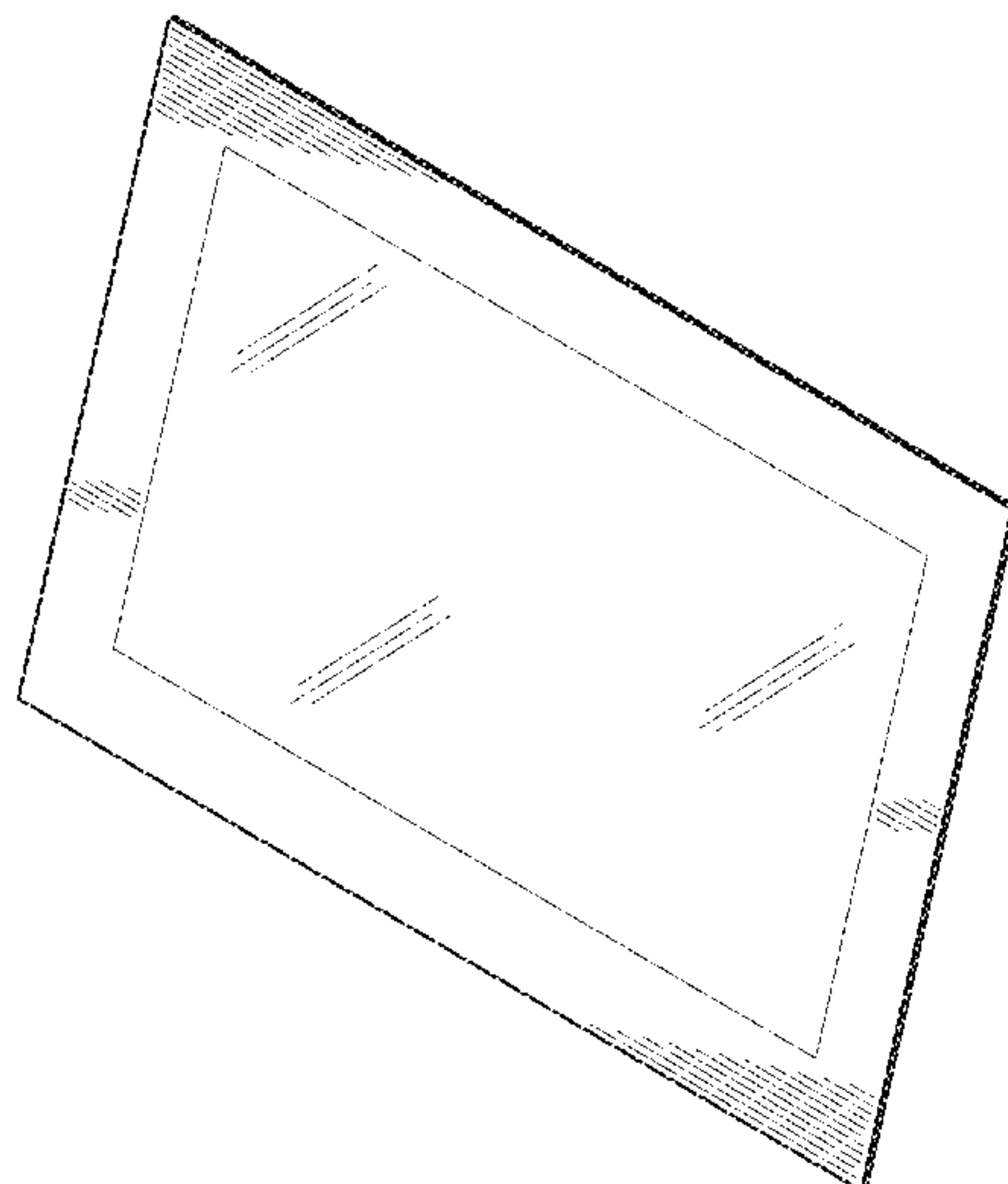
The ornamental design for a media display device, as shown and described.

**DESCRIPTION**

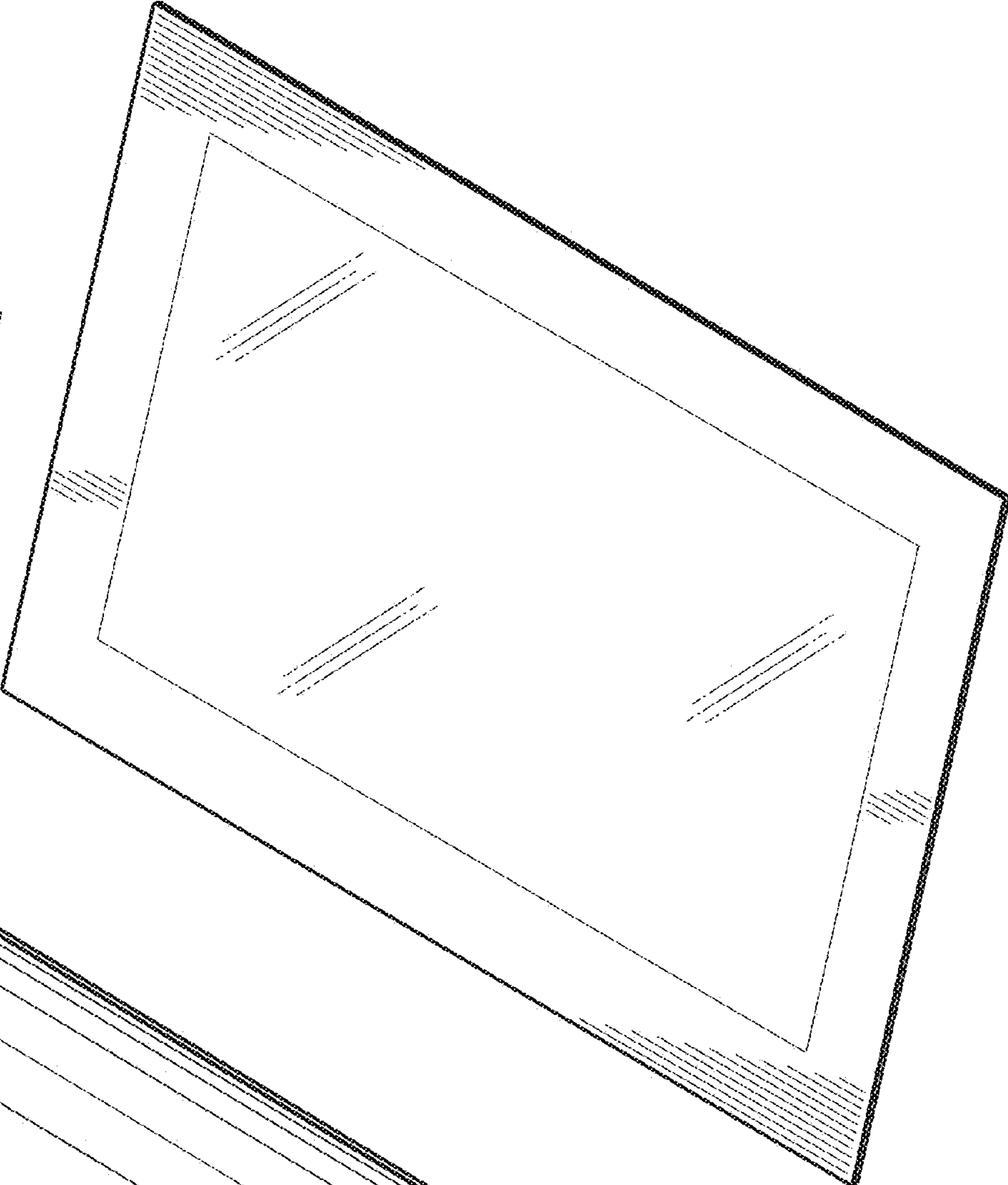
FIG. 1 is a front perspective view of a media display device showing a first embodiment of the new design; FIG. 2 is a rear perspective view thereof; FIG. 3 is a front elevational view thereof; FIG. 4 is a side elevational view thereof; FIG. 5 is a rear elevational view thereof; FIG. 6 is an opposite side view thereof; FIG. 7 is a top plan view thereof; FIG. 8 is a bottom plan view thereof; FIG. 9 is a front perspective view showing a second embodiment thereof, the only difference being the position of the stand located at the rear of the device. In the first embodiment the stand can be used on a horizontal surface, whereas in the second embodiment, the stand serves as a mount to position the device on a vertical surface such as a wall. FIG. 10 is a rear perspective view thereof; FIG. 11 is a front view thereof; FIG. 12 is a side elevational view thereof; FIG. 13 is a rear elevational view thereof; FIG. 14 is an opposite side elevational view thereof; FIG. 15 is a top plan view thereof; and, FIG. 16 is a bottom plan view thereof.

The power cord shown in broken lines in FIGS. 2, 4-8, 10 and 12-16 is shown for illustration only and forms no part of the claimed design.

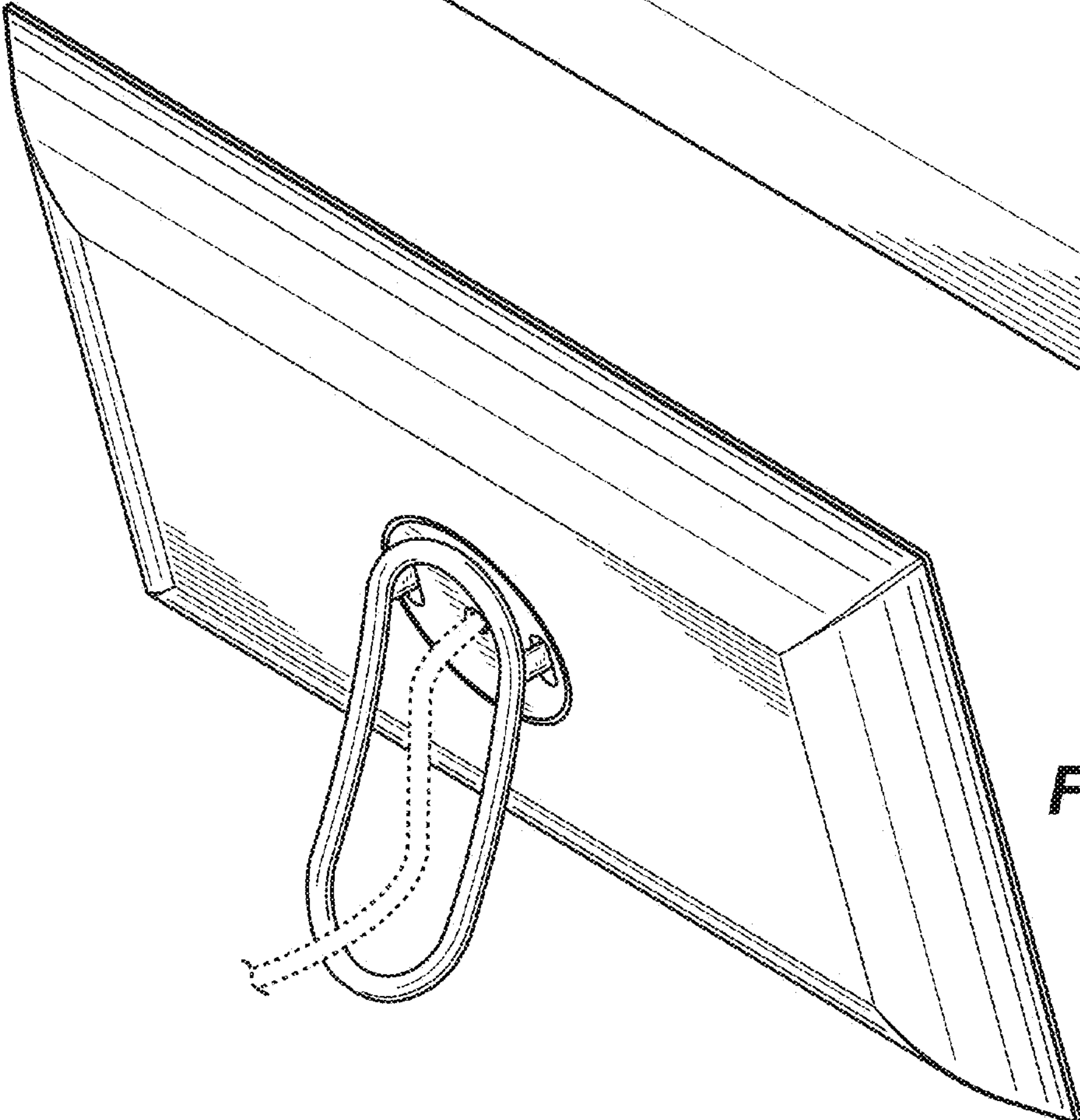
**1 Claim, 6 Drawing Sheets**



**FIG. 1**



**FIG. 2**



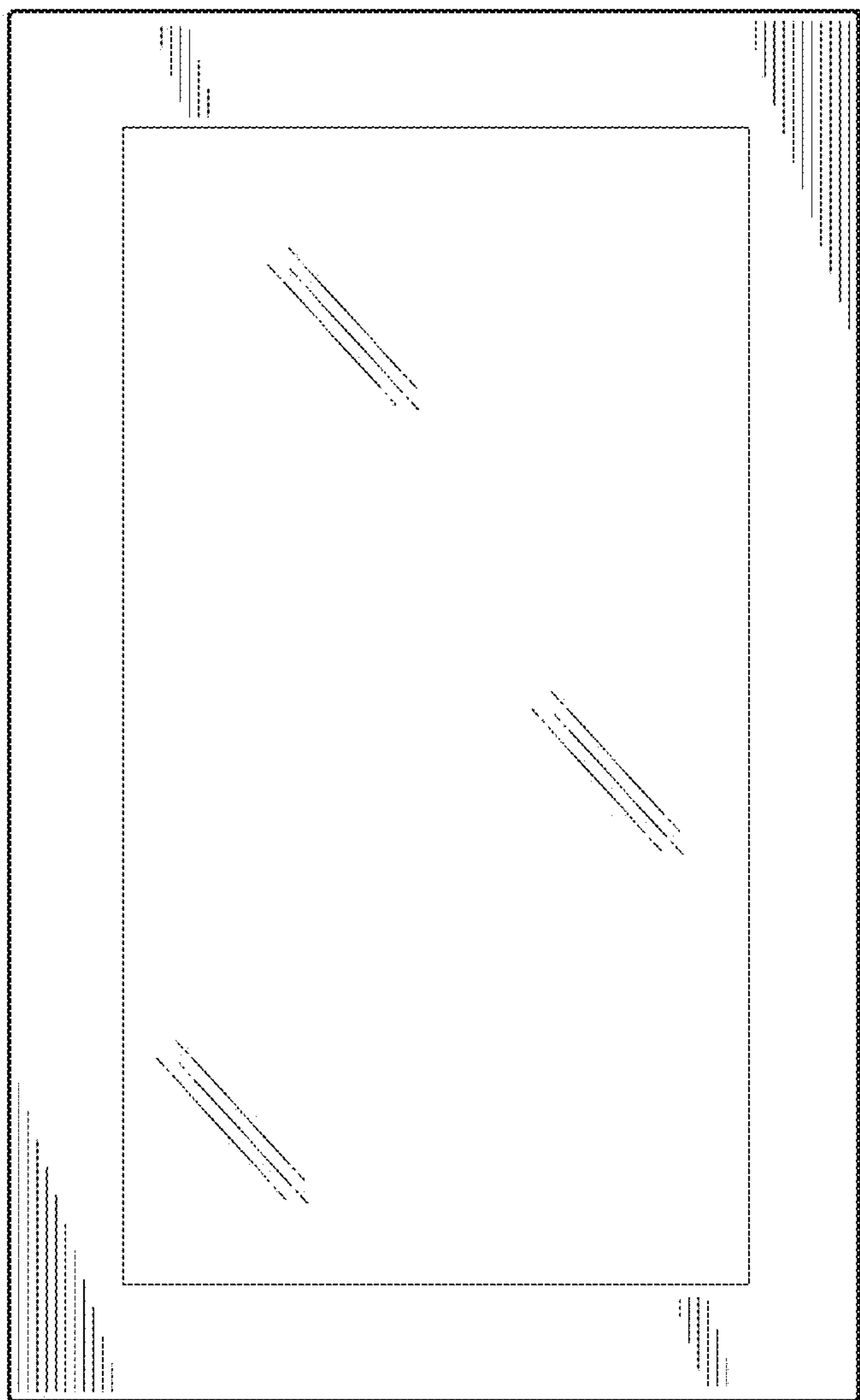


FIG. 3

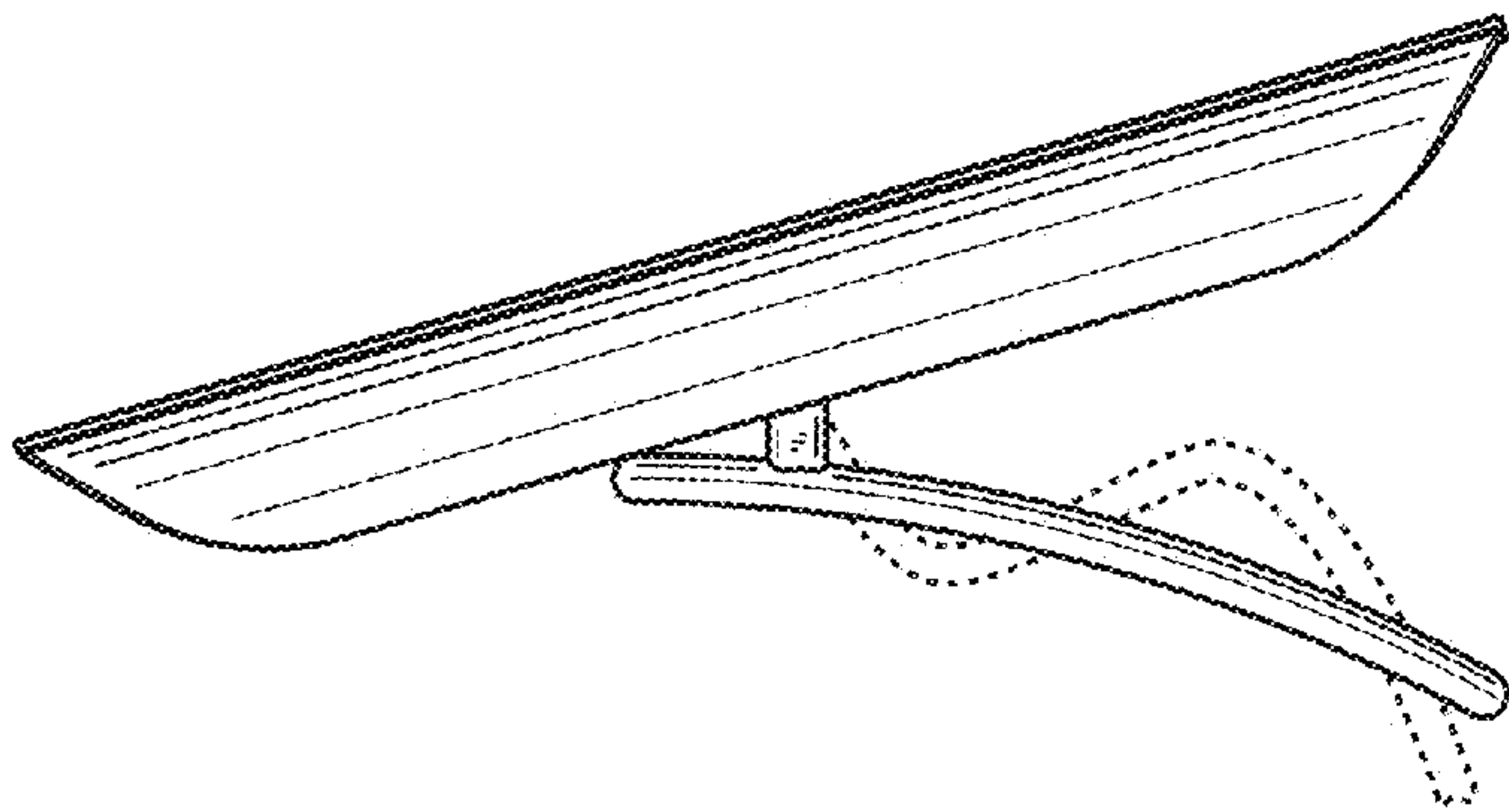


FIG. 4

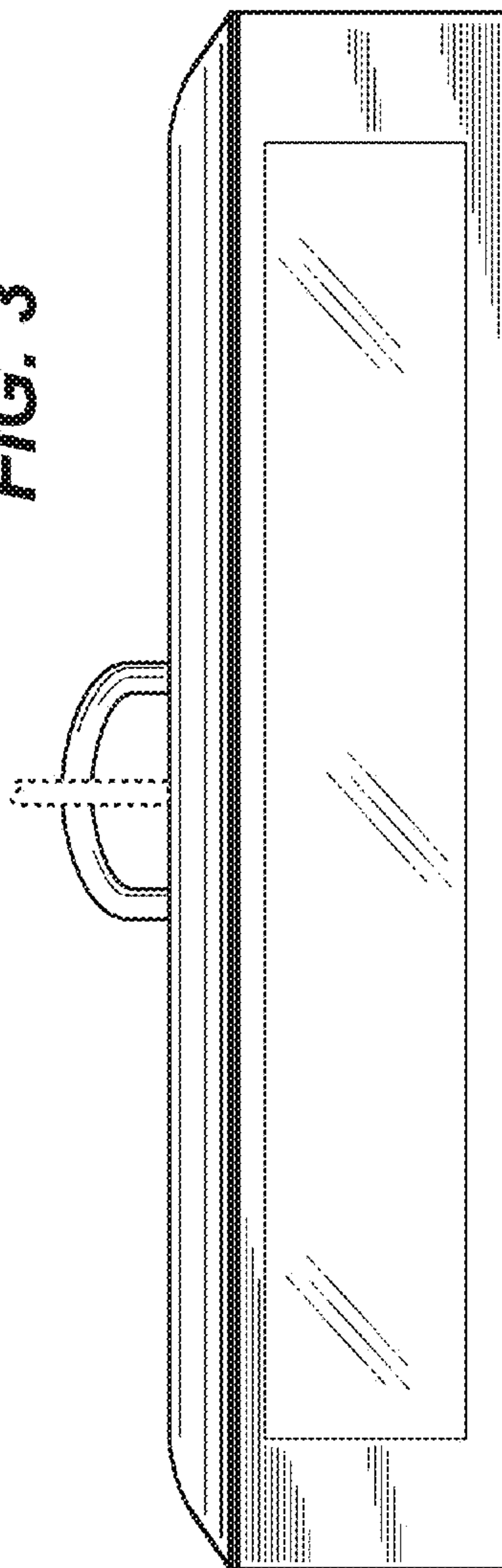


FIG. 7



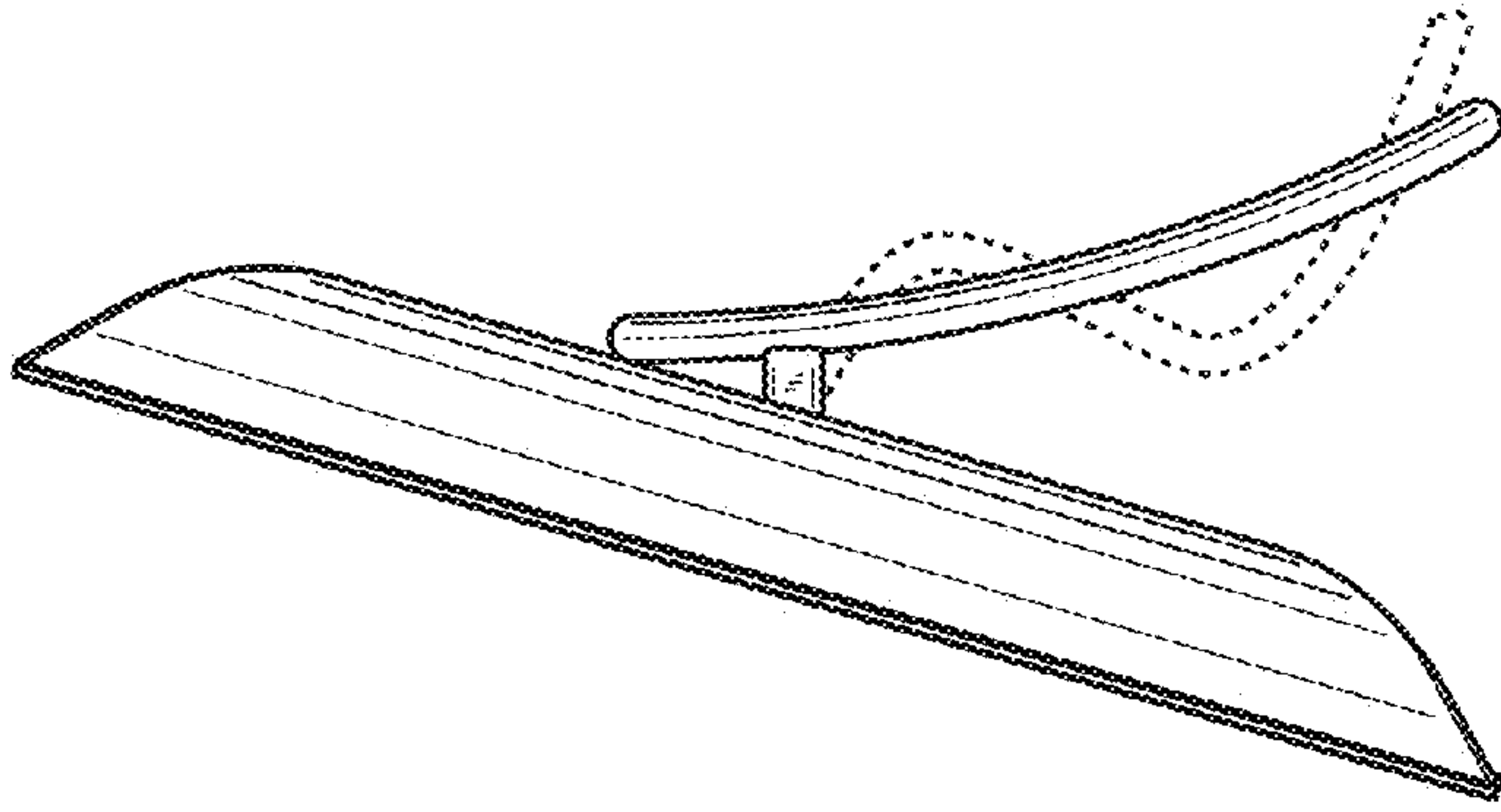


FIG. 6

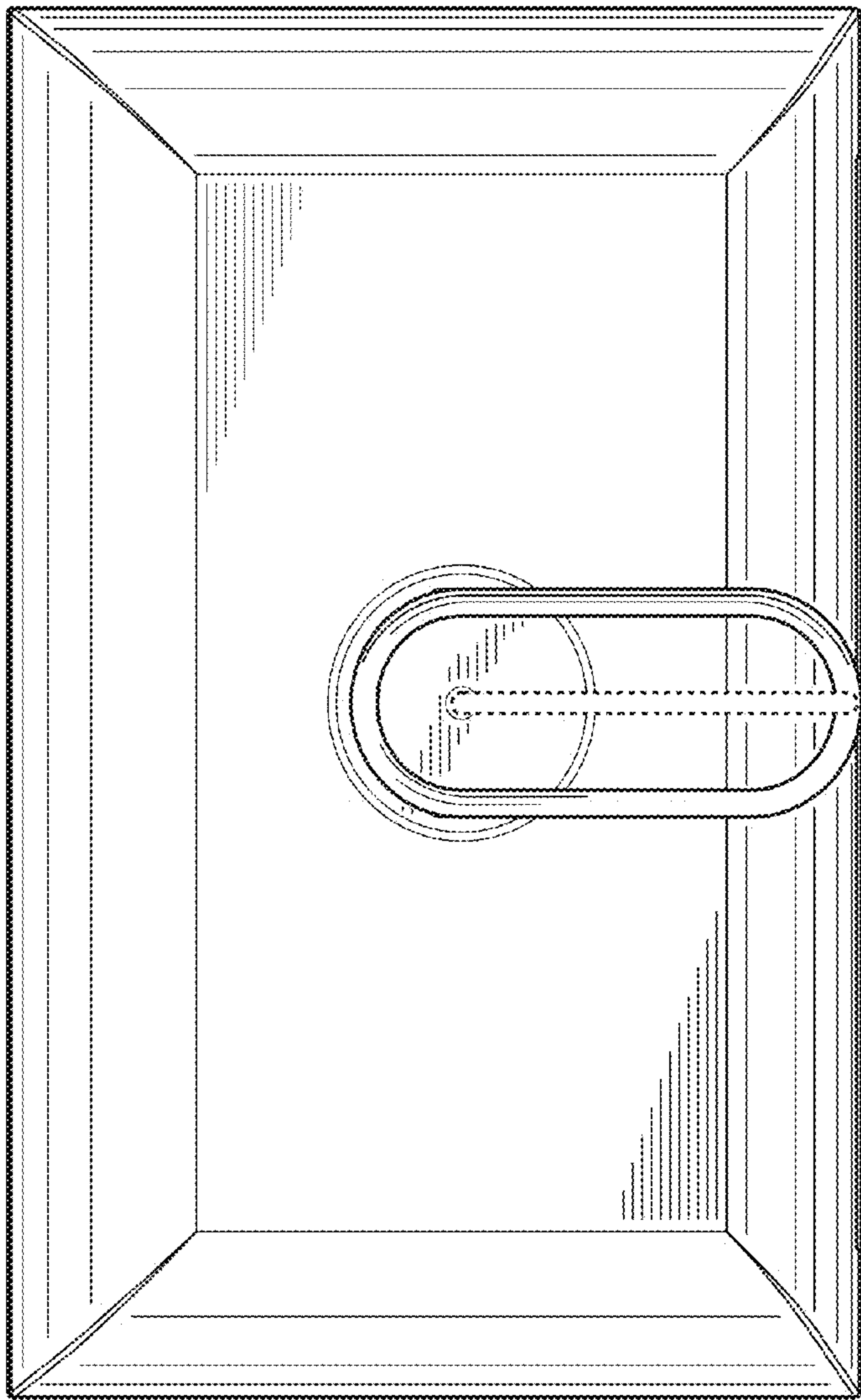


FIG. 5

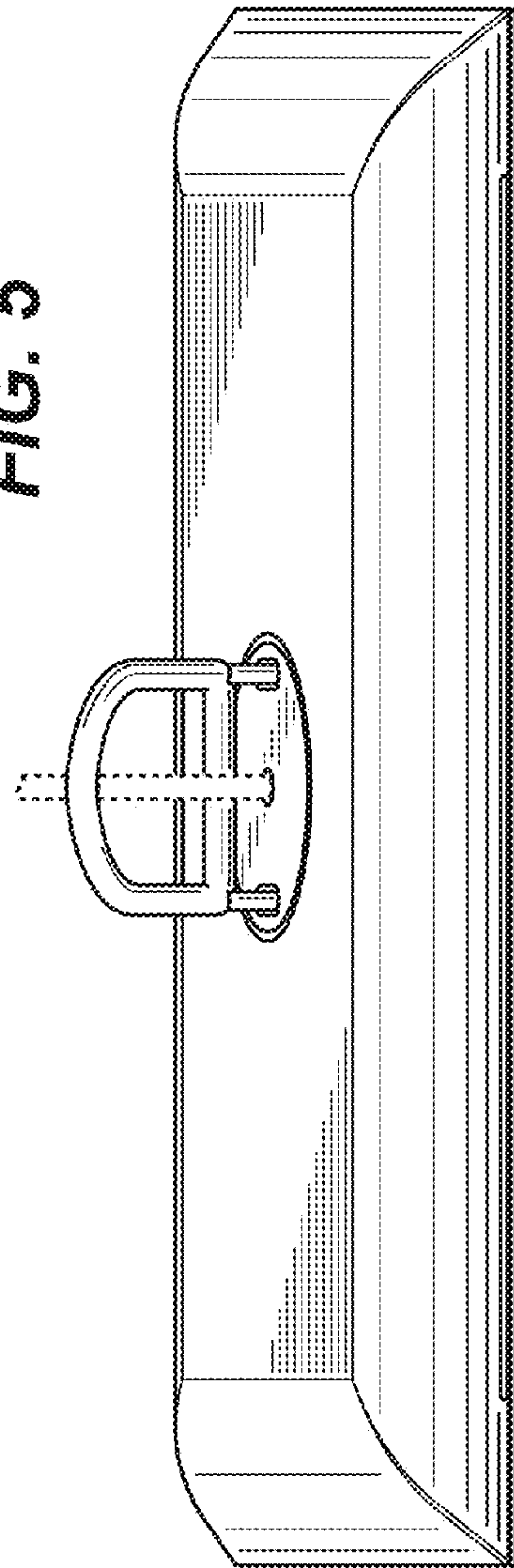
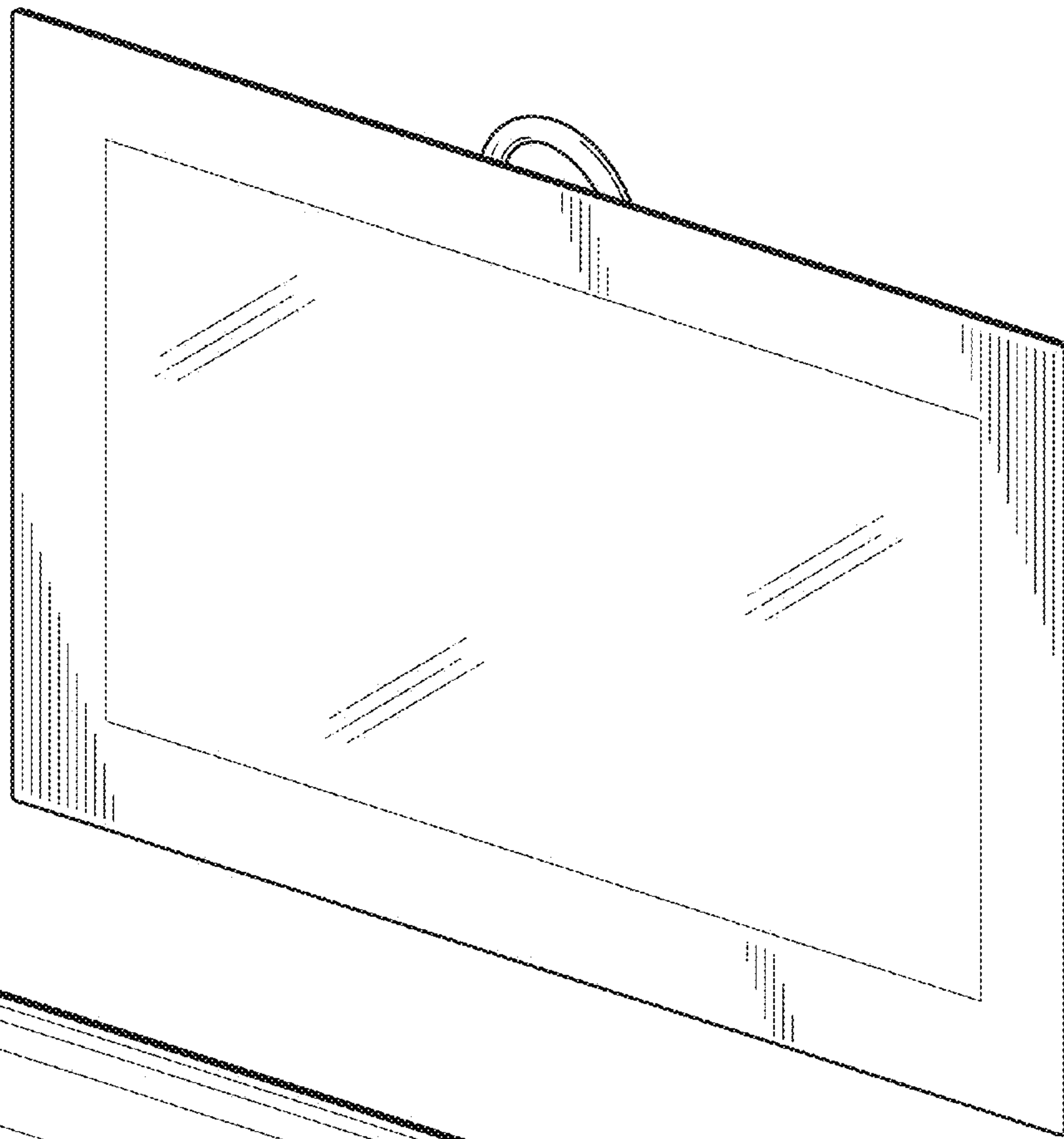
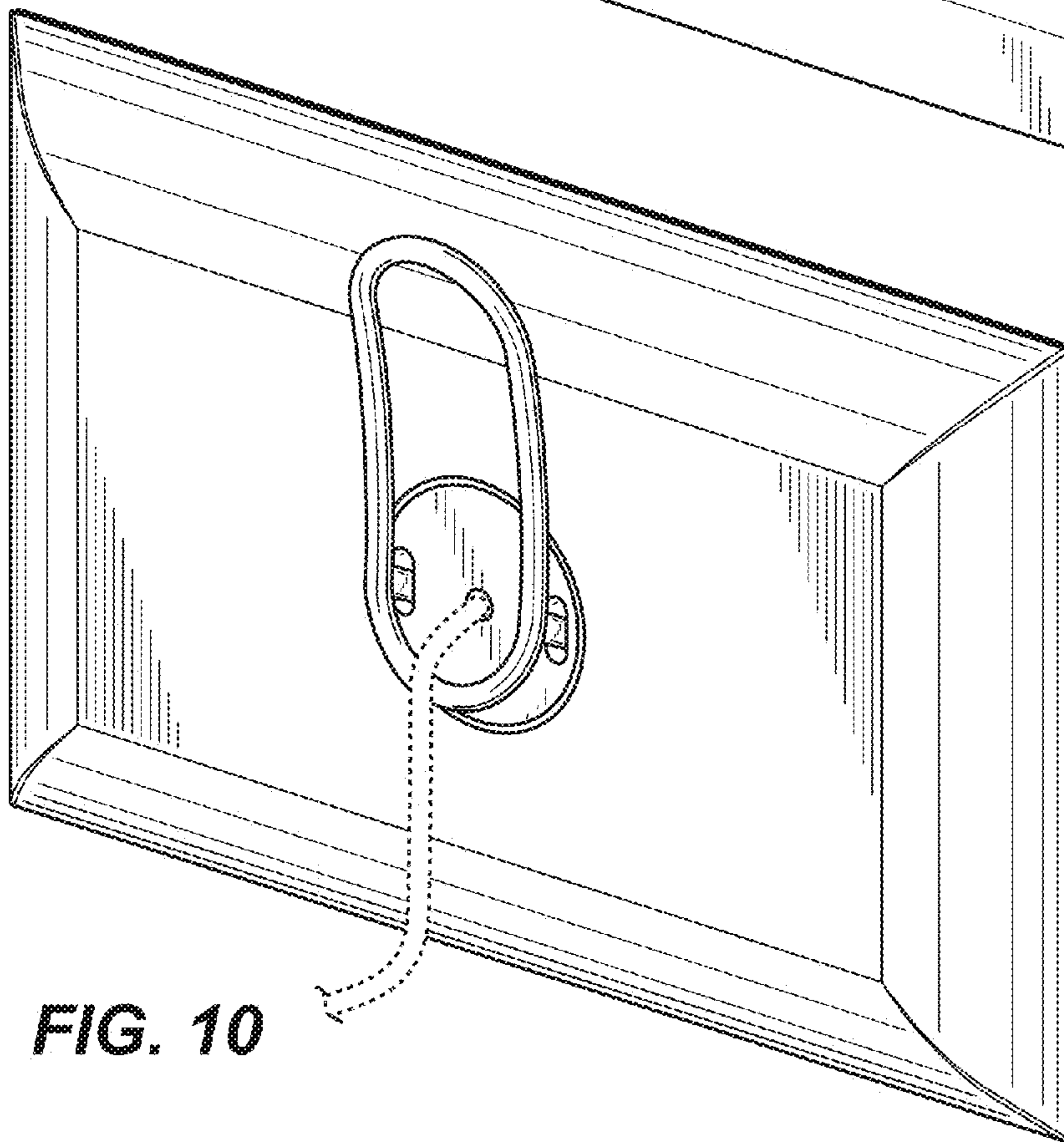


FIG. 8

**FIG. 9**



**FIG. 10**



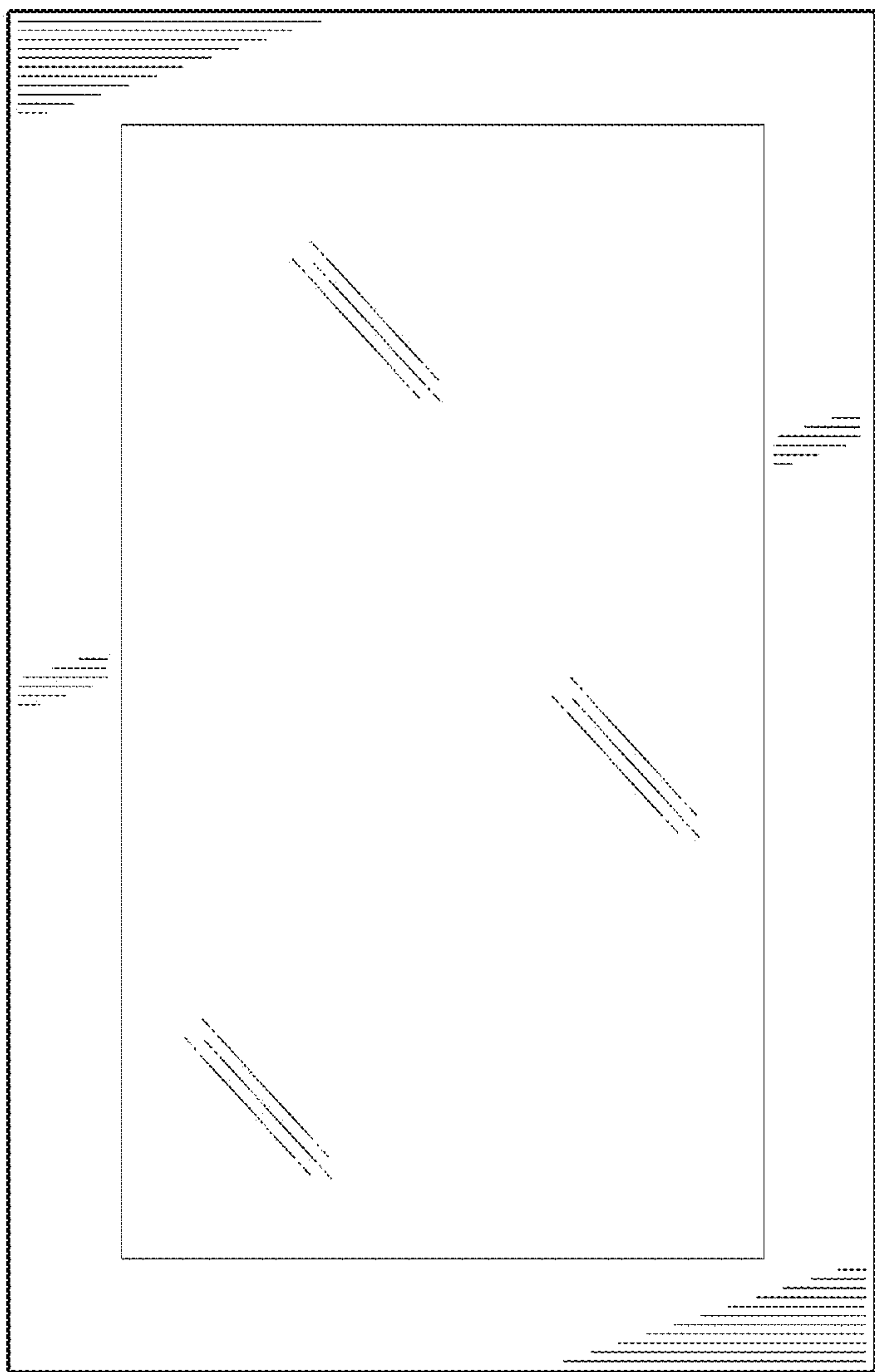


FIG. 11

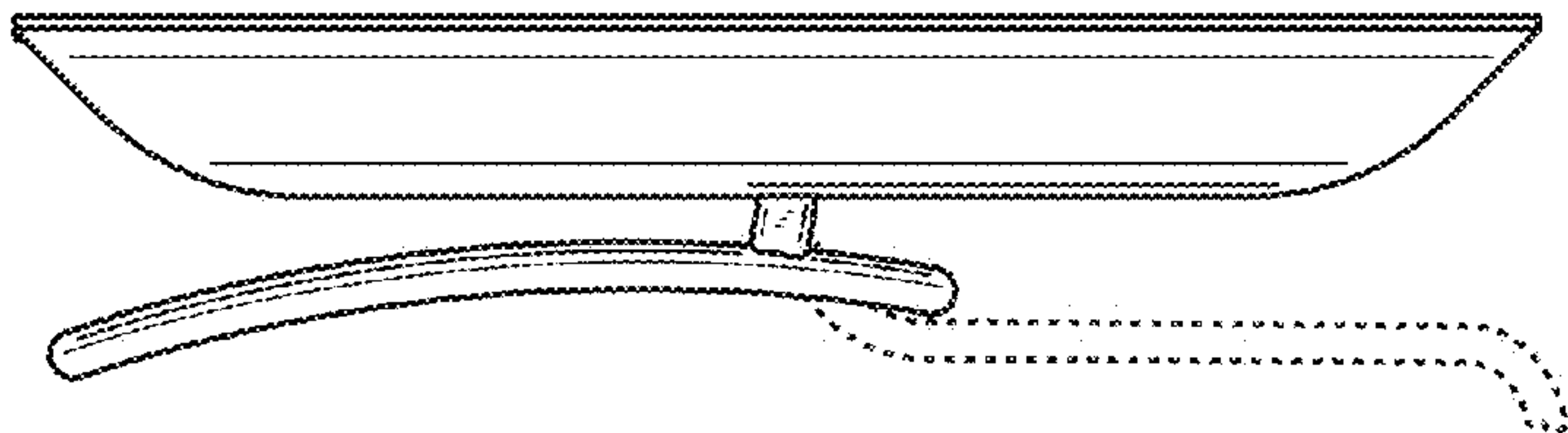


FIG. 12

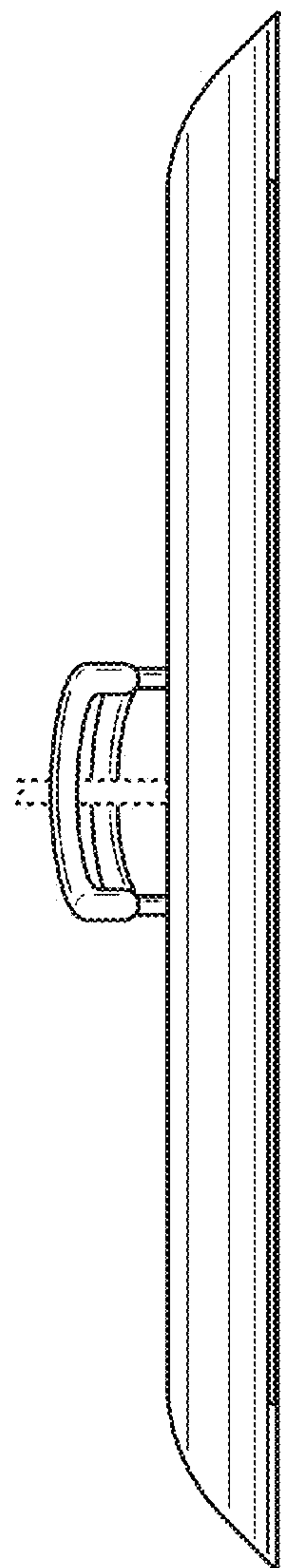


FIG. 15



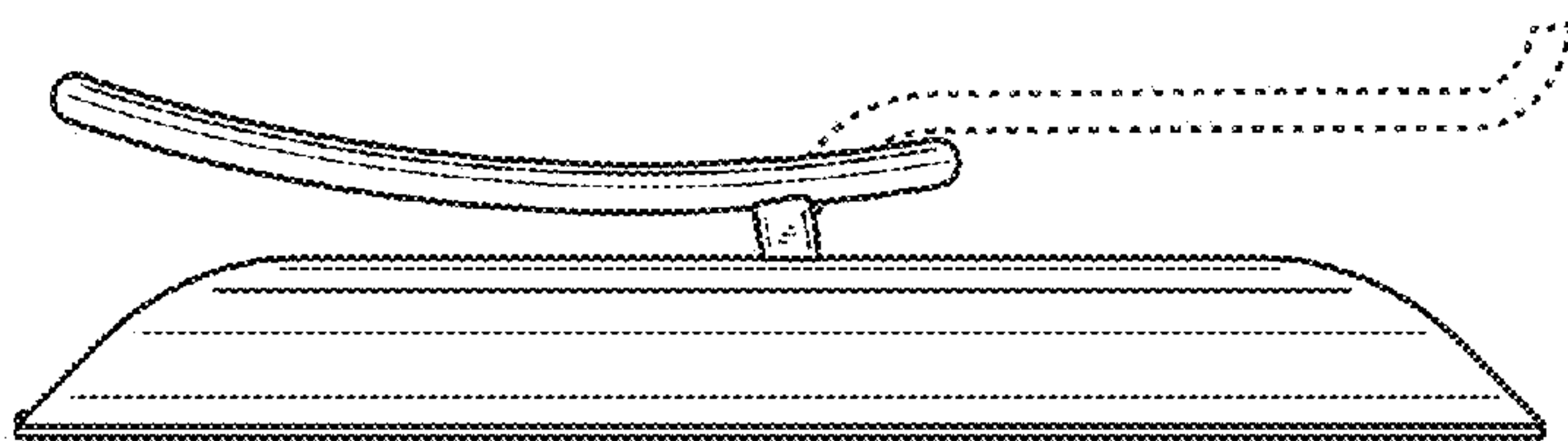


FIG. 14

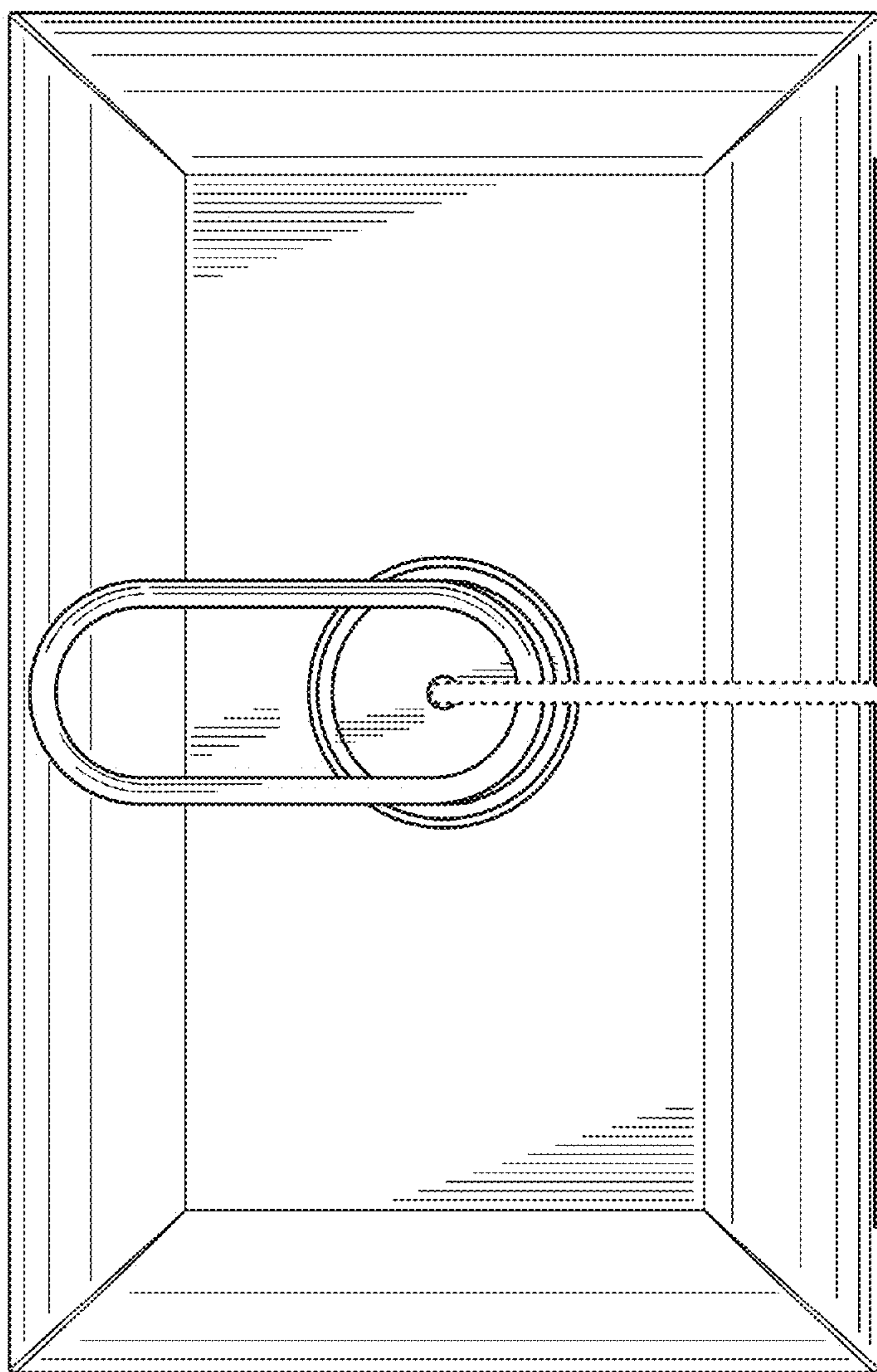


FIG. 13

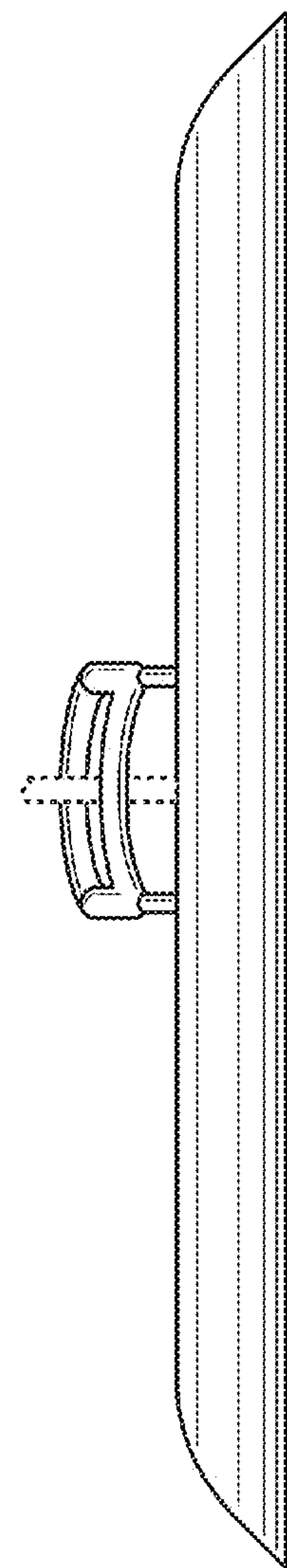


FIG. 16