



US00D756357S

(12) **United States Design Patent**
Akana et al.

(10) **Patent No.:** **US D756,357 S**
(45) **Date of Patent:** **** May 17, 2016**

(54) **ELECTRONIC DEVICE WITH GRAPHICAL USER INTERFACE**

(71) Applicant: **Apple Inc.**, Cupertino, CA (US)

(72) Inventors: **Jody Akana**, San Francisco, CA (US); **Bartley K. Andre**, Palo Alto, CA (US); **Shota Aoyagi**, San Francisco, CA (US); **Anthony Michael Ashcroft**, San Francisco, CA (US); **Jeremy Bataillou**, San Francisco, CA (US); **Daniel J. Coster**, San Francisco, CA (US); **Daniele De Iuliis**, San Francisco, CA (US); **Alan C. Dye**, San Francisco, CA (US); **M. Evans Hankey**, San Francisco, CA (US); **Julian Hoenig**, San Francisco, CA (US); **Richard P. Howarth**, San Francisco, CA (US); **Jonathan P. Ive**, San Francisco, CA (US); **Duncan Robert Kerr**, San Francisco, CA (US); **Marc A. Newson**, London (GB); **Matthew Dean Rohrbach**, San Francisco, CA (US); **Peter Russell-Clarke**, San Francisco, CA (US); **Benjamin Andrew Shaffer**, San Jose, CA (US); **Mikael Silvanto**, San Francisco, CA (US); **Christopher J. Stringer**, Woodside, CA (US); **Eugene Antony Whang**, San Francisco, CA (US); **Christopher Wilson**, San Francisco, CA (US); **Eric Lance Wilson**, San Jose, CA (US); **Rico Zörkendörfer**, San Francisco, CA (US)

(73) Assignee: **Apple Inc.**, Cupertino, CA (US)

(**) Term: **14 Years**

(21) Appl. No.: **29/501,152**

(22) Filed: **Sep. 2, 2014**

(51) **LOC (10) Cl.** **14-04**

(52) **U.S. Cl.**
USPC **D14/344**; D10/30; D14/486

(58) **Field of Classification Search**
USPC D10/30, 31, 32, 38, 39, 65-70, 78, 128; D11/3; D14/138 G, 138 R, 144, 341, D14/344, 402; 368/10, 13, 21, 28, 32, 37, 368/47, 69, 155, 220, 238, 251, 285

CPC G04B 19/02; G04B 19/23; G04B 19/24; G04B 19/247; G04B 37/0008; G04B 37/22; G04B 47/00; G04B 47/06; G04B 47/063; G04C 3/008; G04C 11/00; G04C 17/00; G04C 17/0066; G04C 21/00; A61B 5/681; G06F 1/163; G06F 3/041; G04G 9/00; G04G 9/0064; G04G 9/0076; G04G 21/08
See application file for complete search history.

(56) **References Cited**

U.S. PATENT DOCUMENTS
3,640,065 A 2/1972 Lederrey et al.
D287,471 S 12/1986 Sato et al.

(Continued)

FOREIGN PATENT DOCUMENTS
DE 10229050 C1 6/2003
EP 1098231 A1 5/2001

(Continued)

OTHER PUBLICATIONS

Warman, Matt, "Apple iWatch: latest rumours suggest a wearable revolution", posted at www.telegraph.co.uk.com, Dec. 30, 2012, © 2015 Telegraph Media Group Limited [online], [site visited Dec. 9, 2015]. Available from Internet: <<http://www.telegraph.co.uk/technology/apple/9771472/Apple-iWatch-latest-rumours-suggest-a-wearable-revolution.html>>.*

(Continued)

Primary Examiner — Karen E Kearney

Assistant Examiner — John M Otte

(74) *Attorney, Agent, or Firm* — Sterne, Kessler, Goldstein & Fox P.L.L.C.

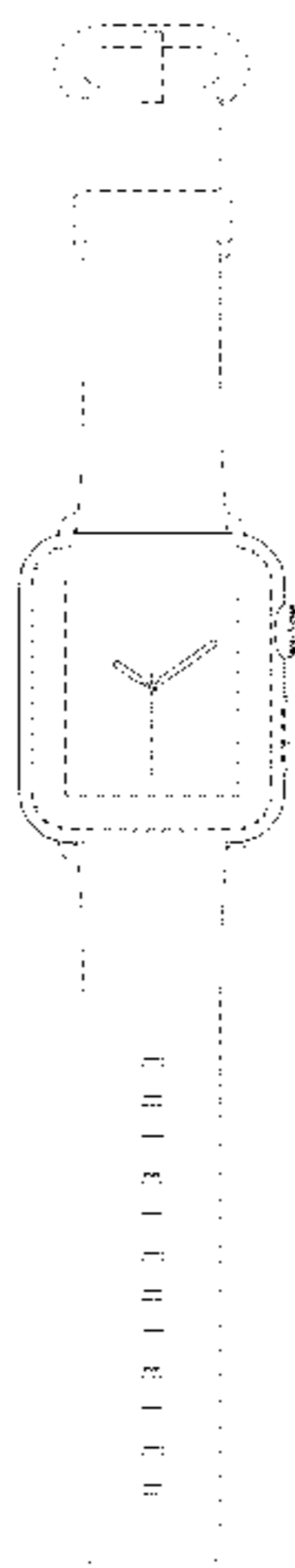
(57) **CLAIM**

The ornamental design for an electronic device with graphical user interface, as shown and described.

DESCRIPTION

FIG. 1 is a front view of an electronic device with graphical user interface showing our new design;
FIG. 2 is a rear view thereof;
FIG. 3 is a right side view thereof;
FIG. 4 is a left side view thereof;
FIG. 5 is a top view thereof; and,
FIG. 6 is a bottom view thereof.
The broken lines in the Figures show portions of the electronic device with graphical user interface that form no part of the claimed design.

1 Claim, 4 Drawing Sheets



(56)

References Cited

U.S. PATENT DOCUMENTS

D321,665	S *	11/1991	Crocco	D10/32
5,386,933	A	2/1995	Greene et al.		
6,081,483	A *	6/2000	Capt	G04C 17/0066 368/28
D439,172	S	3/2001	Brzezinski		
6,655,831	B1	12/2003	Ruffieux		
D496,589	S	9/2004	Perrenoud		
6,970,157	B2	11/2005	Siddeeq		
D513,195	S	12/2005	Gruosi		
7,004,469	B2	2/2006	Von Goeben		
D528,439	S	9/2006	Burton		
D528,928	S	9/2006	Burton		
7,106,197	B2	9/2006	Gaiotto et al.		
D558,227	S	12/2007	Cho et al.		
D572,266	S	7/2008	Anderson et al.		
D574,735	S	8/2008	Landman et al.		
D578,922	S	10/2008	Hoshino		
D584,170	S	1/2009	Morrison		
D586,823	S	2/2009	Anderson et al.		
D589,375	S	3/2009	Tang		
D596,610	S	7/2009	Hou		
D616,417	S	5/2010	Liao		
7,708,457	B2	5/2010	Girardin et al.		
D637,094	S	5/2011	Cobbett et al.		
D637,918	S	5/2011	Cobbett et al.		
D650,706	S	12/2011	Zanella et al.		
D666,503	S	9/2012	Bulgari		
D681,483	S	5/2013	Biegert et al.		
D688,967	S *	9/2013	Wilson	D10/128
D699,701	S	2/2014	Kim		
D723,946	S *	3/2015	Soares	D10/32
D724,556	S *	3/2015	Choi	D10/32
D728,624	S	5/2015	Akana et al.		
D729,237	S *	5/2015	Fagnot	D14/344
D737,157	S *	8/2015	Akana	D10/32
D739,768	S *	9/2015	Hanshew	D10/30
D741,726	S *	10/2015	Akana	D10/30
D742,254	S *	11/2015	Greusel	D10/30
D743,278	S *	11/2015	Solomon	D10/38
2010/0061191	A1	3/2010	Chen		
2010/0091615	A1 *	4/2010	Scott	G04G 9/0076 368/21
2013/0058198	A1 *	3/2013	Tu	G04G 21/08 368/28

FOREIGN PATENT DOCUMENTS

WO	DM/066491-004	3/2005
WO	DM/072215	9/2009
WO	DM/077452-004	6/2011
WO	WO-2014135709 A2	9/2014

OTHER PUBLICATIONS

Garcia, Hector, "iWatch Nano", posted at www.ageekinjapan.com, Sep. 12, 2010, © Tuttle Publishing [online], [site visited Dec. 9, 2015]. Available from Internet: <<http://www.ageekinjapan.com/iwatch-nano>>.*

"Smart Watches", posted at www.christopherwardforum.com, Jul. 5, 2013, © phpBB Group [online], [site visited Dec. 9, 2015]. Available from Internet: <<http://www.christopherwardforum.com/viewtopic.php?f=8&t=20011>>.*

Santo, Michael, "Latest iRumor: Apple working on Bluetooth-connected smart watch", posted at www.examiner.com, Dec. 7, 2012, © 2006-2015 AXS Digital Group LLC [online], [site visited Dec. 9, 2015]. Available from Internet: <<http://www.examiner.com/article/latest-irumor-apple-working-on-bluetooth-connected-smart-watch>>.*

Design U.S. Appl. No. 29/499,071, filed Aug. 11, 2014.

Design U.S. Appl. No. 29/501,770, filed Sep. 8, 2014.

Design U.S. Appl. No. 29/499,084, filed Aug. 11, 2014.

Design U.S. Appl. No. 29/501,752, filed Sep. 8, 2014.

Design U.S. Appl. No. 29/499,089, filed Aug. 11, 2014.

Design U.S. Appl. No. 29/499,088, filed Aug. 11, 2014.

Design U.S. Appl. No. 29/499,091, filed Aug. 11, 2014.

Design U.S. Appl. No. 29/499,090, filed Aug. 11, 2014.

Design U.S. Appl. No. 29/499,080, filed Aug. 11, 2014.

Design U.S. Appl. No. 29/499,081, filed Aug. 11, 2014.

Design U.S. Appl. No. 29/499,082, filed Aug. 11, 2014.

Design U.S. Appl. No. 29/501,624, filed Sep. 5, 2014.

Design U.S. Appl. No. 29/501,733, filed Sep. 8, 2014.

Design U.S. Appl. No. 29/501,720, filed Sep. 8, 2014.

Design U.S. Appl. No. 29/501,722, filed Sep. 8, 2014.

Design U.S. Appl. No. 29/501,746, filed Sep. 8, 2014.

Design U.S. Appl. No. 29/501,759, filed Sep. 8, 2014.

Design U.S. Appl. No. 29/501,723, filed Sep. 8, 2014.

Design U.S. Appl. No. 29/501,737, filed Sep. 8, 2014.

Alvarez, Edgar, "Basis Peak to get its smartwatch-like features in December," [engadget.com](http://www.engadget.com), <<http://www.engadget.com/2014/11/20/basis-peak-new-features/>>, dated Nov. 20, 2014, accessed Dec. 15, 2014.

Cool Material, "Braun Square Digital Watch," <<http://web.archive.org/web/20111125033014/http://coolmaterial.com/style/braun-square-digital-watch/>>, dated Nov. 25, 2011, accessed Dec. 18, 2014.

Emily, "Nixon—The Newton Digital," <<http://www.freshnessmag.com/2009/09/08/nixon-the-newton-digital/>>, freshnessmag.com, dated Sep. 8, 2009, accessed Oct. 9, 2014.

Fitbit, "Fitbit Surge™ Fitness Super Watch" <<https://www.fitbit.com/surge>>, accessed Dec. 15, 2014.

geekbuying.com, "Makibes unisex red led digital wrist watch with square case silicone watchband—white," <<http://www.geekbuying.com/item/Unisex-Red-LED-Digital-Wrist-Watch-with-Square-Case-Silicone-Watchband---White-326443.html>>, accessed Oct. 9, 2014.

Hodinkee.com, "Apple iPod Nano Now Available With Mickey Mouse Dial, Also Cheesy, Mechanically Inaccurate Open-Worked Dial," <<http://web.archive.org/web/20111006043916/http://www.hodinkee.com/blog/2011/10/5/apple-ipod-nano-now-available-with-mickey-mouse-dial-also-ch.html>>, dated Oct. 6, 2011, accessed Dec. 18, 2014.

Homego, "M6 Silver Smart Watch Cell Phone 1.54 inch Bluetooth 3.0 Dialer Outdoor Sports Pedometer," [amazon.com](http://www.amazon.com), <<http://www.amazon.com/Silver-Bluetooth-Dialer-Outdoor-Pedometer/dp/B00MQTBGK6>>, accessed Dec. 15, 2014.

Ikepod, "Original Ikepod Watch With GMT—Marc Newson Design," [Watchbox.be](http://www.watchbox.be), <<http://www.watchbox.be/prod/Others-Watches/Marc%20Newson%20Design/Item7165.htm#VJLm2fAo5D8>>, accessed Dec. 17, 2014.

LG Life's Good, "LG G Watch (W100)," <<http://www.lg.com/us/smart-watches/lg-w100-g-watch>>, accessed Dec. 18, 2014.

Metawatch, "Frame—Black (MW3005)," <<http://meta.watch/collections/smartwatch-all/products/frame-ss-black-leather>>, accessed Dec. 15, 2014.

Omate, "Omate TrueSmart: Water-resistant standalone Smartwatch 2.0," <<http://www.kickstarter.com/projects/omate/omate-truestart-water-resistant-standalone-smartwa>>, dated Aug. 21, 2013, accessed Oct. 8, 2014.

Omate, "The TrueSmart™ is the world's first standalone smartwatch 2.0 running on top of Android and OUI 2.0," <<http://www.omate.com/product.html>>, accessed Dec. 15, 2014.

Pebble, "Pebble Smartwatch," getpebble.com, <<https://getpebble.com/checkout>>, accessed Dec. 15, 2014.

Samsung, "Samsung Gear™ 2 Charcoal Black SM-R3800VSAXAR," <<http://www.samsung.com/us/mobile/wearable-tech/SM-R3800VSAXAR>>, accessed Dec. 15, 2014.

Samsung, "Samsung Gear S™, (Sprint), Black SM-R750PZKASPR," <<http://www.samsung.com/us/mobile/wearable-tech/SM-R750PZKASPR>>, accessed Dec. 15, 2014.

Samsung, "Galaxy Gear™ Live, Black SM-R3820ZKAXAR," <<http://www.samsung.com/us/mobile/wearable-tech/SM-R3820ZKAXAR>>, accessed Dec. 15, 2014.

Sony, "SmartWatch 3 SWR50," <<http://www.sonymobile.com/us/products/smartwear/smartwatch-3-swr50/>>, accessed Dec. 15, 2014.

Sony, "SmartWatch," <<http://www.sonymobile.com/us/products/accessories/smartwatch/>>, accessed Dec. 15, 2014.

(56)

References Cited

OTHER PUBLICATIONS

Stables, James, "Clevercare smartwatch aims to help Alzheimer's suffers and carers: Revamped Sony SmartWatch 2 designed for users that need care," *Wearable News*, <<http://www.wearable.com/wearable-tech/clevercare-smartwatch-aims-to-help-alzheimers-suffers-and-carers-585>>, dated Dec. 15, 2014.

Team Luxe, "Collector's Edition: Hermes Carre H Watch," *Luxpresso*, <<http://luxpresso.com/news-couture/collectors-edition-hermes-carre-h-watch/2814>>, dated Jan. 10, 2011, accessed Dec. 18, 2014.

Ted Baker, "Ted Baker Men's TE1054 Time Flies Contemporary Square Digital Case Watch," <<http://www.amazon.com/Ted-Baker-TE1054-Contemporary-Digital/dp/B0045CRTYO%3FSubscriptionId%3DAKIAJ3U4YRIBWCGGKZ2A%26tag%3Dfrases365-20%26linkCode%3Dsp1%26camp%3D2025%26creative%3D165953%26creativeASIN%3DB0045CRTYO>>, accessed Oct. 9, 2014.

Velazco, Chris, "ASUS ZenWatch review: subtle and stylish, with a few shortcomings," *Engadget.com*, <<http://www.engadget.com/2014/12/11/asus-zenwatch-review/>>, dated Dec. 11, 2014, accessed Dec. 15, 2014.

Watches Infoniac.com, "Hermes Carre H Watch—Extremely Contemporary Design," <<http://watches.infoniac.com/carre-h-watch-hermes.html>>, dated Aug. 13, 2010, accessed Dec. 18, 2014.

Watchismo, "Braun BN0042 Black Date Leather," <<http://web.archive.org/web/20130815073830/http://www.watchismo.com/braun-bn0042bkbk.aspx>>, dated Aug. 15, 2013, accessed Dec. 18, 2014.

Swatch Irony Lady Swatch Japan Online store, Apr. 30, 2013, Swatch Group Japan KK, Japan. http://jp-shop.swatch.jp/fs/swatchec/GoodsAdditionalImagePopup.html?goods_id=1050, (JPO publicly known document No. HJ25006511).

Goods Press, Mar. 10, 2007, p. 72, No. 3. Received by the National Center for Industrial Property Information and Training of the JPO on Feb. 13, 2007, (JPO publicly known document No. HA18034965).

* cited by examiner

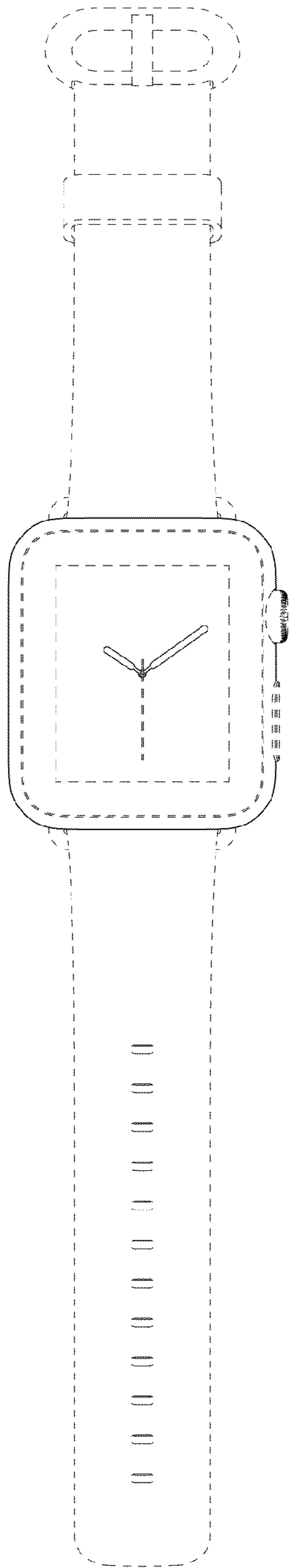


FIG. 1

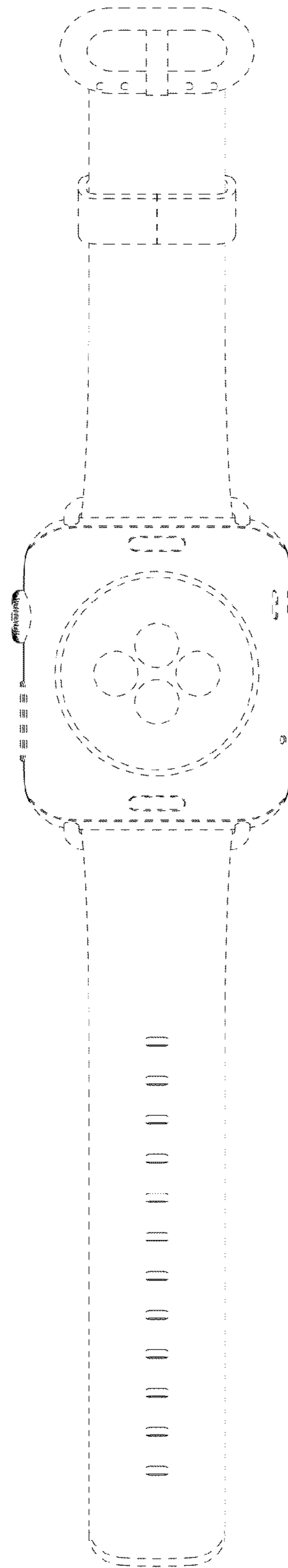


FIG. 2

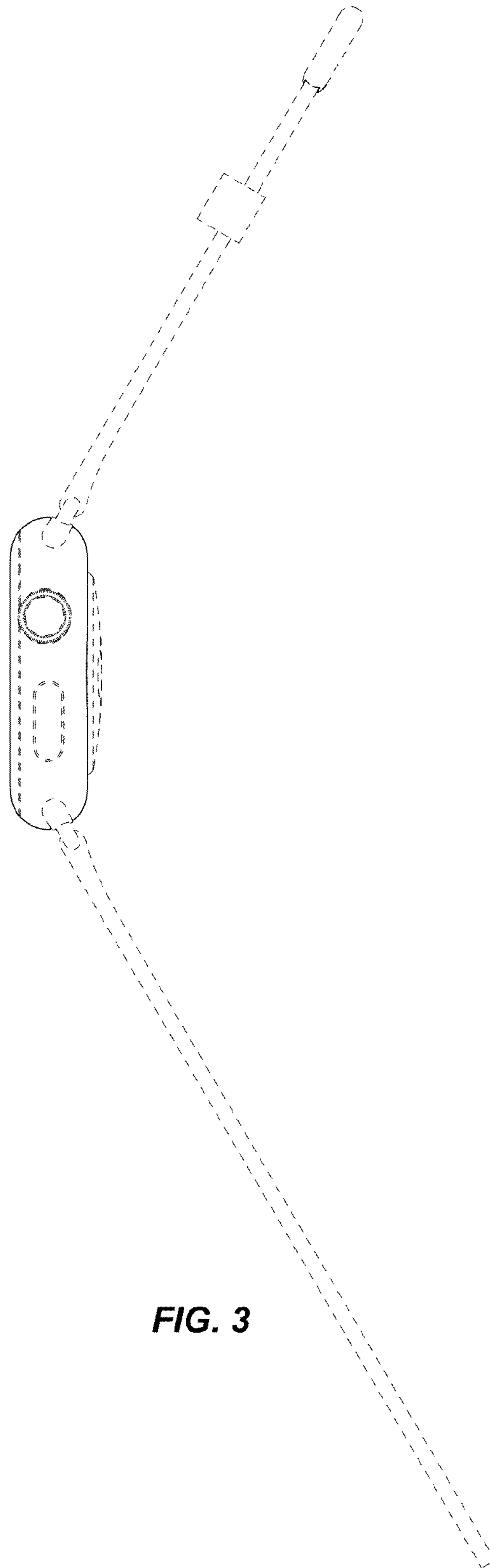


FIG. 3

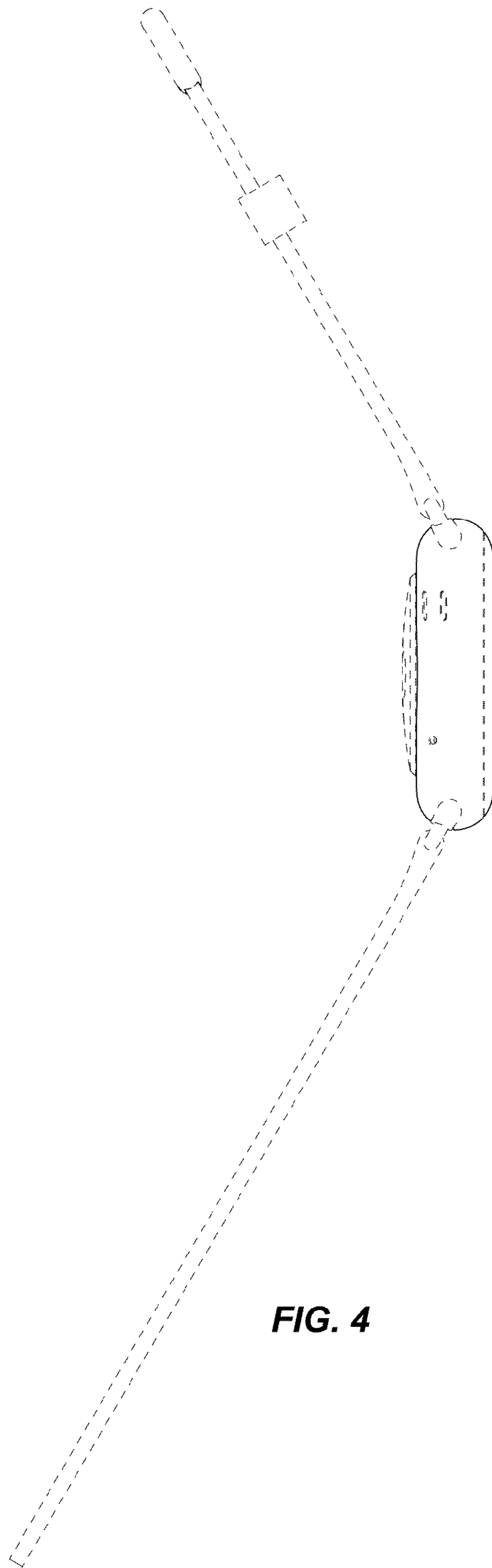


FIG. 4

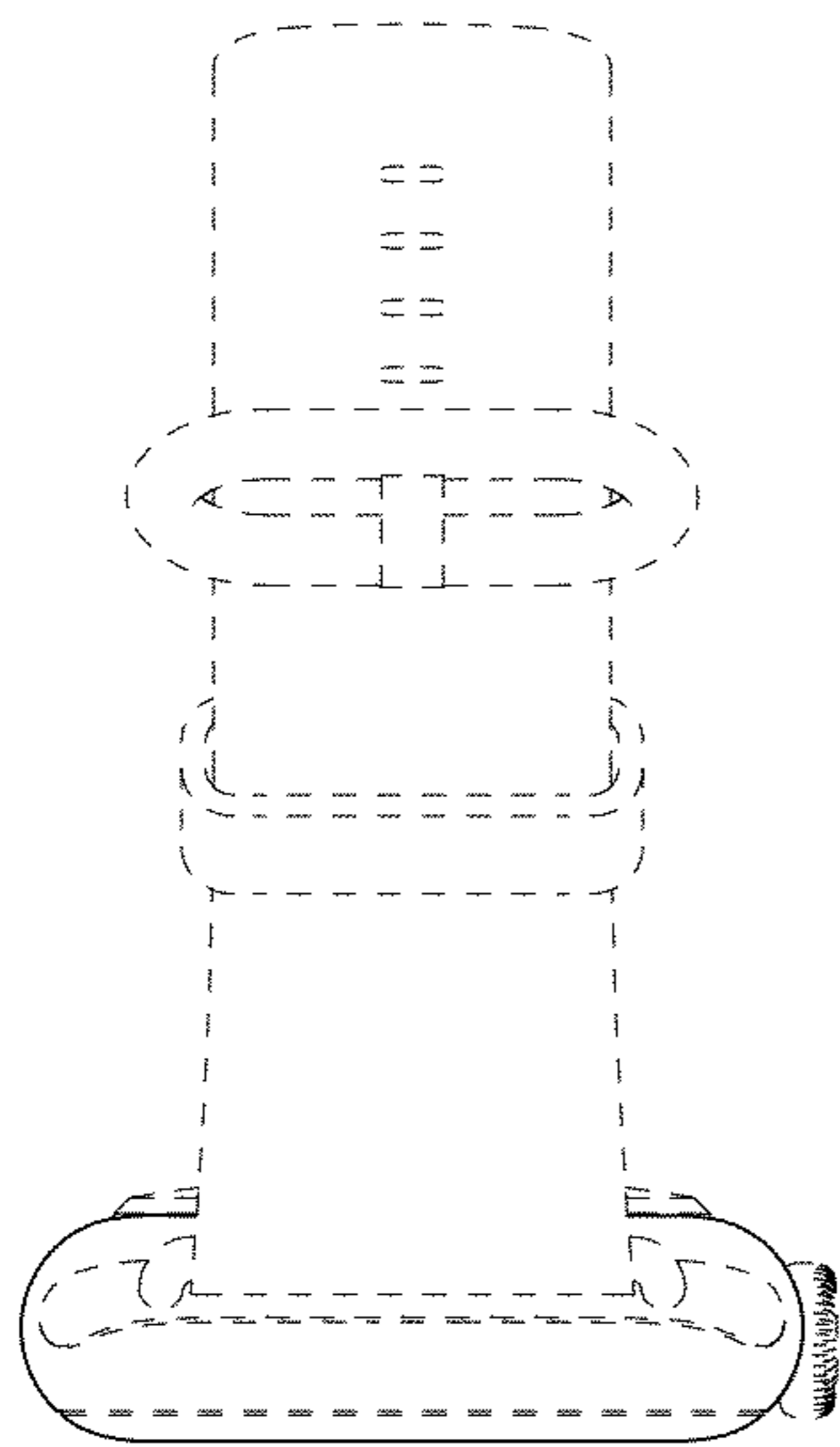


FIG. 5

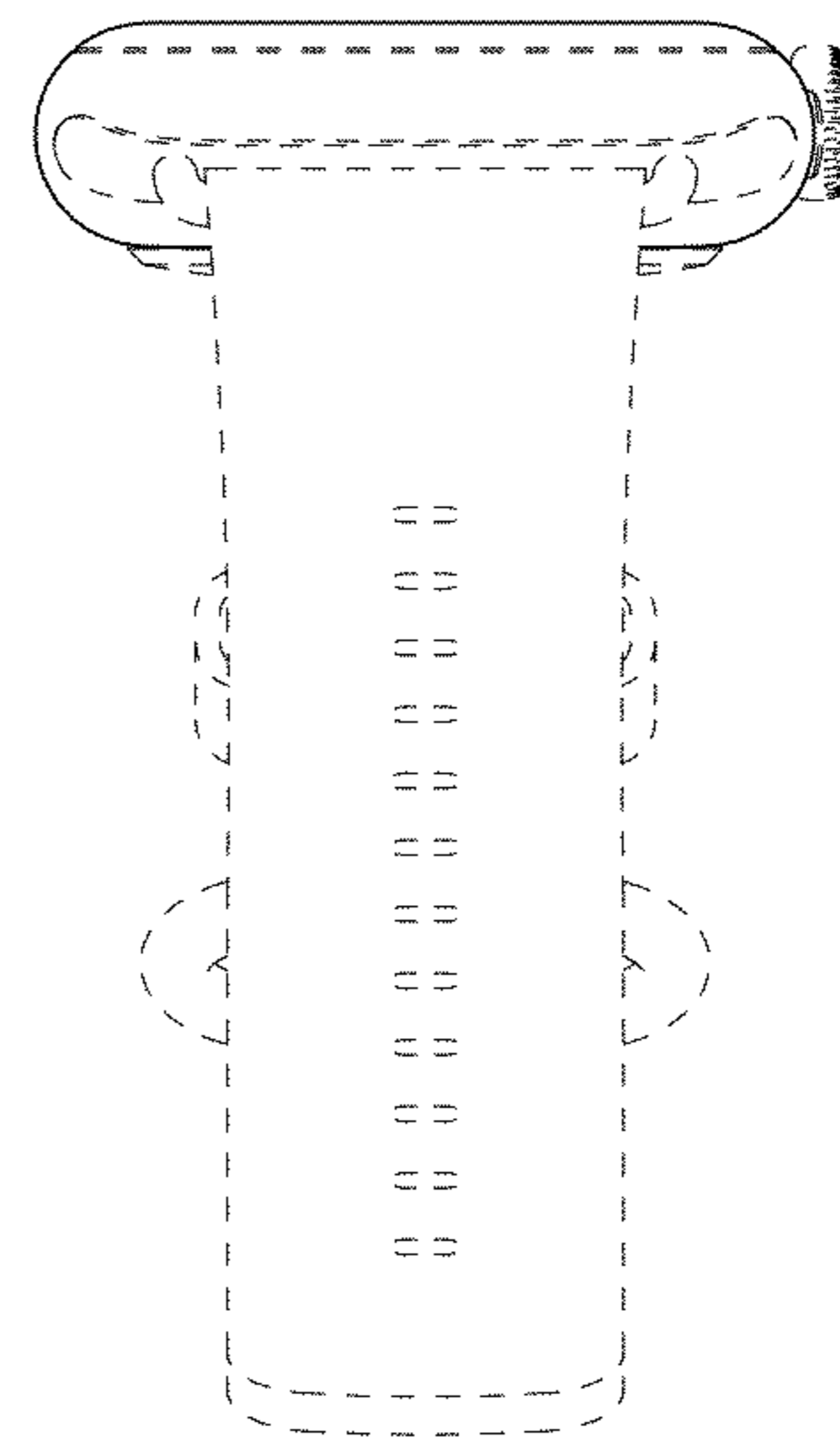


FIG. 6