



US00D756354S

(12) **United States Design Patent**
Katsumata

(10) **Patent No.:** **US D756,354 S**
(45) **Date of Patent:** **** May 17, 2016**

- (54) **PERSONAL DIGITAL ASSISTANCE**
- (71) Applicant: **FUJIFILM Corporation**, Minato-ku, Tokyo (JP)
- (72) Inventor: **Yukinori Katsumata**, Minato-ku (JP)
- (73) Assignee: **FUJIFILM Corporation**, Tokyo (JP)
- (**) Term: **14 Years**
- (21) Appl. No.: **29/491,064**
- (22) Filed: **May 16, 2014**
- (30) **Foreign Application Priority Data**
Nov. 20, 2013 (JP) 2013-027168
- (51) **LOC (10) Cl.** **14-02**
- (52) **U.S. Cl.**
USPC **D14/341**
- (58) **Field of Classification Search**
USPC D14/341, 496, 487, 493, 388, 389, 383, D14/374, 129; 345/173; 455/556.2; D19/1; D20/22; 40/642, 330; 715/227, 228, 715/234; 238/109, 110; 101/369
CPC G06F 3/00
See application file for complete search history.

- (56) **References Cited**
U.S. PATENT DOCUMENTS
2,361,670 A * 10/1944 Whitehead B42D 25/43
101/369
D291,582 S * 8/1987 Kreisner D18/7
D296,770 S * 7/1988 Lloyd D10/102
D304,911 S * 12/1989 Parker D10/50
D310,340 S * 9/1990 Wada D10/50
5,398,310 A * 3/1995 Tchao G06F 3/04883
715/234
5,543,588 A * 8/1996 Bisset G06F 1/1626
178/18.06
D390,211 S * 2/1998 Yates D14/341
D403,972 S * 1/1999 Gaskell D10/50
6,032,867 A * 3/2000 Dushane G05D 23/1904
236/46 R

- 6,069,326 A * 5/2000 Henson G01L 27/005
178/18.01
- D442,173 S * 5/2001 Wang D14/342
- D460,756 S * 7/2002 Allen, Jr. D14/341
- D460,759 S * 7/2002 West D14/341
- 6,433,797 B1 * 8/2002 Zellweger G06F 3/0482
715/762
- 6,518,957 B1 * 2/2003 Lehtinen G06F 1/1626
345/168
- D521,508 S * 5/2006 Ting D14/341
- D556,608 S * 12/2007 Rhodes D10/50
- D560,227 S * 1/2008 Bennett D14/496
- D568,903 S * 5/2008 Seo D14/496
- D571,675 S * 6/2008 Skaf D10/50
- D576,634 S * 9/2008 Clark D14/485
- D582,802 S * 12/2008 Branson D10/50
- D595,712 S * 7/2009 Guery D14/341
- 7,705,799 B2 * 4/2010 Niwa G06F 1/1616
345/1.1
- D620,003 S * 7/2010 Chiang D14/341
- 7,770,109 B2 * 8/2010 Fortes G06F 17/211
715/209
- D625,726 S * 10/2010 Crisp D14/389
- D627,777 S * 11/2010 Akana D14/341
- D637,604 S * 5/2011 Brinda D14/488

(Continued)

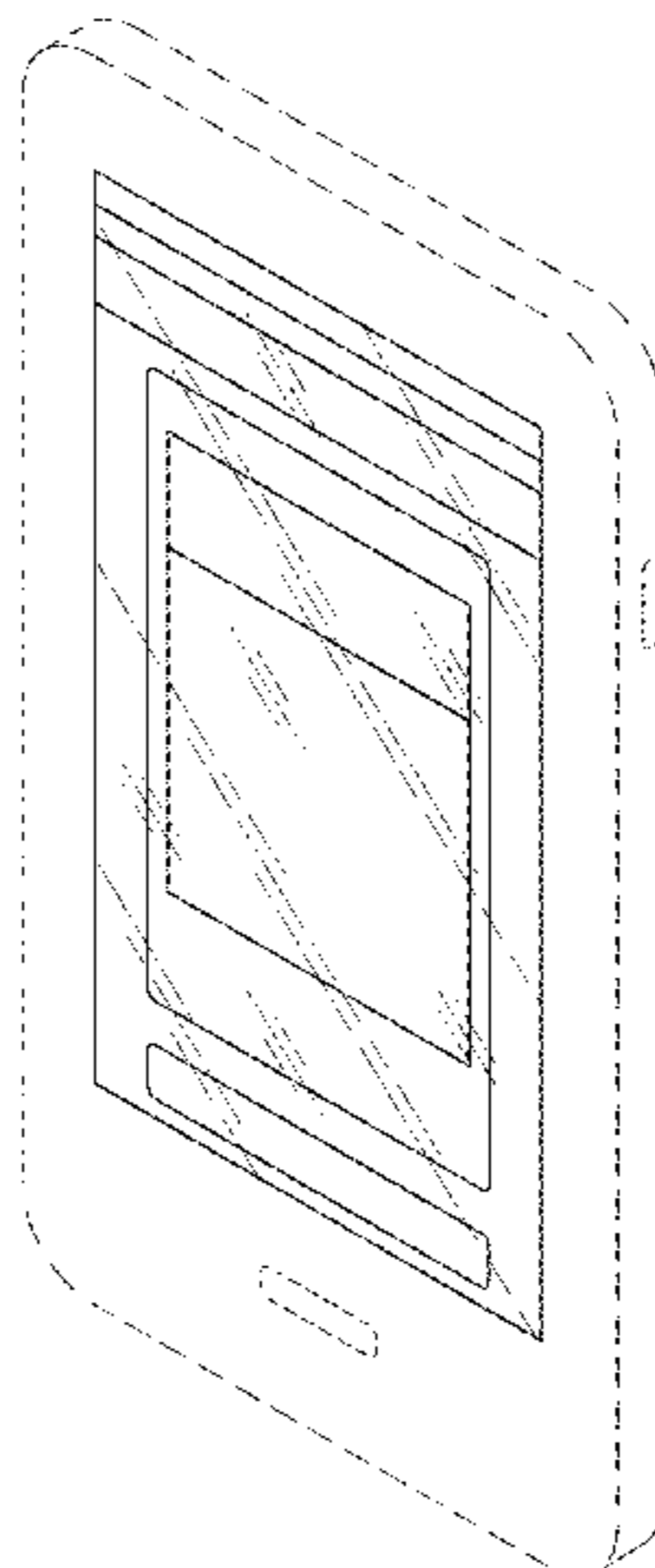
Primary Examiner — Paula Greene
(74) *Attorney, Agent, or Firm* — Sughrue Mion, PLLC

(57) **CLAIM**
The ornamental design for a personal digital assistance, as shown and described.

DESCRIPTION

FIG. 1 is a top, front and right side perspective view of a personal digital assistance showing my new design; FIG. 2 is a front elevational view thereof; FIG. 3 is a rear elevational view thereof; FIG. 4 is a top plan view thereof; FIG. 5 is a left side elevational view thereof; FIG. 6 is a right side elevational view thereof; and, FIG. 7 is a front elevational view thereof in a manner of use. The broken lines showing the portions of the personal digital assistance in all views are for illustrative purposes only and form no part of the claimed design.

1 Claim, 6 Drawing Sheets



(56)

References Cited

U.S. PATENT DOCUMENTS

D638,396 S *	5/2011	Finnegan	D14/203.3	D688,691 S *	8/2013	Gleasman	D14/488
D639,805 S *	6/2011	Song	D14/138 G	D689,492 S *	9/2013	Halsinger	D14/389
D640,274 S *	6/2011	Arnold	D14/487	D706,300 S *	6/2014	Akana	D14/341
D646,664 S *	10/2011	Lee	D14/203.3	D721,699 S *	1/2015	Yagihashi	D14/341
D648,735 S *	11/2011	Arnold	D14/486	2009/0271783 A1 *	10/2009	Hsieh	G06F 3/04883
D664,561 S *	7/2012	Gleasman	D14/488				717/178
D670,287 S *	11/2012	Shimizu	D14/341	2010/0048250 A1 *	2/2010	Jiang	G06F 1/1626
D673,560 S *	1/2013	Kim	D14/341				455/566
				2010/0323762 A1 *	12/2010	Sindhu	G06F 1/1613
							455/566

* cited by examiner

FIG. 1

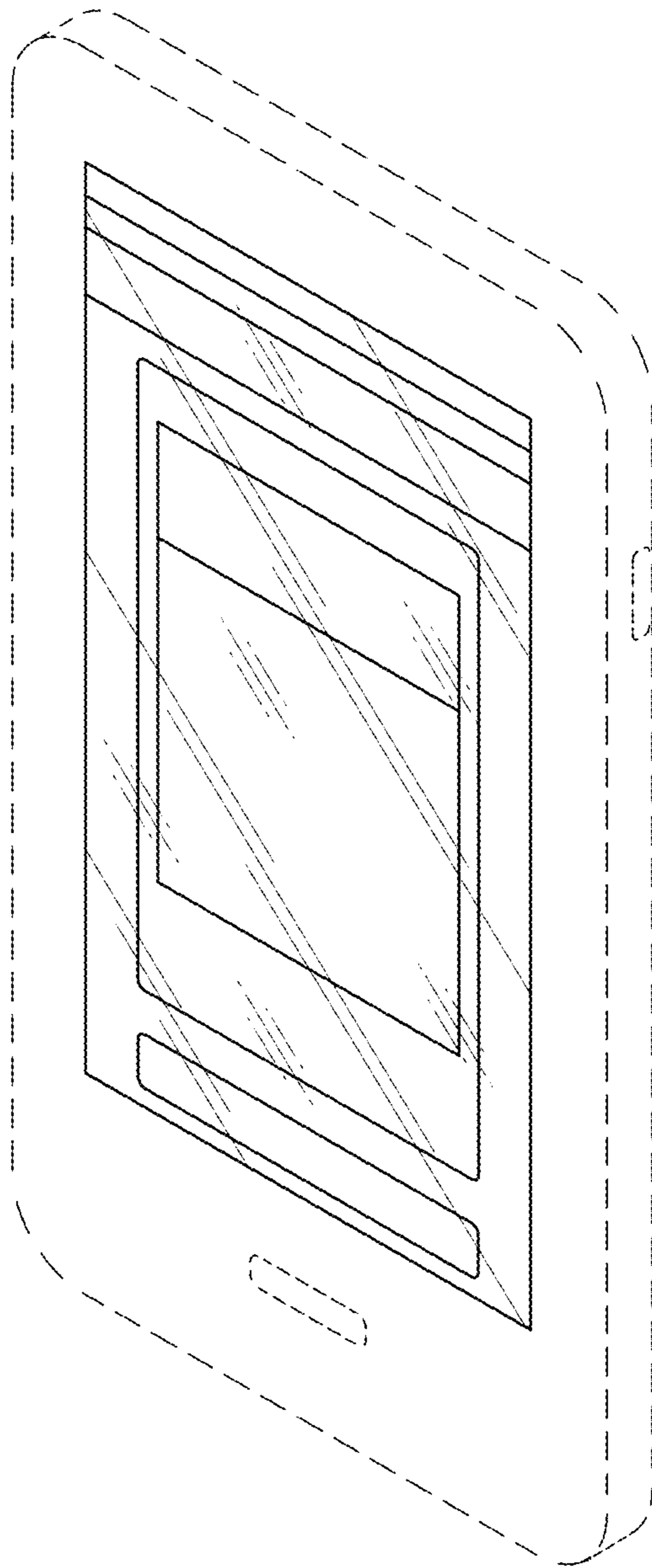


FIG. 2

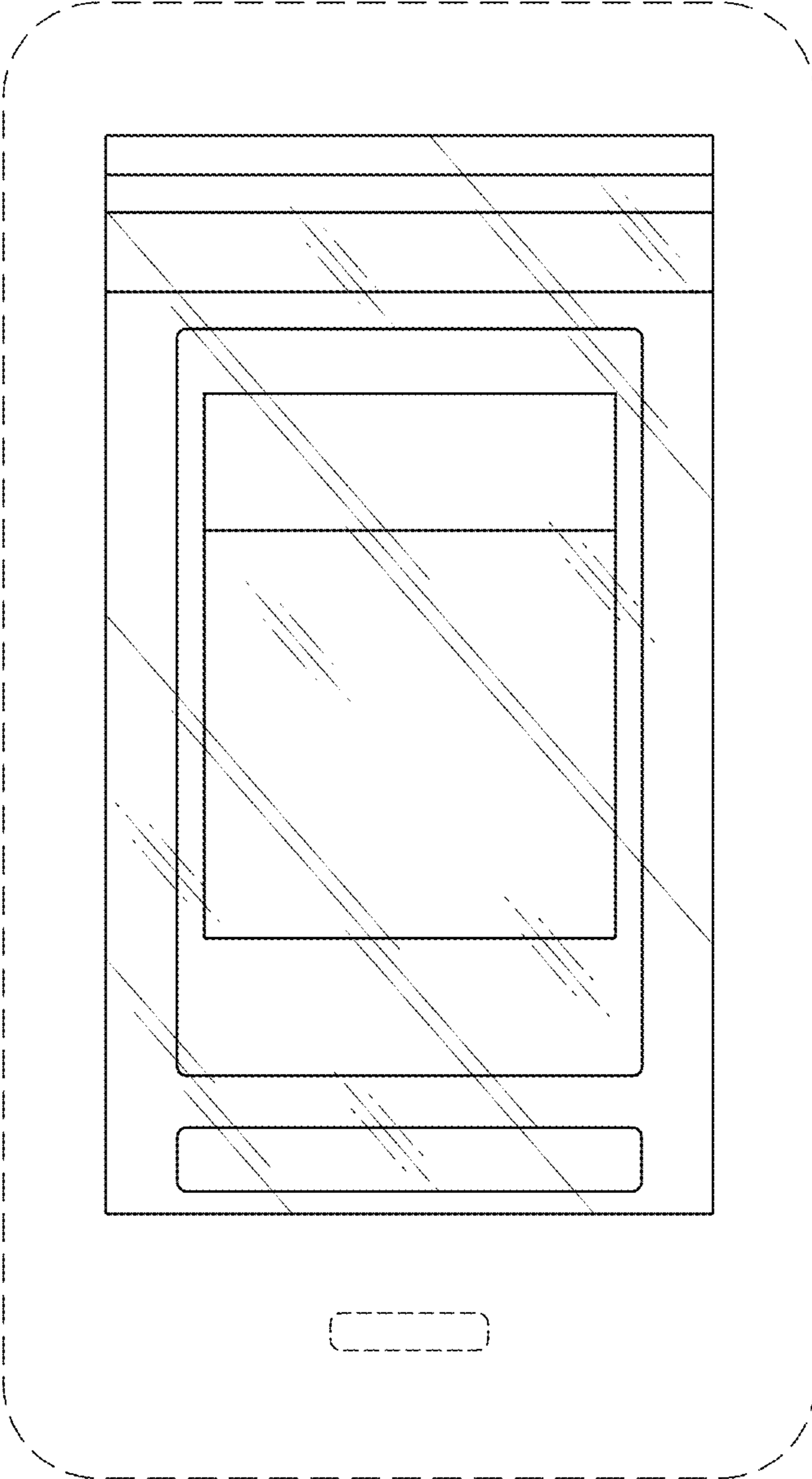


FIG. 3

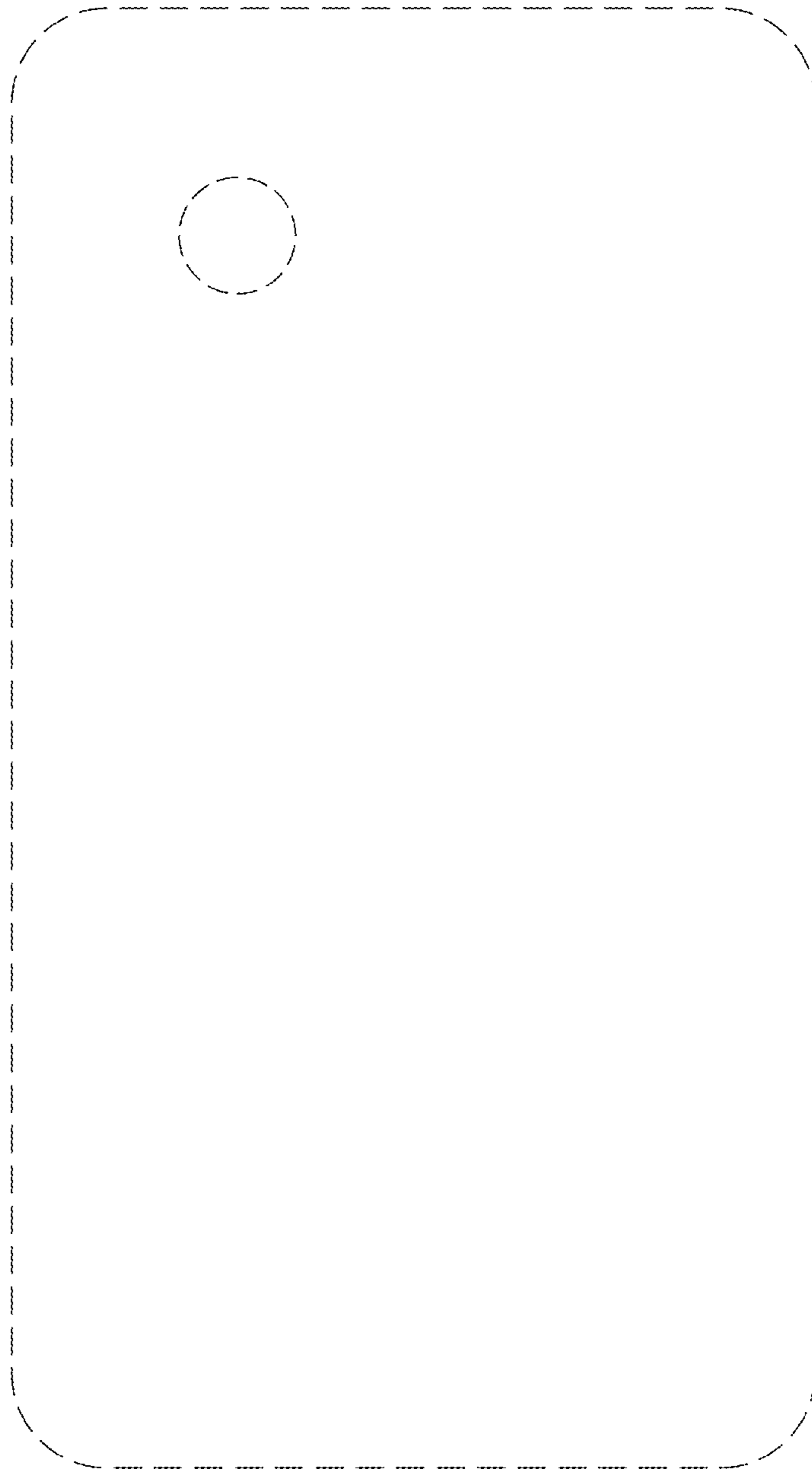


FIG. 4



FIG. 5

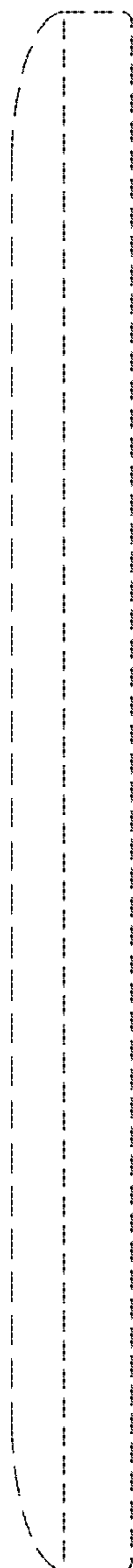


FIG. 6

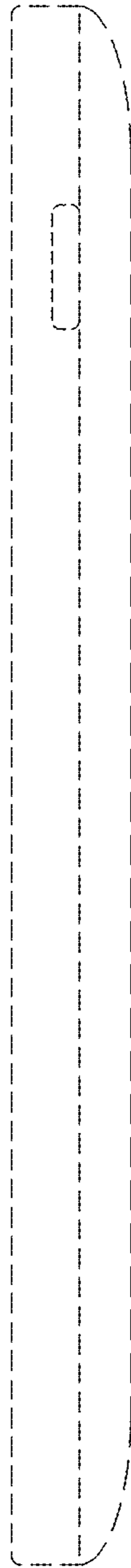


FIG. 7

