



US00D756351S

(12) **United States Design Patent**
Sun et al.

(10) **Patent No.:** **US D756,351 S**

(45) **Date of Patent:** **** May 17, 2016**

(54) **INFORMATION HANDLING SYSTEM HOUSING**

(71) Applicant: **Dell Products L.P.**, Round Rock, TX (US)

(72) Inventors: **Cecilia H. Sun**, Austin, TX (US); **Paul J. Doczy**, Austin, TX (US); **Nick Poteracki**, Austin, TX (US)

(73) Assignee: **Dell Products L.P.**, Round Rock, TX (US)

(**) Term: **15 Years**

(21) Appl. No.: **29/527,725**

(22) Filed: **May 21, 2015**

(51) **LOC (10) Cl.** **14-02**

(52) **U.S. Cl.**
USPC **D14/315**

(58) **Field of Classification Search**
USPC D14/315-327; D18/1, 2, 7, 11; 235/145 A, 145 R; 341/22, 23; 345/104, 345/156, 168, 169, 173; 361/679.08, 361/679.09, 679.11, 679.26, 679.27
CPC G06F 1/16; G06F 1/1616; G06F 1/1626; G06F 1/1632; G06F 1/1613; G06F 1/1601; G06F 1/1618; G06F 1/162; H01R 35/02; H03M 11/00; G09B 13/04; H03K 17/94; G09G 5/00; F16M 11/10; H05K 5/00; H04M 1/0237
See application file for complete search history.

(56) **References Cited**

U.S. PATENT DOCUMENTS

D343,407 S * 1/1994 Kando D14/315
6,067,224 A * 5/2000 Nobuchi G06F 1/1688
361/679.21

D463,797 S * 10/2002 Andre D14/327
6,775,129 B1 * 8/2004 Ghosh G06F 1/162
361/679.09
D578,524 S * 10/2008 Yoon D14/319
D589,506 S * 3/2009 Gluskoter D14/315
D591,282 S * 4/2009 Jen D14/315
D615,539 S * 5/2010 Jen D14/315
D617,789 S * 6/2010 Akana D14/318
D664,532 S * 7/2012 Lee D14/315
D714,777 S * 10/2014 Chang D14/315

* cited by examiner

Primary Examiner — Freda S Nunn

(74) *Attorney, Agent, or Firm* — Terrile, Cannatti, Chambers & Holland, LLP; Robert W. Holland

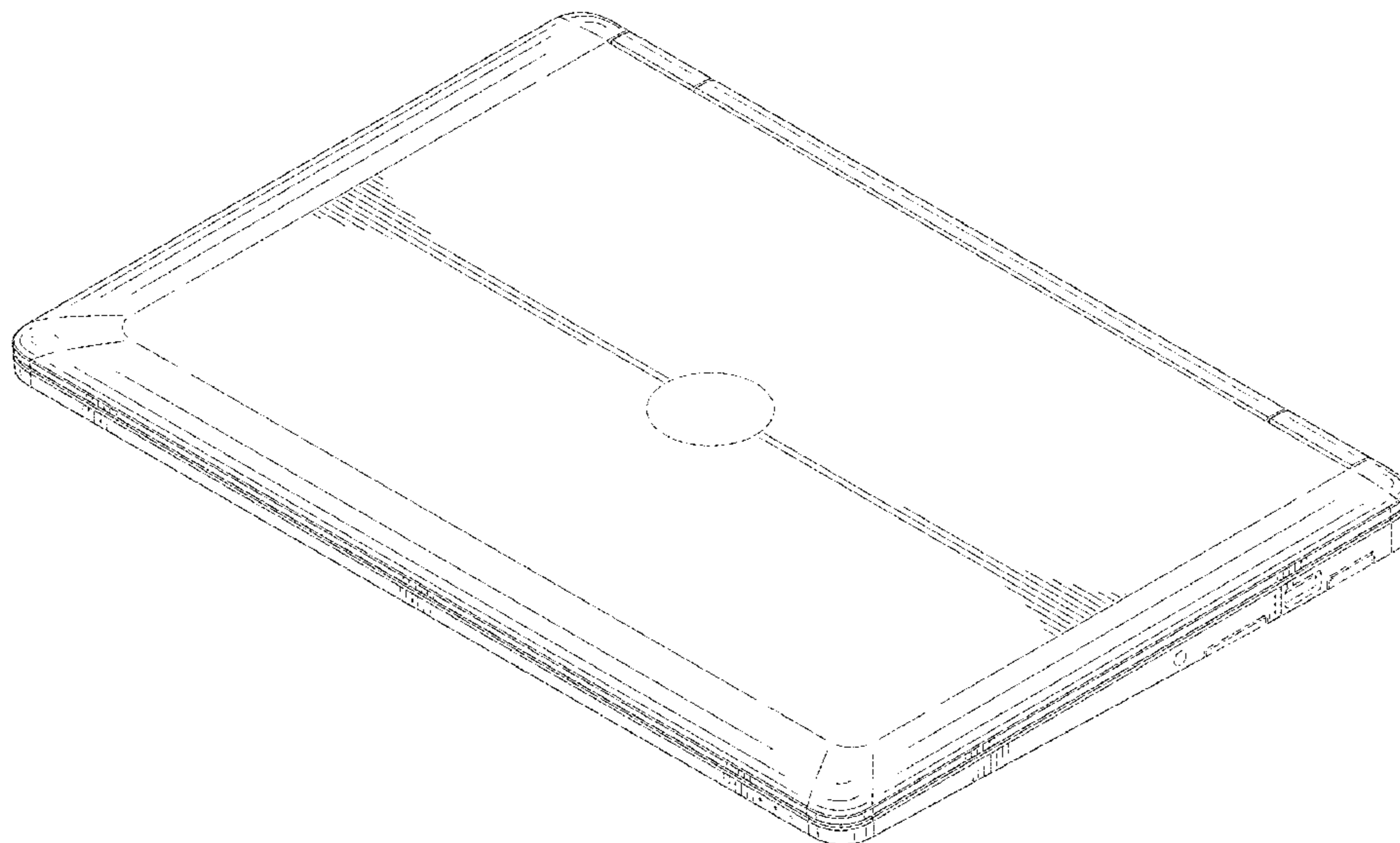
(57) **CLAIM**

We claim the ornamental design for an information handling system housing, as shown and described.

DESCRIPTION

FIG. 1 is a front perspective view of the information handling system housing in a closed position comprising the present invention;
FIG. 2 is a front side view thereof;
FIG. 3 is a rear side view thereof;
FIG. 4 is a left side view thereof;
FIG. 5 is a right side view thereof;
FIG. 6 is a top view thereof;
FIG. 7 is a bottom view thereof;
FIG. 8 is a front perspective view thereof in an open position;
FIG. 9 is a front perspective view thereof in a fully open position; and,
FIG. 10 is a rear perspective view thereof in a closed position.
Broken lines shown in the drawings illustrate portions of the information handling system housing, and form no part of the claimed design.

1 Claim, 7 Drawing Sheets



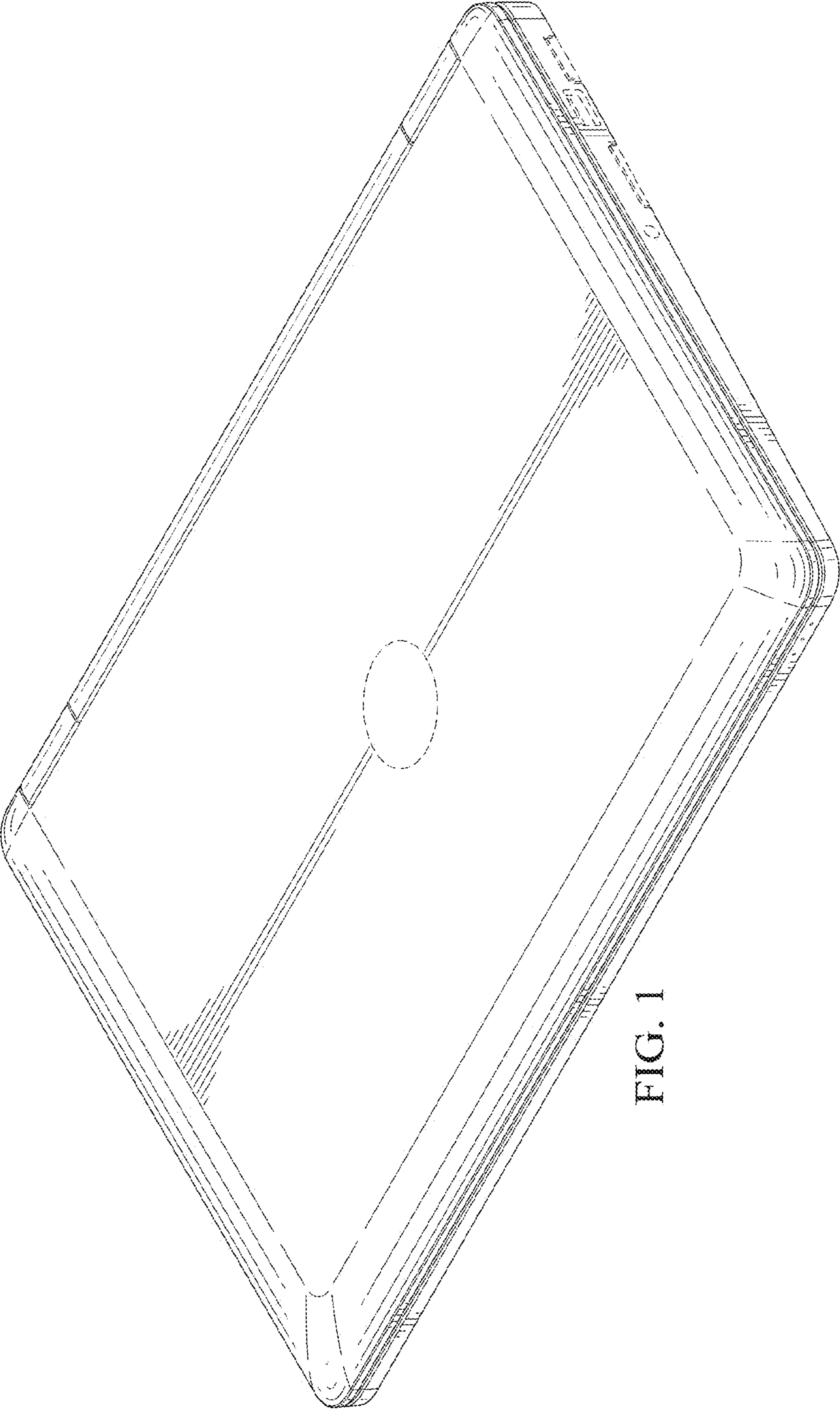


FIG. 1

FIG. 2

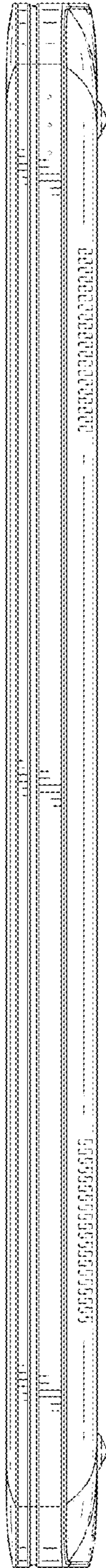


FIG. 3

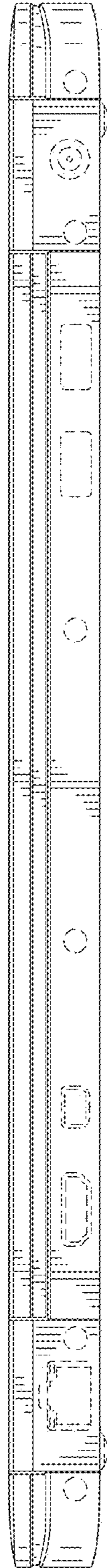


FIG. 4

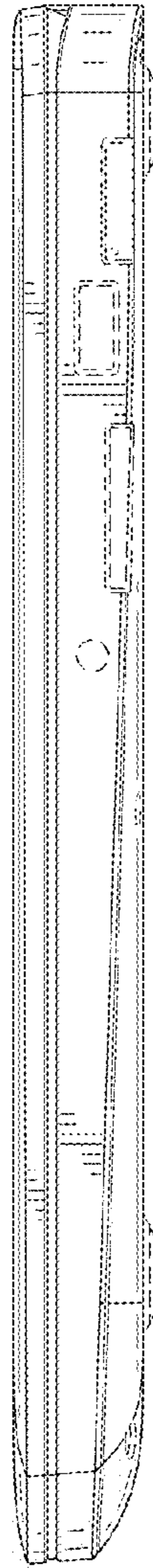


FIG. 5

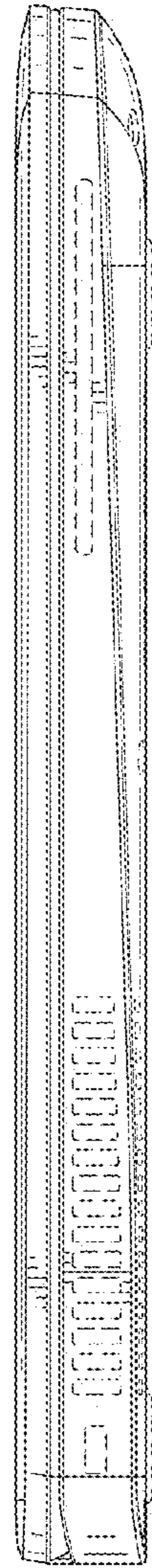


FIG. 6

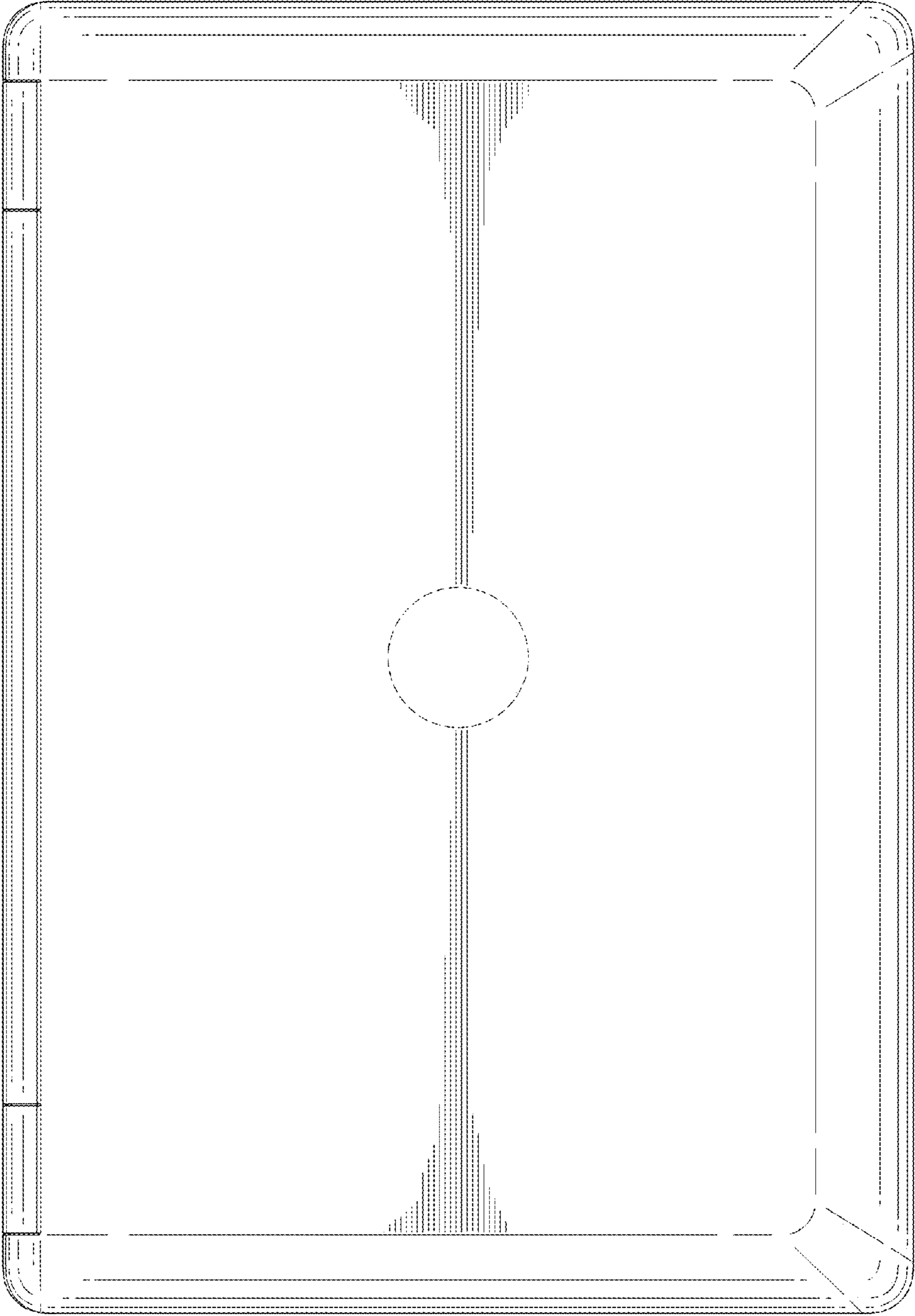
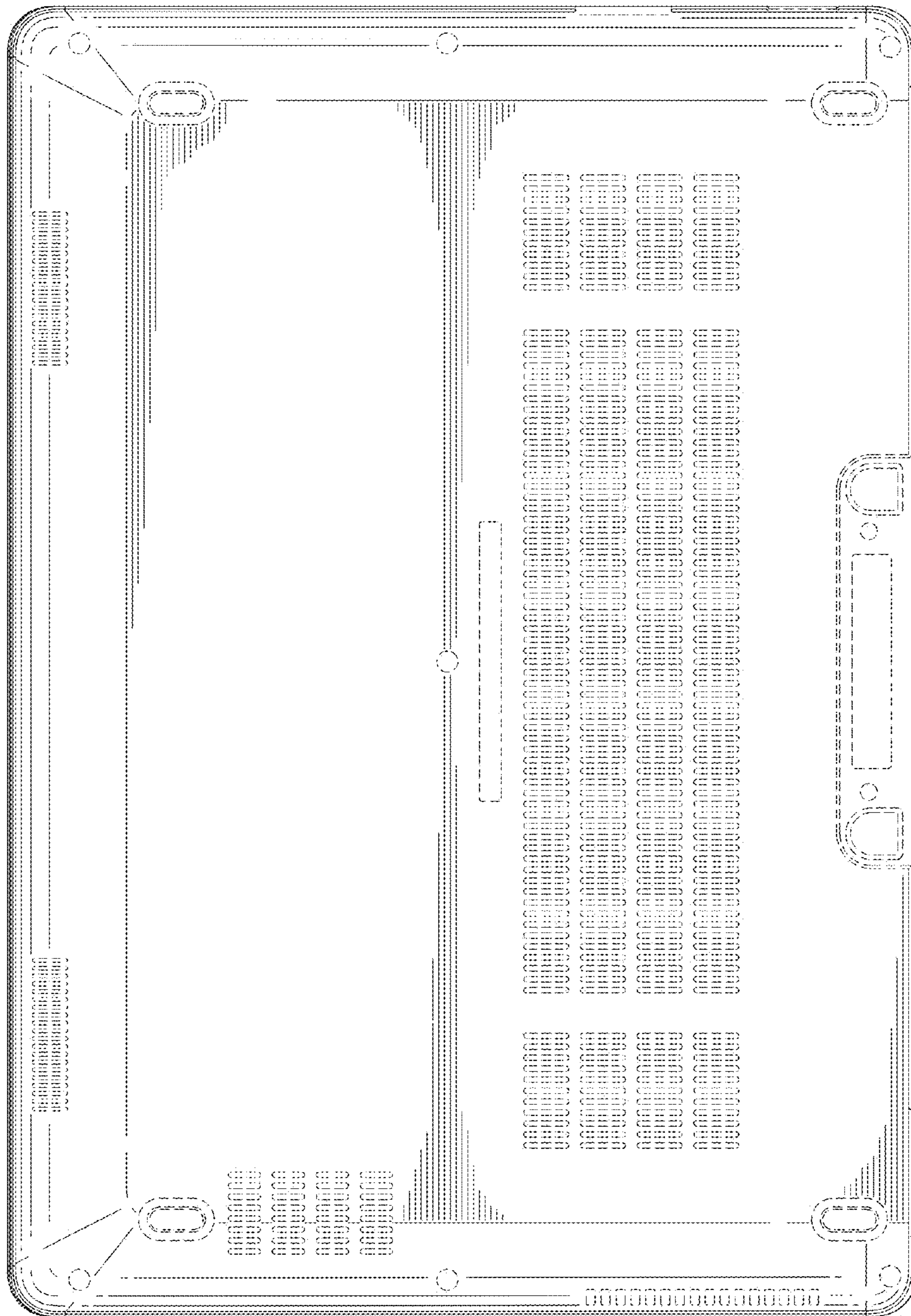


FIG. 7



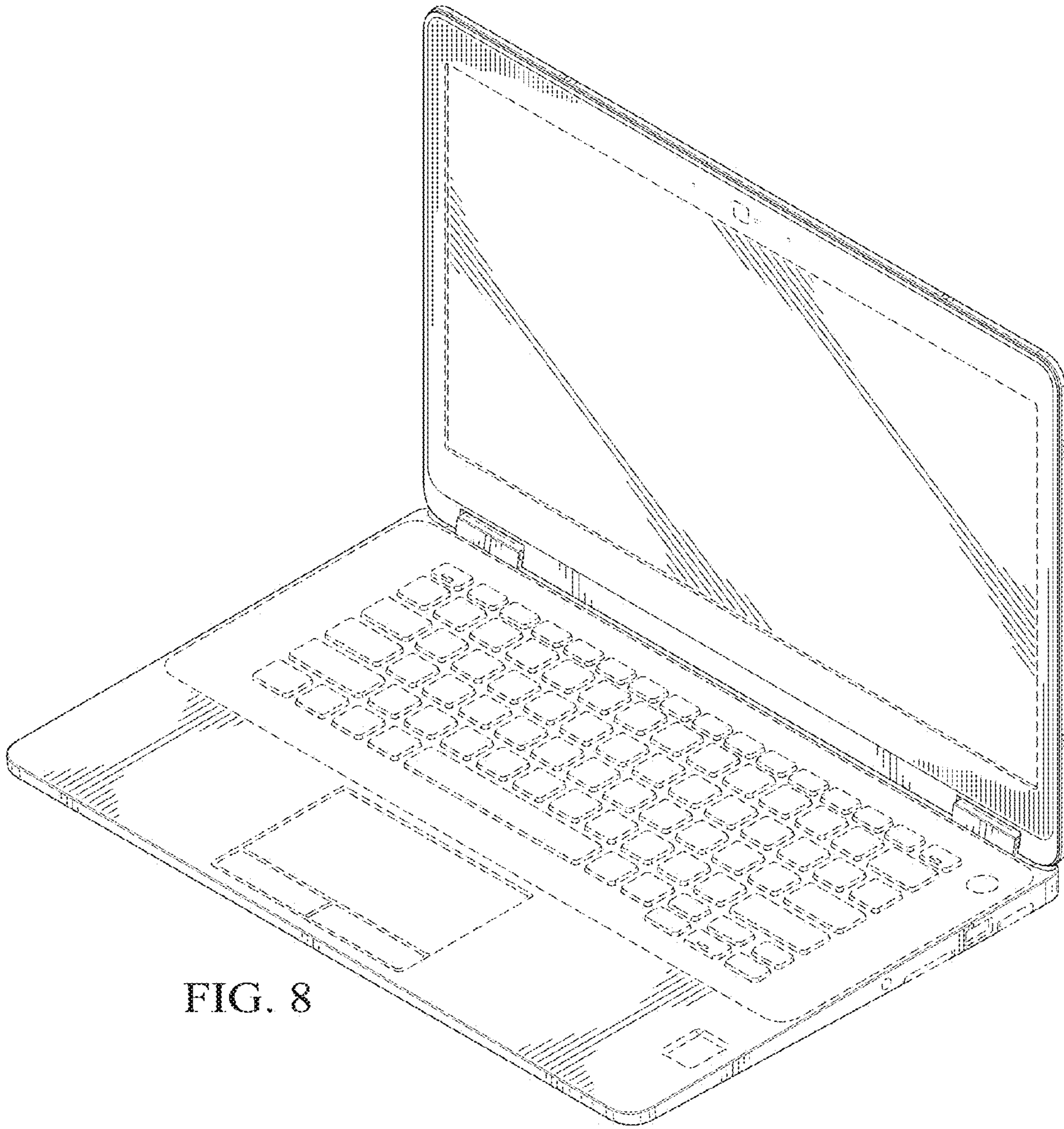


FIG. 8

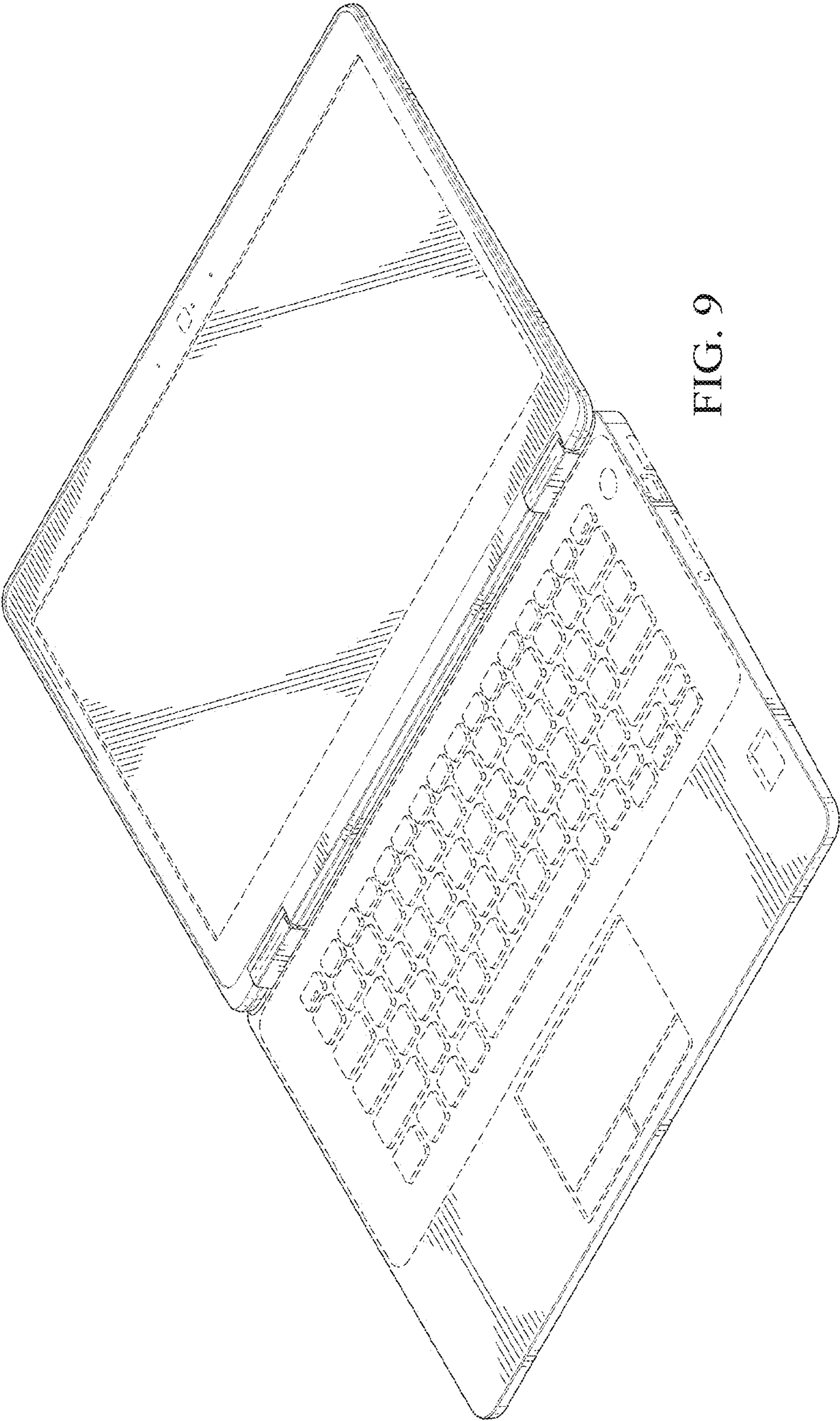


FIG. 9

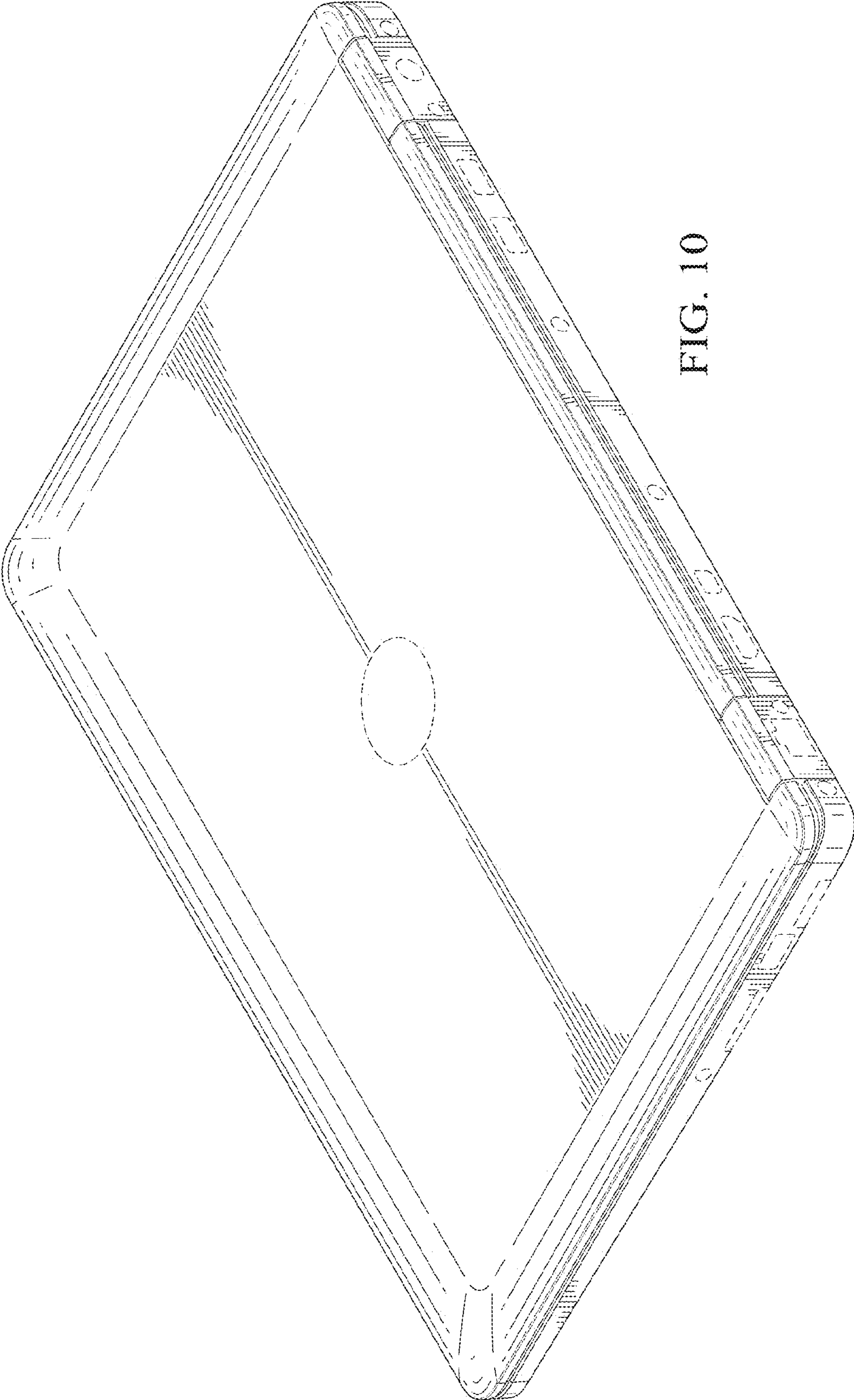


FIG. 10