

US00D756349S

(12) **United States Design Patent**  
**Lim et al.**

(10) **Patent No.:** **US D756,349 S**  
(45) **Date of Patent:** **\*\* May 17, 2016**

(54) **PORTABLE COMPUTING DEVICE WITH  
LOW PROFILE HINGE**

(71) Applicant: **Intel Corporation**, Santa Clara, CA  
(US)

(72) Inventors: **Min Suet Lim**, Penang (MY); **Bok Eng  
Cheah**, Penang (MY); **Howe Yin Loo**,  
Penang (MY); **Jackson Chung Peng  
Kong**, Tanjung Tokong (MY); **Poh Tat  
Oh**, Bayan Lepas (MY)

(73) Assignee: **Intel Corporation**, Santa Clara, CA  
(US)

(\*\*) Term: **14 Years**

(21) Appl. No.: **29/513,077**

(22) Filed: **Dec. 26, 2014**

(51) **LOC (10) Cl.** ..... **14-02**

(52) **U.S. Cl.**  
USPC ..... **D14/315**

(58) **Field of Classification Search**  
USPC ..... D14/315-327; D18/1, 2, 7, 11;  
235/145 A, 145 R; 341/22, 23; 345/104,  
345/156, 168, 169, 173; 361/679.08,  
361/679.09, 679.11, 679.26, 679.27  
CPC ..... G06F 1/16; G06F 1/1616; G06F 1/1626;  
G06F 1/1632; G06F 1/1613; G06F 1/1601;  
G06F 1/1618; G06F 1/162; G06F 1/1679;  
G06F 1/1681; G06F 1/1683; H01R 35/02;  
H03M 11/00; G09B 13/04; H03K 17/94;  
G09G 5/00; F16M 11/10; E05D 11/0081;  
E05D 3/10; E05D 11/082; E05Y 2900/606;  
H05K 5/0226; Y10T 16/52; Y10T 16/533;  
Y10T 16/547; Y10T 16/5385; Y10T 16/5472;  
Y10T 16/5476; Y10T 16/54038

See application file for complete search history.

(56) **References Cited**

U.S. PATENT DOCUMENTS

5,566,048 A \* 10/1996 Esterberg ..... G06F 1/1616  
16/307  
6,421,235 B2 \* 7/2002 Ditzik ..... G06F 1/1616  
320/114

(Continued)

*Primary Examiner* — Freda S Nunn

(74) *Attorney, Agent, or Firm* — Patent Capital Group

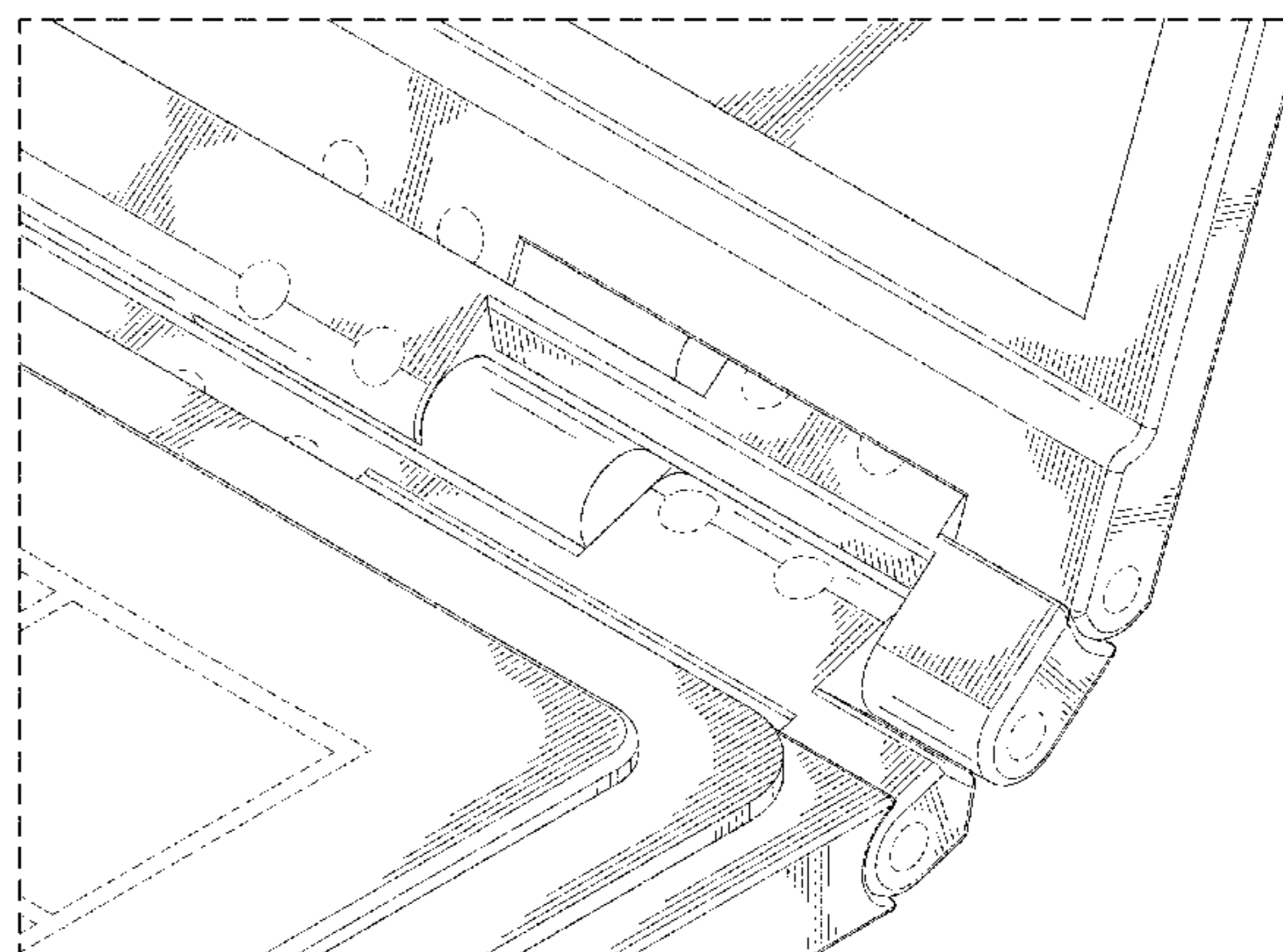
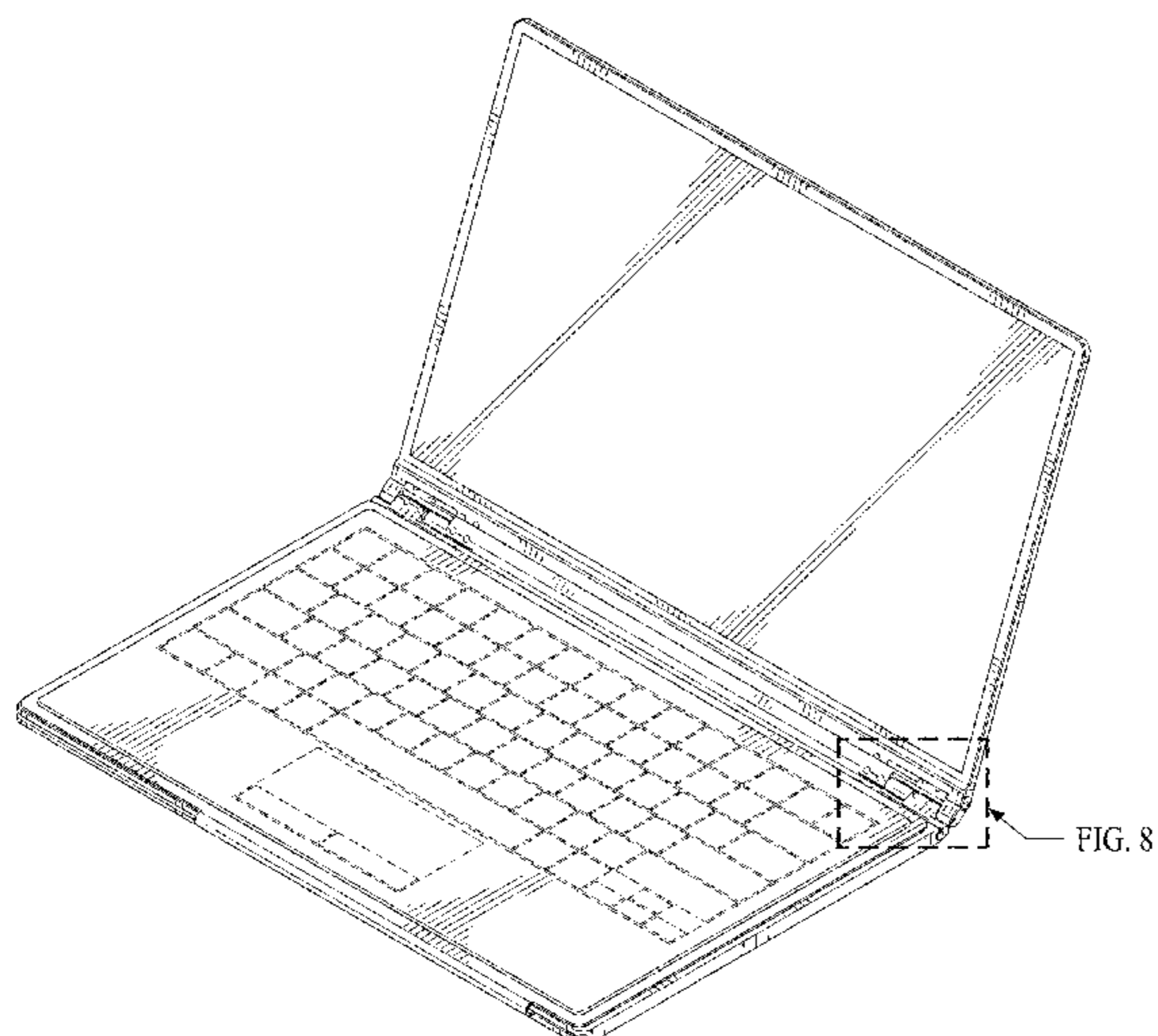
(57) **CLAIM**

The ornamental design for a portable computing device with  
low profile hinge, as shown and described.

**DESCRIPTION**

FIG. 1 is a perspective view of a portable computing device  
with low profile hinge in an open configuration;  
FIG. 2 is a front view thereof;  
FIG. 3 is a back view thereof;  
FIG. 4 is a side view thereof;  
FIG. 5 is another side view thereof;  
FIG. 6 is a top view thereof;  
FIG. 7 is a bottom view thereof;  
FIG. 8 is an enlarged perspective view of a portion of the  
hinge thereof as indicated in FIG. 1;  
FIG. 9 is a perspective view thereof in a closed configuration;  
FIG. 10 is a front view thereof;  
FIG. 11 is a back view thereof;  
FIG. 12 is a side view thereof;  
FIG. 13 is another side view thereof;  
FIG. 14 is a top view thereof;  
FIG. 15 is a bottom view thereof; and,  
FIG. 16 is an enlarged perspective view of a portion of the  
hinge thereof as indicated in FIG. 9.  
Broken lines shown in the drawings illustrate portions of the  
portable computing device and form no part of the claimed  
design.

**1 Claim, 14 Drawing Sheets**



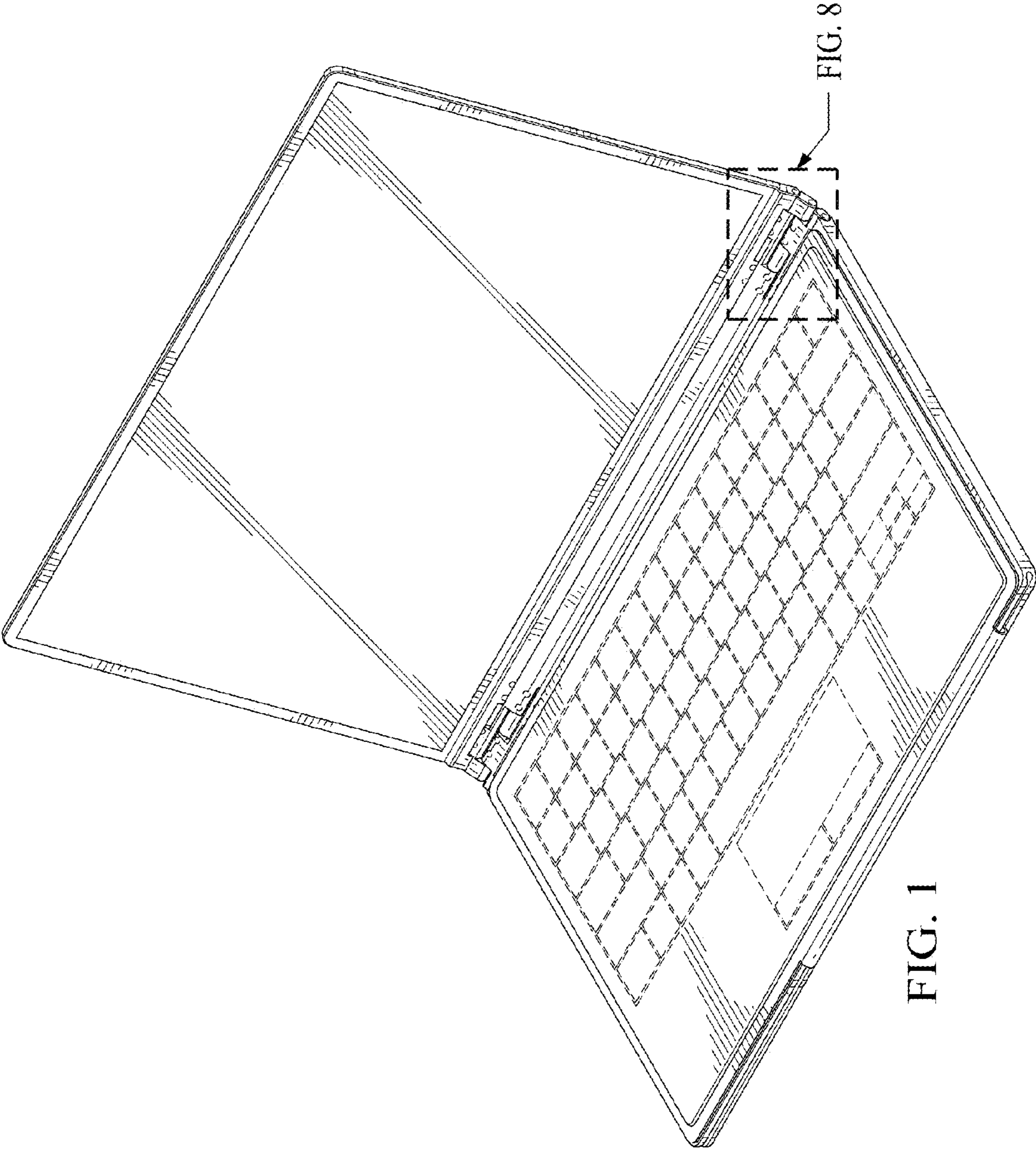
(56)

**References Cited**

U.S. PATENT DOCUMENTS

D516,065 S *	2/2006	Lee	.....	D14/317	D705,221 S *	5/2014	Hong	.....	D14/315
D517,542 S *	3/2006	Lee	.....	D14/318	8,875,348 B2 *	11/2014	Kossett	.....	G06F 1/1681
D591,283 S *	4/2009	Luminosu	.....	D14/318					16/342
D630,221 S *	1/2011	Sogabe	.....	D14/315	2006/0002068 A1 *	1/2006	Kim	.....	G06F 1/1616
8,059,393 B2 *	11/2011	Kobayashi	.....	G06F 1/1616					361/679.27
				312/223.2	2006/0146488 A1 *	7/2006	Kimmel	.....	G06F 1/1616
D664,953 S *	8/2012	Hung	.....	D14/327					361/679.04
					2006/0282985 A1 *	12/2006	Lu	.....	G06F 1/1679
									16/367

\* cited by examiner



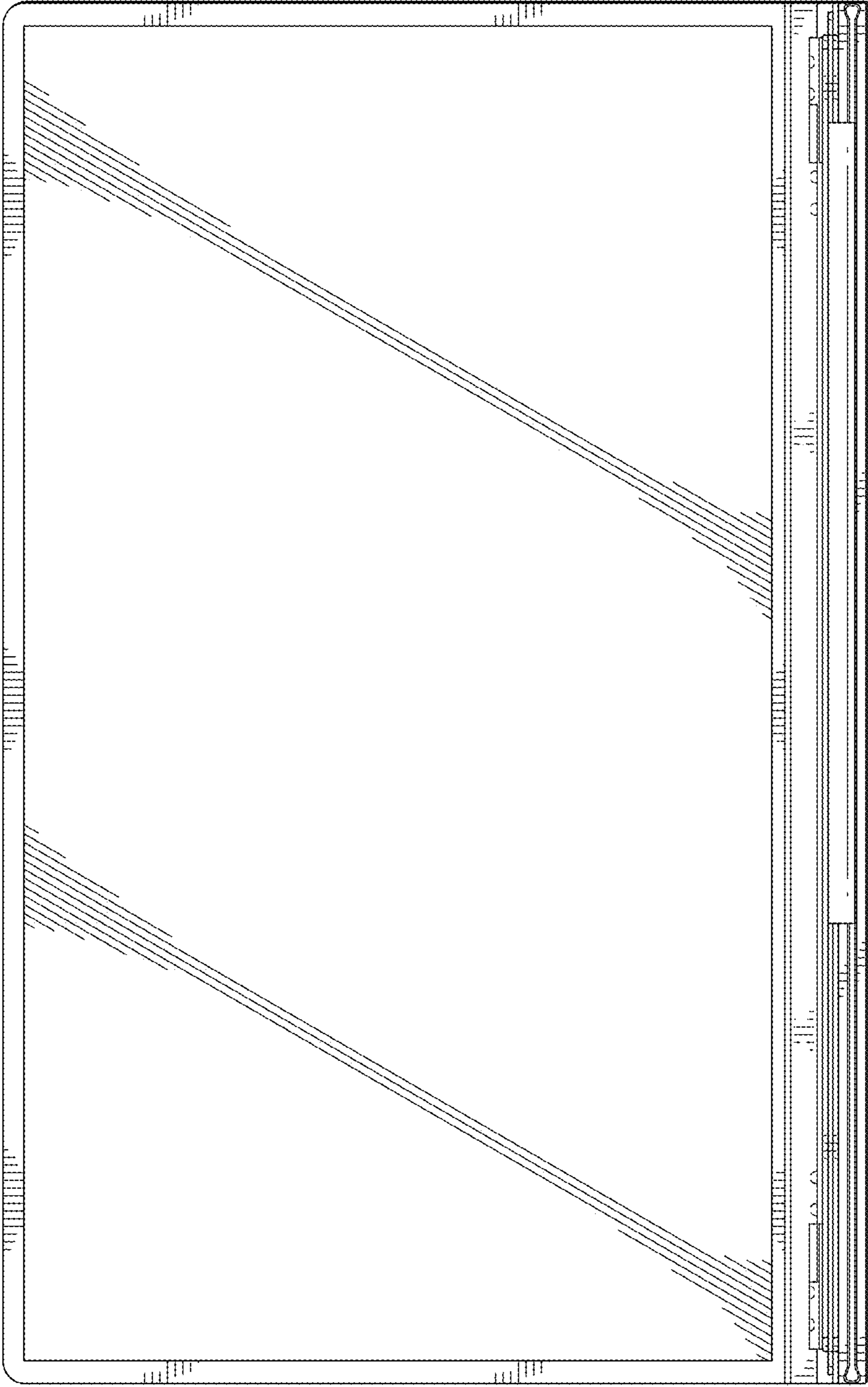


FIG. 2

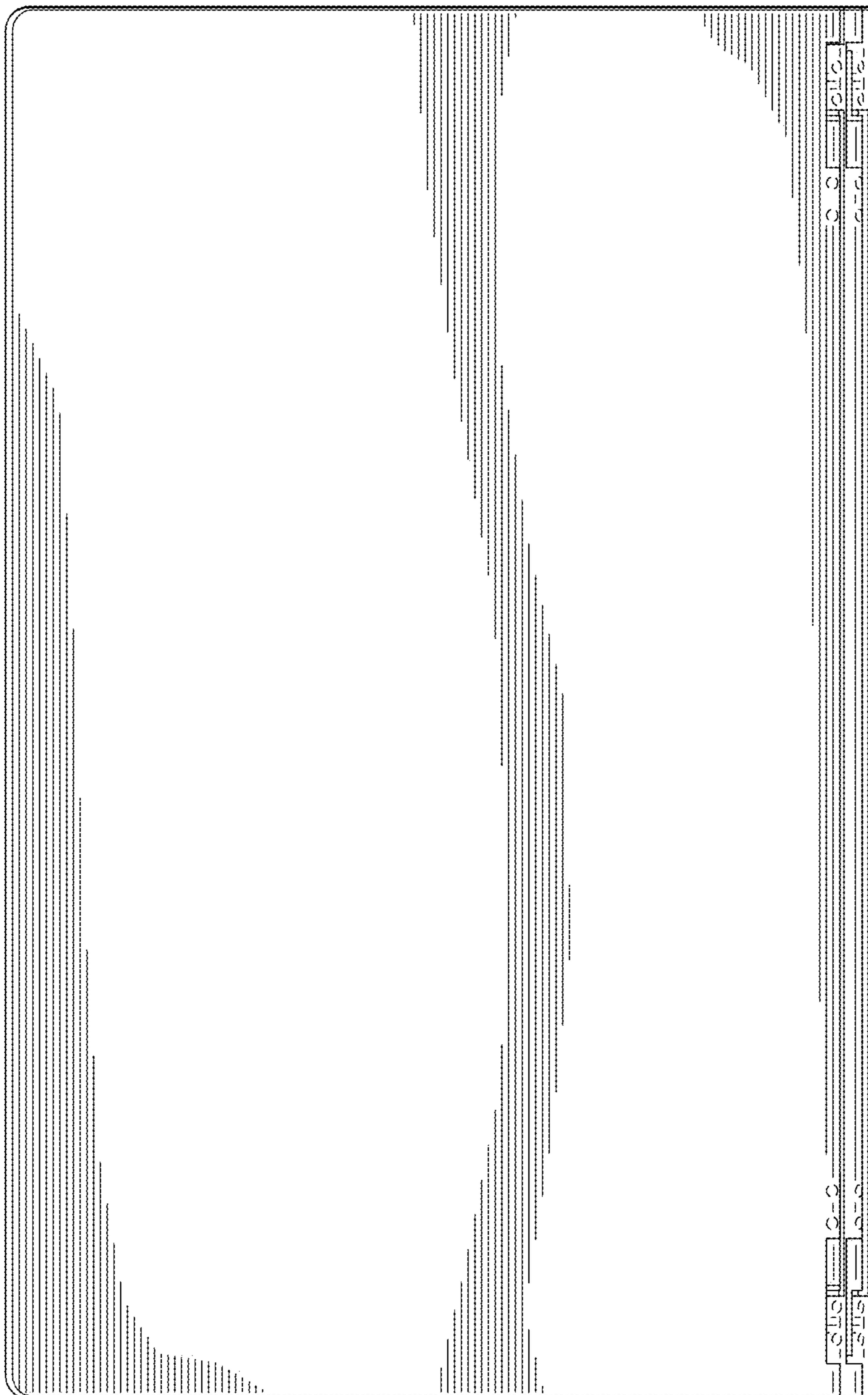


FIG. 3

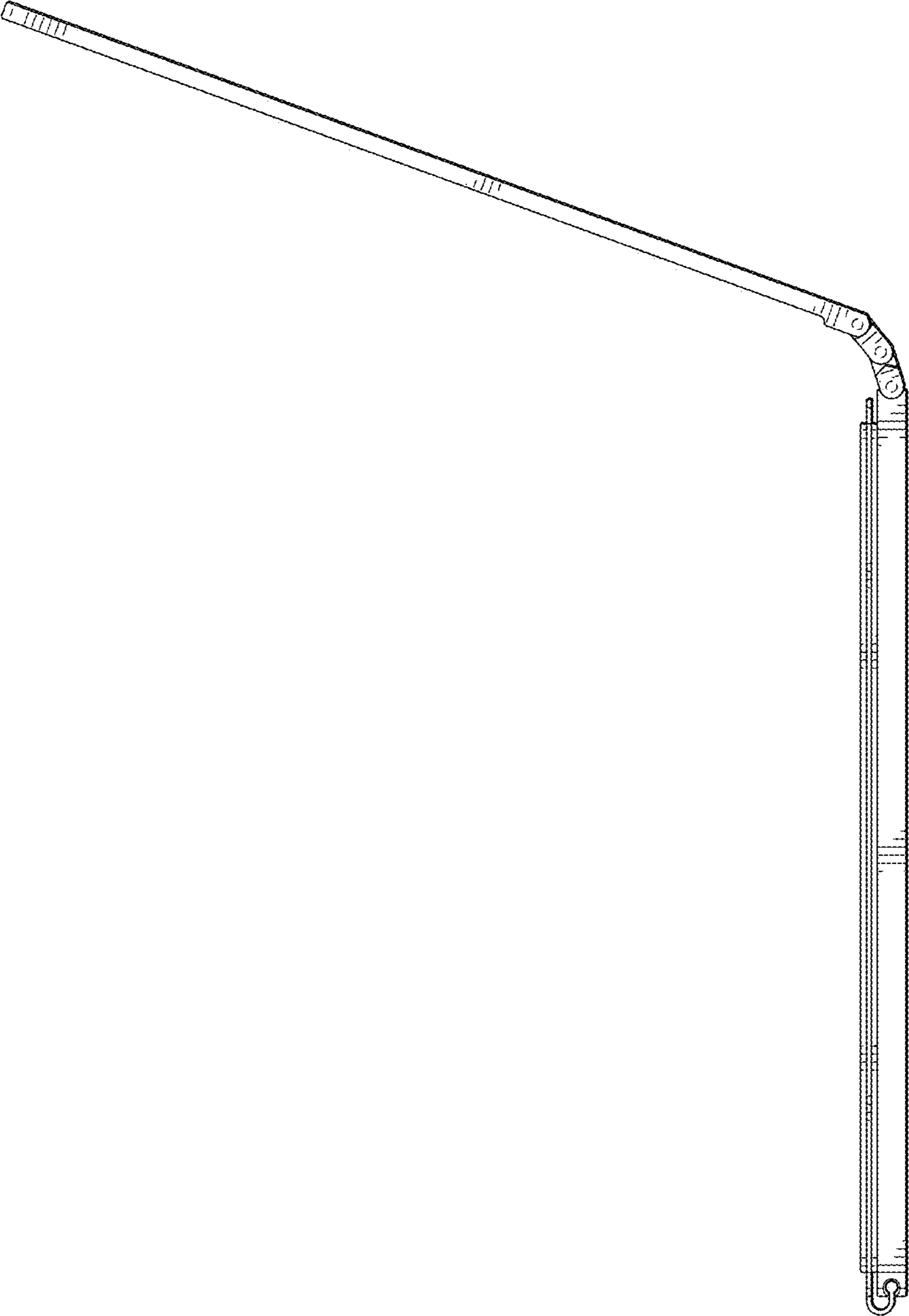


FIG. 4

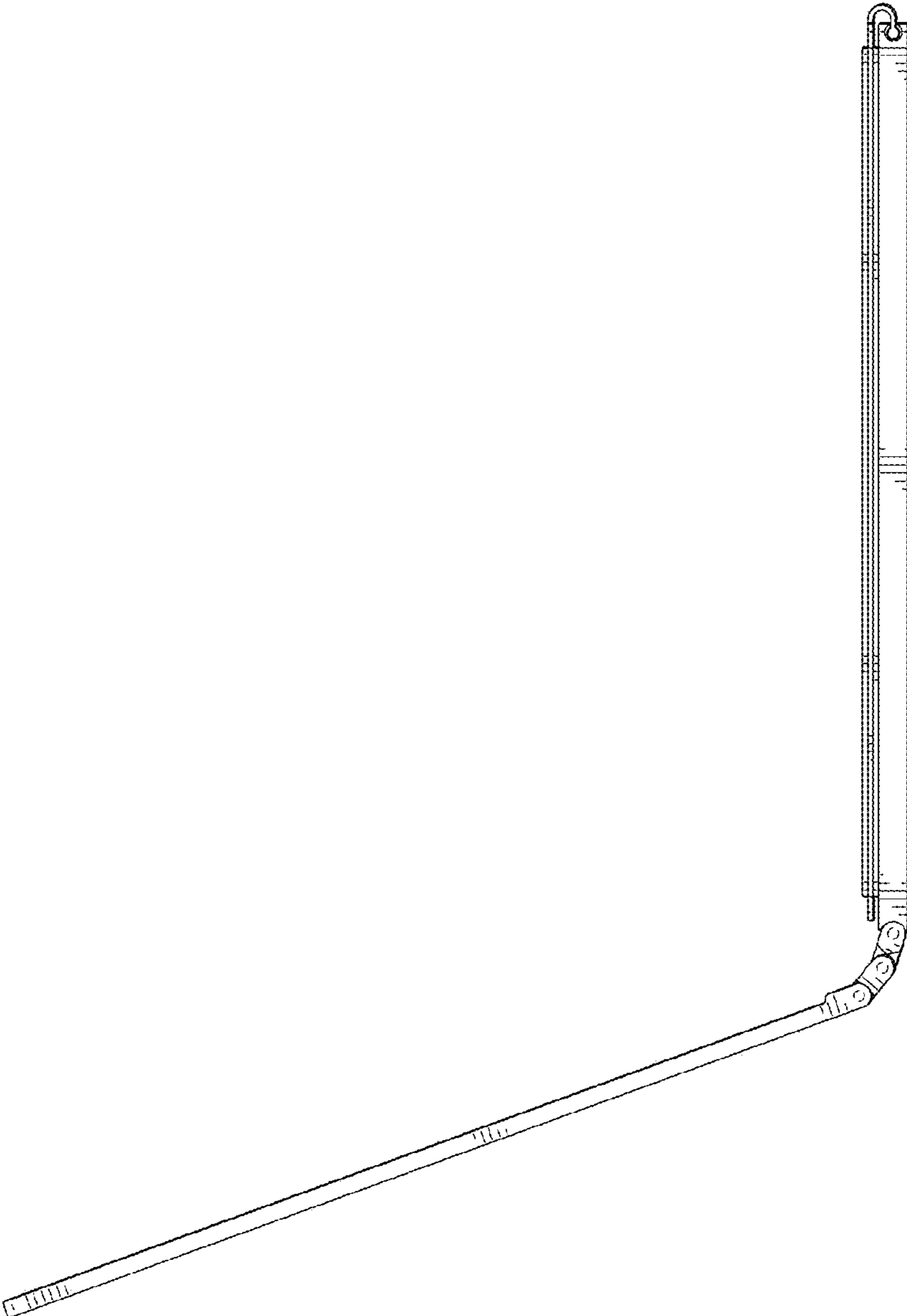


FIG. 5

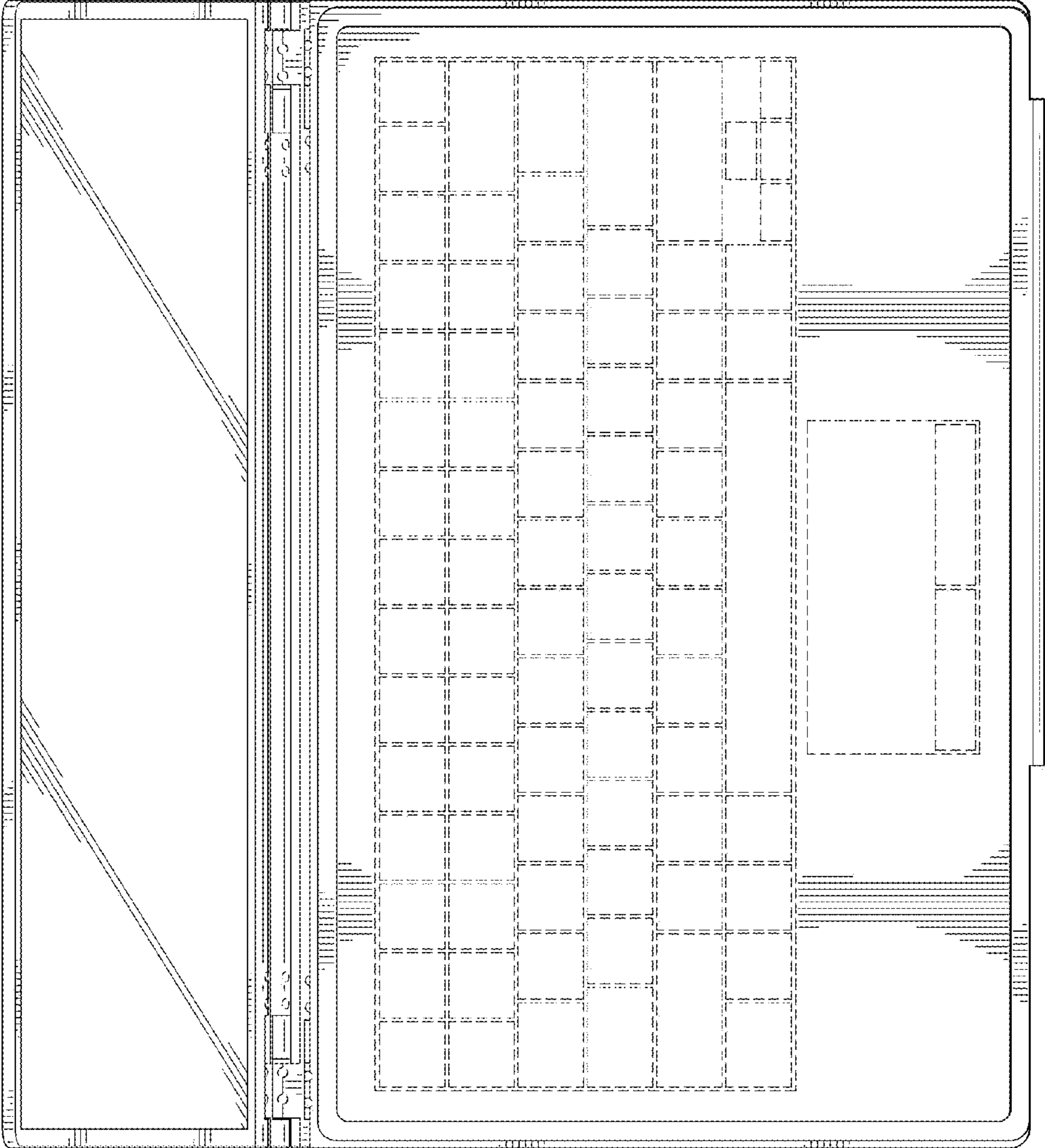


FIG. 6



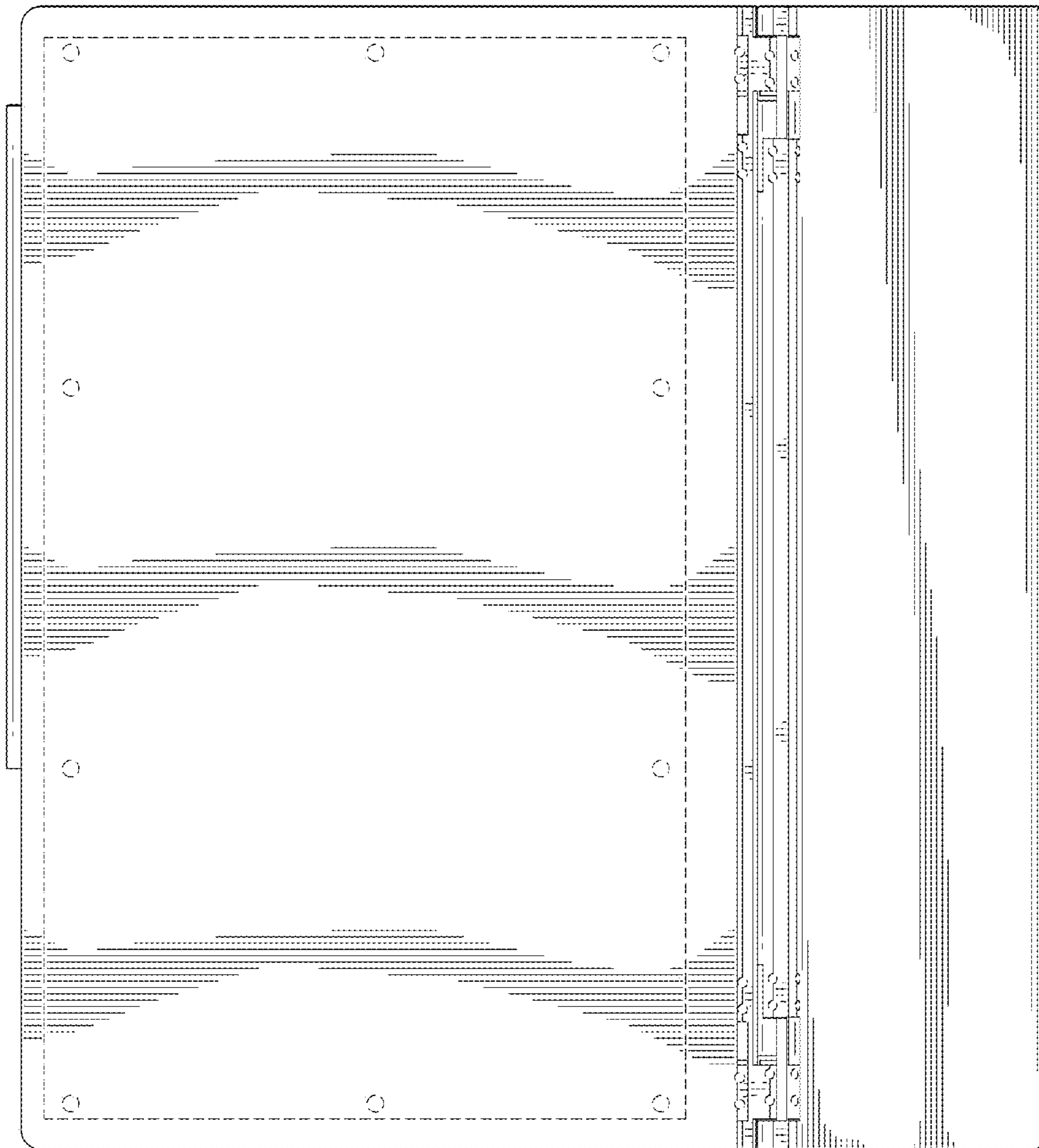


FIG. 7

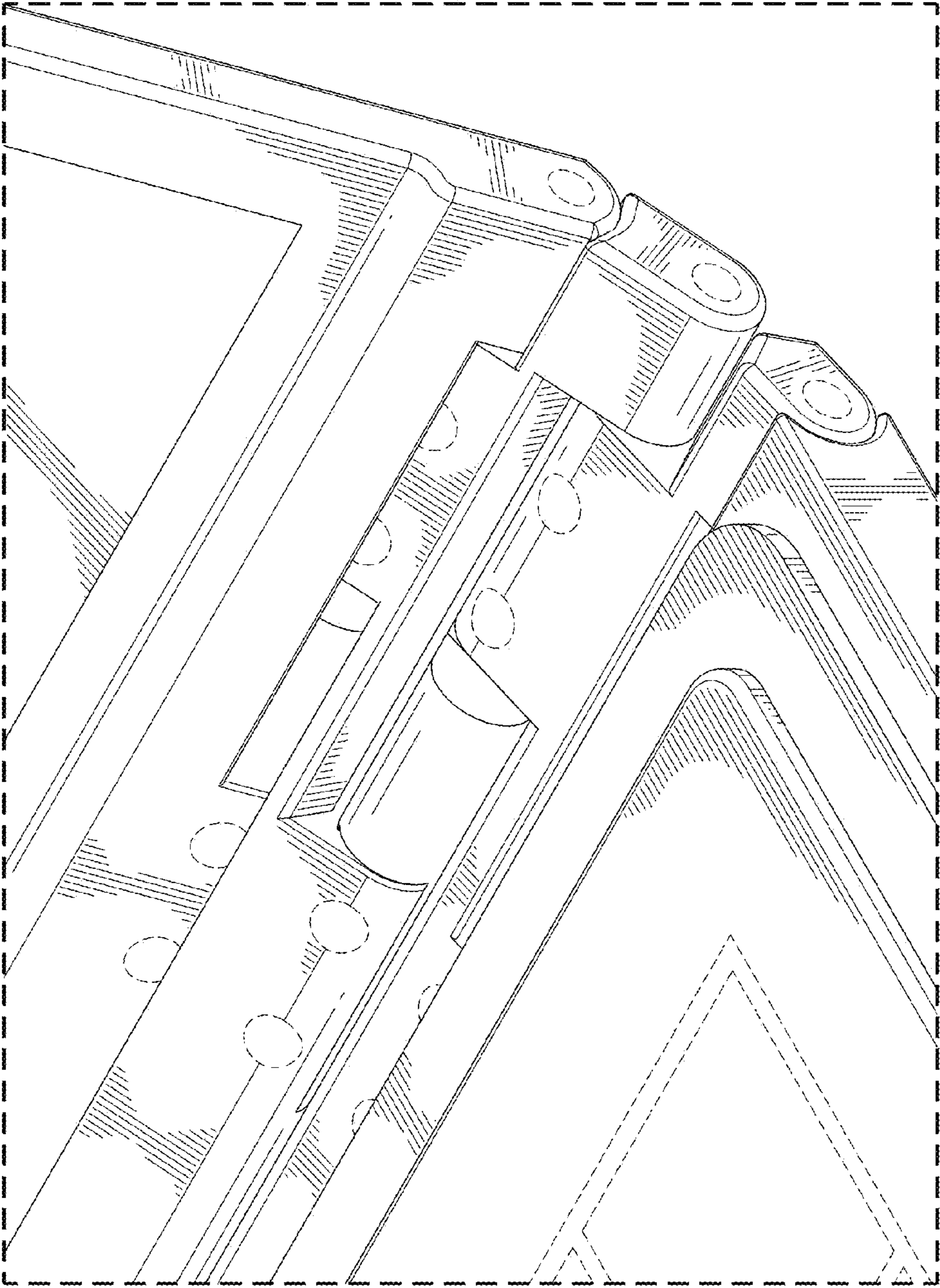
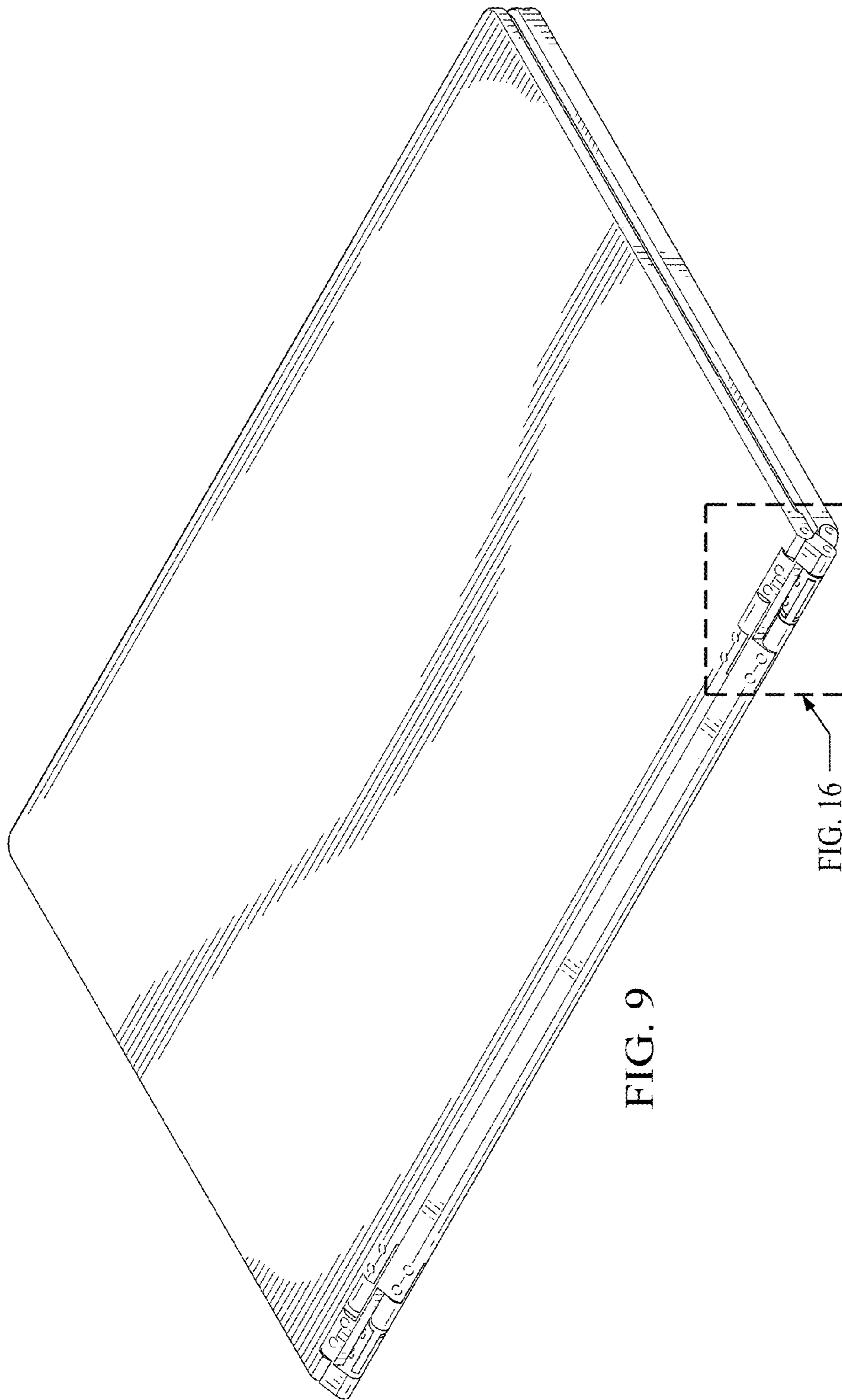


FIG. 8



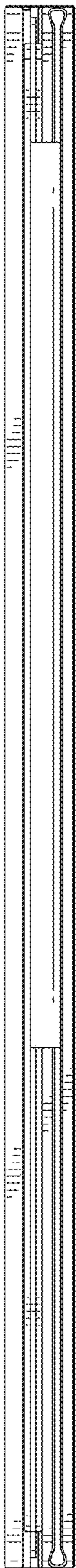


FIG. 10

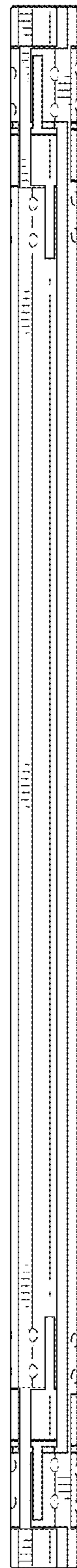


FIG. 11

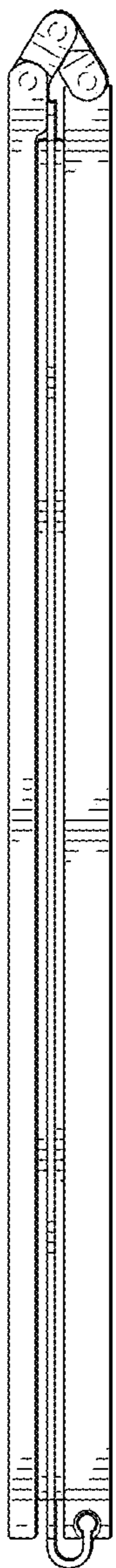


FIG. 12



FIG. 13

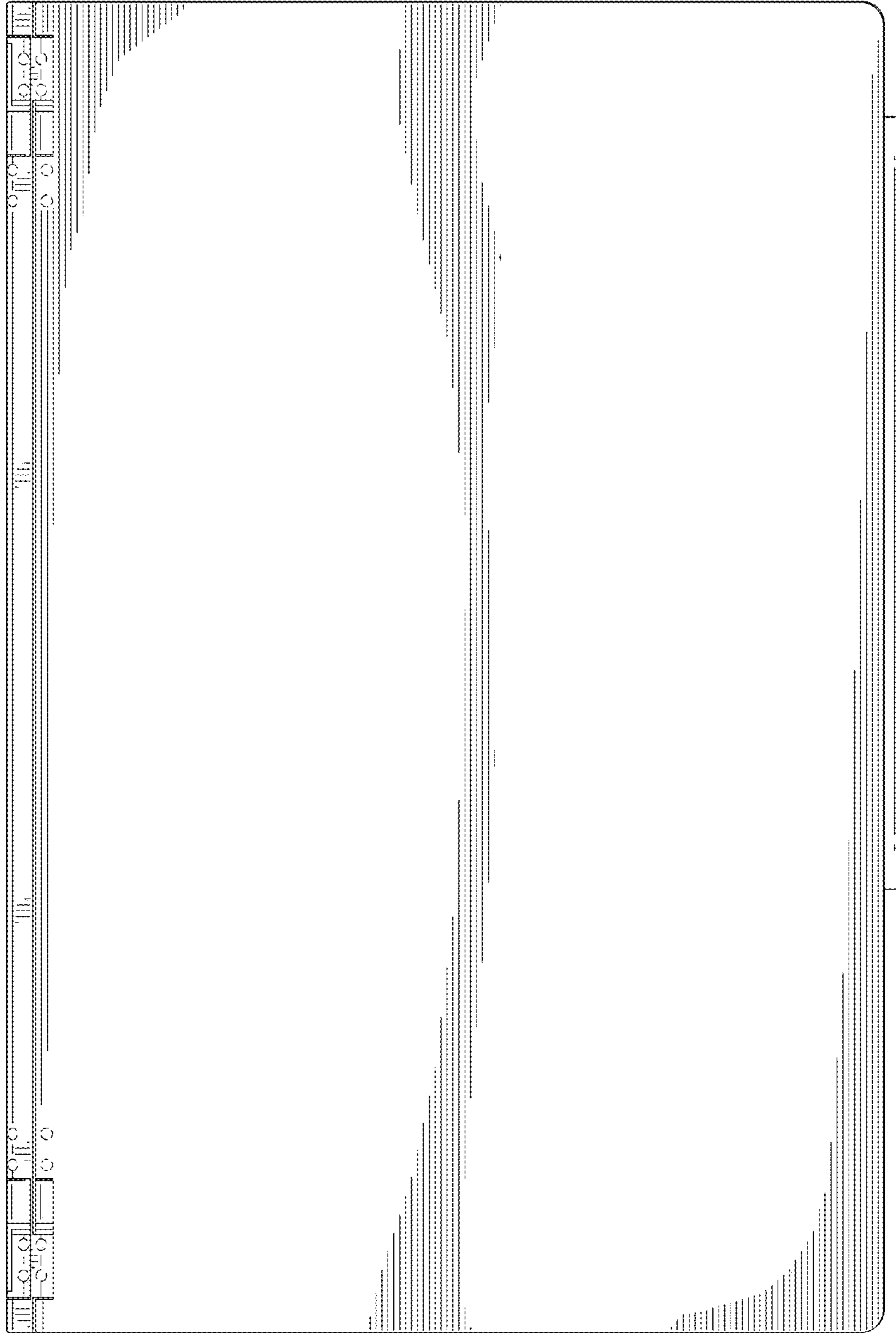


FIG. 14

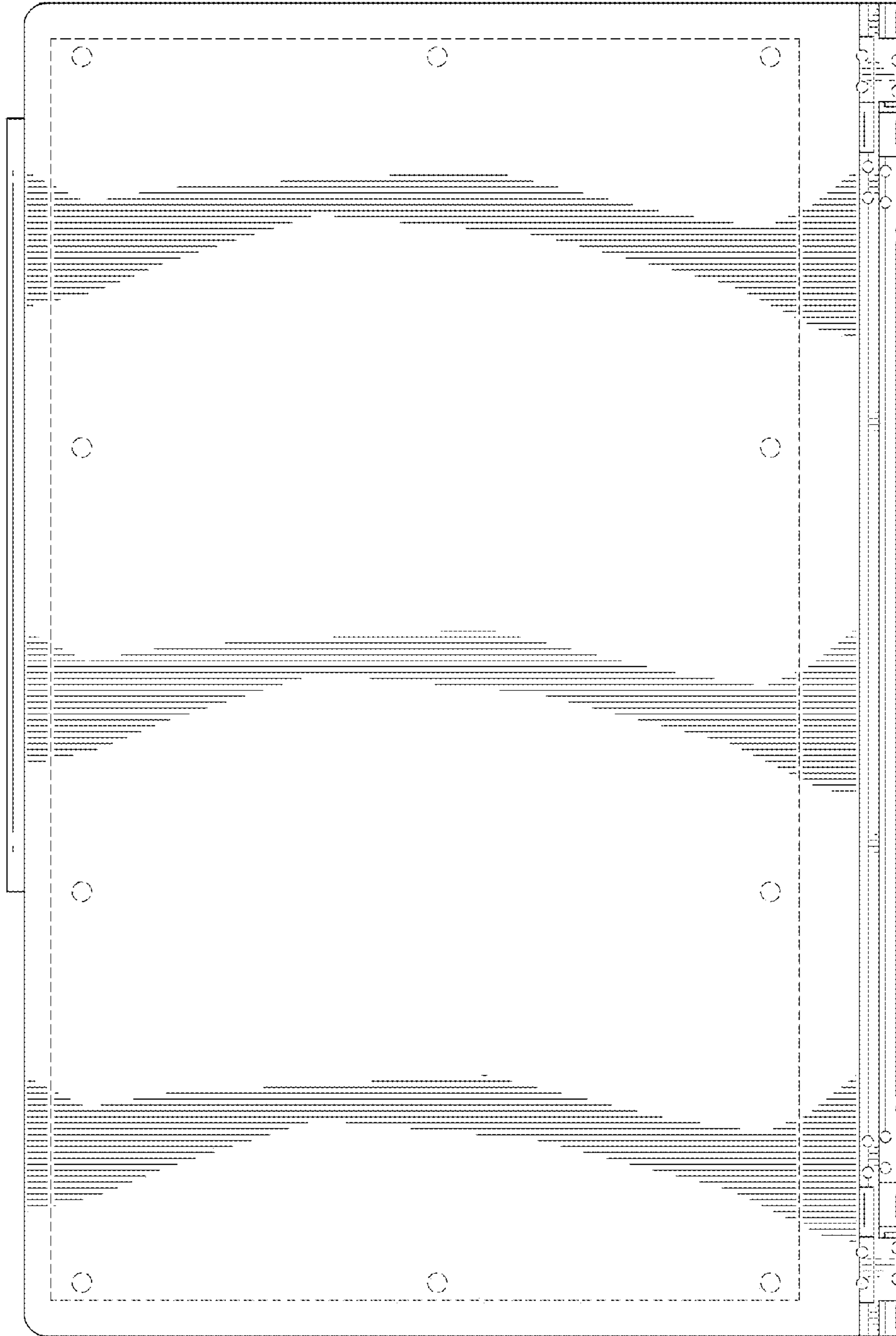


FIG. 15

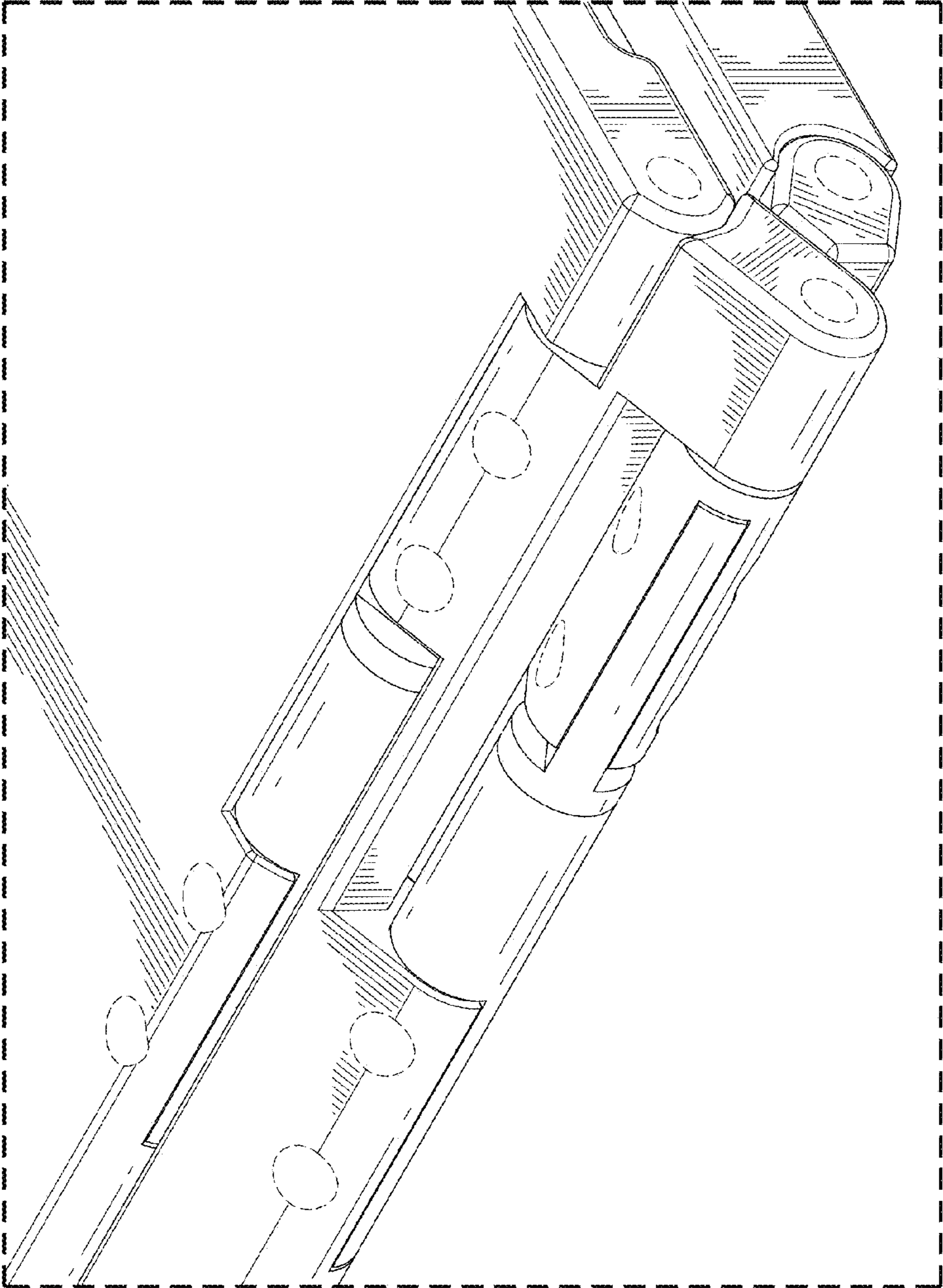


FIG. 16