



US00D756340S

(12) **United States Design Patent**
Babichenko

(10) **Patent No.:** **US D756,340 S**

(45) **Date of Patent:** **** May 17, 2016**

(54) **MOBILE PHONE CASE**

(71) Applicant: **Sahara Case LLC**, Boise, ID (US)

(72) Inventor: **Pavel Babichenko**, Boise, ID (US)

(73) Assignee: **Sahara Care, LLC**, Boise, ID (US)

(**) Term: **14 Years**

(21) Appl. No.: **29/468,936**

(22) Filed: **Oct. 4, 2013**

(51) **LOC (10) Cl.** **14-03**

(52) **U.S. Cl.**
USPC **D14/250**

(58) **Field of Classification Search**
USPC D14/250–253, 440, 203.3–203.7, 217,
D14/496, 248, 238.1, 240, 447; D3/201,
D3/218, 269, 301, 273, 303; D13/103,
D13/107–108; 220/4.02; 248/309.1;
361/679.56; 379/426, 433.11, 455;
455/575.1, 575.8; 190/100; 206/305,
206/320
CPC A45C 2011/002; A45C 11/00; A45C
13/002; A45C 2011/003; H04M 1/0283;
H04M 1/0202

See application file for complete search history.

(56) **References Cited**

U.S. PATENT DOCUMENTS

D638,828 S	5/2011	Melanson et al.	
D638,829 S	5/2011	Melanson et al.	
D646,671 S	* 10/2011	Fathollahi	D14/250
D647,518 S	* 10/2011	Fathollahi	D14/250
D647,519 S	10/2011	Rothbaum et al.	
D676,845 S	* 2/2013	Melanson et al.	D14/250
D677,251 S	* 3/2013	Melanson et al.	D14/250
D680,522 S	4/2013	Melanson	
D681,020 S	* 4/2013	Magness et al.	D14/238.1
D681,613 S	* 5/2013	Magness et al.	D14/238.1
D681,623 S	* 5/2013	Chang et al.	D14/250
D712,386 S	* 9/2014	Lu	D14/250

D714,274 S	* 9/2014	Jung et al.	D14/250
D717,781 S	* 11/2014	Kim	D14/250
D721,067 S	* 1/2015	Su et al.	D14/250
D721,358 S	* 1/2015	Pickett et al.	D14/250
D721,691 S	* 1/2015	Kim et al.	D14/250
D724,070 S	* 3/2015	Su et al.	D14/250
8,973,752 B2	* 3/2015	Johnson et al.	206/316.2

* cited by examiner

Primary Examiner — Carla Jobe Wright

Assistant Examiner — Holly E Thurman

(74) *Attorney, Agent, or Firm* — Law Office of Ilya Libenzon

(57) **CLAIM**

The ornamental design for a mobile phone case, as shown and described.

DESCRIPTION

FIG. 1 is a front perspective view of the mobile phone case comprising an outer cover and inner cover showing our new design; FIG. 1 shows only the outer cover for clarity of disclosure;

FIG. 2 is a front perspective view of FIG. 1 showing the outer cover and inner cover in an assembled state;

FIG. 3 is a front view of FIG. 1 showing the outer cover only for clarity of disclosure;

FIG. 4 is a rear view thereof;

FIG. 5 is a right side view thereof;

FIG. 6 is a left side view thereof;

FIG. 7 is a top view thereof;

FIG. 8 is a bottom view thereof;

FIG. 9 is a front perspective view of FIG. 2 thereof, showing only the inner cover for clarity of disclosure;

FIG. 10 is a front view thereof;

FIG. 11 is a rear view thereof;

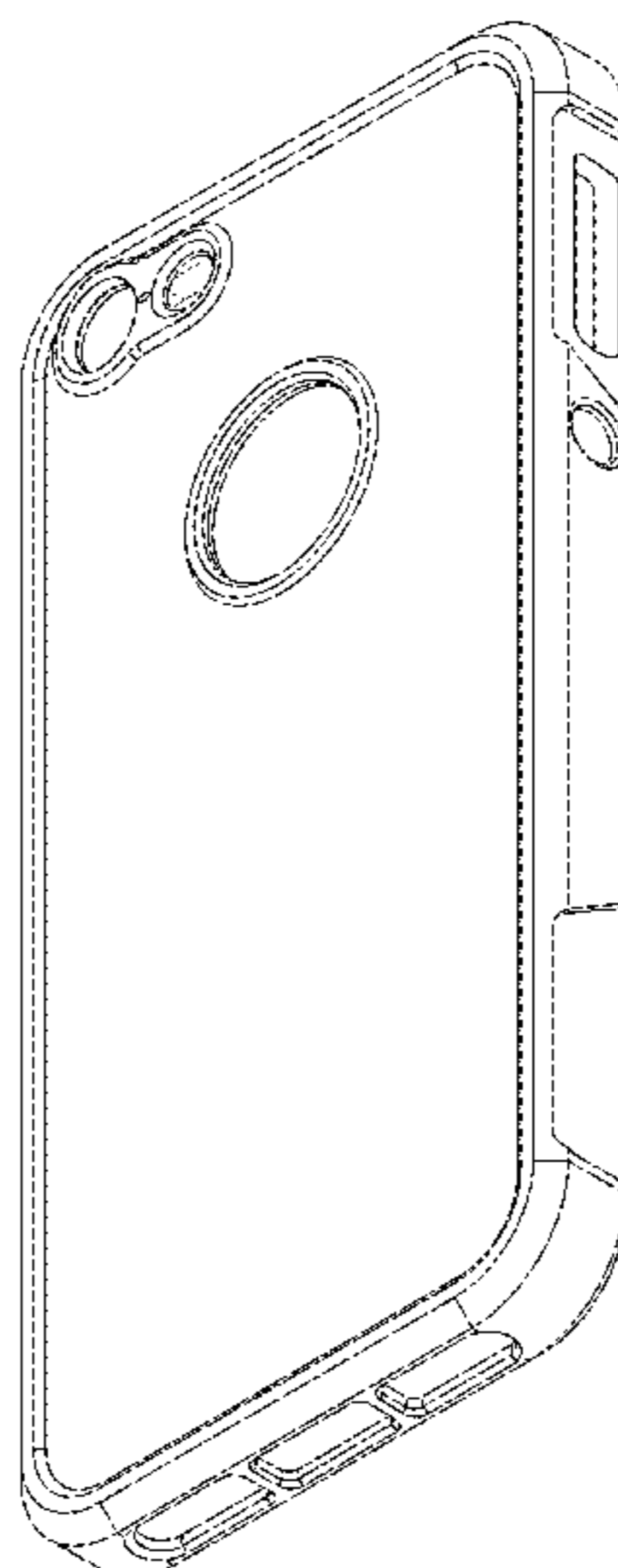
FIG. 12 is a right side view thereof;

FIG. 13 is a left side view thereof;

FIG. 14 is a top view thereof; and,

FIG. 15 is a bottom view thereof.

1 Claim, 11 Drawing Sheets



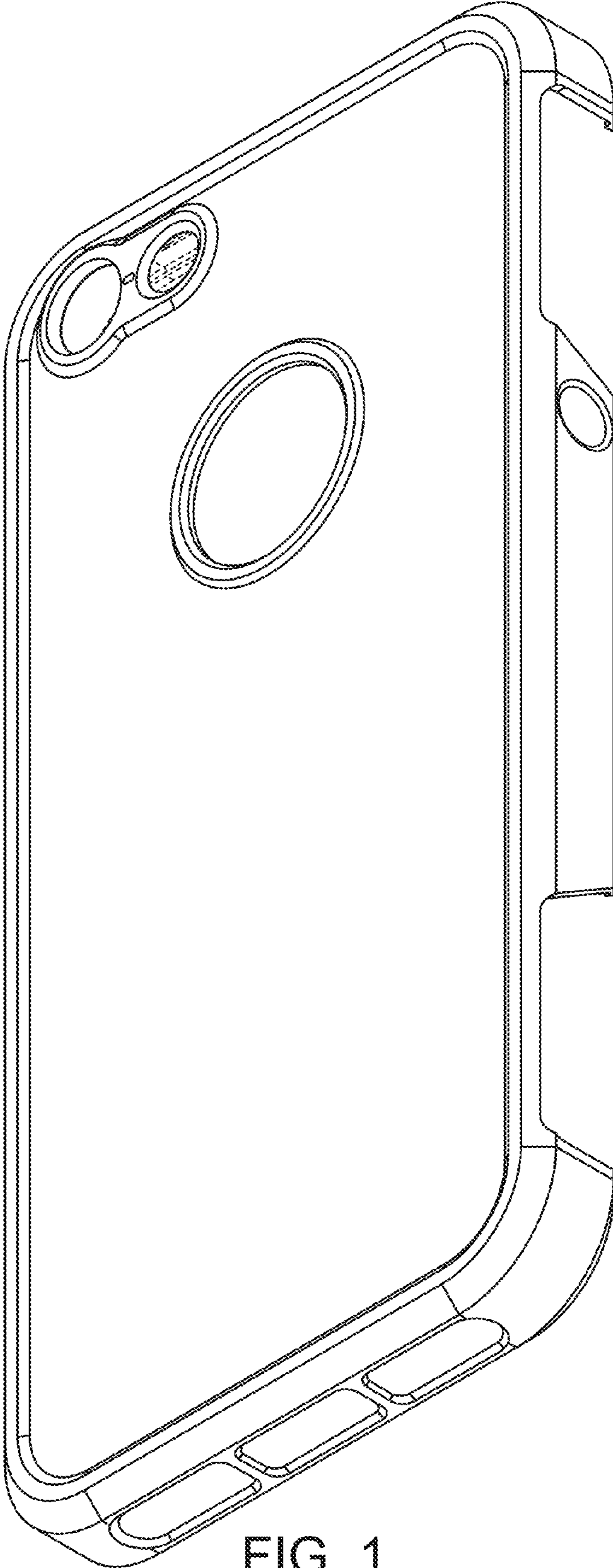


FIG. 1

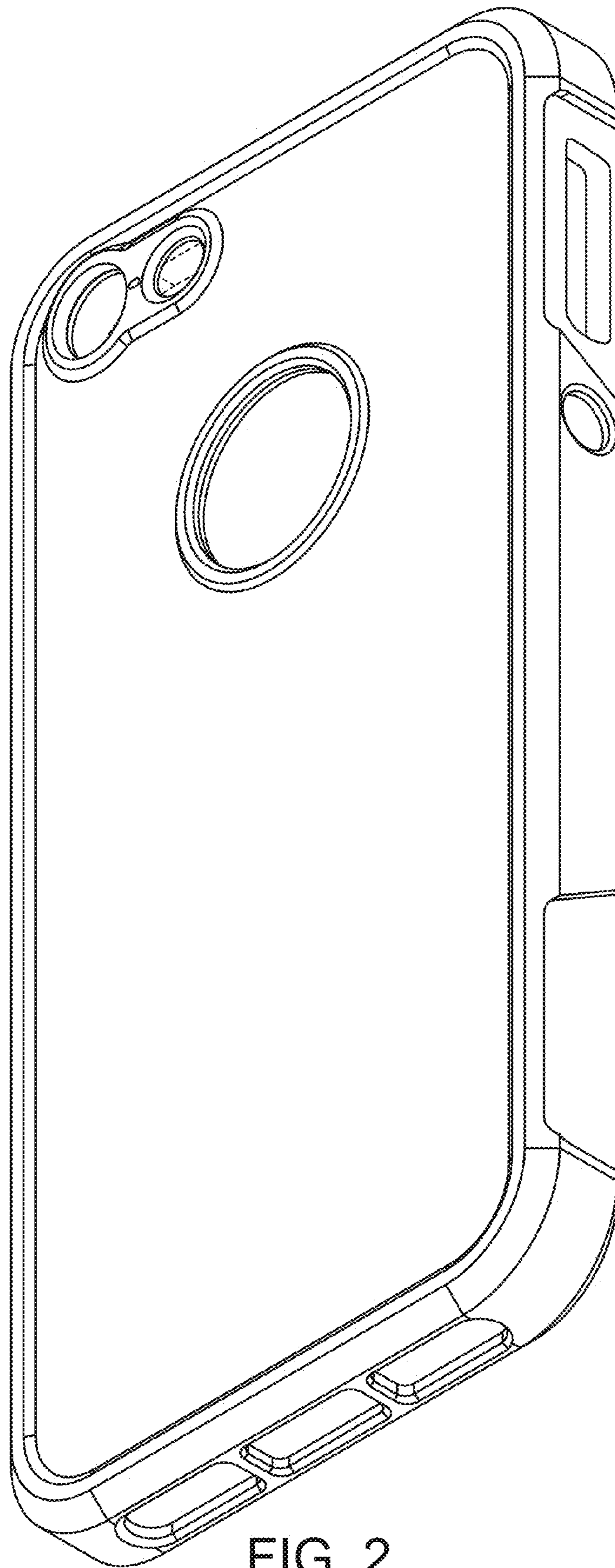


FIG. 2

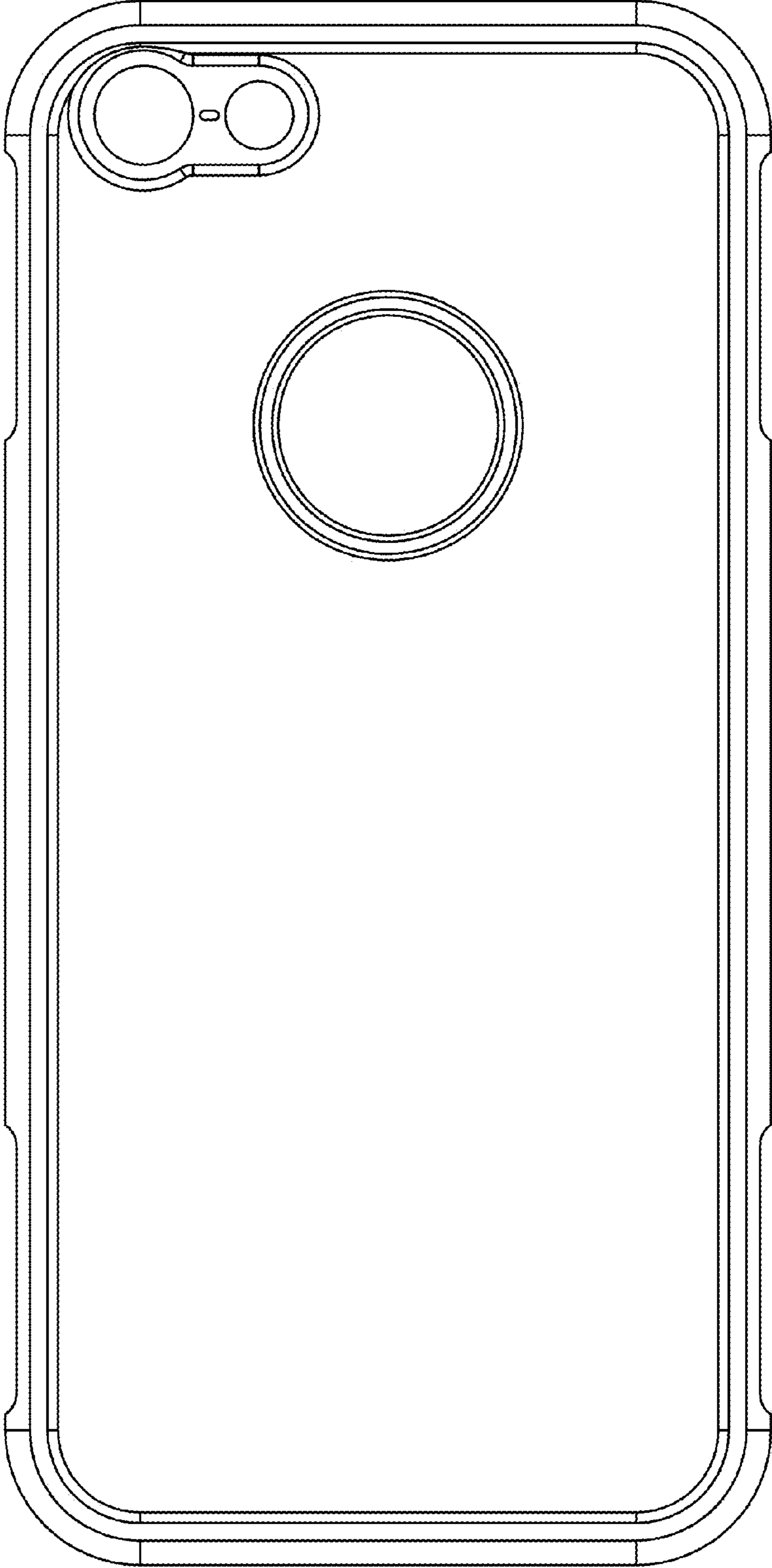


FIG. 3

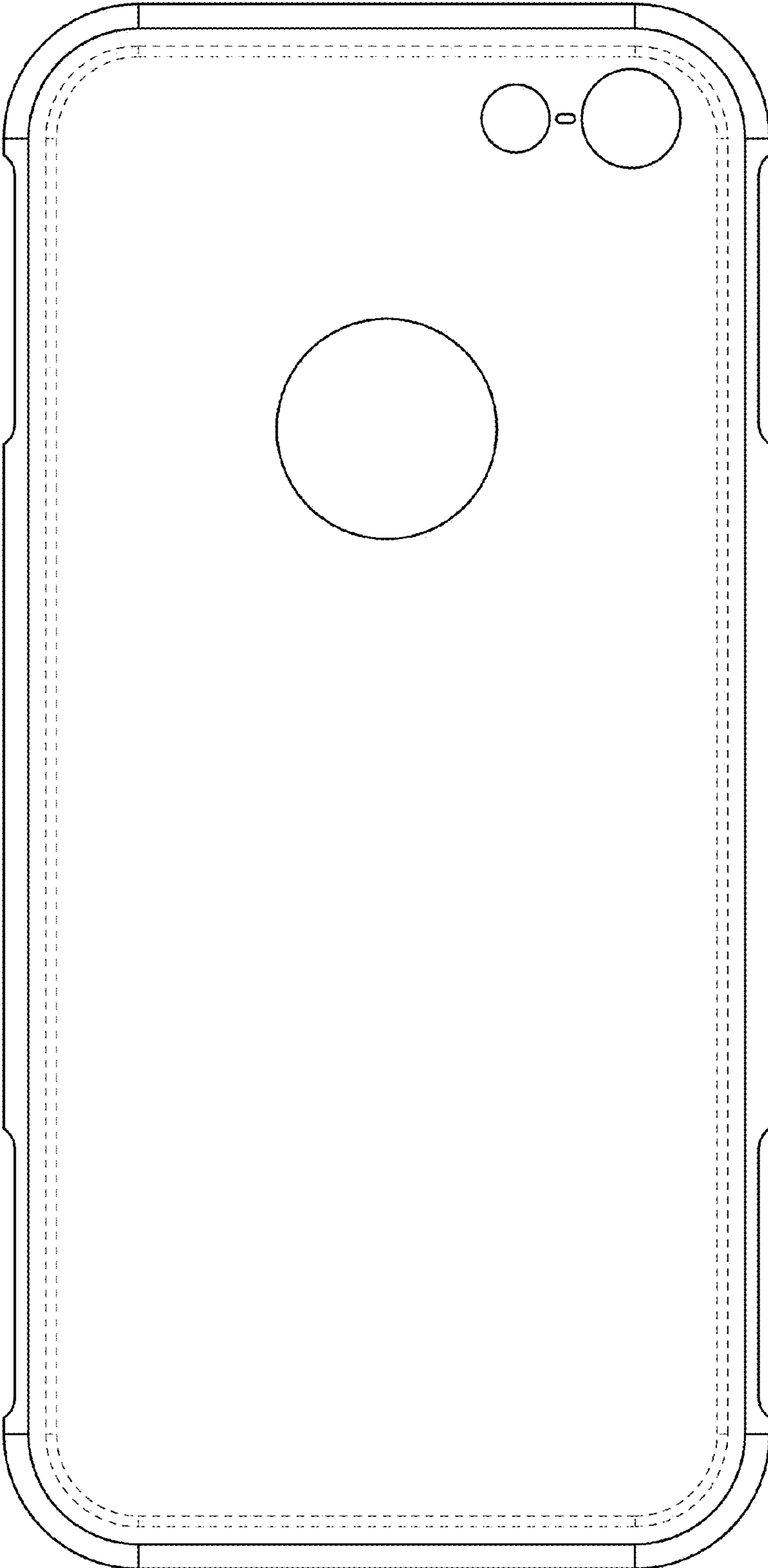


FIG. 4

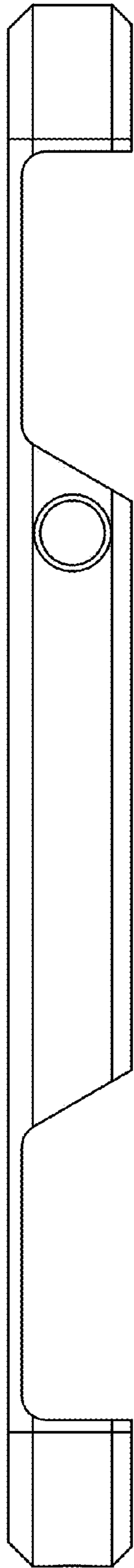


FIG. 5

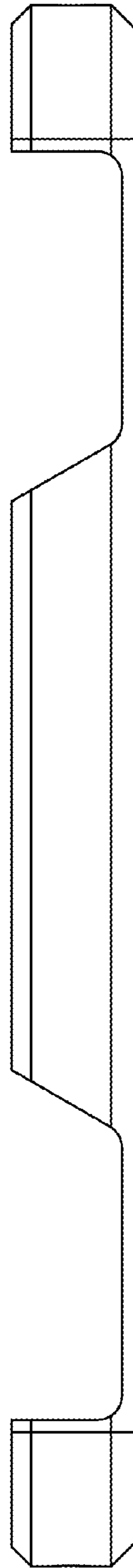


FIG. 6

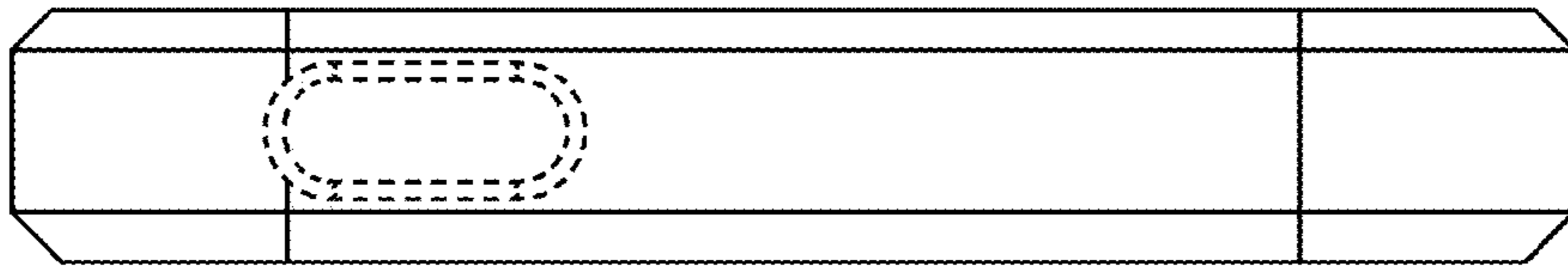


FIG. 7

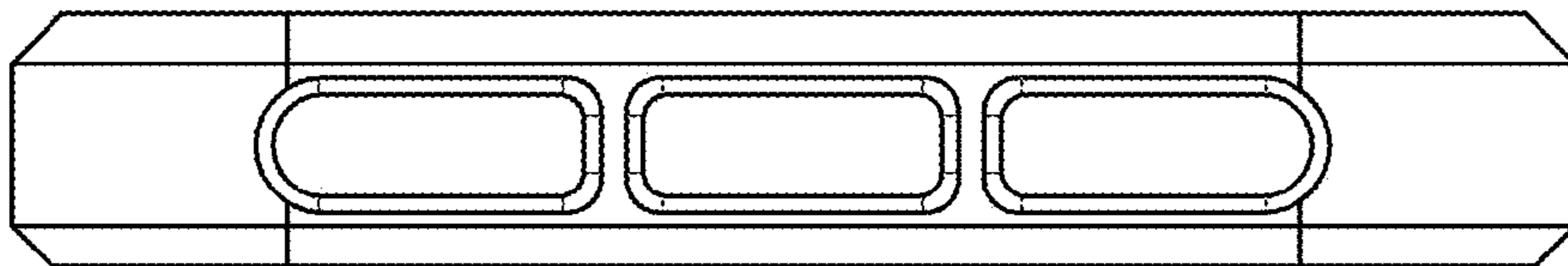


FIG. 8

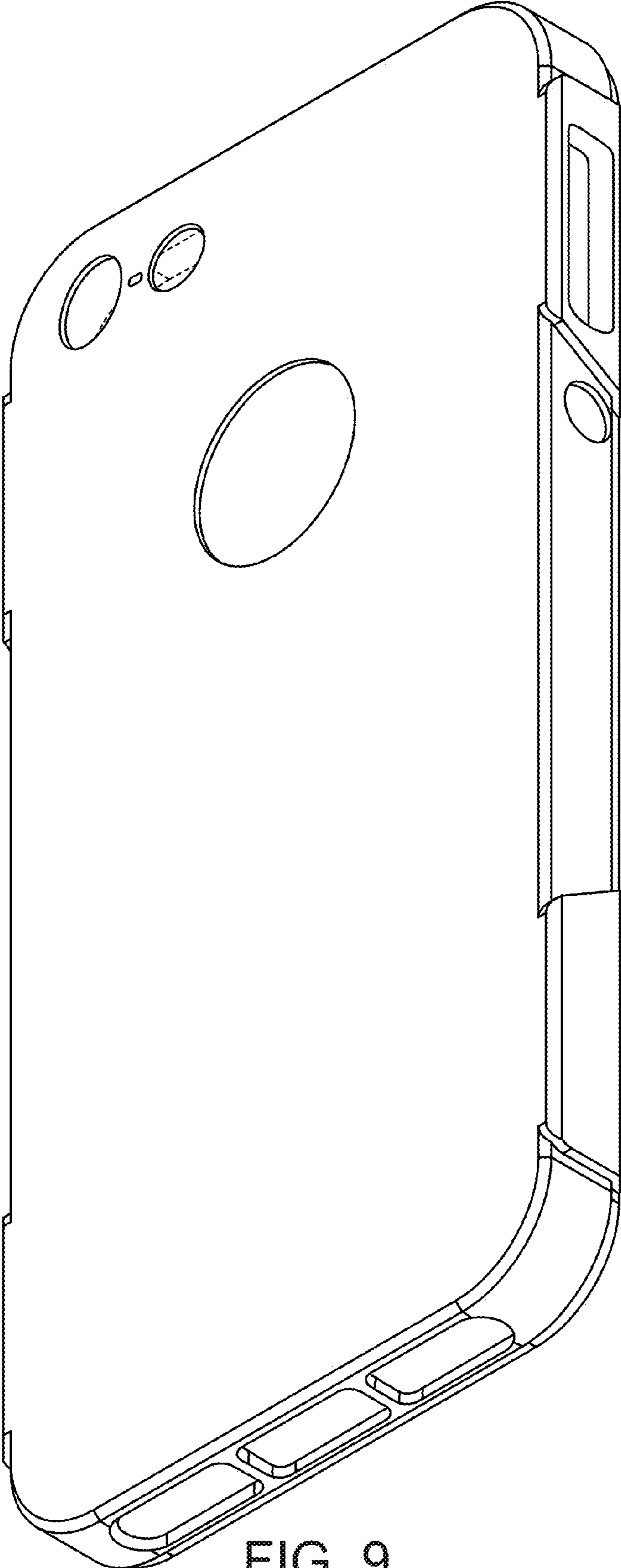


FIG. 9

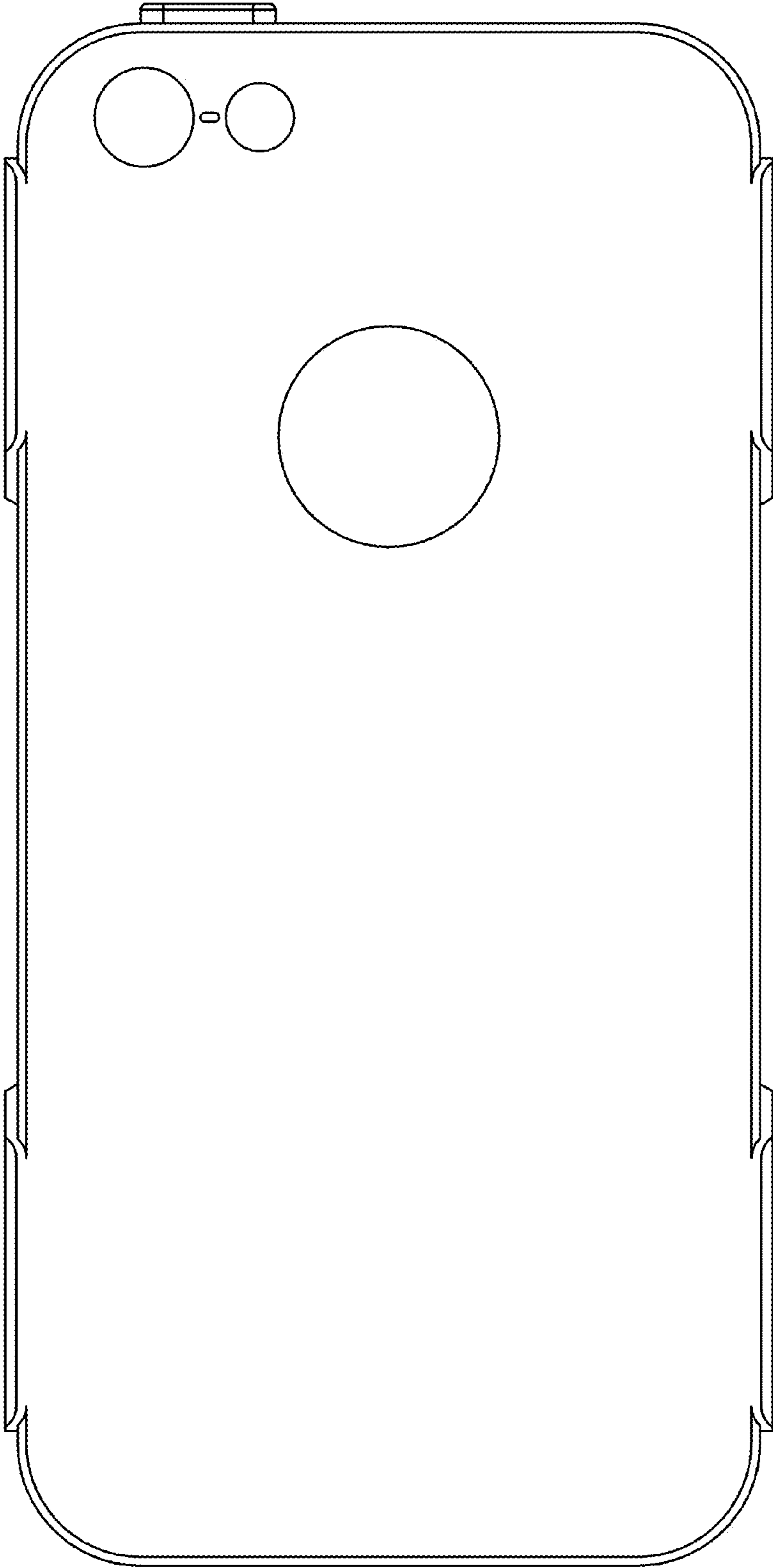


FIG. 10

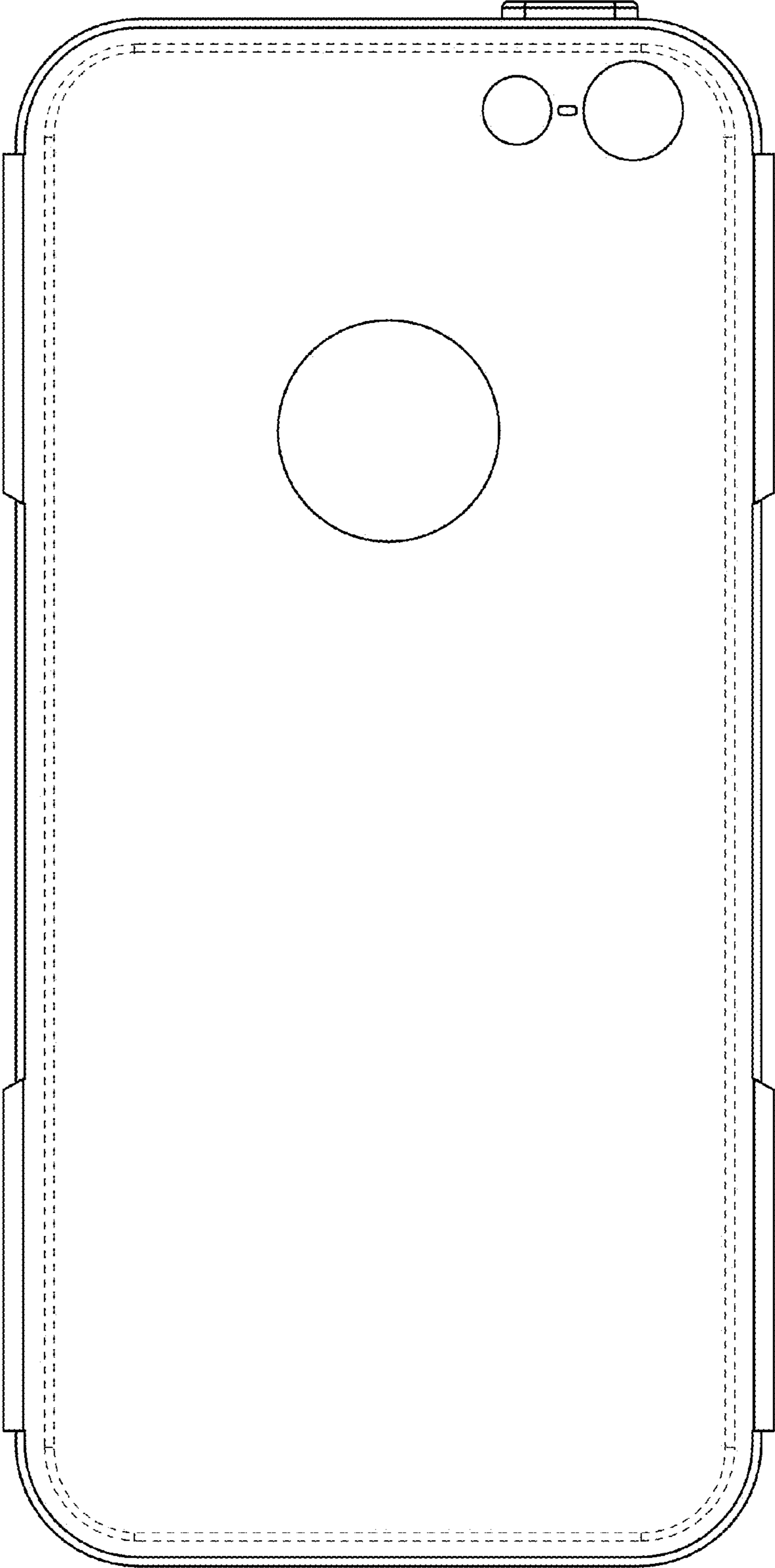


FIG. 11

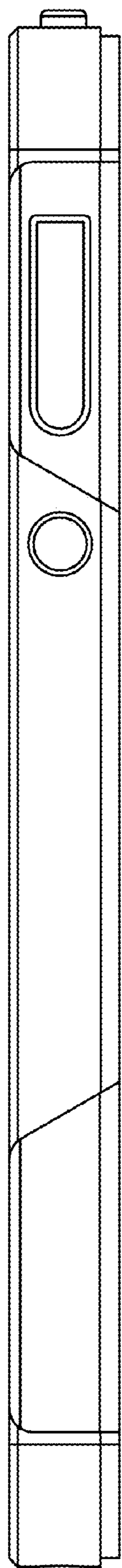


FIG. 12

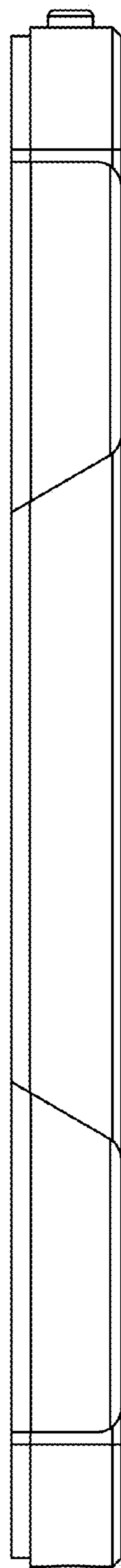


FIG. 13

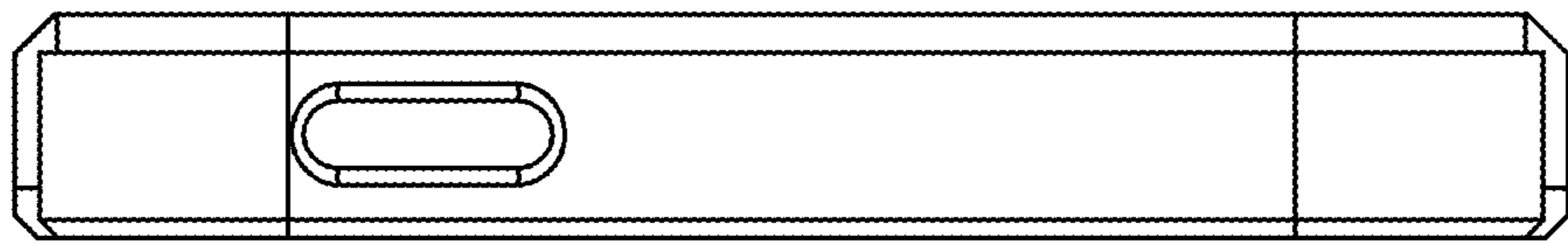


FIG. 14

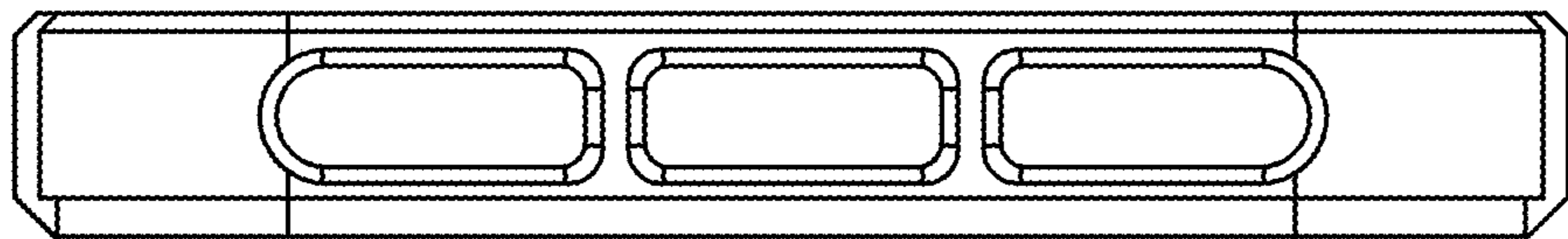


FIG. 15