

US00D756339S

(12) **United States Design Patent**
Tussy

(10) **Patent No.:** **US D756,339 S**

(45) **Date of Patent:** **** May 17, 2016**

- (54) **MOBILE DEVICE CASE**
- (71) Applicant: **Kevin Alan Tussy**, Henderson, NV (US)
- (72) Inventor: **Kevin Alan Tussy**, Henderson, NV (US)
- (**) Term: **14 Years**
- (21) Appl. No.: **29/465,741**
- (22) Filed: **Aug. 30, 2013**
- (51) **LOC (10) Cl.** **14-03**
- (52) **U.S. Cl.**
USPC **D14/250**
- (58) **Field of Classification Search**
USPC D14/250–253, 440, 203.3–203.7, 217,
D14/496, 248, 238.1, 240, 447; D3/201,
D3/218, 269, 301, 273, 303; D13/103,
D13/107–108; 220/4.02; 248/309.1;
361/679.56; 379/426, 433.11, 455;
455/575.1, 575.8; 190/100; 206/305,
206/320
CPC A45C 2011/002; A45C 11/00; A45C
13/002; A45C 2011/003; H04M 1/0283;
H04M 1/0202
See application file for complete search history.

2010/0072334	A1*	3/2010	Le Gette et al.	248/176.3
2012/0199501	A1*	8/2012	Le Gette et al.	206/45.24
2014/0054910	A1*	2/2014	Kim	H04B 1/385 294/158
2014/0152034	A1*	6/2014	Tussy	294/142
2014/0262854	A1*	9/2014	Chen et al.	206/45.24
2014/0262855	A1*	9/2014	Gandhi et al.	206/45.24
2015/0009610	A1*	1/2015	London et al.	361/679.03
2015/0201743	A1*	7/2015	Erickson-Davis	A45F 5/00 224/218

* cited by examiner

Primary Examiner — Carla Jobe Wright
Assistant Examiner — Holly E Thurman
(74) *Attorney, Agent, or Firm* — Weide & Miller, Ltd.

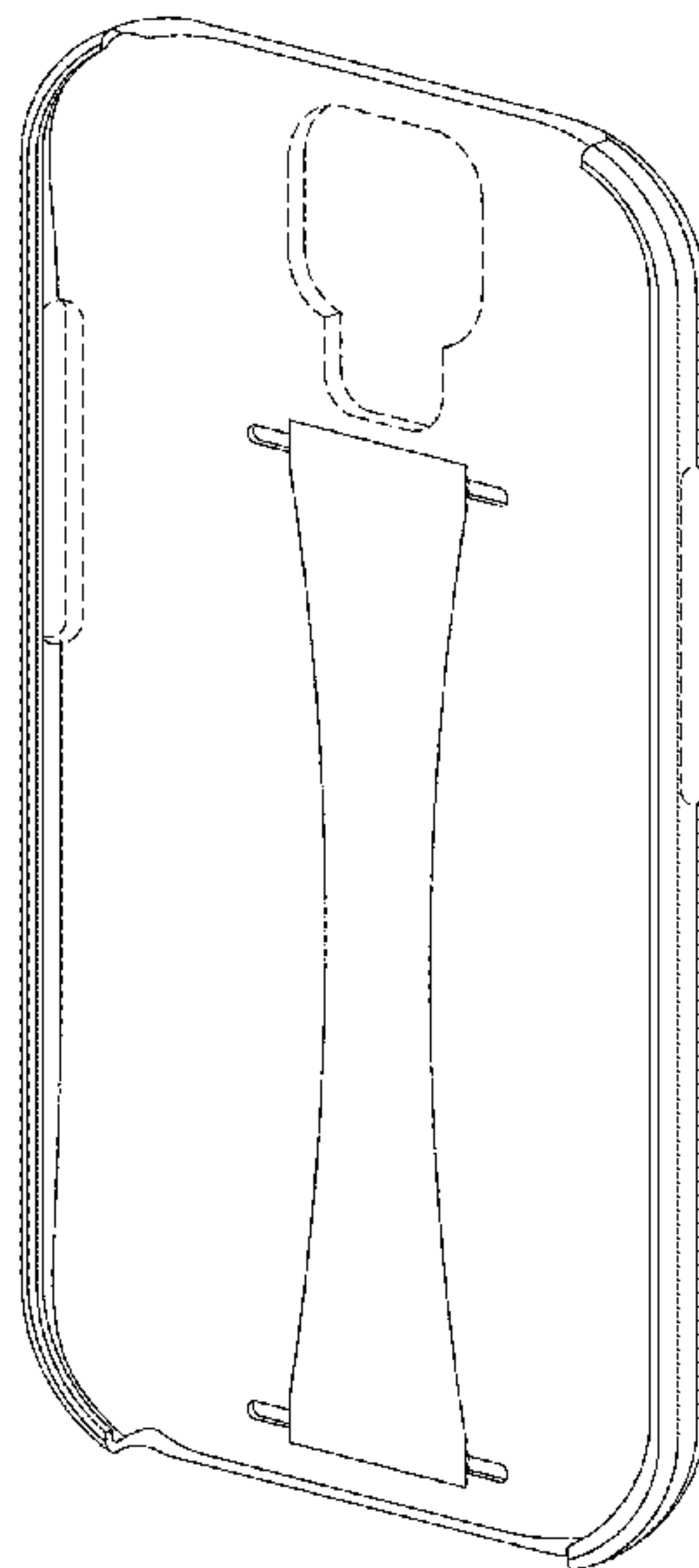
(57) **CLAIM**
The ornamental design for a mobile device case, as shown and described.

DESCRIPTION

FIG. 1 is a perspective view of a mobile device case in accordance with the present invention;
FIG. 2 is a front view thereof;
FIG. 3 is a rear view thereof;
FIG. 4 is a bottom view thereof;
FIG. 5 is a side view thereof;
FIG. 6 is an opposite side view thereof;
FIG. 7 is a top view thereof; and,
FIG. 8 is an exploded perspective view thereof showing the components separated for clarity of disclosure.
The dot-dash broken line shown in FIG. 3 represents the bounds of the claimed design and forms no part thereof. The dash-dash broken lines depict environmental subject matter that forms no part of the claimed design. All broken lines form no part of the claimed design.

1 Claim, 8 Drawing Sheets

- (56) **References Cited**
U.S. PATENT DOCUMENTS
D337,435 S * 7/1993 Kaneko et al. D3/218
D667,220 S * 9/2012 Fair D3/299
D691,991 S * 10/2013 Mohan D14/250
D703,647 S * 4/2014 Kim D14/250
D717,780 S * 11/2014 Tussy D14/250
D719,949 S * 12/2014 Tussy D14/250
D721,376 S * 1/2015 Lee D14/440
D725,659 S * 3/2015 Tussy D14/440



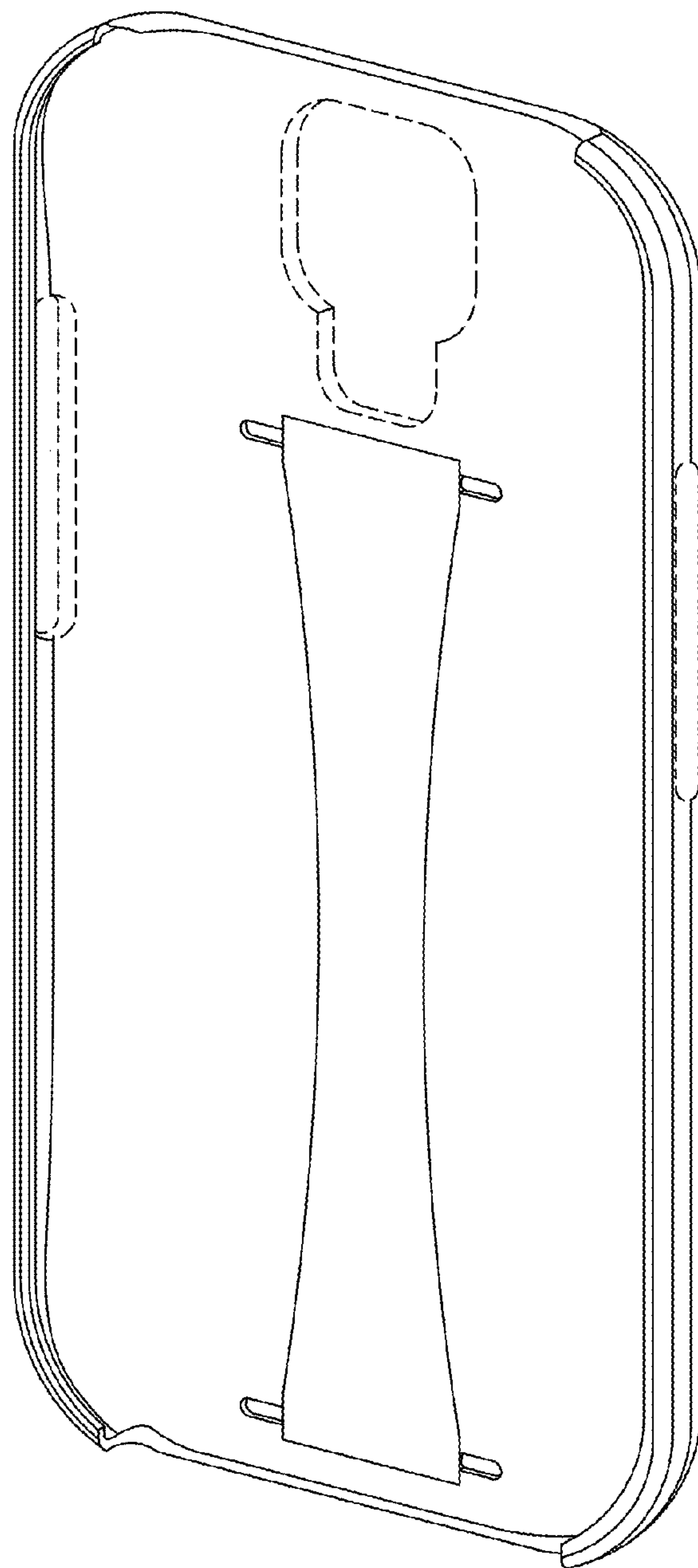


FIG. 1

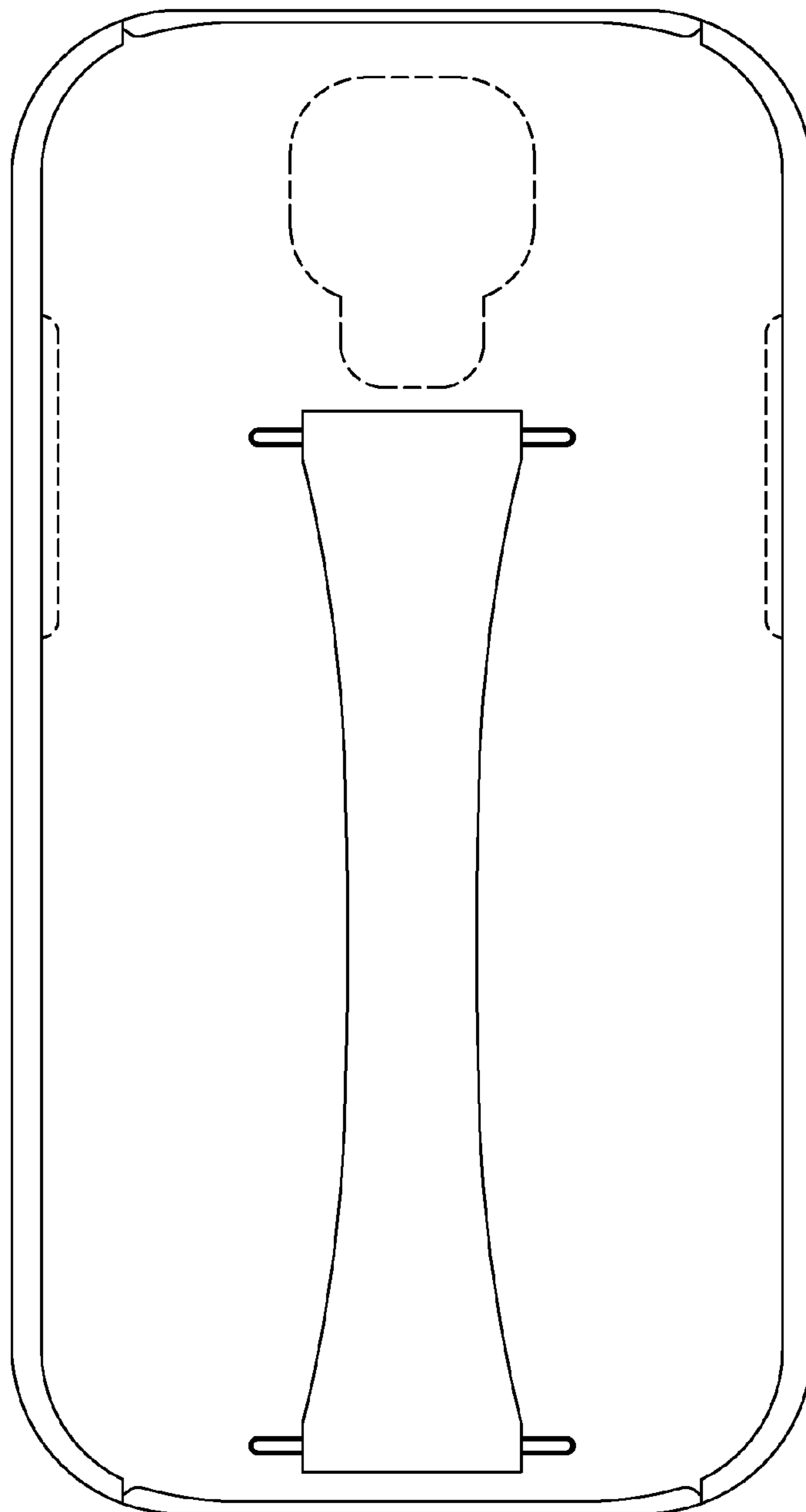


FIG. 2

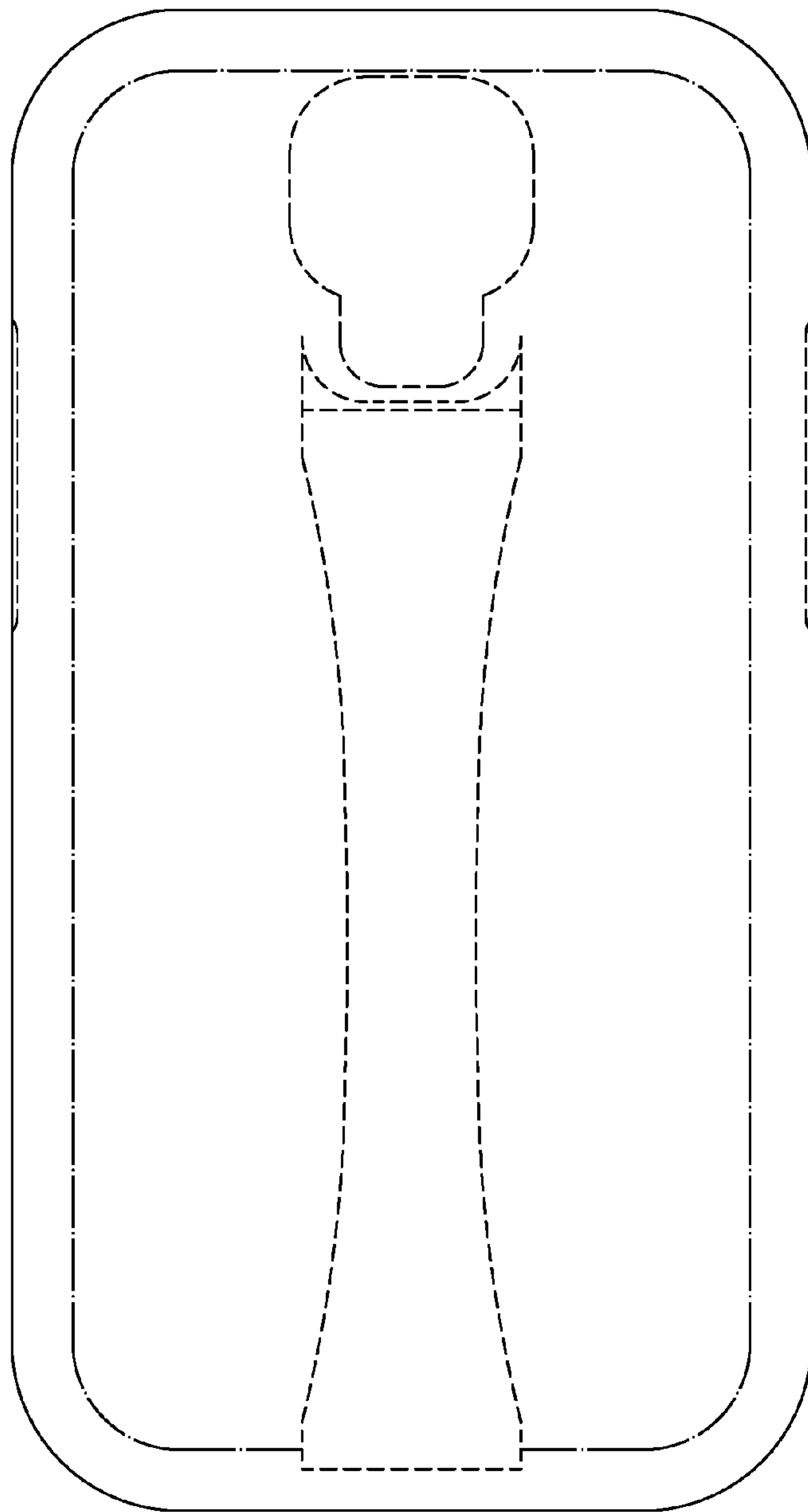


FIG. 3

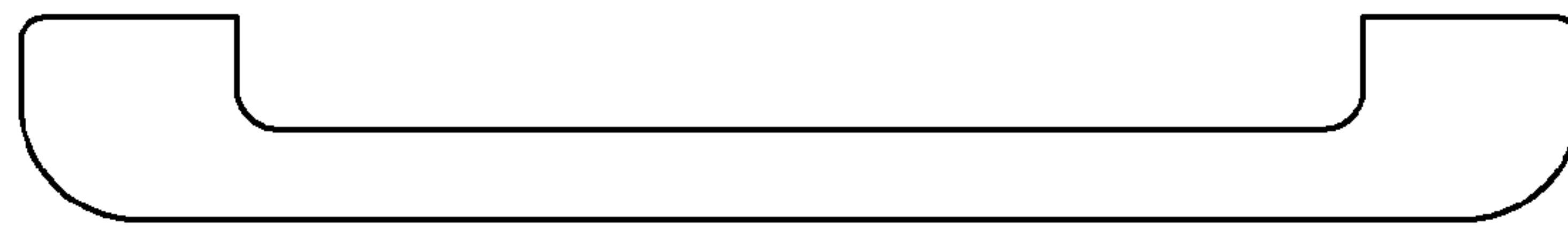


FIG. 4

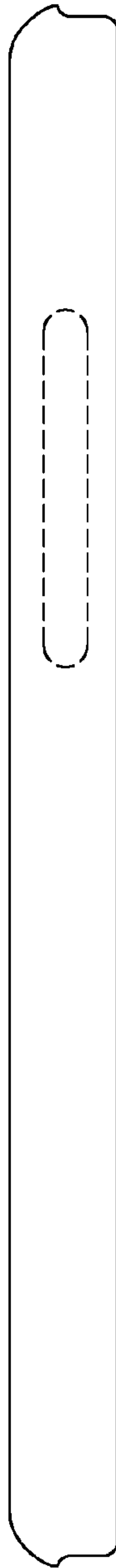


FIG. 5

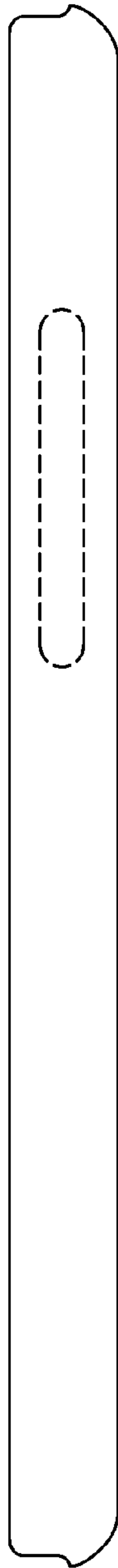


FIG. 6

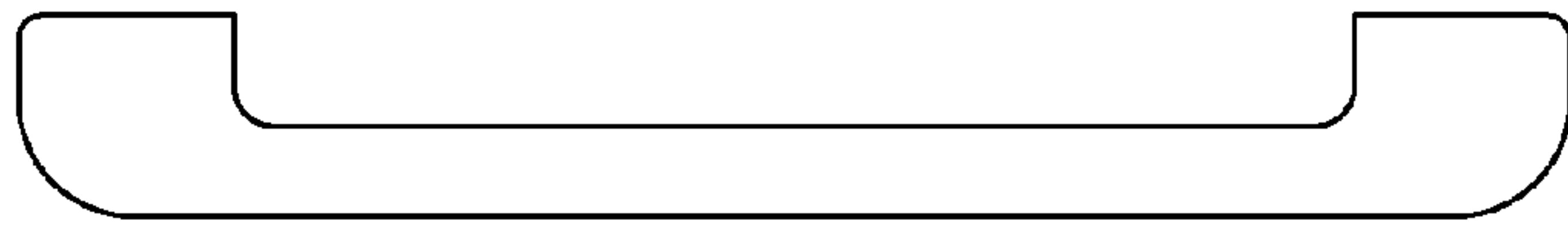


FIG. 7

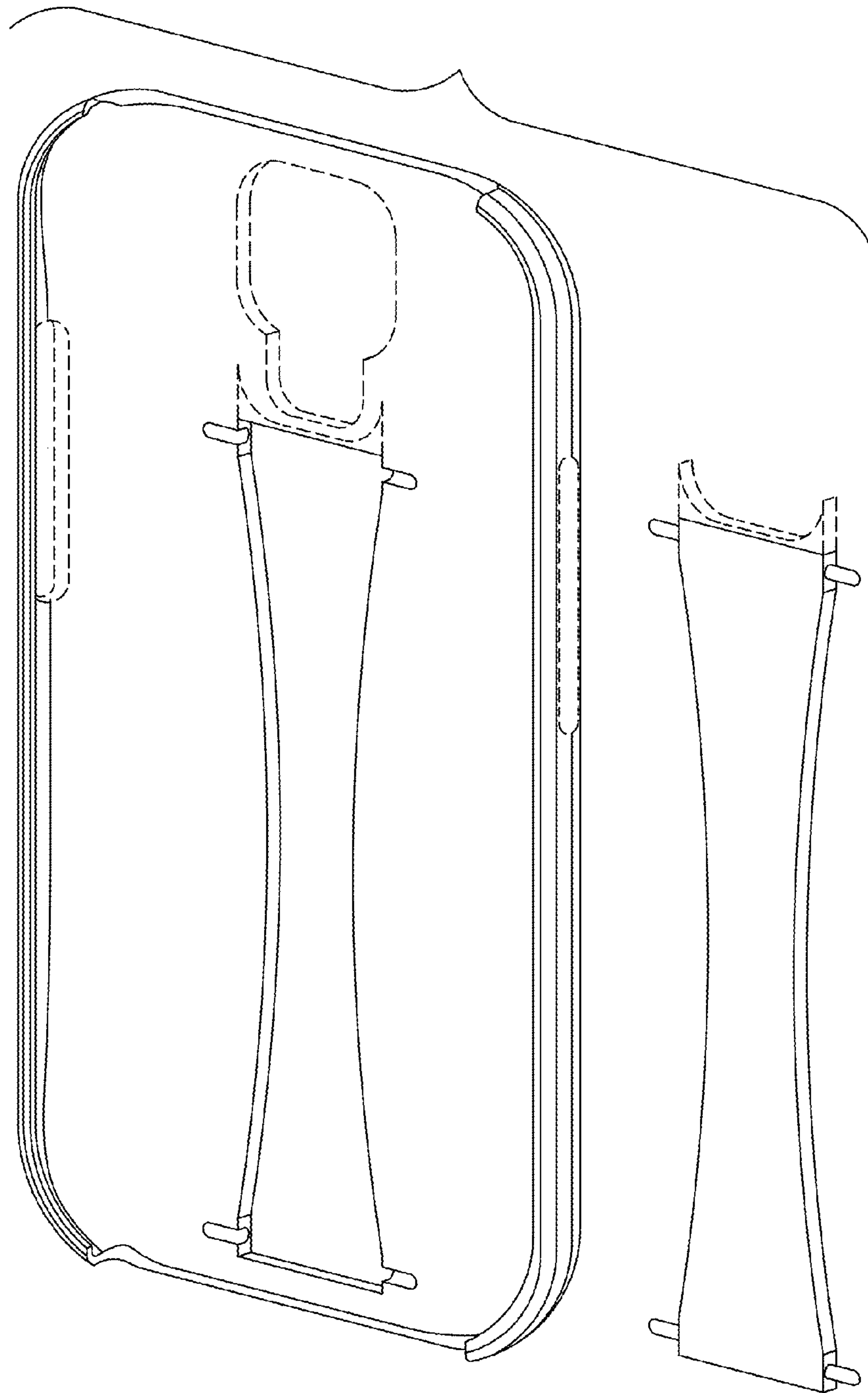


FIG. 8