



US00D756336S

(12) **United States Design Patent**
Podduturi

(10) **Patent No.:** **US D756,336 S**
(45) **Date of Patent:** **** May 17, 2016**

- (54) **VEHICLE INFOTAINMENT SYSTEM DUAL BAND WI-FI ANTENNA**
- (71) Applicant: **World Products, Inc.**, Sonoma, CA (US)
- (72) Inventor: **Bharadvaj R. Podduturi**, American Canyon, CA (US)
- (73) Assignee: **World Products Inc.**, Sonoma, CA (US)
- (**) Term: **14 Years**
- (21) Appl. No.: **29/510,403**
- (22) Filed: **Nov. 26, 2014**
- (51) **LOC (10) Cl.** **14-03**
- (52) **U.S. Cl.**
USPC **D14/230**
- (58) **Field of Classification Search**
USPC D14/138, 230–238, 299, 358; D12/42, D12/43; 343/700 MS, 700 R–705, 711–713, 343/735, 736, 741, 748, 767, 795, 819, 840, 343/846, 866, 871–908; 455/90.2, 90.3, 91, 455/128, 269, 344, 347, 562.1
CPC H01Q 7/00; H01Q 13/10; H01Q 9/285; H01Q 19/30; H01Q 19/12; H01Q 1/38; H01Q 1/36; H04B 1/0475; H04B 1/034; H05K 11/00
See application file for complete search history.

D707,663 S	6/2014	Podduturi	
8,750,947 B2 *	6/2014	Cheng	H01Q 5/00 343/700 MS
2004/0222936 A1 *	11/2004	Hung	H01Q 1/38 343/795
2009/0262028 A1 *	10/2009	Mumburu	H01Q 1/243 343/702
2010/0079350 A1 *	4/2010	Lai	H01Q 1/243 343/843
2010/0253580 A1 *	10/2010	Yan	H01Q 9/42 343/700 MS
2010/0328182 A1 *	12/2010	Wong	H01Q 1/2266 343/848
2012/0229348 A1 *	9/2012	Chiang	H01Q 1/2266 343/702
2012/0268338 A1 *	10/2012	Yoo	H01Q 9/26 343/803

* cited by examiner

Primary Examiner — John Windmuller

(74) *Attorney, Agent, or Firm* — Patterson Thunte Pedersen, P.A.

(57) **CLAIM**

I claim the ornamental design for a vehicle infotainment system dual band Wi-Fi antenna, as shown and described.

DESCRIPTION

FIG. 1 is a perspective view of a vehicle infotainment system dual band Wi-Fi antenna according to the design.

FIG. 2 is a top plan view of the vehicle infotainment system dual band Wi-Fi antenna depicted in FIG. 1.

FIG. 3 is a bottom plan view of the vehicle infotainment system dual band Wi-Fi antenna depicted in FIG. 1; and, FIGS. 4-7 are side views of the vehicle infotainment system dual band Wi-Fi antenna depicted in FIG. 1.

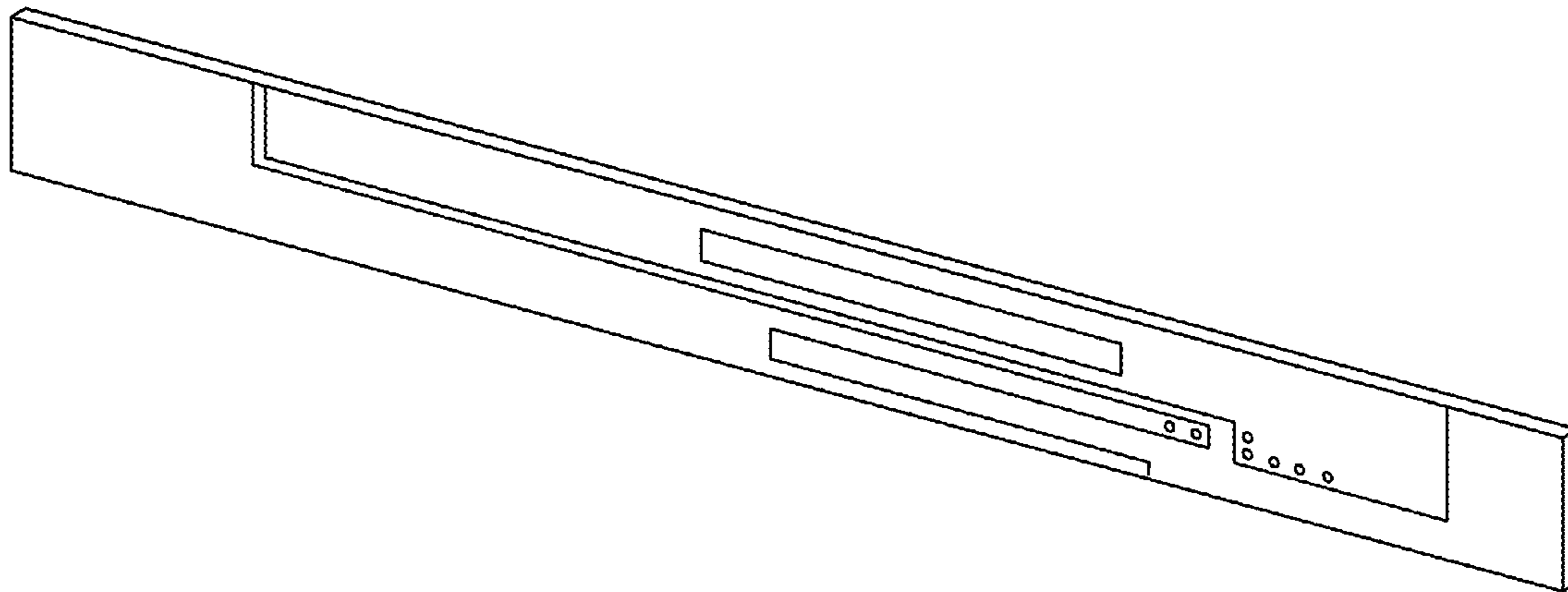
In those figures where they appear, broken lines illustrate visible environmental structures that are not to be considered as limitations of the claimed subject matter.

1 Claim, 2 Drawing Sheets

(56) **References Cited**

U.S. PATENT DOCUMENTS

D572,243 S	*	7/2008	Lin	D14/230
D635,965 S	*	4/2011	Mi	D14/230
D636,382 S	*	4/2011	Podduturi	D14/230
D650,370 S	*	12/2011	Huang	D14/230
D702,216 S		4/2014	Podduturi		
D706,750 S	*	6/2014	Bringuier	D14/230



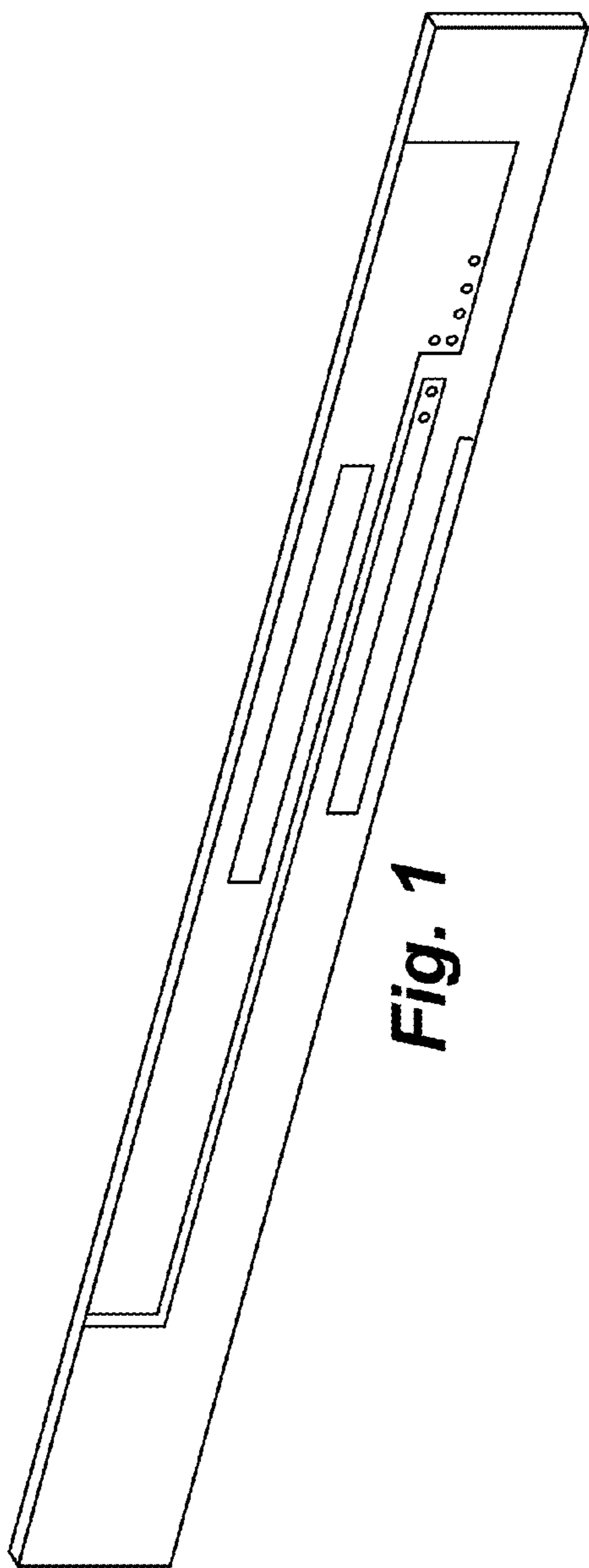


Fig. 1

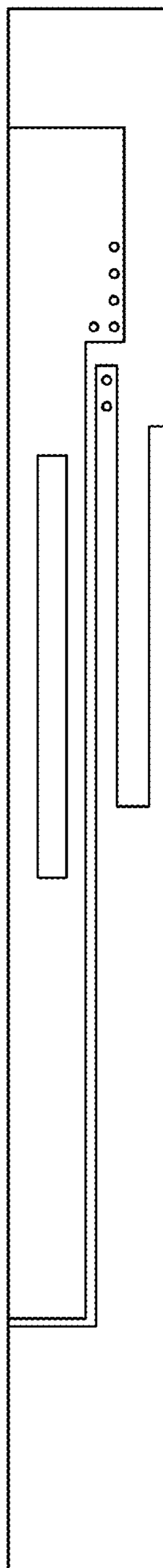


Fig. 2

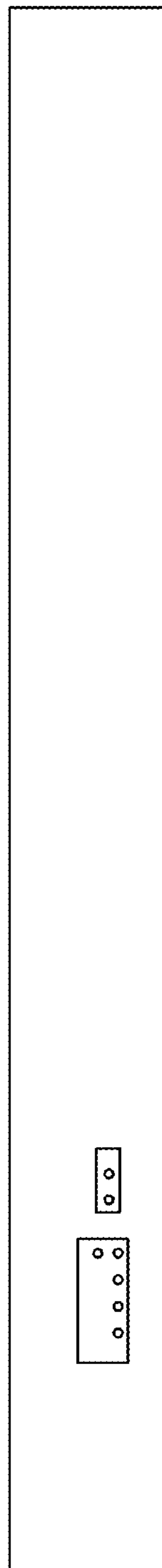


Fig. 3

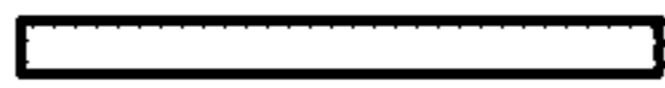


Fig. 4

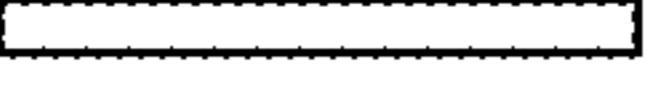


Fig. 5



Fig. 6



Fig. 7