



US00D756332S

(12) **United States Design Patent**
Wai

(10) **Patent No.:** **US D756,332 S**
(45) **Date of Patent:** **** May 17, 2016**

(54) **WEARABLE REMOTE CONTROL**
(71) Applicant: **Victor K. Wai**, Siu Lam (HK)
(72) Inventor: **Victor K. Wai**, Siu Lam (HK)
(**) Term: **14 Years**

D724,556 S * 3/2015 Choi D10/32
D743,820 S * 11/2015 Song D10/30
2002/0171559 A1* 11/2002 Yang H04B 1/202
340/12.3
2013/0237865 A1* 9/2013 Sato A61B 5/02233
600/499
2014/0221854 A1* 8/2014 Wai A61B 5/02444
600/508

(21) Appl. No.: **29/495,415**
(22) Filed: **Jun. 30, 2014**
(51) **LOC (10) Cl.** **14-03**
(52) **U.S. Cl.**
USPC **D14/218**
(58) **Field of Classification Search**
USPC D14/135, 144, 218, 480.3, 496;
D13/168, 173, 162, 162.1, 166, 171,
D13/174; D30/152; D10/30-36, 38, 70,
D10/104.2, 103, 128; D11/4
CPC . A45F 2005/008; G06F 3/016; H04N 5/4403;
H04N 5/765; G08C 23/04
See application file for complete search history.

FOREIGN PATENT DOCUMENTS

EM 000622709-0003 * 2/2007
EM 000756200-0001 * 9/2007

OTHER PUBLICATIONS

Acousticon A-165 (Super-X-Ear) Vacuum Tube (Wrist-worn) Hearing Aid, website copyright 2015, online, <http://www.hearingaidmuseum.com/gallery/Vacuum%20Tube/Acousticon/info/acousticon165.htm>, [site visited Nov. 24, 2015 5:34:06 PM].*

(Continued)

Primary Examiner — John Windmuller

Assistant Examiner — John R Yeh

(74) *Attorney, Agent, or Firm* — Schacht Law Office, Inc.;
Michael R. Schacht

(56) **References Cited**

U.S. PATENT DOCUMENTS

D198,085 S * 4/1964 Rich D14/218
D273,786 S * 5/1984 Owerko D13/168
D309,890 S * 8/1990 Cheng D13/165
D376,544 S * 12/1996 Egbert D10/30
D377,458 S * 1/1997 Tsui D10/104.1
D381,009 S * 7/1997 Nagata D10/106.1
D413,579 S * 9/1999 Mullet D13/168
D496,913 S * 10/2004 To D13/168
D503,687 S * 4/2005 Hoffman D13/168
D515,527 S * 2/2006 Swallow D10/104.1
D567,783 S * 4/2008 Lee D14/138 AB
D592,158 S * 5/2009 Peterson D13/168
D596,610 S * 7/2009 Hou D10/32
D638,806 S * 5/2011 Kim D13/168
D672,255 S * 12/2012 Zanella D10/32
D689,862 S * 9/2013 Liu D14/402
D709,873 S * 7/2014 Aumiller D14/344
D722,045 S * 2/2015 Mok D14/218

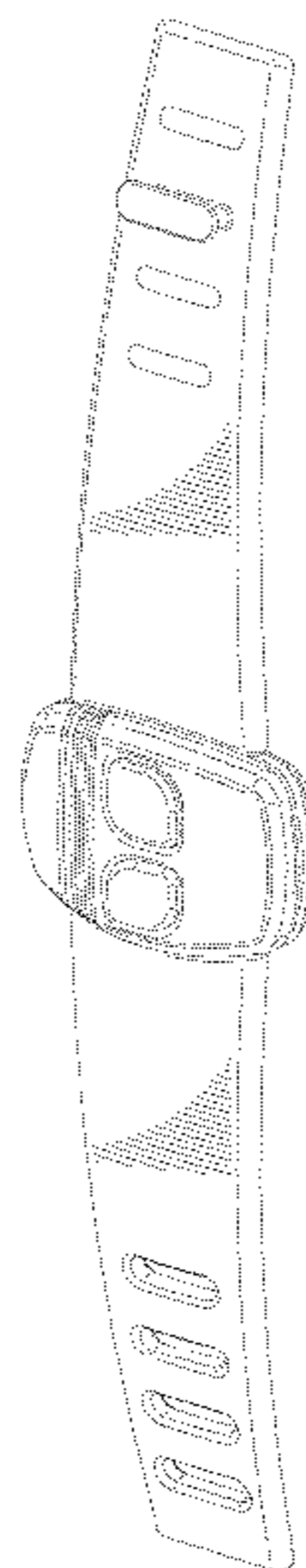
(57) **CLAIM**

The ornamental design for a wearable remote control, as shown and described.

DESCRIPTION

FIG. 1 is an isometric view of a wearable remote control showing my new design;
FIG. 2 is a front view thereof;
FIG. 3 is a right side view thereof;
FIG. 4 is a left side view thereof;
FIG. 5 is a back view thereof;
FIG. 6 is a top view thereof; and,
FIG. 7 is a bottom view thereof.

1 Claim, 3 Drawing Sheets



(56)

References Cited

OTHER PUBLICATIONS

Amazon.com: Scosche Extreme Sport Wrist-Mounted iPod Remote Control: MP3 Players & Accessories, review date Nov. 20, 2005, <http://www.amazon.com/Scosche-Extreme-Wrist-Mounted-Remote-Control/dp/B000BKSRUE#customerReviews>, [site visited Oct. 21, 2015 6:09:43 PM].*

Amazon.com : Velcro Wrist Strap for GoPro WiFi Remote Control / Band / Mount / Accessory—HERO4 HERO3+, review date Aug. 22, 2013, online, <http://www.amazon.com/Velcro-Wrist-Remote-Control-Accessory/dp/B00BD25HJS>, [site visited Oct. 21, 2015 6:11:29 PM].*

* cited by examiner

FIG. 1

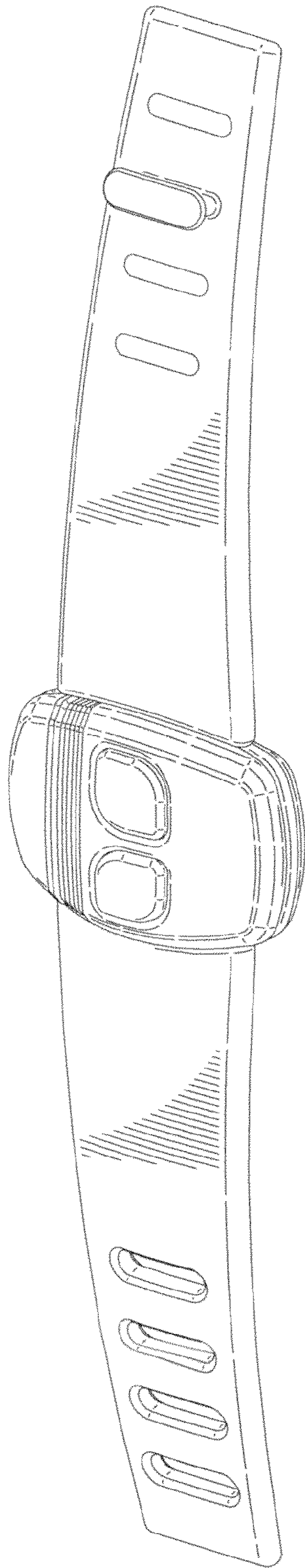


FIG. 2

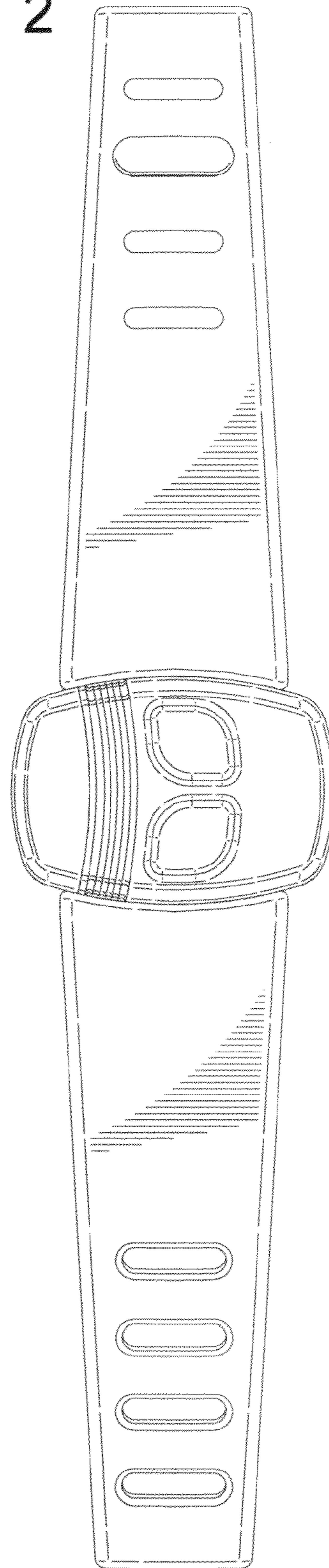


FIG. 3

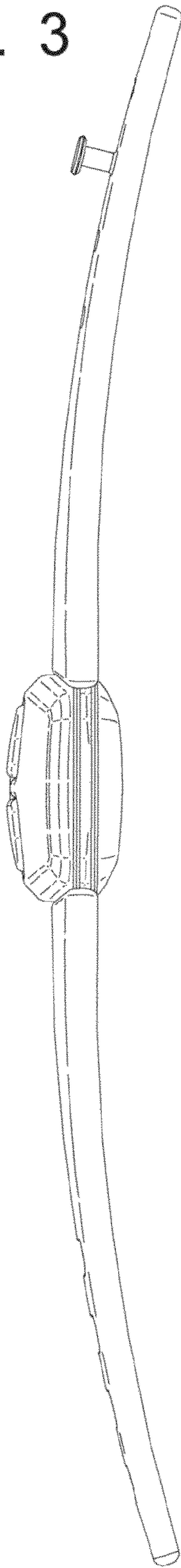


FIG. 4

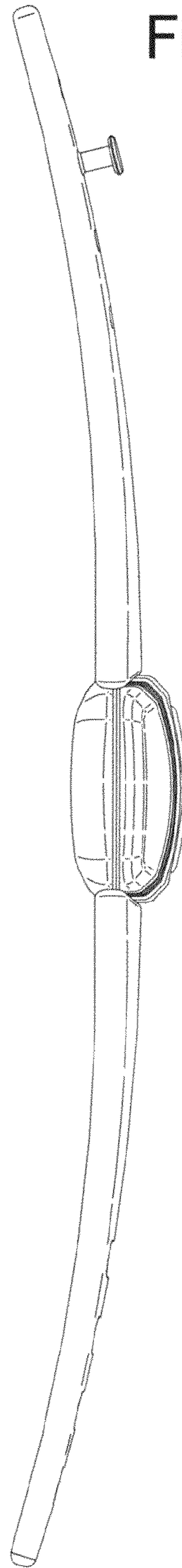


FIG. 5

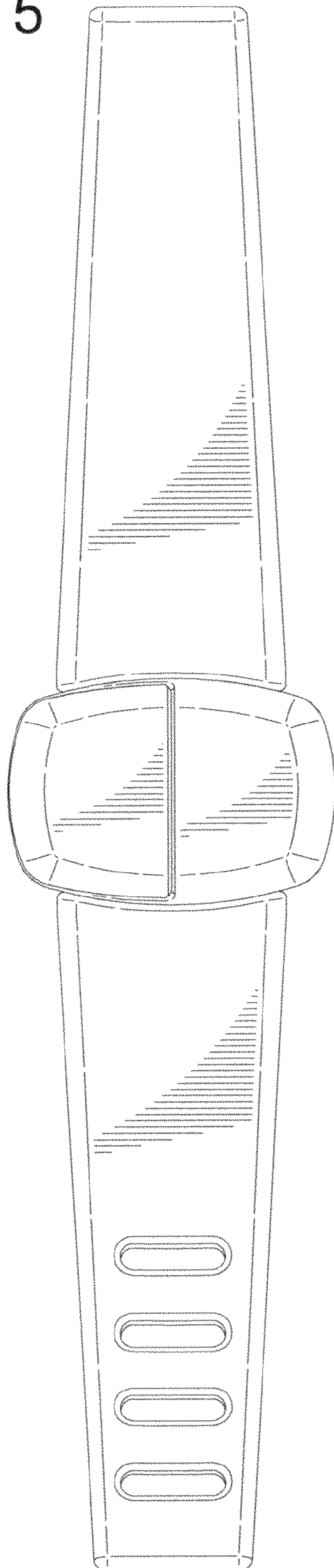


FIG. 6

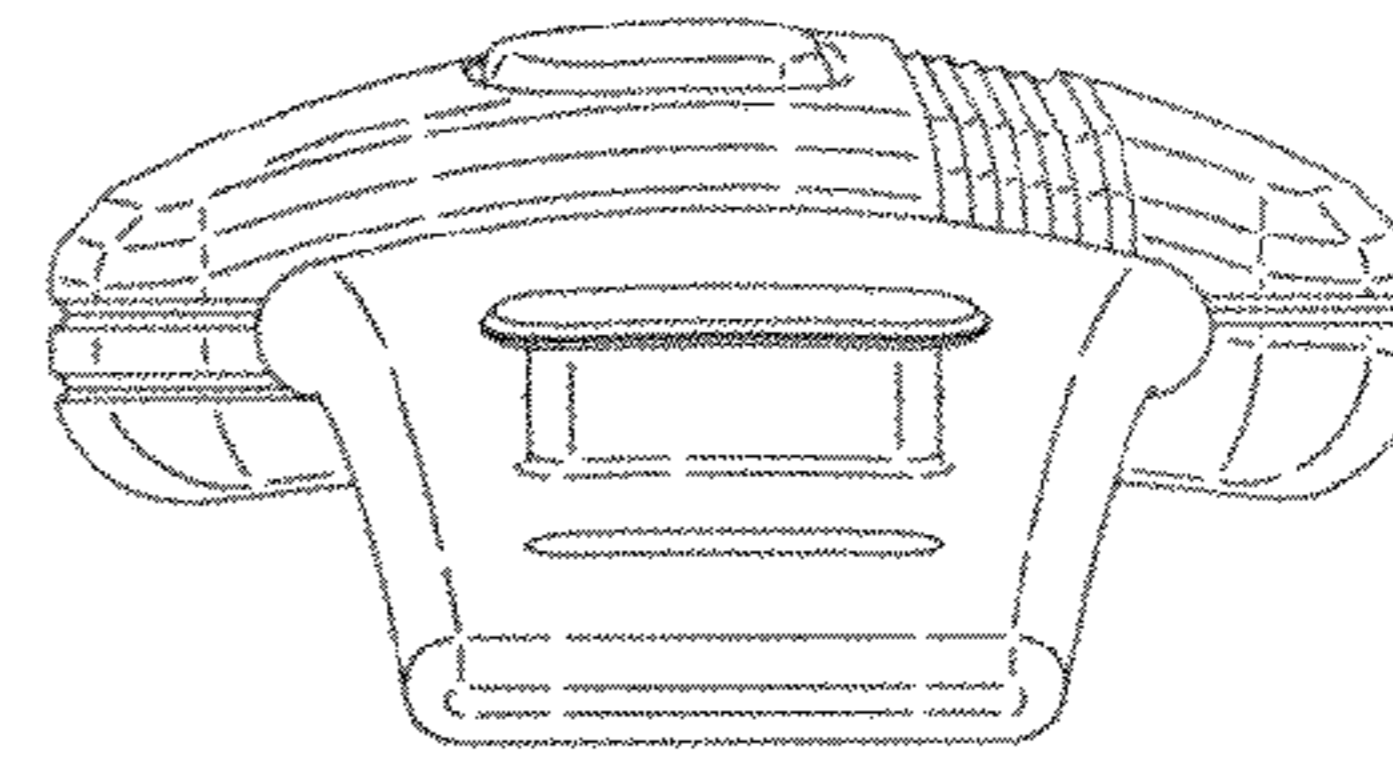


FIG. 7

