



US00D756329S

(12) **United States Design Patent**
Warden et al.

(10) **Patent No.:** **US D756,329 S**
(45) **Date of Patent:** **** May 17, 2016**

(54) **LOUDSPEAKER**
(71) Applicant: **Bose Corporation**, Framingham, MA
(US)
(72) Inventors: **Robert A. Warden**, Southborough, MA
(US); **Mitchell Joseph Silva**, Groton,
MA (US)
(73) Assignee: **Bose Corporation**, Framingham, MA
(US)

5,749,137 A * 5/1998 Martin H04R 1/026
29/434
D418,139 S * 12/1999 Matsuoka D14/214
D484,484 S * 12/2003 Green D14/204
7,298,860 B2 * 11/2007 Engebretson H04R 1/026
381/335
7,516,932 B2 * 4/2009 Engebretson H04R 1/026
248/317
D594,854 S * 6/2009 Hawkins D14/217
D597,075 S * 7/2009 Irii D14/214
D663,719 S * 7/2012 Warden D14/214
D671,913 S * 12/2012 Warden D14/204

(**) Term: **14 Years**
(21) Appl. No.: **29/493,735**
(22) Filed: **Jun. 12, 2014**
(51) **LOC (10) Cl.** **14-01**
(52) **U.S. Cl.**
USPC **D14/204**
(58) **Field of Classification Search**
USPC D3/20, 200, 201, 273; D9/414, 423,
D9/432; D14/188, 203.1, 203.3, 204, 210,
D14/214, 221, 222, 314, 348, 365; 181/143,
181/144, 147, 148, 150, 153, 157, 198,
181/199; 381/300–303, 306, 332, 333, 336,
381/345, 361–364, 386–388; 369/6–12
CPC H04R 1/02; H04R 1/021; H04R 1/023;
H04R 5/00; H04R 9/06; H04R 2420/07
See application file for complete search history.

OTHER PUBLICATIONS

Bose Technical Data Sheet, Bose Professional Systems Division,
RoomMatch® Utility RMU208 small-format foreground/fill loud-
speaker, 2013.

* cited by examiner

Primary Examiner — Derrick Holland
Assistant Examiner — Janice Lim

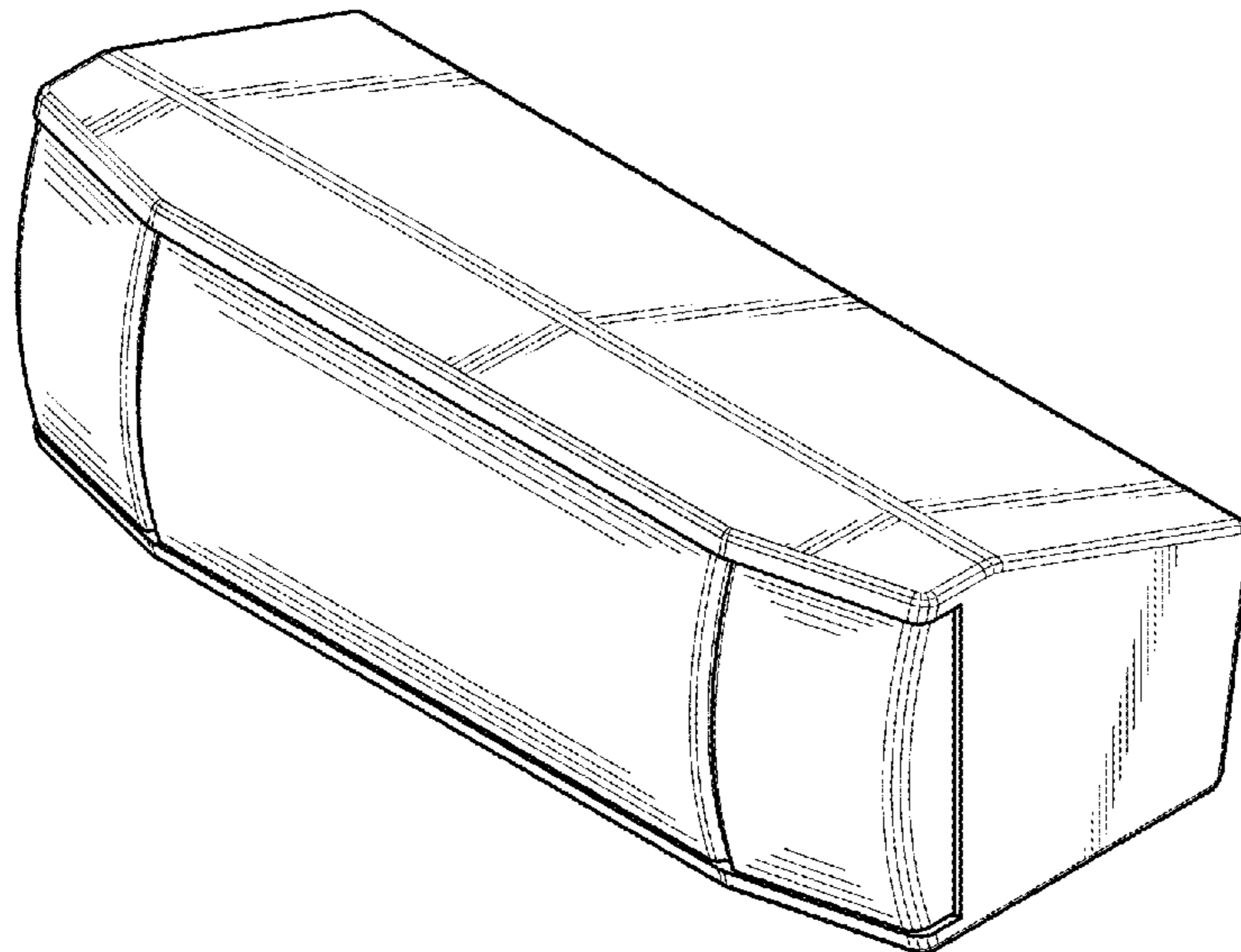
(56) **References Cited**
U.S. PATENT DOCUMENTS
3,143,182 A * 8/1964 Sears H04R 1/2811
181/153
5,519,572 A * 5/1996 Luo G06F 1/183
360/99.18
D381,989 S * 8/1997 Chang D14/214

(57) **CLAIM**
The ornamental design for a loudspeaker, substantially as
shown and described.

DESCRIPTION

FIG. 1 is a top, front, right perspective view of a loudspeaker,
showing our new design;
FIG. 2 is a front view thereof;
FIG. 3 is a back view thereof;
FIG. 4 is a top plan view thereof;
FIG. 5 is a bottom plan view thereof;
FIG. 6 is a left side view thereof; and,
FIG. 7 is a right side view thereof.

1 Claim, 6 Drawing Sheets



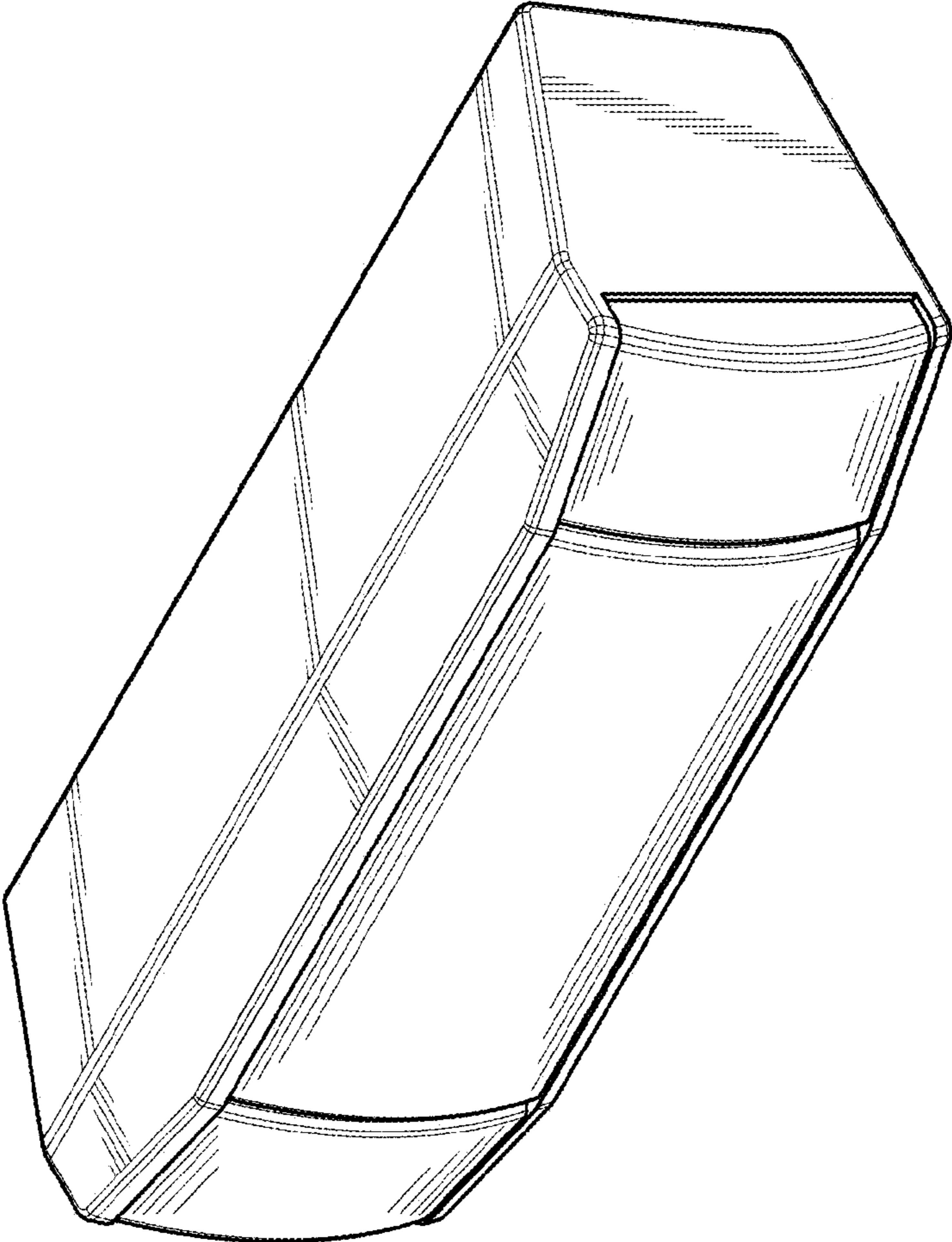


FIG. 1

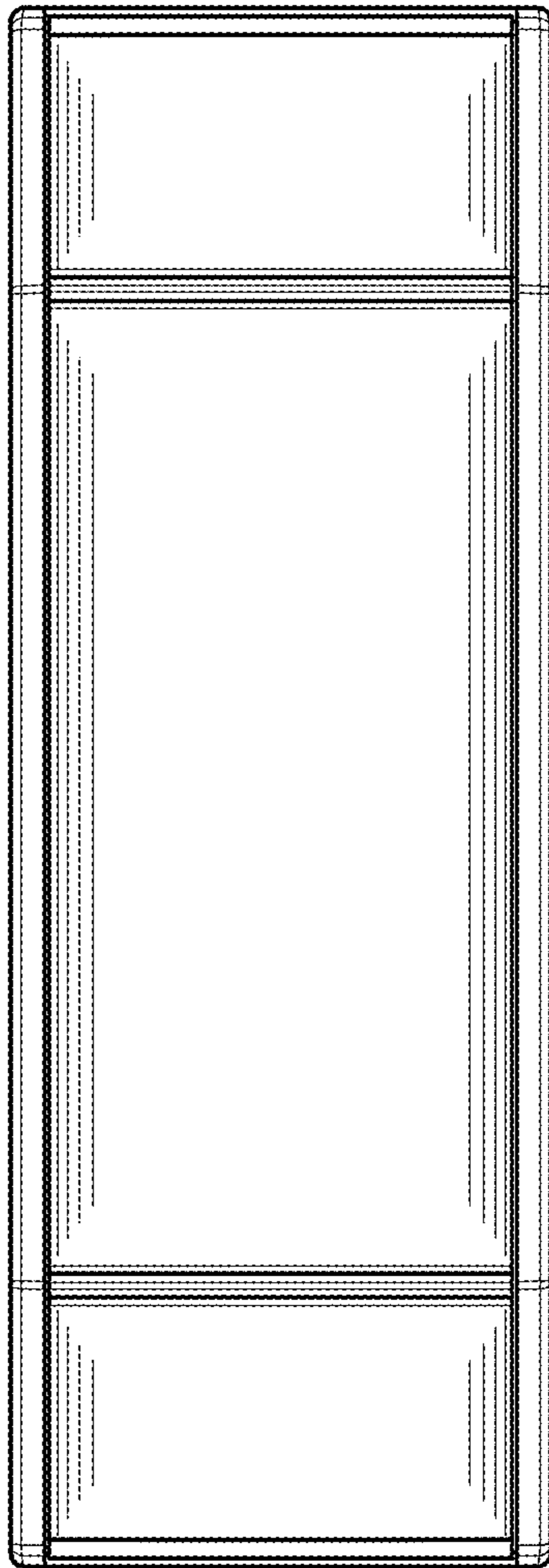


FIG. 2

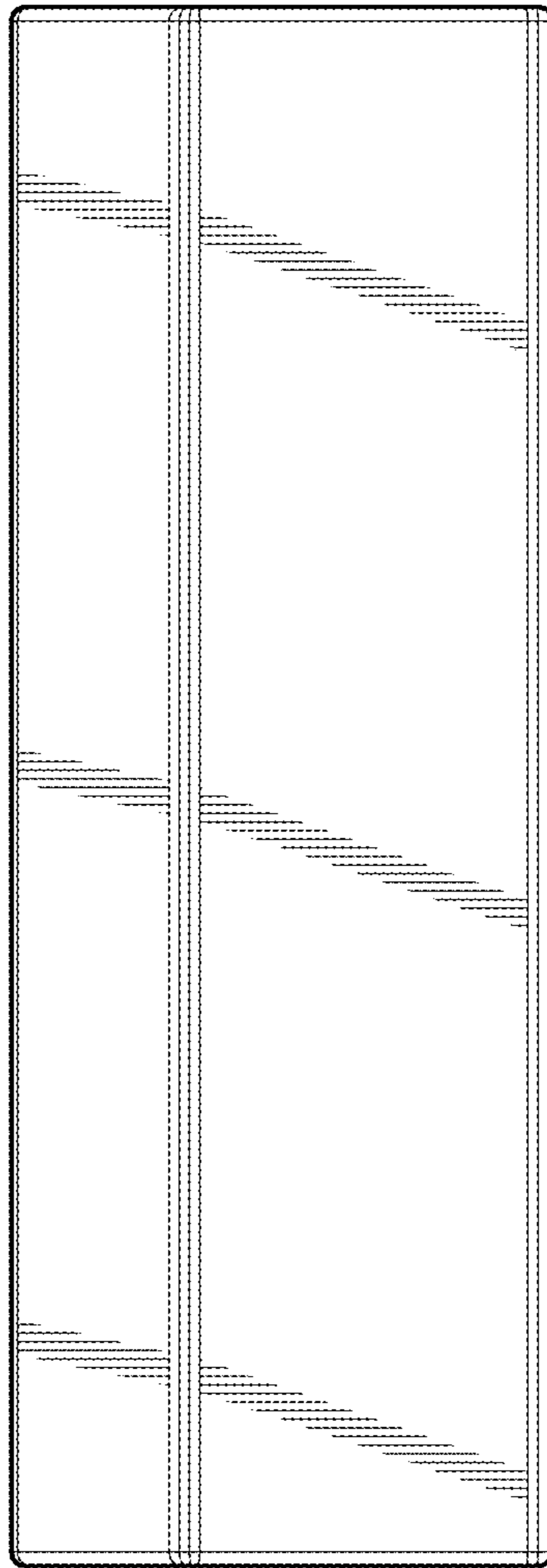


FIG. 3

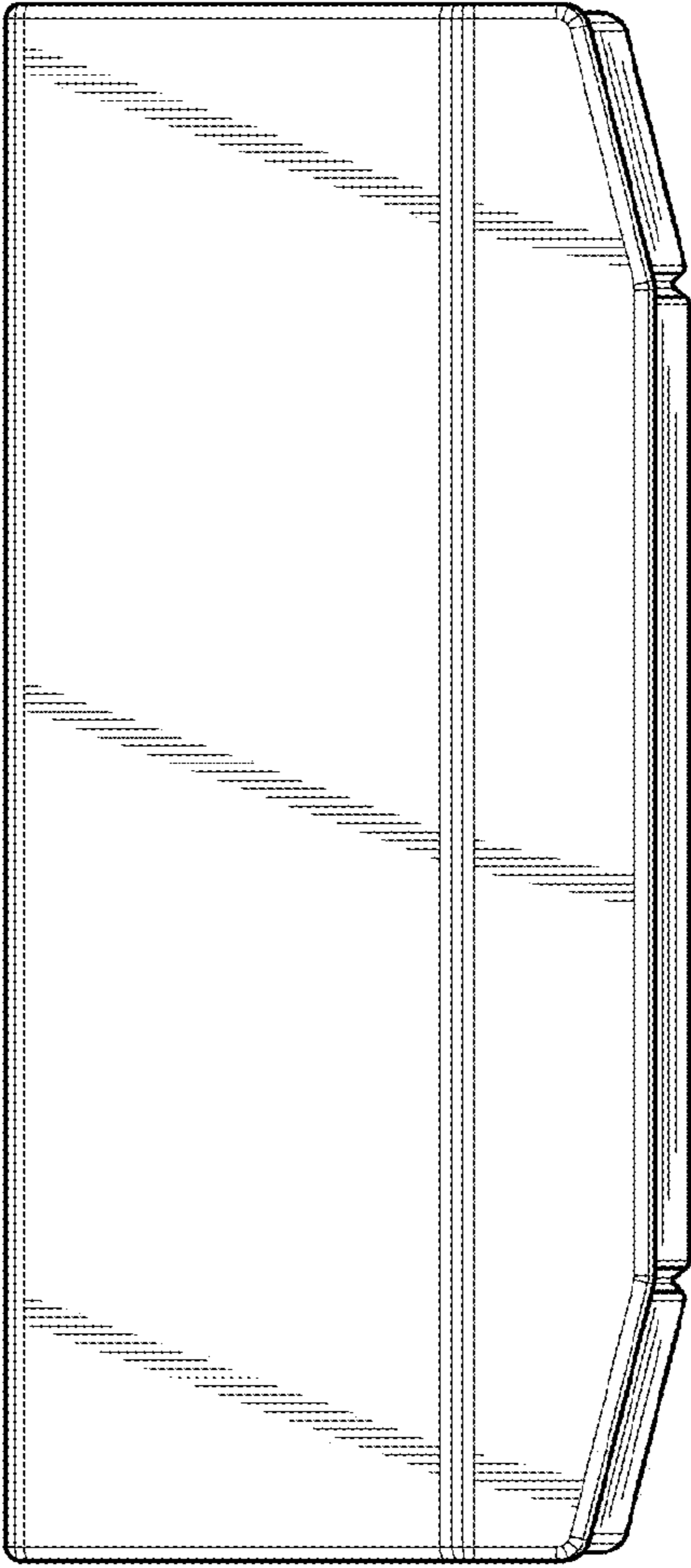


FIG. 4

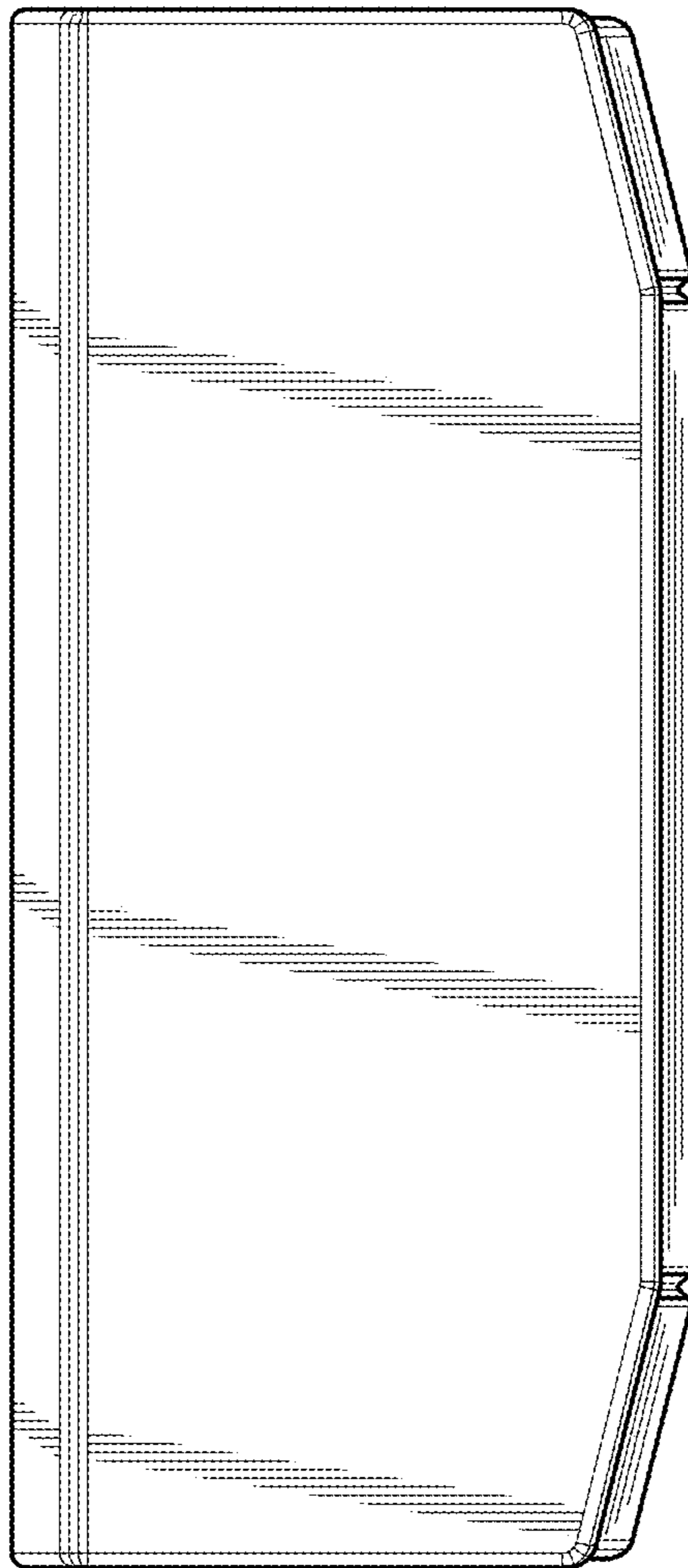


FIG. 5

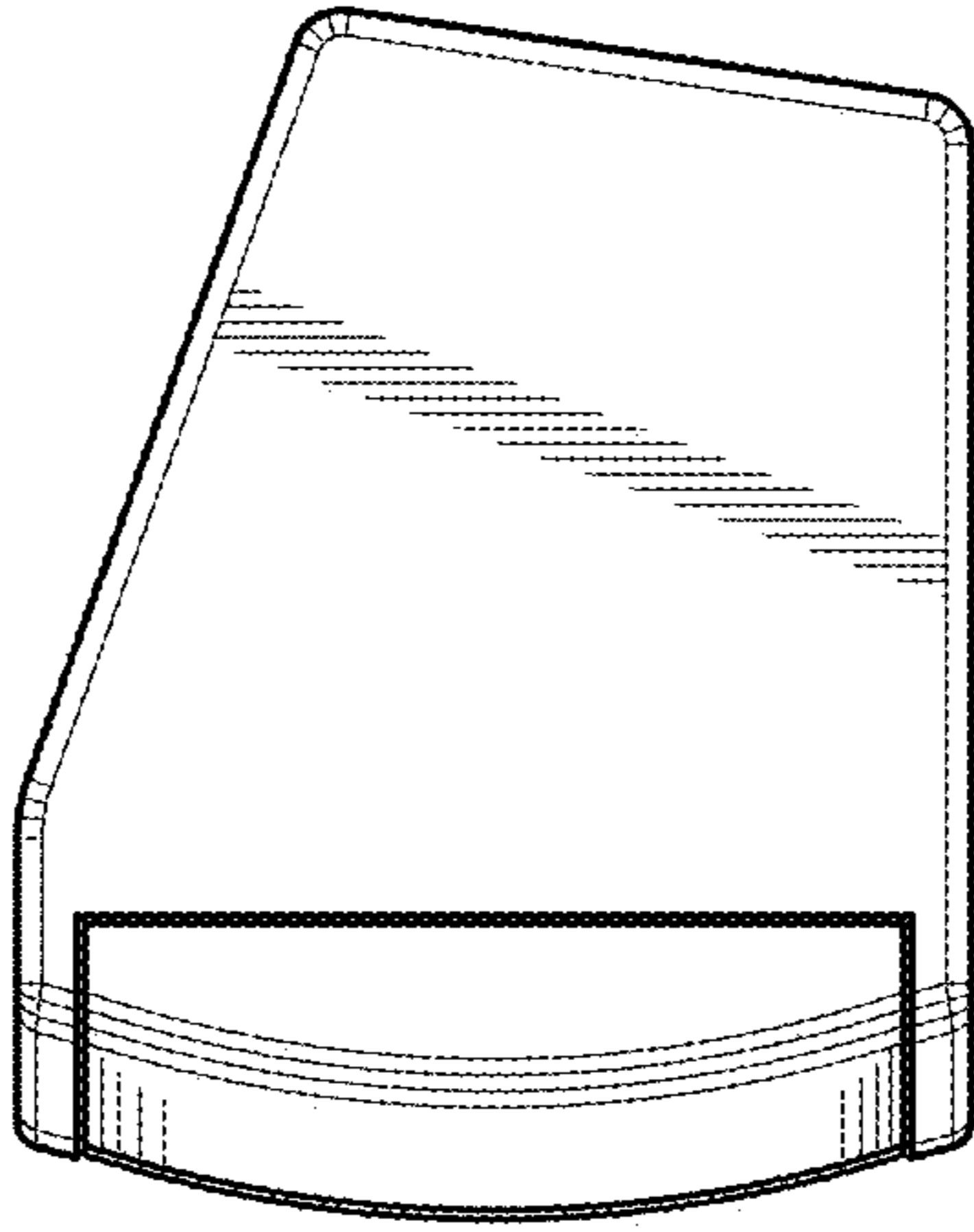


FIG. 7

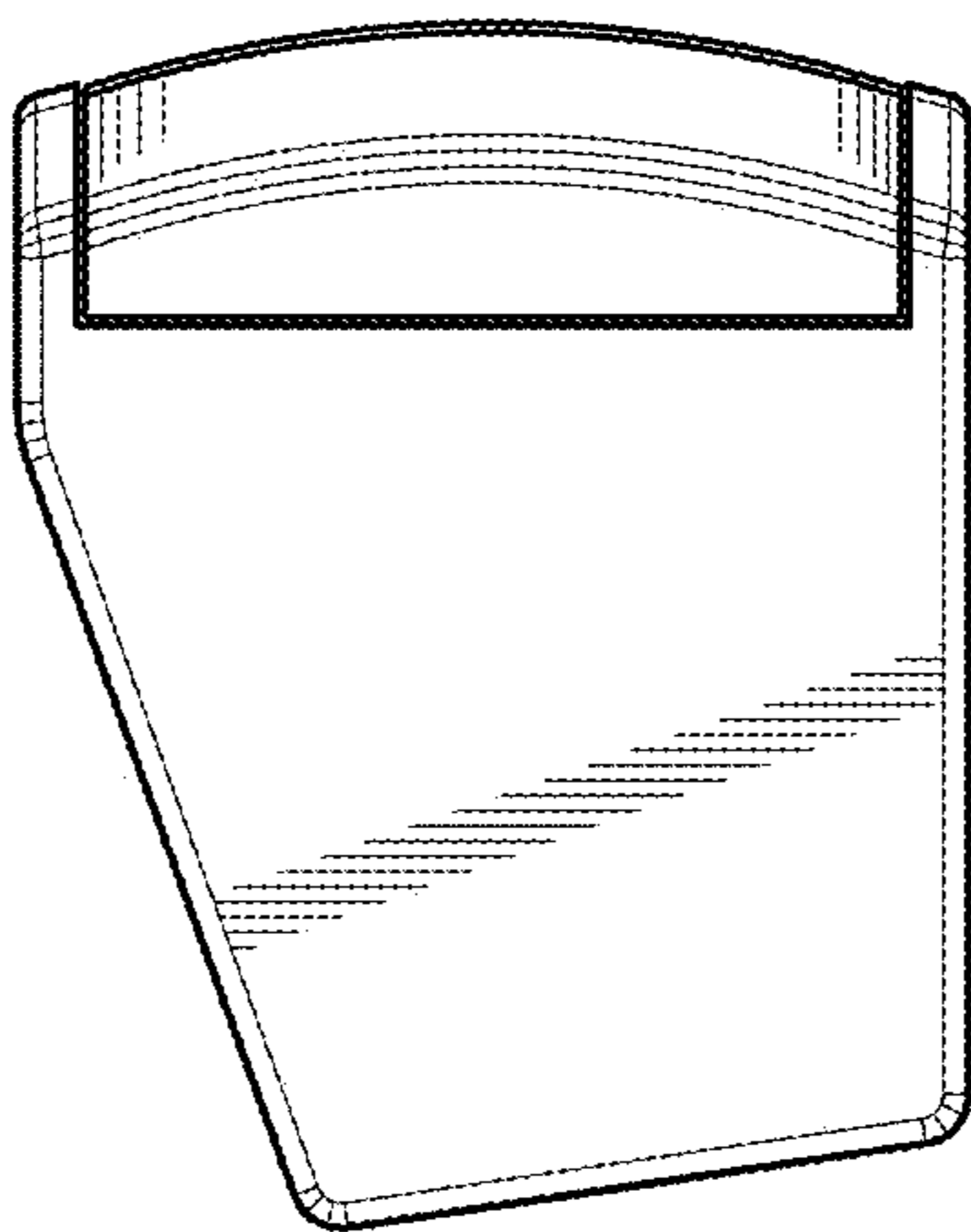


FIG. 6