



US00D756328S

(12) **United States Design Patent**  
**Warden**

(10) **Patent No.:** **US D756,328 S**  
(45) **Date of Patent:** **\*\* May 17, 2016**

(54) **LOUDSPEAKER**  
(71) Applicant: **Bose Corporation**, Framingham, MA  
(US)  
(72) Inventor: **Robert A. Warden**, Southborough, MA  
(US)  
(73) Assignee: **Bose Corporation**, Framingham, MA  
(US)

5,749,137 A \* 5/1998 Martin ..... H04R 1/026  
29/434  
D418,139 S \* 12/1999 Matsuoka ..... D14/214  
D484,484 S \* 12/2003 Green ..... D14/204  
7,298,860 B2 \* 11/2007 Engebretson ..... H04R 1/026  
381/335  
7,516,932 B2 \* 4/2009 Engebretson ..... H04R 1/026  
248/317  
D594,854 S \* 6/2009 Hawkins ..... D14/217  
D597,075 S \* 7/2009 Irii ..... D14/214  
D663,719 S \* 7/2012 Warden ..... D14/214  
D671,913 S \* 12/2012 Warden ..... D14/204

(\*\*) Term: **14 Years**

(21) Appl. No.: **29/493,734**

(22) Filed: **Jun. 12, 2014**

(51) **LOC (10) Cl.** ..... **14-01**

(52) **U.S. Cl.**  
USPC ..... **D14/204**

(58) **Field of Classification Search**  
USPC ..... D3/20, 200, 201, 273; D9/414, 423,  
D9/432; D14/188, 203.1, 203.3, 204, 210,  
D14/214, 221, 222, 314, 348, 365; 181/143,  
181/144, 147, 148, 150, 153, 157, 198,  
181/199; 381/300-303, 306, 332, 333, 336,  
381/345, 361-364, 386-388; 369/6-12  
CPC ..... H04R 1/02; H04R 1/021; H04R 1/023;  
H04R 5/00; H04R 9/06; H04R 2420/07  
See application file for complete search history.

(56) **References Cited**

**U.S. PATENT DOCUMENTS**

3,143,182 A \* 8/1964 Sears ..... H04R 1/2811  
181/153  
5,519,572 A \* 5/1996 Luo ..... G06F 1/183  
360/99.18  
D381,989 S \* 8/1997 Chang ..... D14/214

**OTHER PUBLICATIONS**

Bose Technical Data Sheet, Bose Professional Systems Division,  
RoomMatch® Utility RMU208 small-format foreground/fill loud-  
speaker, 2013.

\* cited by examiner

*Primary Examiner* — Derrick Holland

*Assistant Examiner* — Janice Lim

(57) **CLAIM**

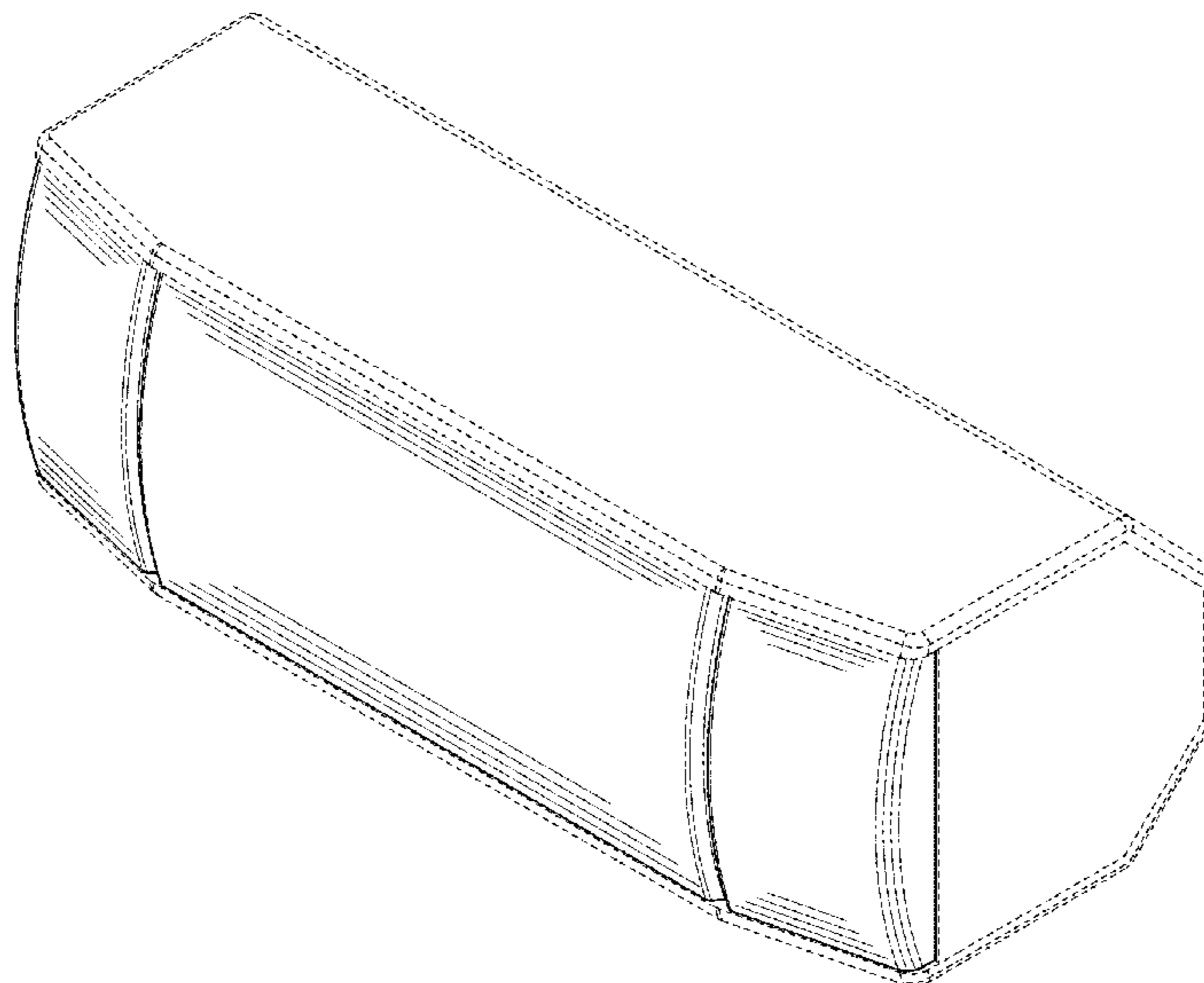
The ornamental design for a loudspeaker, substantially as  
shown and described.

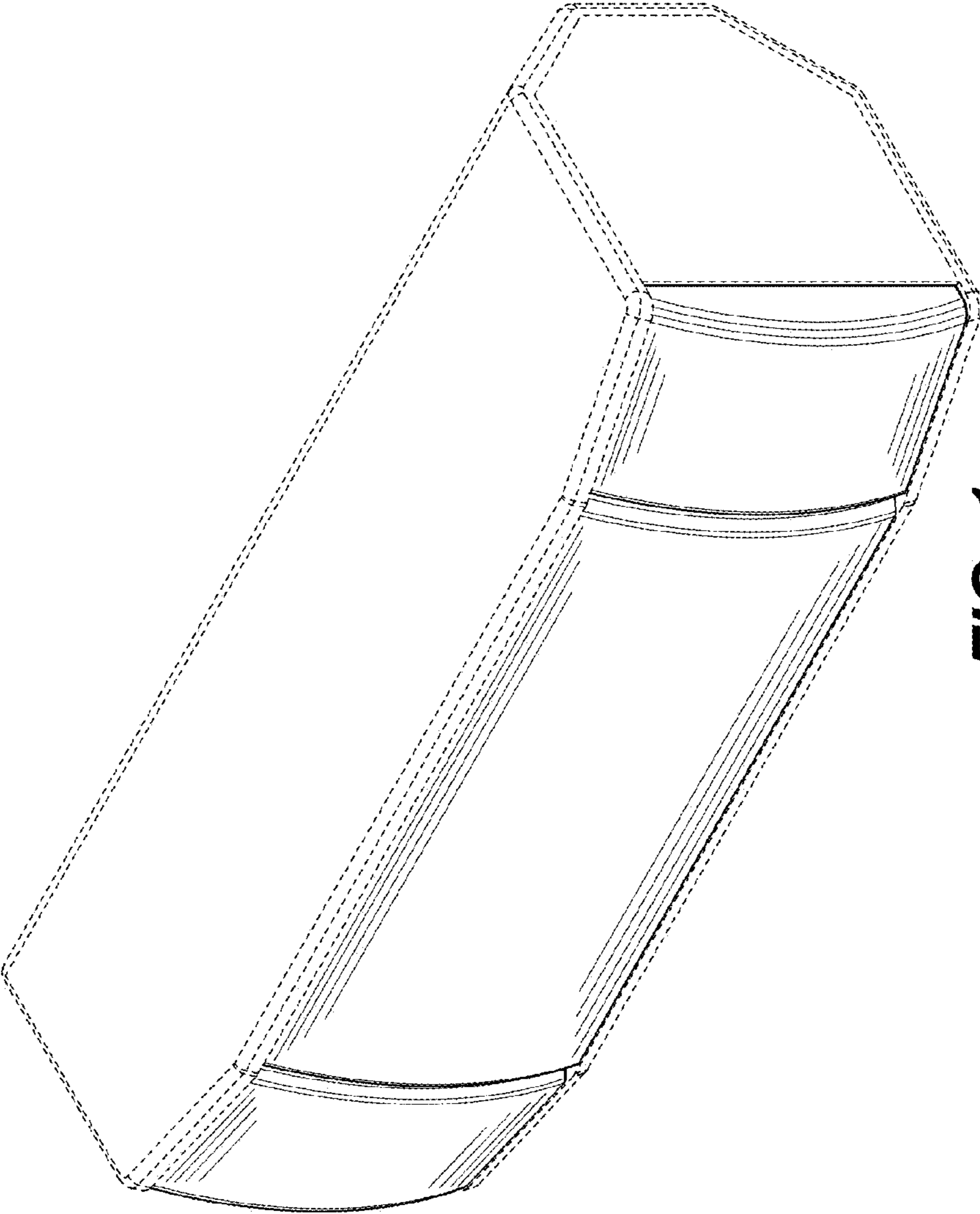
**DESCRIPTION**

FIG. 1 is a top, front, right perspective view of a loudspeaker,  
showing my new design;  
FIG. 2 is a front view thereof;  
FIG. 3 is a back view thereof;  
FIG. 4 is a top plan view thereof;  
FIG. 5 is a bottom plan view thereof;  
FIG. 6 is a left side view thereof; and,  
FIG. 7 is a right side view thereof.

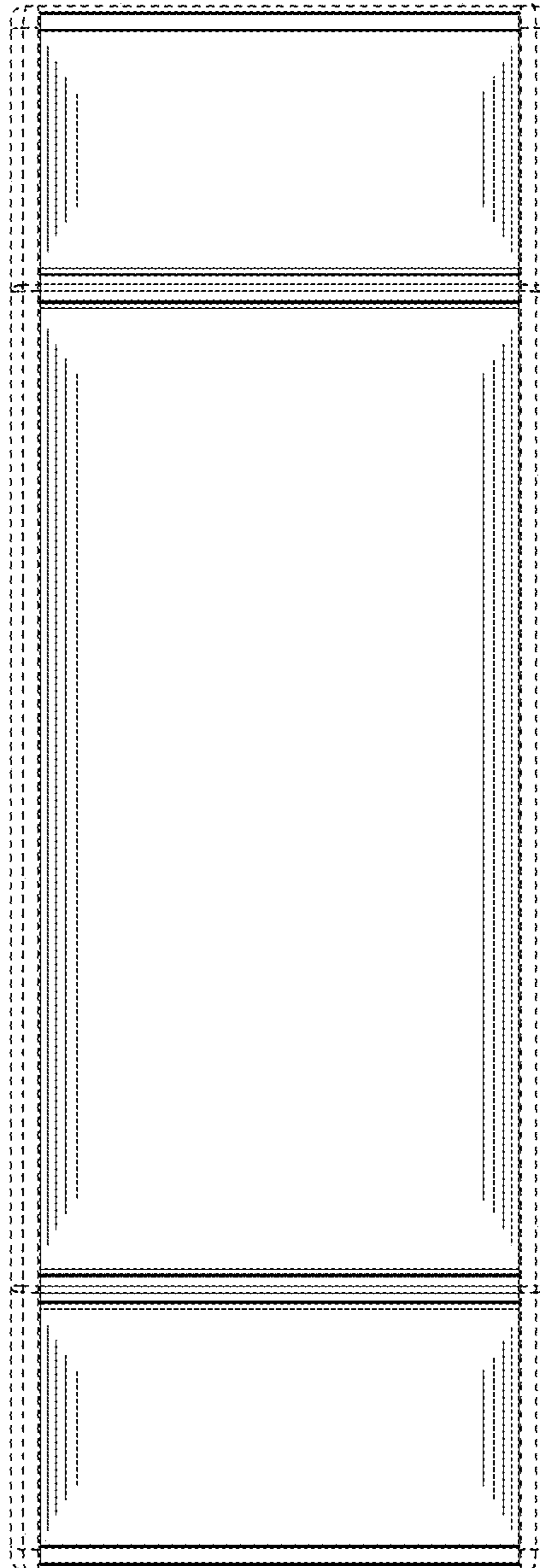
The broken line portions of FIGS. 1-7 are included to show  
unclaimed subject matter only and form no part of the claimed  
design.

**1 Claim, 6 Drawing Sheets**

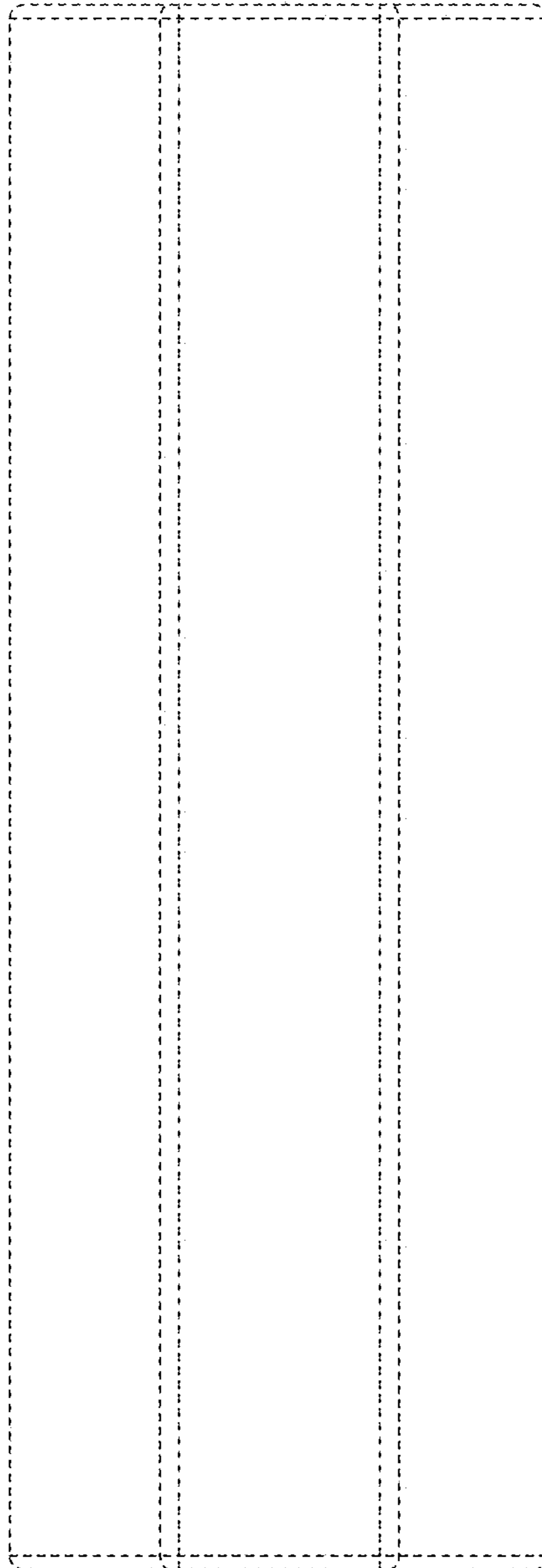




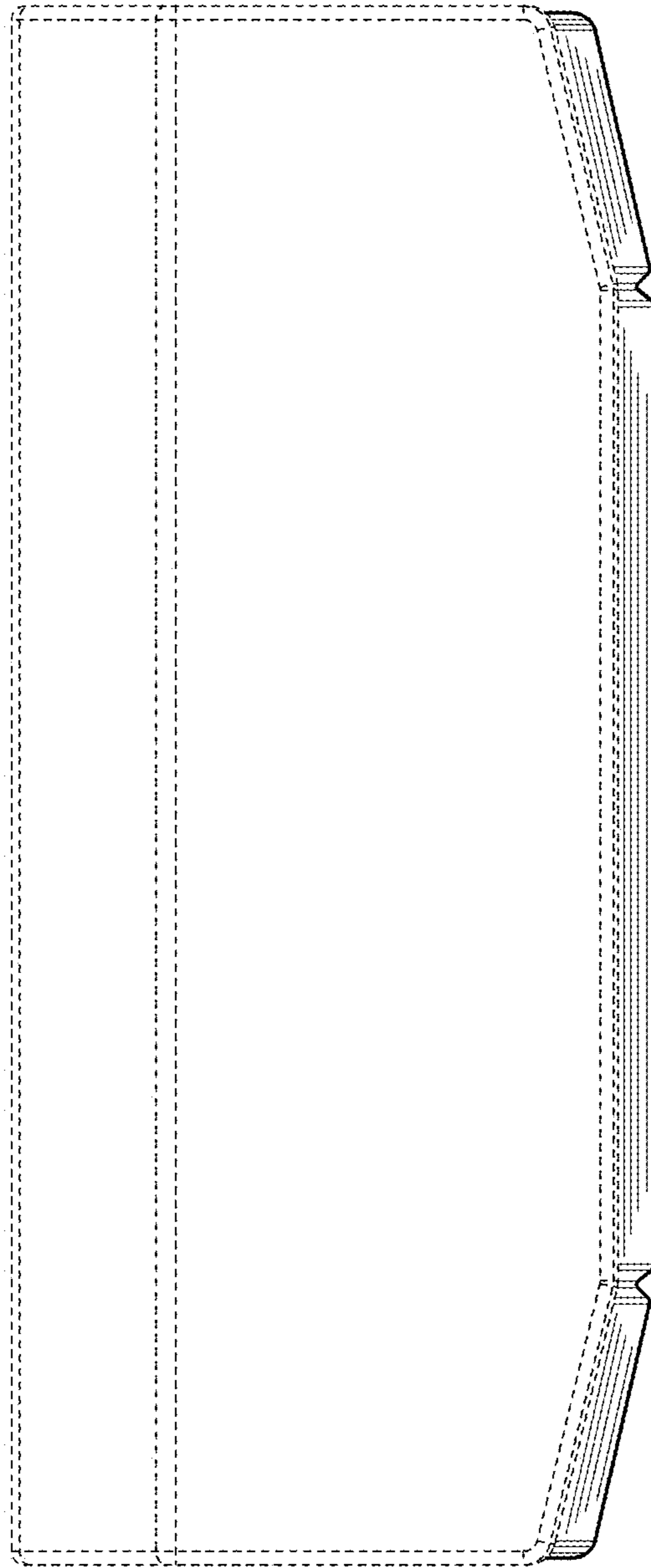
**FIG. 1**



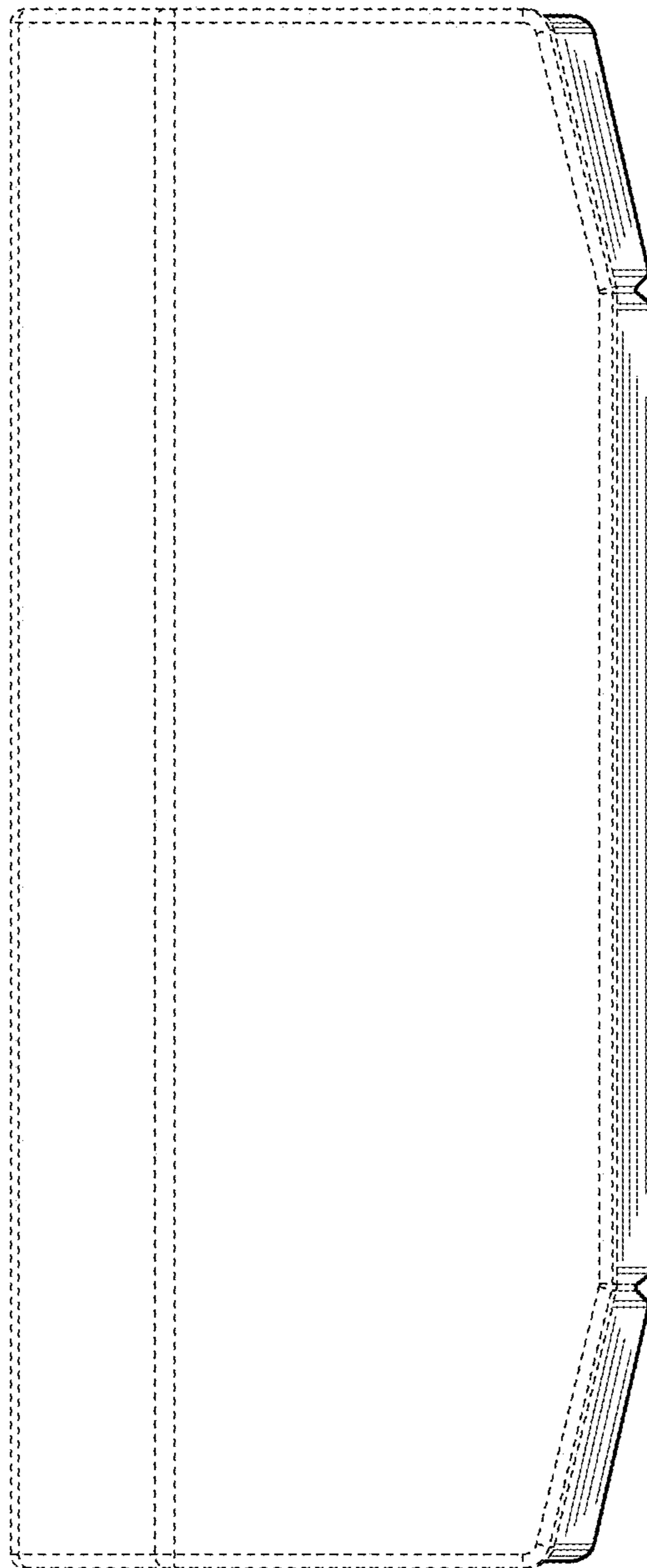
**FIG. 2**



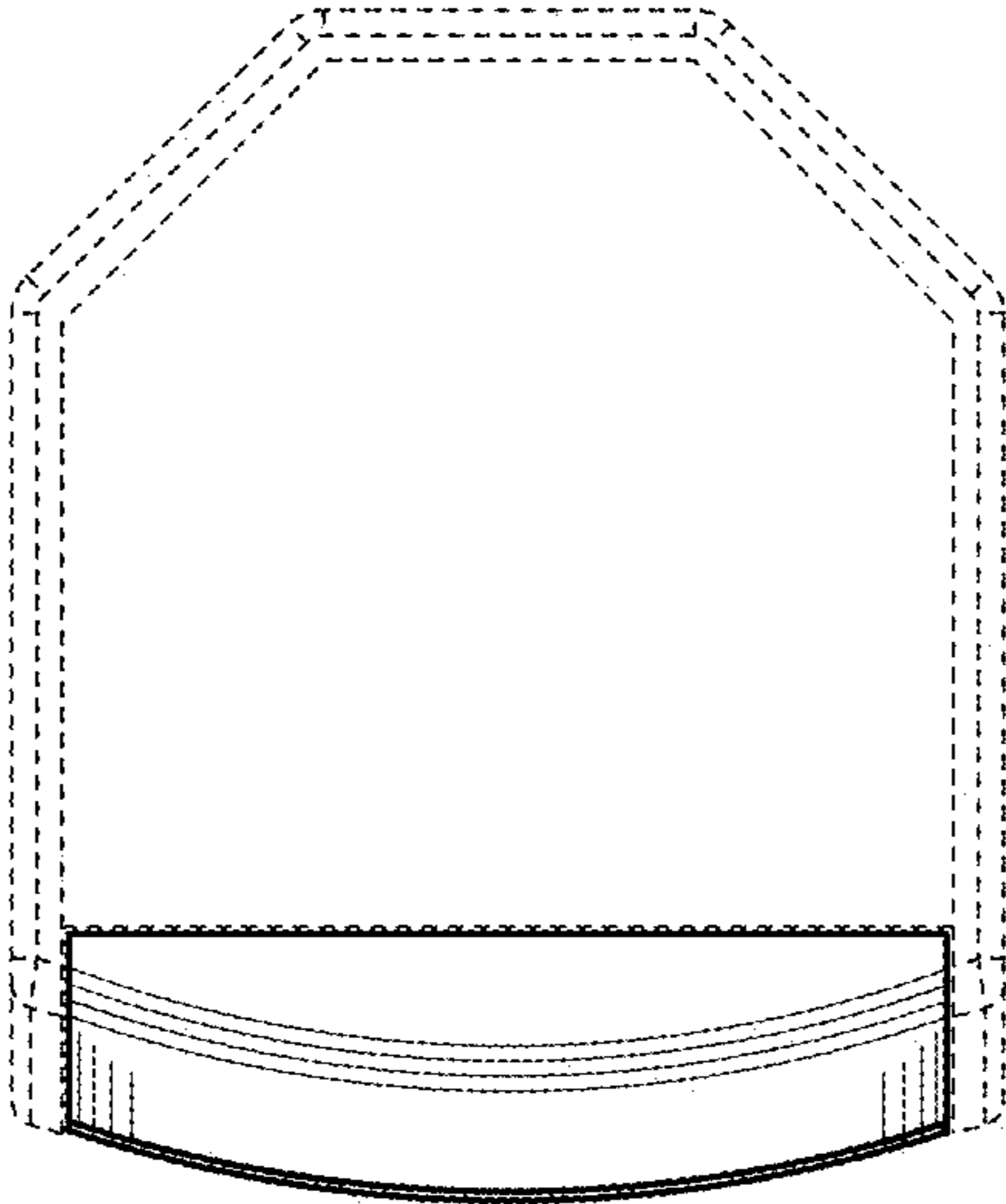
**FIG. 3**



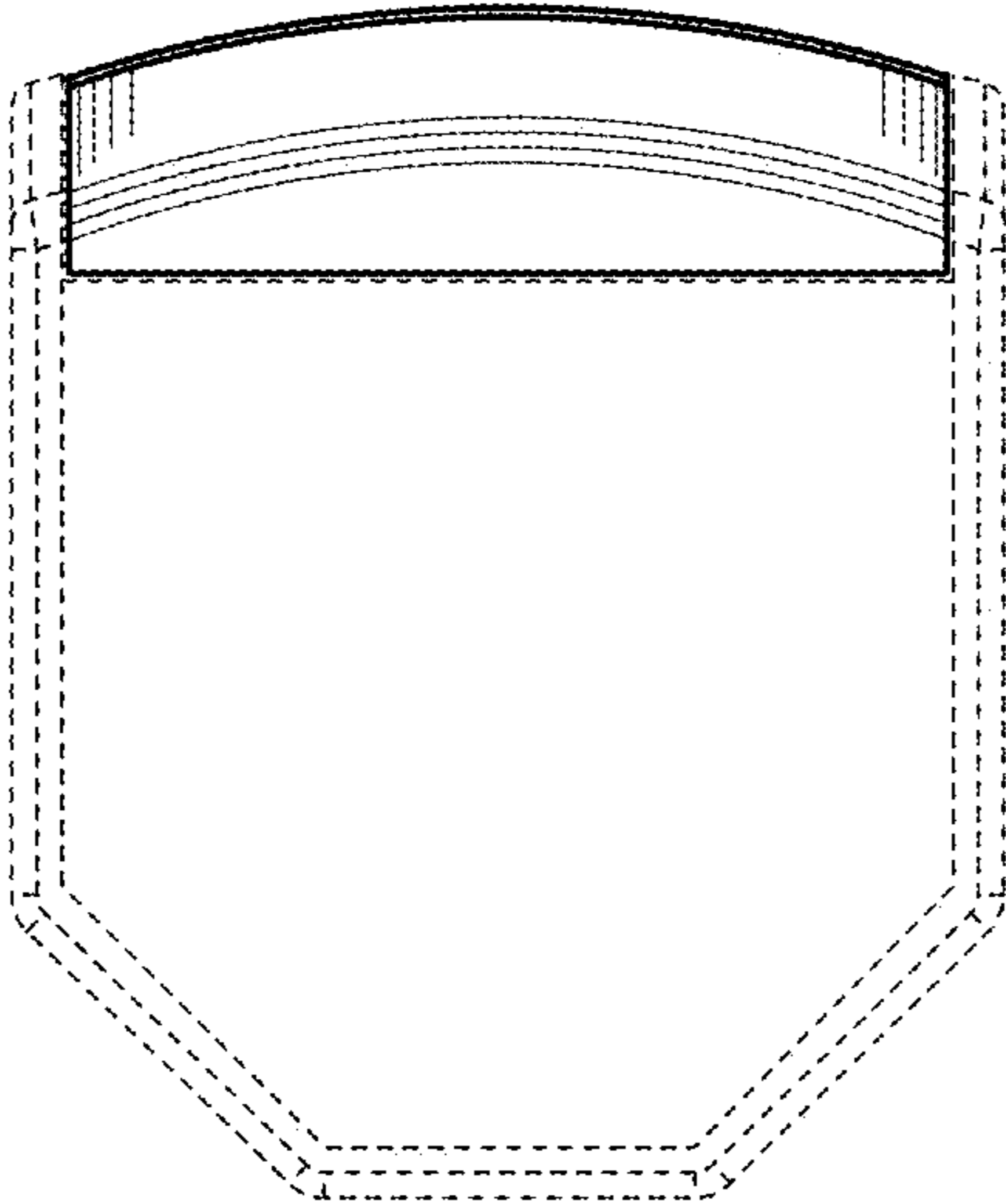
**FIG. 4**



**FIG. 5**



**FIG. 7**



**FIG. 6**