



US00D756327S

(12) **United States Design Patent**
Conti et al.

(10) **Patent No.:** **US D756,327 S**

(45) **Date of Patent:** **** May 17, 2016**

- (54) **SPEAKER HOUSING**
- (71) Applicant: **Autodesk, Inc.**, San Rafael, CA (US)
- (72) Inventors: **Maurice Ugo Conti**, Muir Beach, CA (US); **Evan Patrick Atherton**, Foster City, CA (US)
- (73) Assignee: **AUTODESK, Inc.**, San Rafael, CA (US)
- (**) Term: **14 Years**
- (21) Appl. No.: **29/482,091**
- (22) Filed: **Feb. 13, 2014**
- (51) **LOC (10) Cl.** **14-01**
- (52) **U.S. Cl.**
USPC **D14/204**
- (58) **Field of Classification Search**
USPC D9/451, 454, 651; D11/43, 76, 79, 86, D11/89, 125; D14/143, 160-165, 176, 188, D14/189, 196-198, 200, 203.2, 203.6, 204, D14/207, 209.1, 215, 216, 221, 225, 227, D14/228, 265, 299, 480.2, 508; 369/75.11, 369/75.21, 77.11, 77.21; 455/344, 455/347-351; 720/612, 619, 647, 655
CPC A63B 41/085; A63B 2243/0066; G06F 1/1632; G06F 1/1628; G06F 17/00; H04B 1/06; H04B 1/08; H04R 1/02; H04R 1/021; H04R 1/288; H04R 5/02; H04R 25/60; H04R 25/65; H04R 25/608; H04R 2420/07; H05K 11/00; Y10T 24/37; Y10T 428/26; Y10T 428/24512; Y10T 428/24496
See application file for complete search history.

6,471,605	B2 *	10/2002	Ogg	473/383
D510,966	S *	10/2005	Michishita	D21/709
D514,093	S *	1/2006	Borsboom	D14/216
D514,548	S *	2/2006	Chan	D14/216
D519,112	S *	4/2006	Yang	D14/228
D615,878	S *	5/2010	Berliat	D10/22
D636,682	S *	4/2011	Gilliard, II	D9/668
2008/0137880	A1 *	6/2008	Mills et al.	381/79

OTHER PUBLICATIONS

White Hobnail Sphere Westmoreland Vase, publically known in 1960s, [online], site visited Jul. 22, 2015. Available from Internet, <URL: <http://www.etsy.com>>.*

* cited by examiner

Primary Examiner — Derrick Holland

Assistant Examiner — Janice Lim

(74) *Attorney, Agent, or Firm* — Artegis Law Group, LLP

(57) **CLAIM**

The ornamental design for a speaker housing, as shown and described.

DESCRIPTION

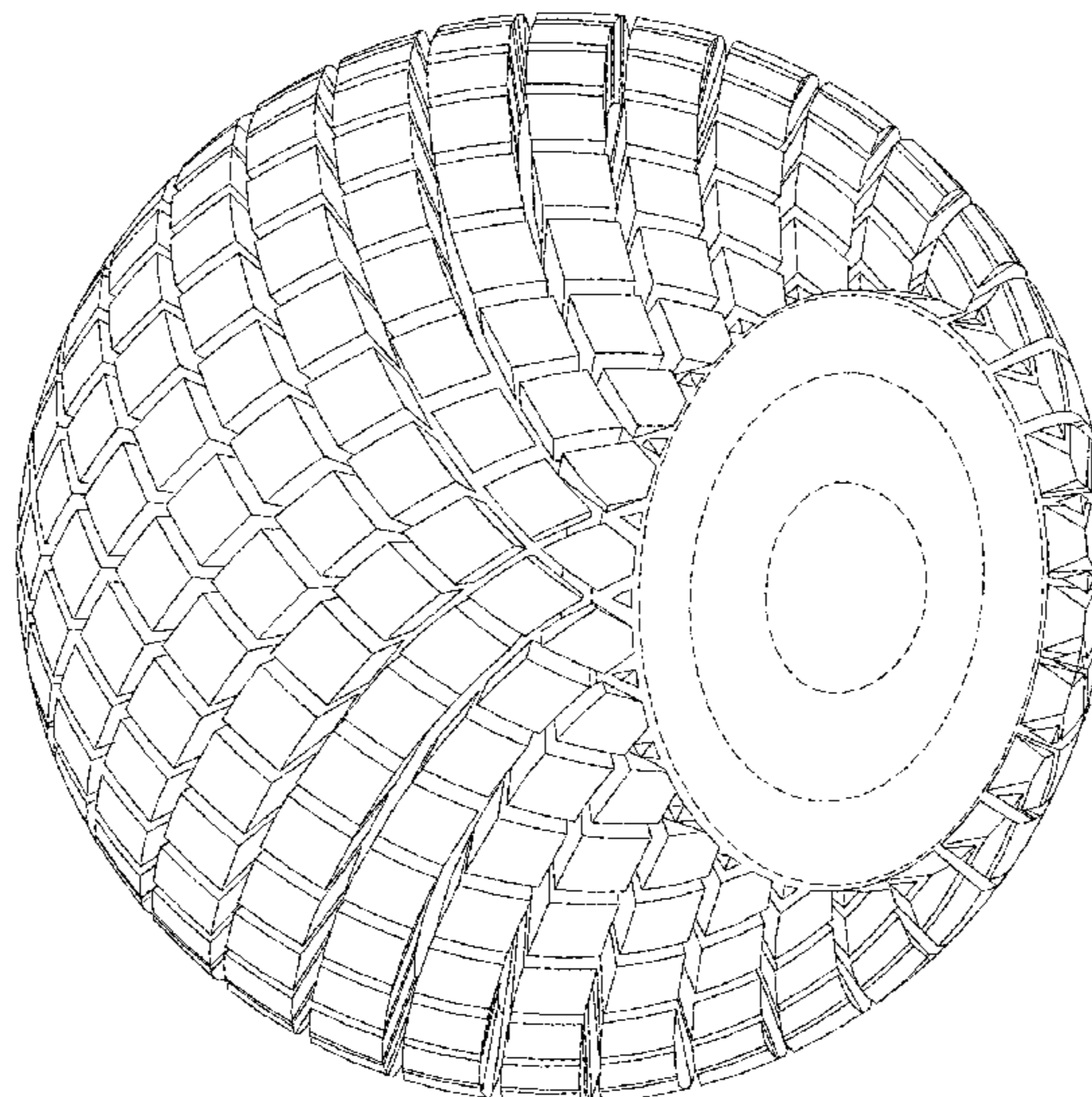
FIG. 1 is a top perspective view of a speaker housing showing our new design;
FIG. 2 is a bottom perspective view thereof;
FIG. 3 is a front elevational view thereof;
FIG. 4 is a rear elevational view thereof;
FIG. 5 is a left side elevational view thereof, and the right side elevational view being a mirror image thereof;
FIG. 6 is a top plan view thereof; and,
FIG. 7 is a bottom plan view thereof.
The broken line portions in FIGS. 1-4, 6, and 7 show unclaimed subject matter only and form no part of the claimed design.

(56) **References Cited**

U.S. PATENT DOCUMENTS

D434,325	S *	11/2000	Jivago	D9/651
D449,358	S *	10/2001	Ogg	D21/708

1 Claim, 7 Drawing Sheets



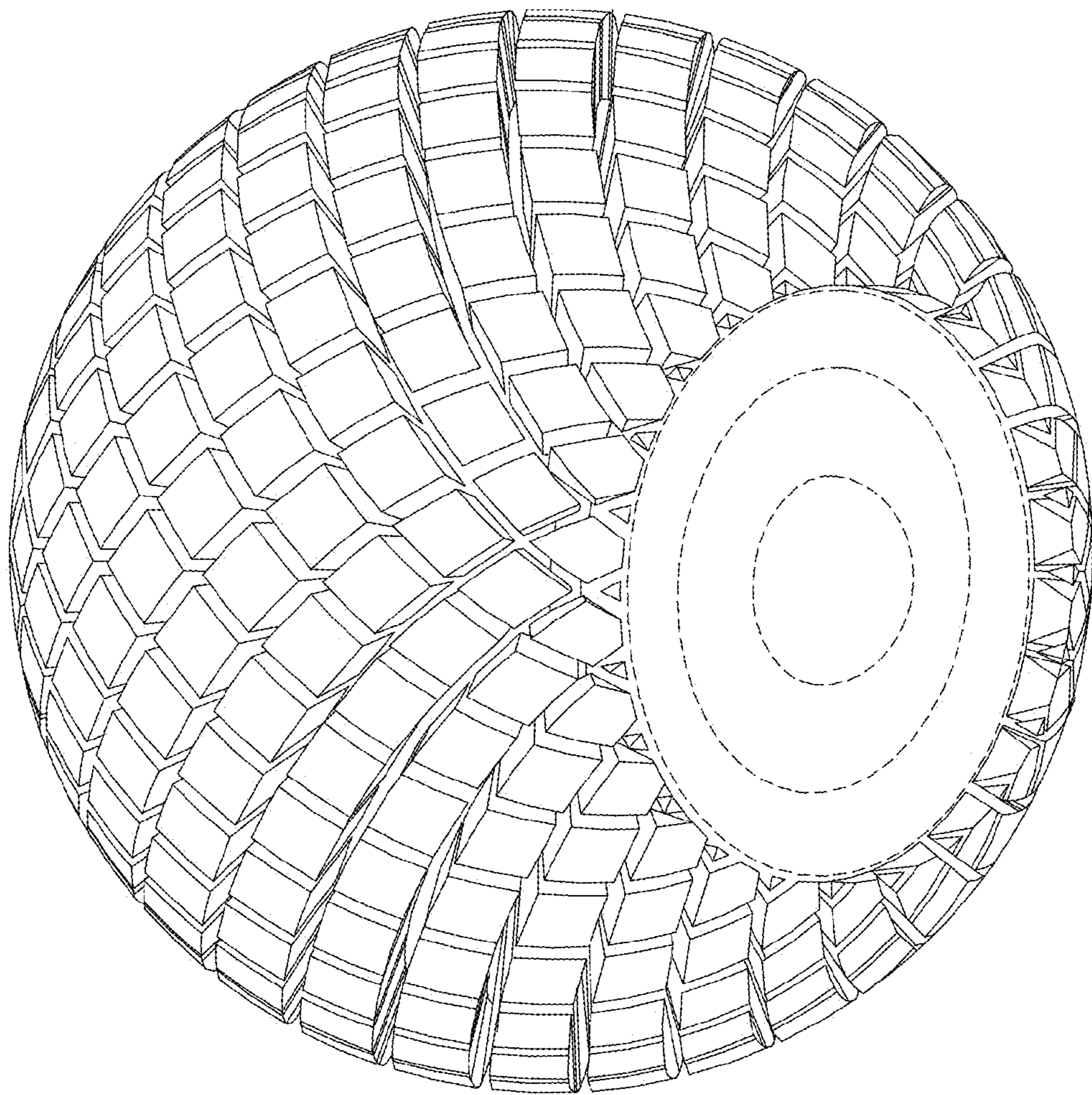


FIG. 1

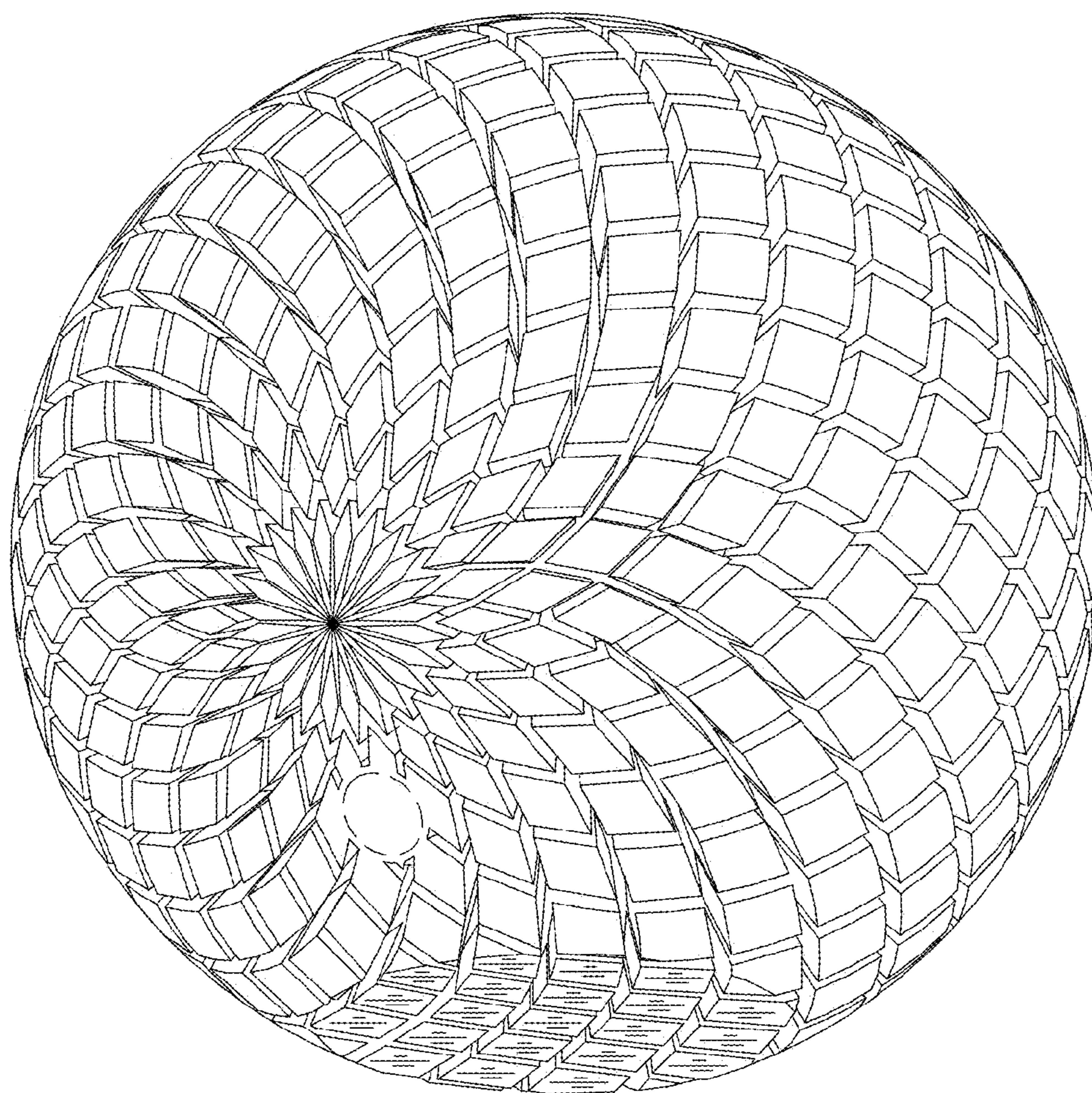


FIG. 2

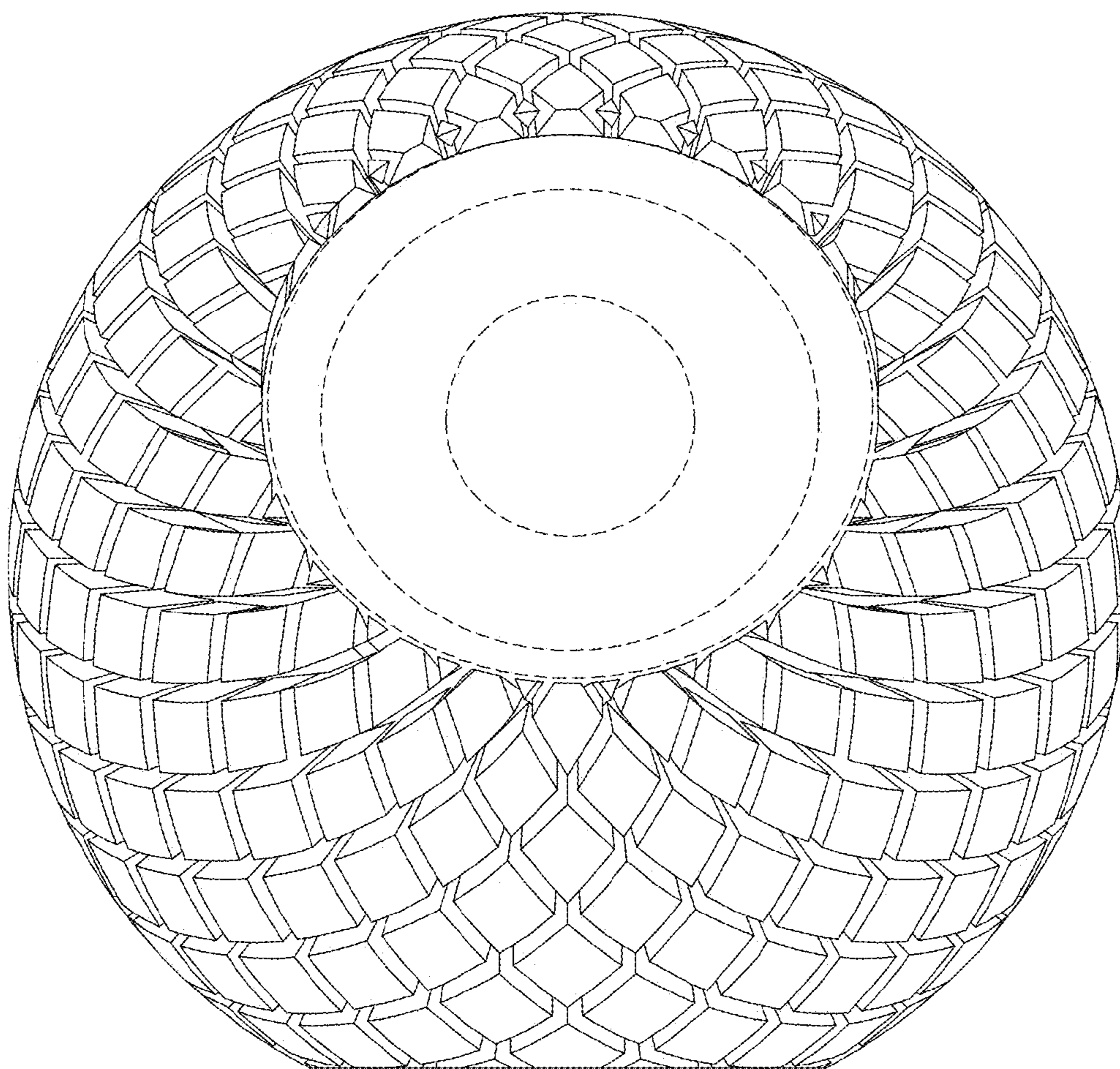


FIG. 3

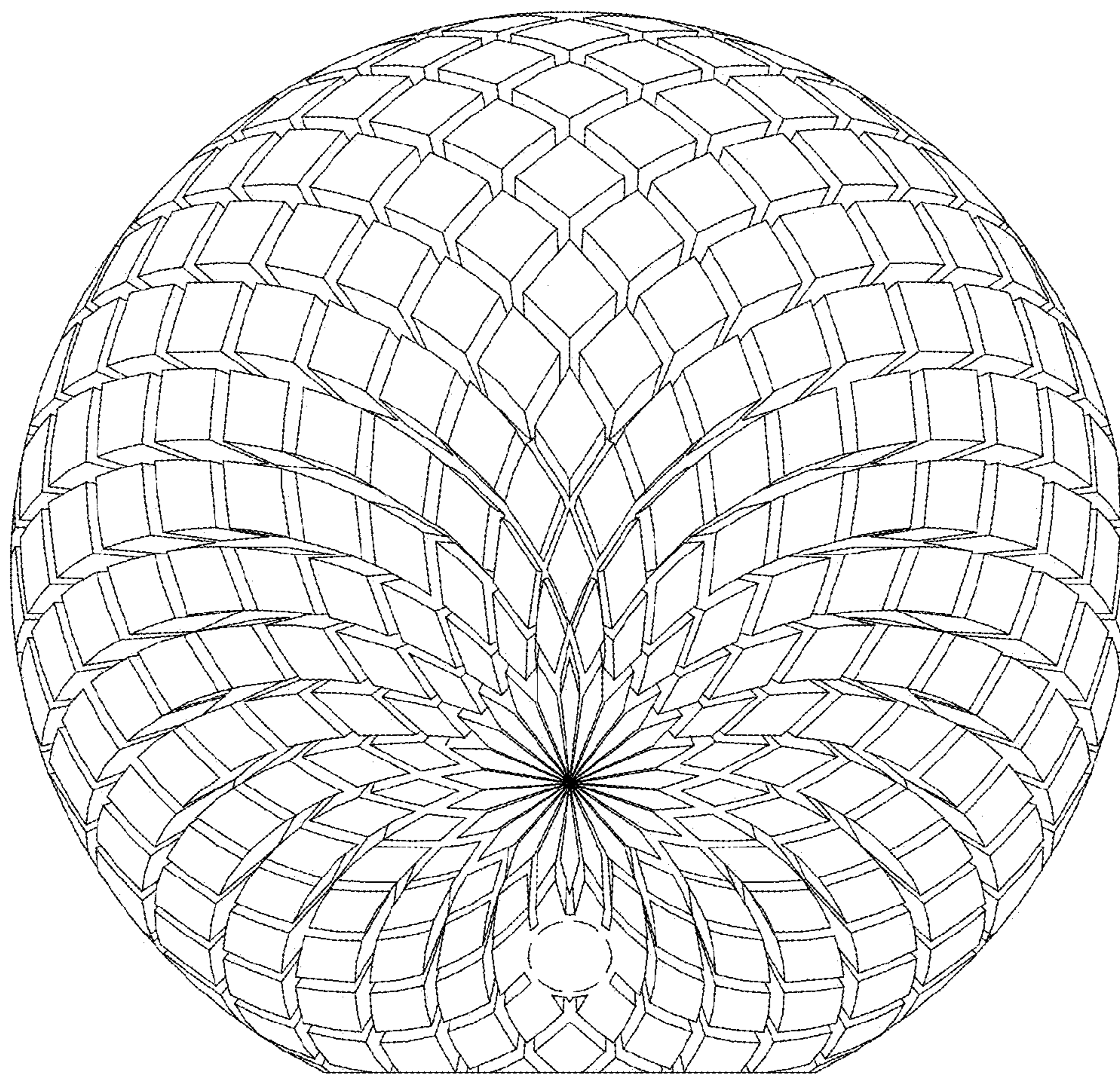


FIG. 4

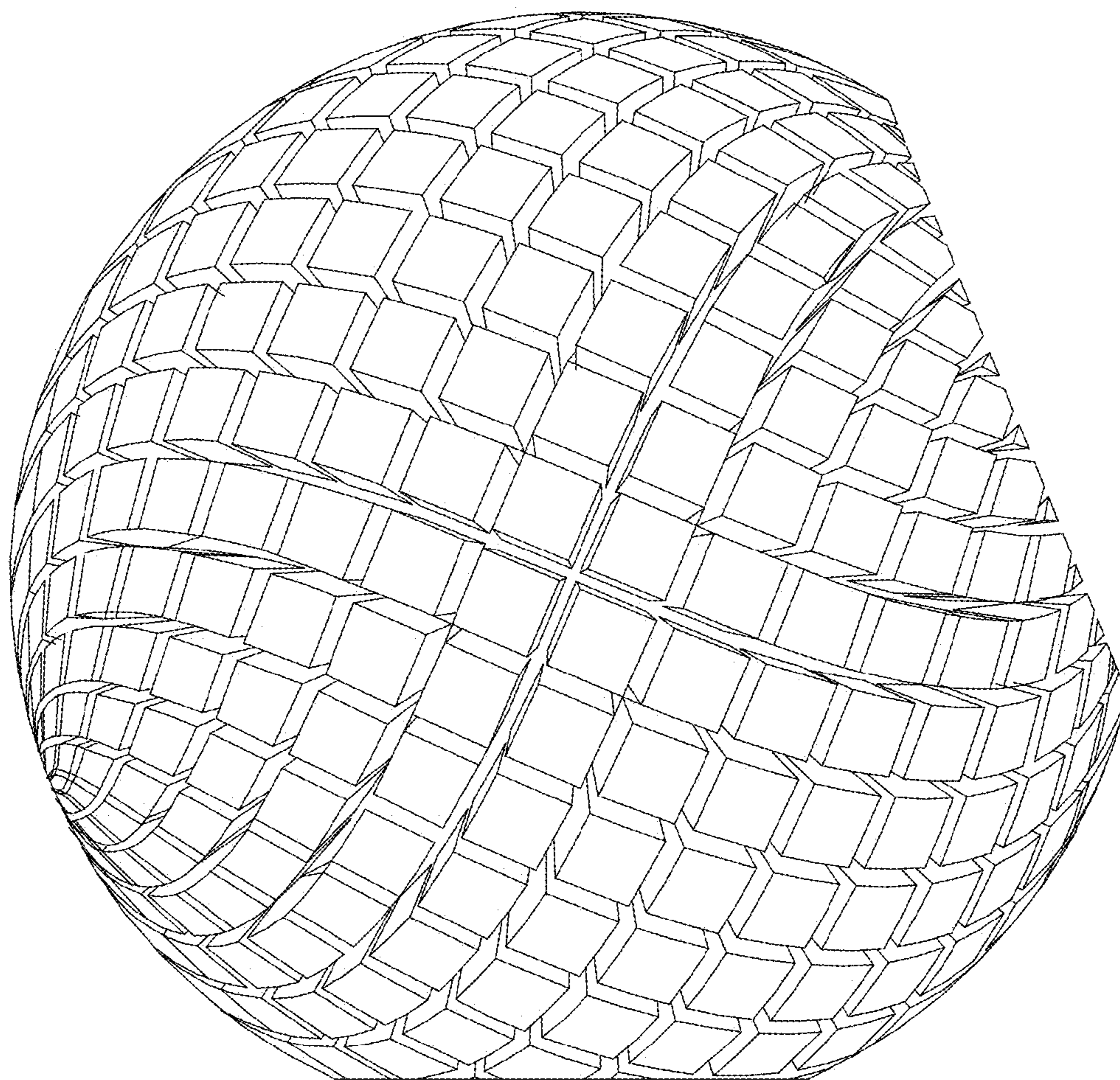


FIG. 5

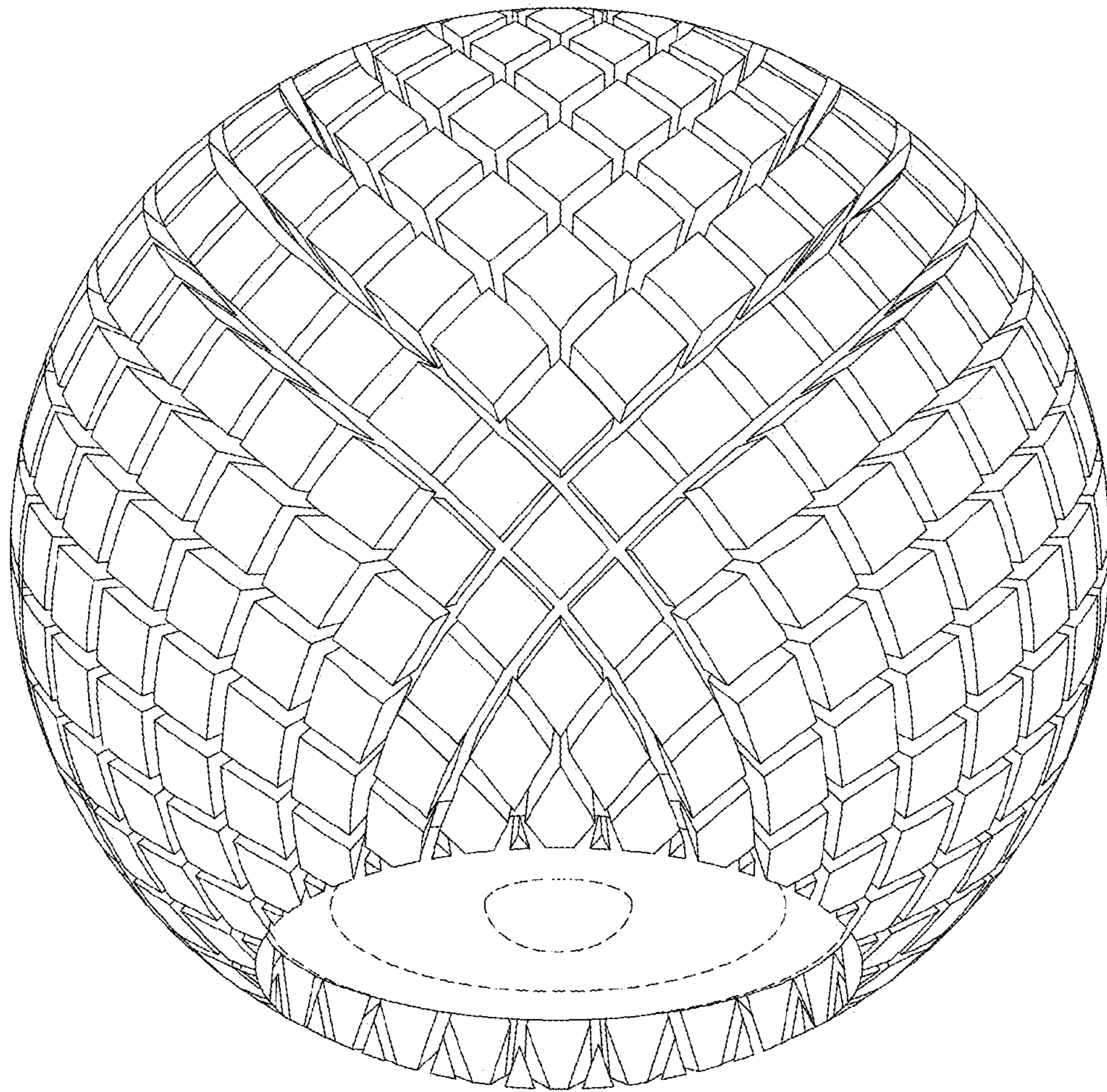


FIG. 6

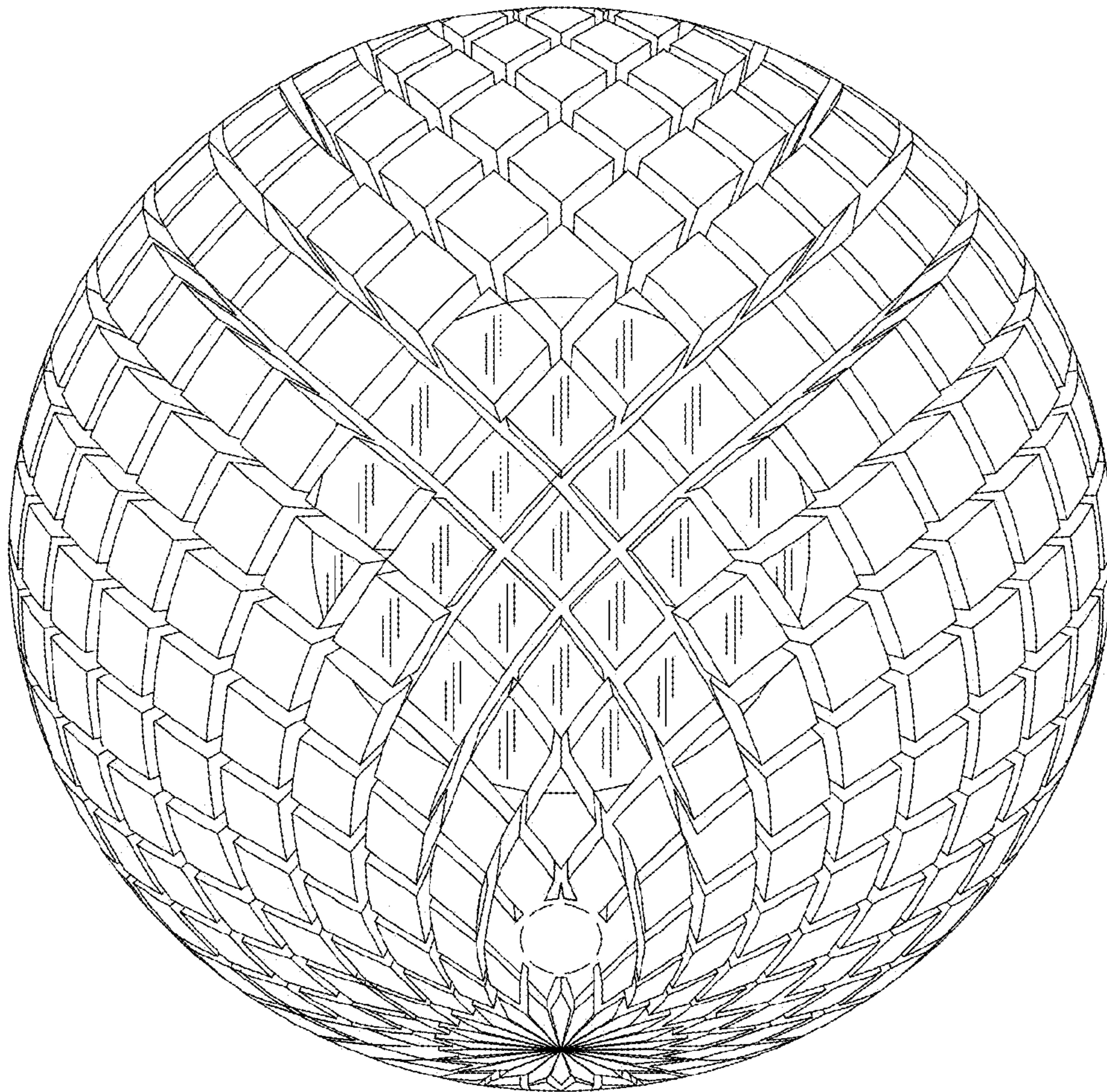


FIG. 7