



US00D756326S

(12) **United States Design Patent**  
**Holzer**

(10) **Patent No.:** **US D756,326 S**

(45) **Date of Patent:** **\*\* May 17, 2016**

(54) **LED ILLUMINATED CLOCK RADIO**

(71) Applicant: **Eric Holzer**, Piscataway, NJ (US)

(72) Inventor: **Eric Holzer**, Piscataway, NJ (US)

(73) Assignee: **SDI TECHNOLOGIES, INC.**, Rahway, NJ (US)

(\*\*) Term: **14 Years**

(21) Appl. No.: **29/509,079**

(22) Filed: **Nov. 13, 2014**

(51) **LOC (10) Cl.** ..... **14-01**

(52) **U.S. Cl.**  
USPC ..... **D14/171**

(58) **Field of Classification Search**  
USPC ..... D14/168-171, 188-198, 204-216, 496,  
D14/498-511; 455/90.1-90.3, 344-355;  
312/7.1; 369/6-12  
CPC ..... H04B 1/06; H04B 1/08; H04B 1/086  
See application file for complete search history.

(56) **References Cited**

U.S. PATENT DOCUMENTS

D478,890 S \* 8/2003 Ng ..... D14/170  
D500,998 S \* 1/2005 Inoue ..... D14/171  
D510,926 S \* 10/2005 Jerome ..... D14/168  
D552,054 S \* 10/2007 Pena Angarita ..... D14/496  
D567,673 S \* 4/2008 Chu ..... D10/15

D582,394 S \* 12/2008 Hong ..... D14/216  
D588,022 S \* 3/2009 Hoberman ..... D10/15  
D626,147 S \* 10/2010 Goddard ..... D14/496  
D642,157 S \* 7/2011 Holzer ..... D14/209.1  
D645,846 S \* 9/2011 Mordechai ..... D14/216  
D647,502 S \* 10/2011 Holzer ..... D14/168

\* cited by examiner

*Primary Examiner* — Sandra Morris

(74) *Attorney, Agent, or Firm* — Ostrolenk Faber LLP

(57) **CLAIM**

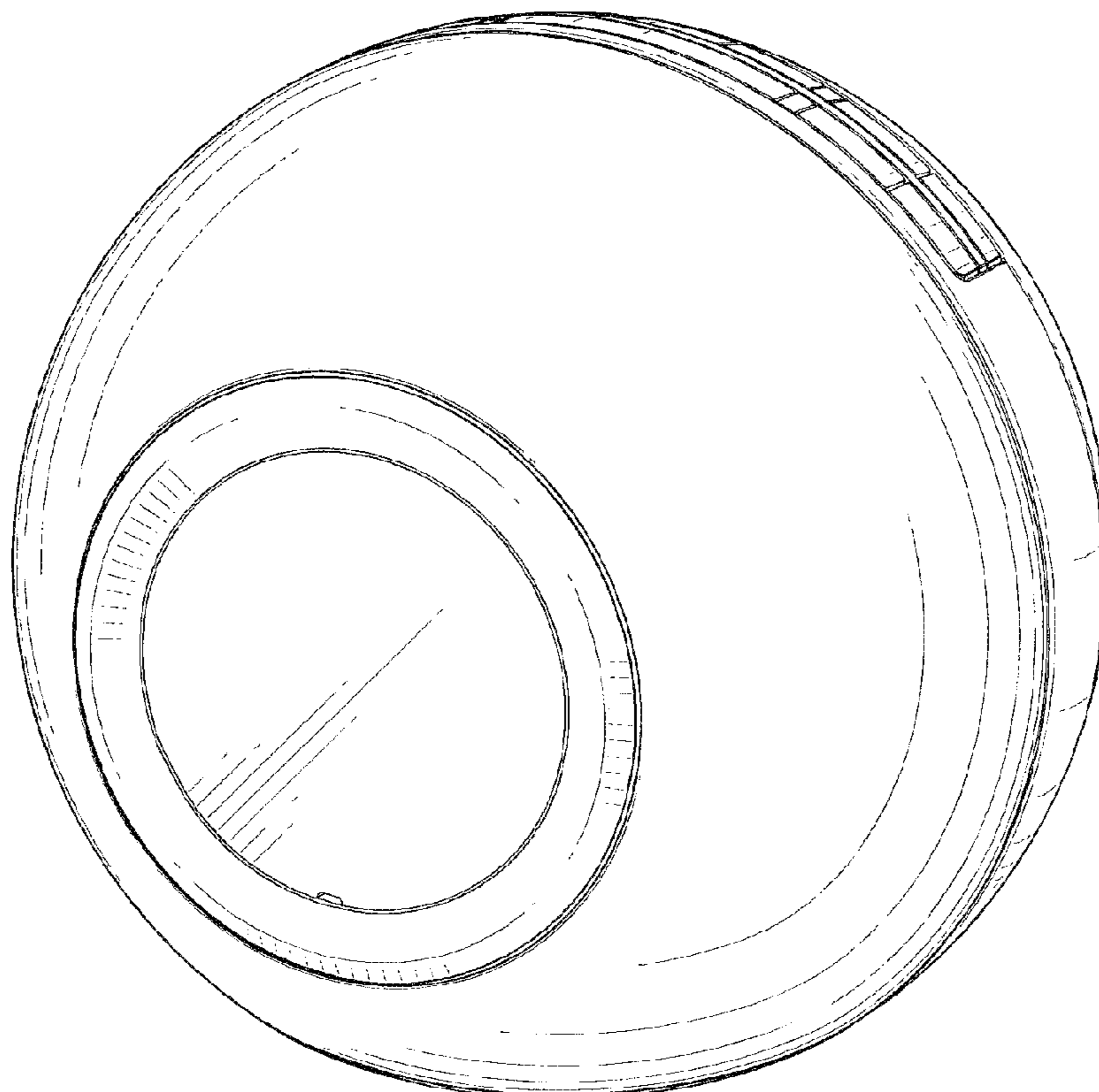
The ornamental design for a LED illuminated clock radio, as shown and described.

**DESCRIPTION**

FIG. 1 is a front perspective view of a LED illuminated clock radio showing my new design;  
FIG. 2 is a front view thereof;  
FIG. 3 is a rear view thereof;  
FIG. 4 is a top view thereof;  
FIG. 5 is a bottom view thereof;  
FIG. 6 is a side view thereof, the opposite side view being a mirror image; and,  
FIG. 7 is a cross-sectional view thereof along line 7-7 in FIG. 2.

The broken lines in the drawings illustrate environmental material that forms no part of the claimed design.

**1 Claim, 7 Drawing Sheets**



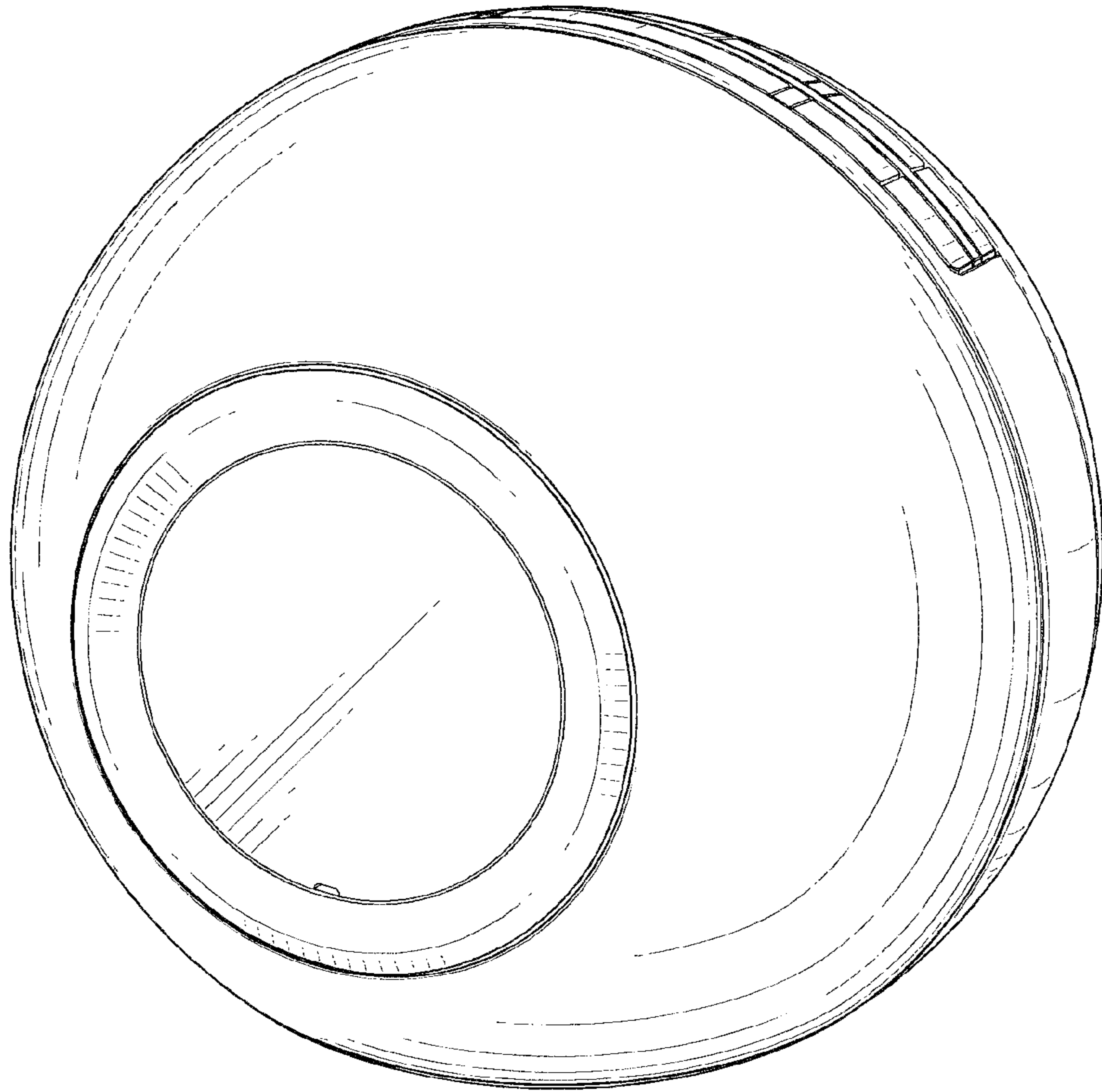


FIG. 1

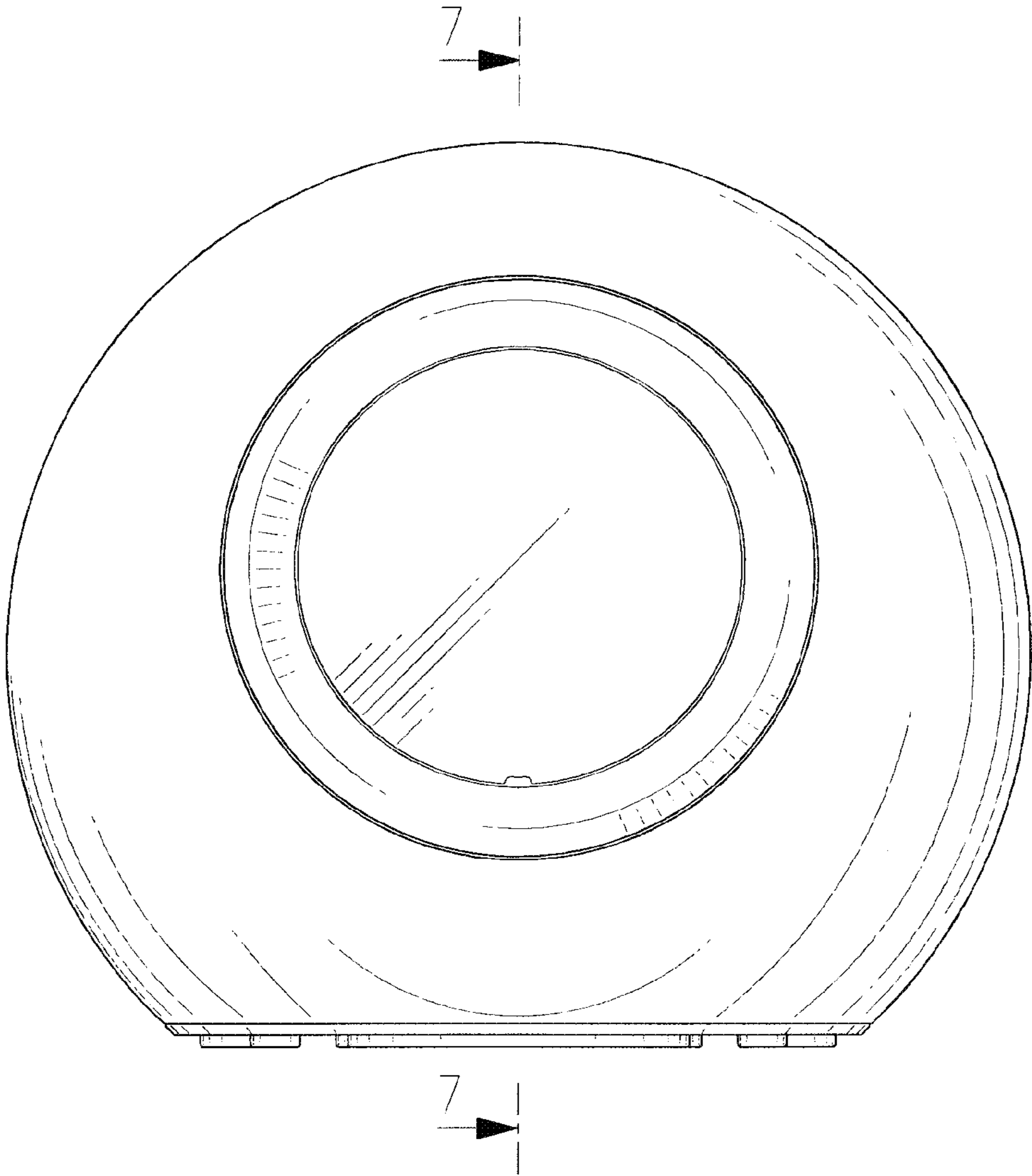


FIG. 2

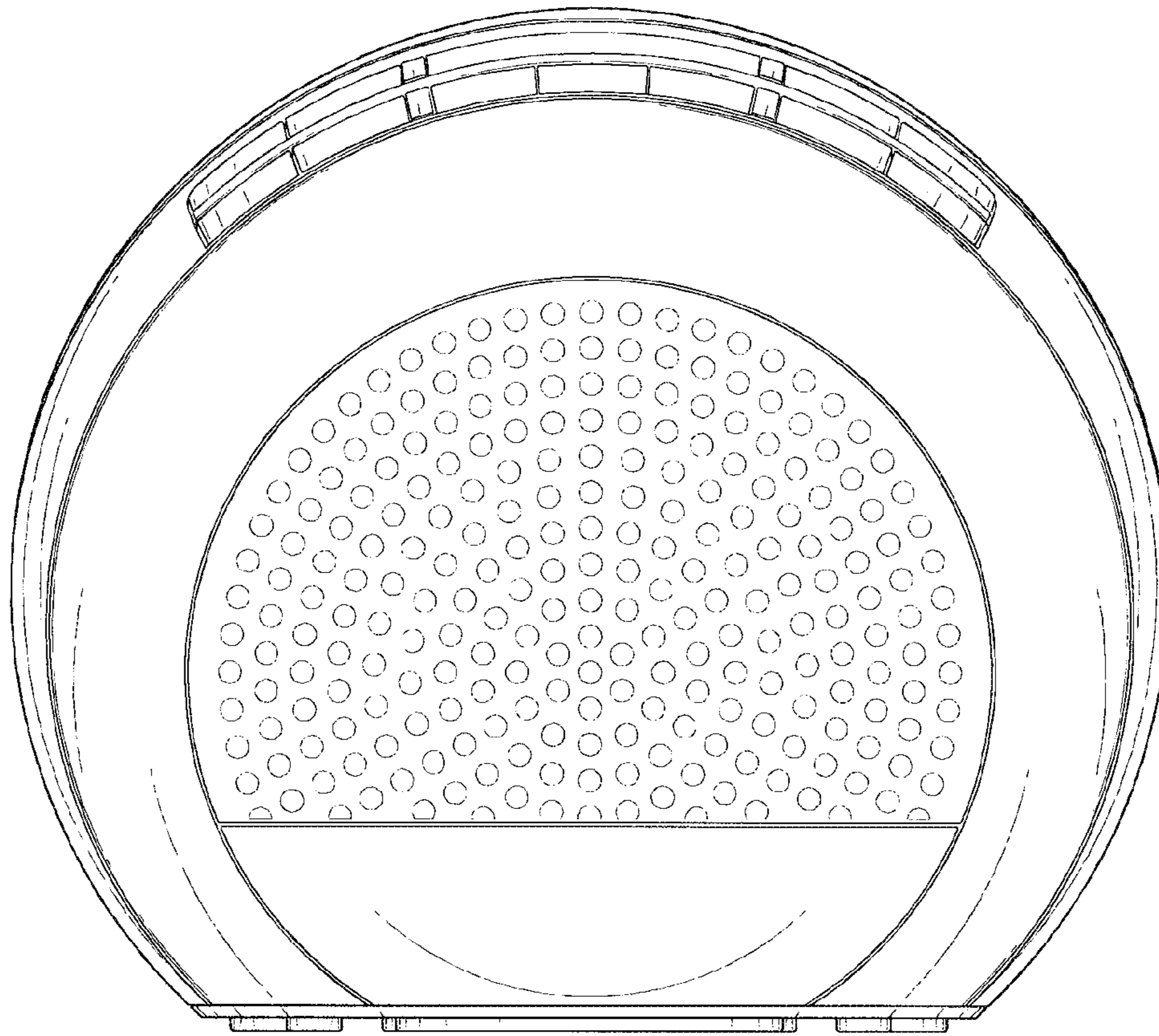


FIG. 3



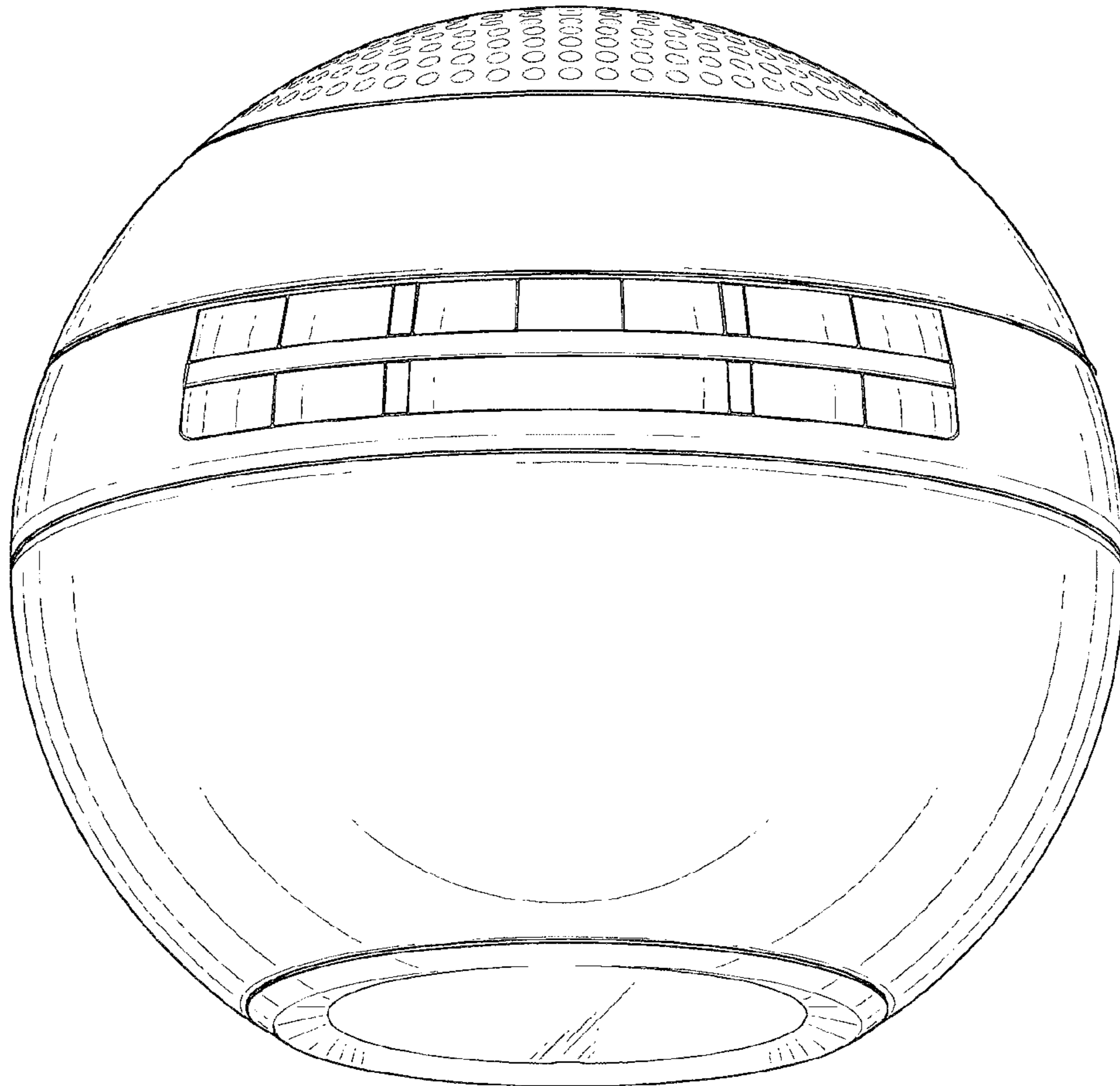


FIG. 4

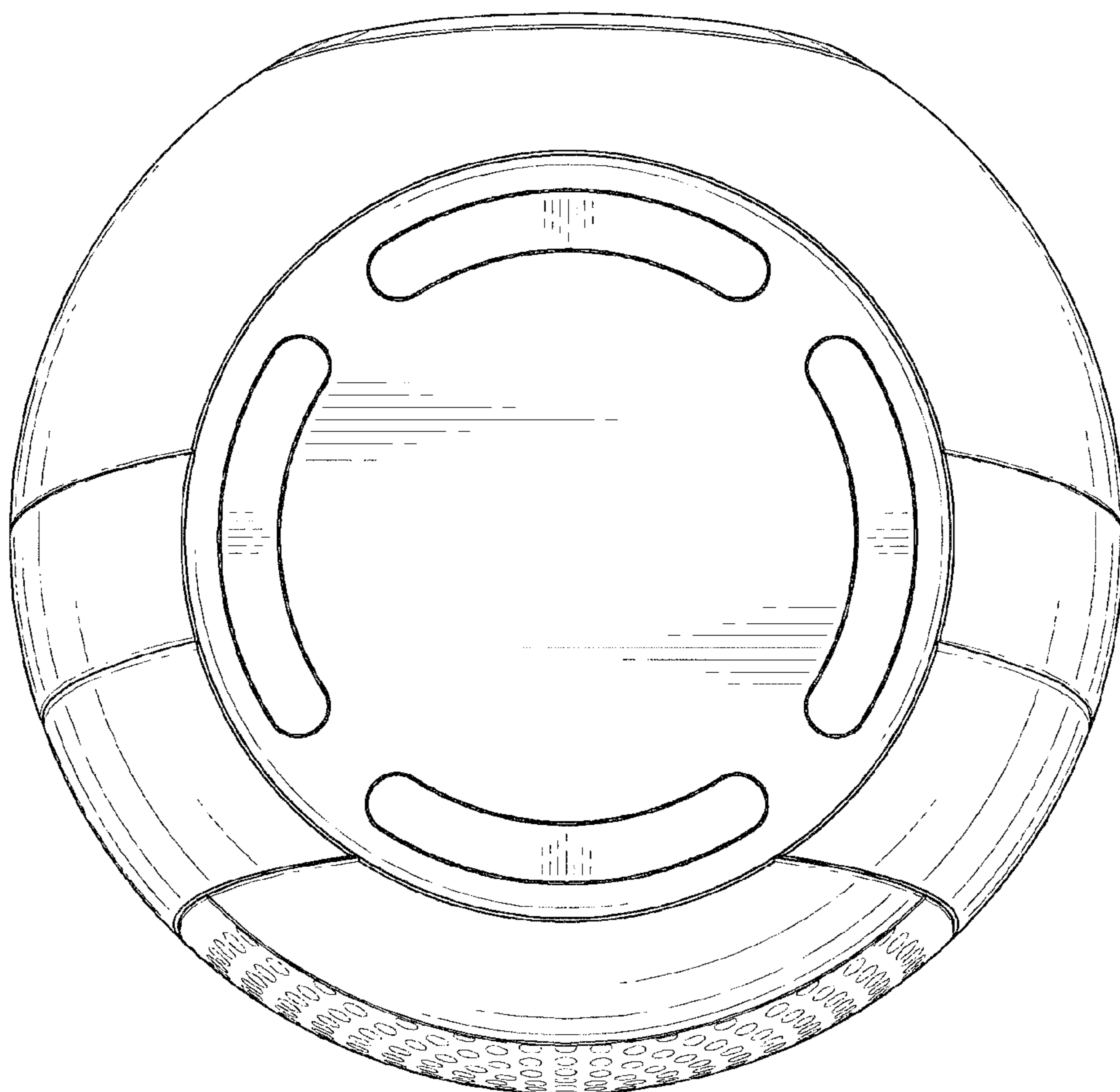


FIG. 5

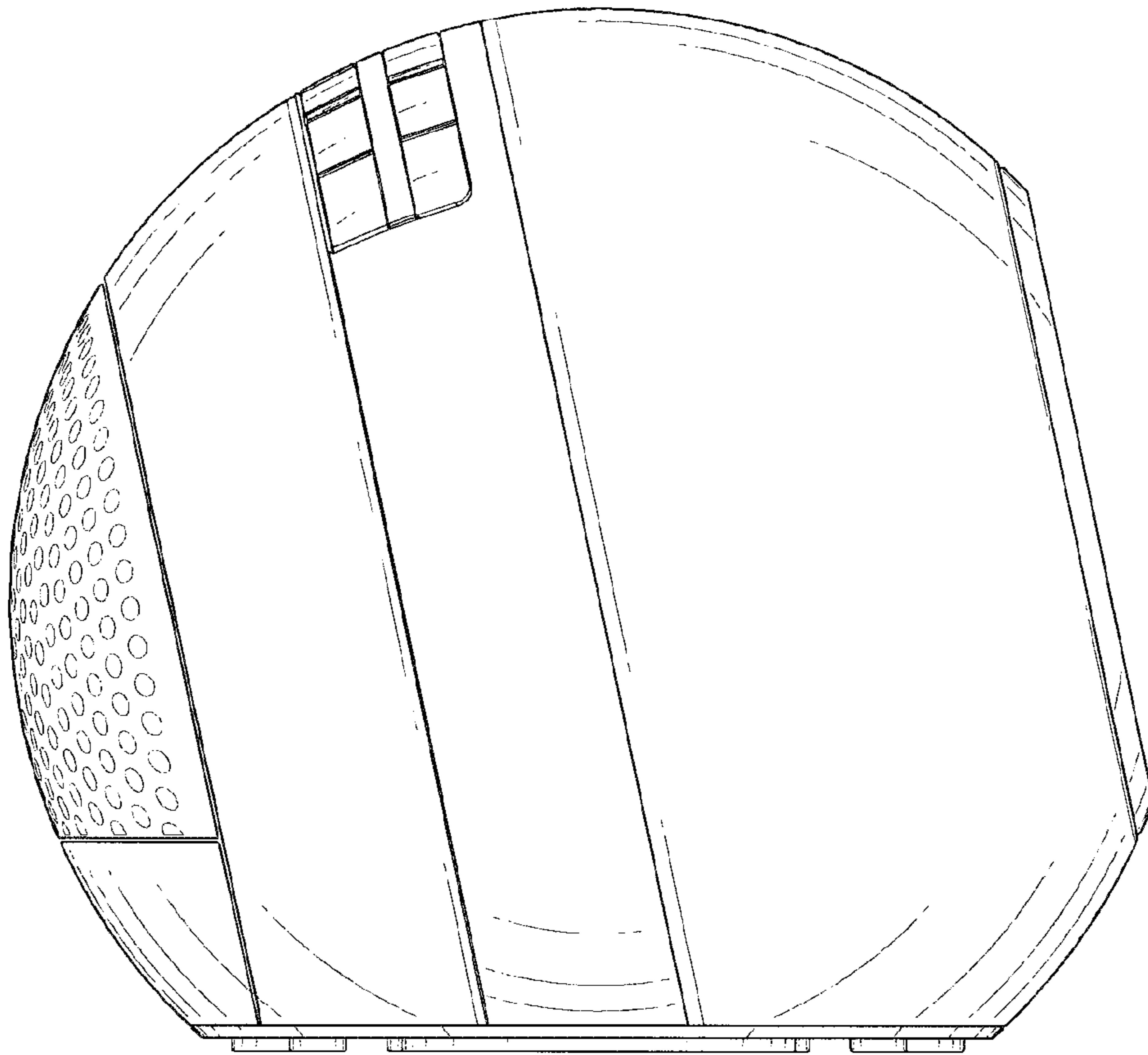


FIG. 6

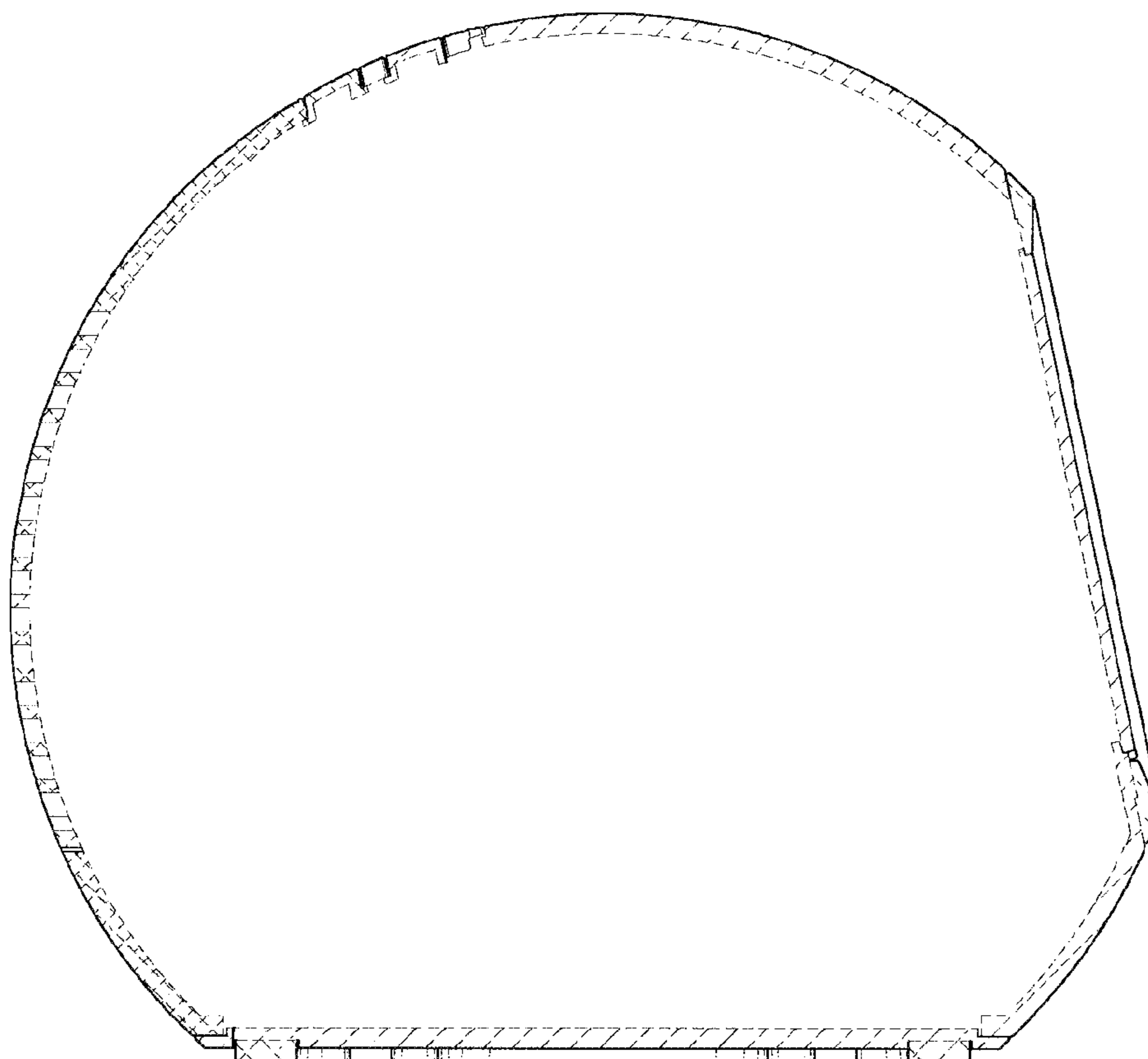


FIG. 7