



US00D756325S

(12) **United States Design Patent**
Poandl

(10) **Patent No.:** **US D756,325 S**
(45) **Date of Patent:** **** May 17, 2016**

(54) **CLOCK RADIO**

(71) Applicant: **Mary Beth Poandl**, Red Bank, NJ (US)

(72) Inventor: **Mary Beth Poandl**, Red Bank, NJ (US)

(73) Assignee: **SDI TECHNOLOGIES, INC.**, Rahway, NJ (US)

(**) Term: **14 Years**

(21) Appl. No.: **29/496,290**

(22) Filed: **Jul. 11, 2014**

(51) **LOC (10) Cl.** **14-01**

(52) **U.S. Cl.**
USPC **D14/171**

(58) **Field of Classification Search**
USPC D14/168-171, 188-198, 204-216, 496,
D14/498-511; 455/90.1-90.3, 344-355;
312/7.1; 369/6-12
CPC H04B 1/06; H04B 1/08; H04B 1/086
See application file for complete search history.

(56) **References Cited**

U.S. PATENT DOCUMENTS

D378,495 S * 3/1997 Gillespie D10/1
D414,491 S * 9/1999 Kokkinis D14/171
D468,719 S * 1/2003 Cuvelier D14/171

D480,062 S * 9/2003 Kulkarni D14/168
D565,536 S * 4/2008 Obata D14/171
D611,927 S * 3/2010 Hansen D14/188
D710,819 S * 8/2014 Poandl D14/171
D726,682 S * 4/2015 Kim D14/170

* cited by examiner

Primary Examiner — Sandra Morris

(74) *Attorney, Agent, or Firm* — Ostrolenk Faber LLP

(57) **CLAIM**

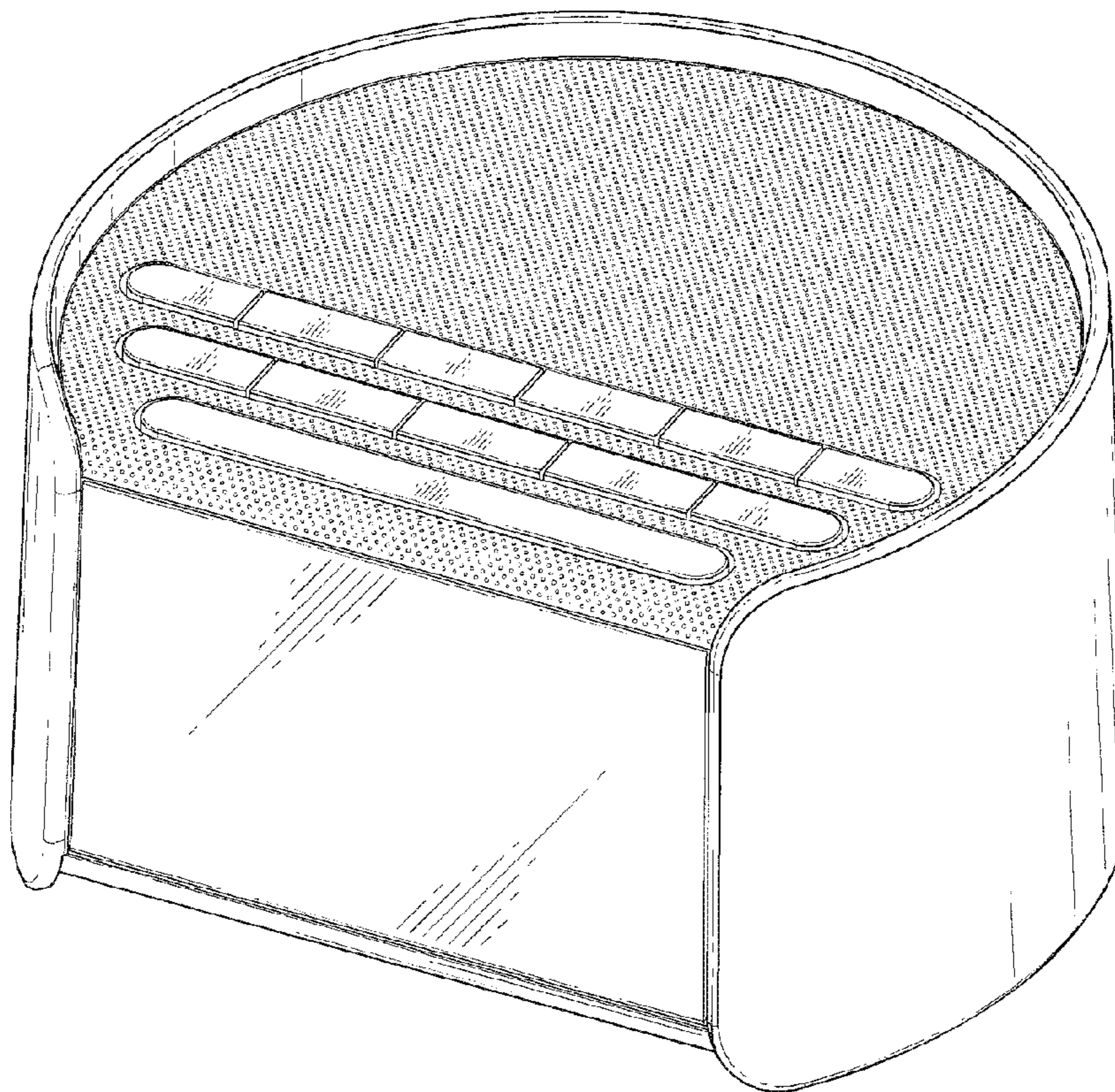
The ornamental design for a clock radio, as shown and described.

DESCRIPTION

FIG. 1 is a top, front, perspective view of a clock radio showing my new design;
FIG. 2 is a front view thereof;
FIG. 3 is a rear view thereof;
FIG. 4 is a top view thereof;
FIG. 5 is a bottom view thereof;
FIG. 6 is a side view thereof, the opposite side view being a mirror image; and,
FIG. 7 is a cross-sectional view thereof along line 7-7 in FIG. 2.

The broken lines in the drawings illustrate environmental material that forms no part of the claimed design.

1 Claim, 7 Drawing Sheets



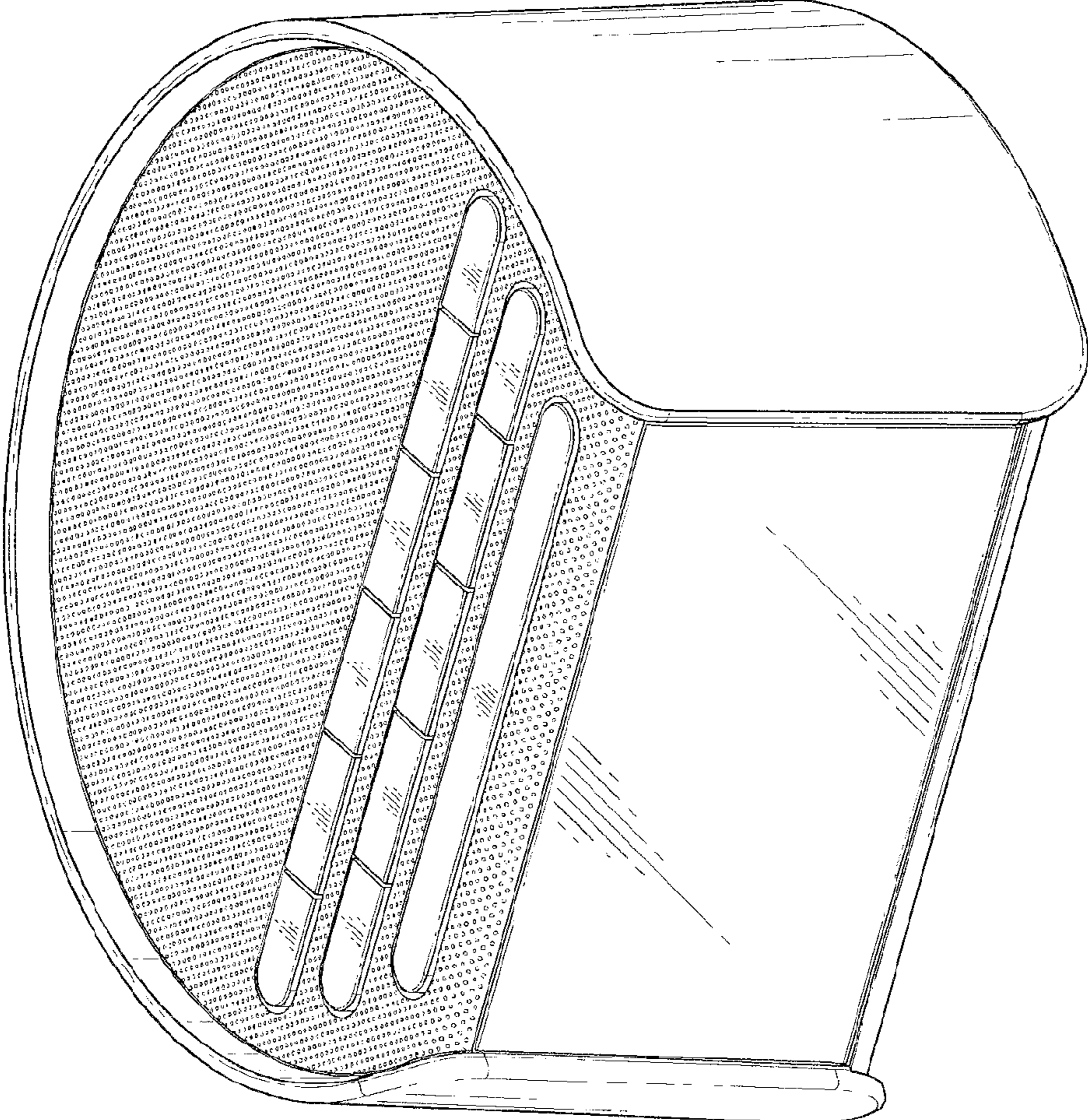


FIG. 1

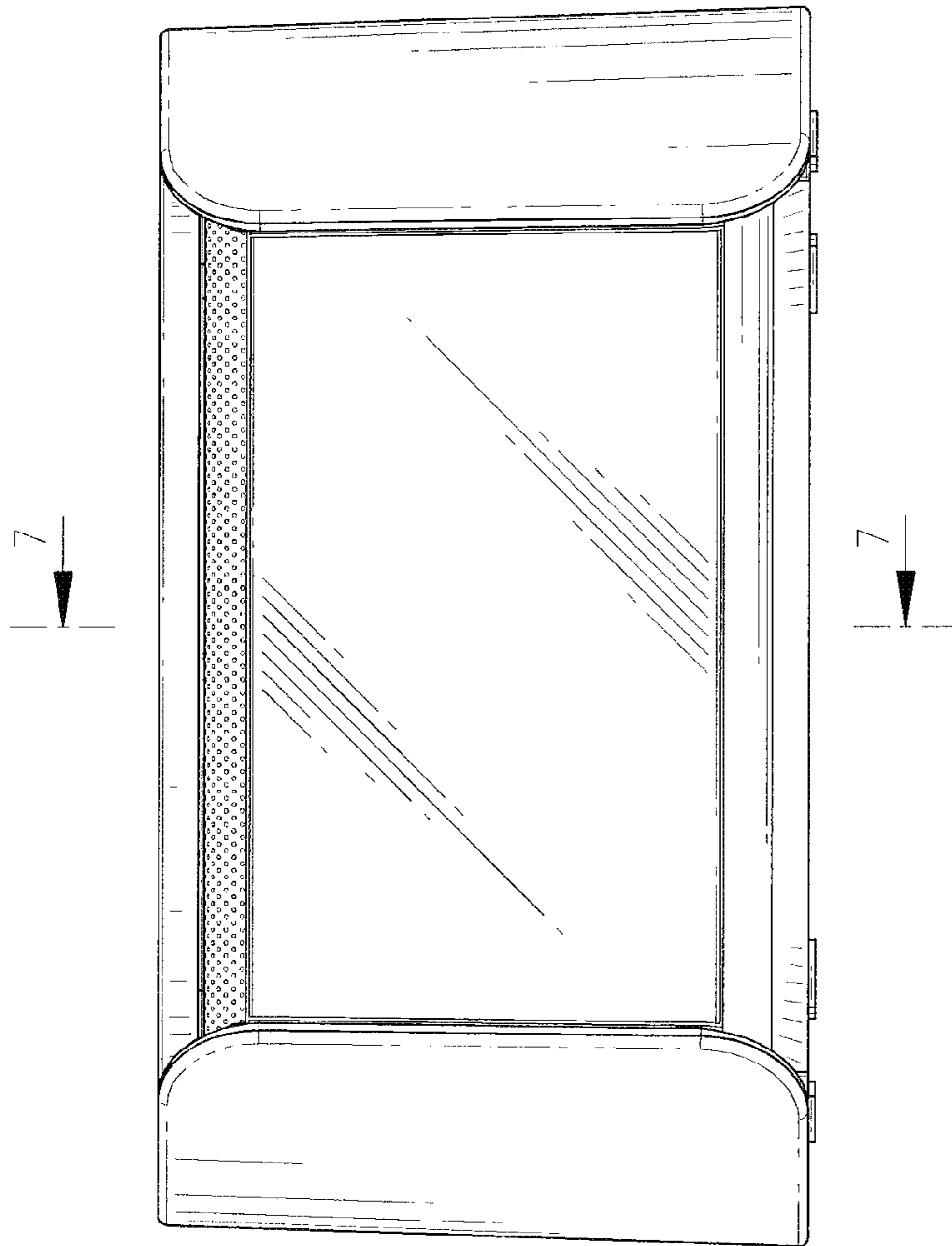


FIG. 2

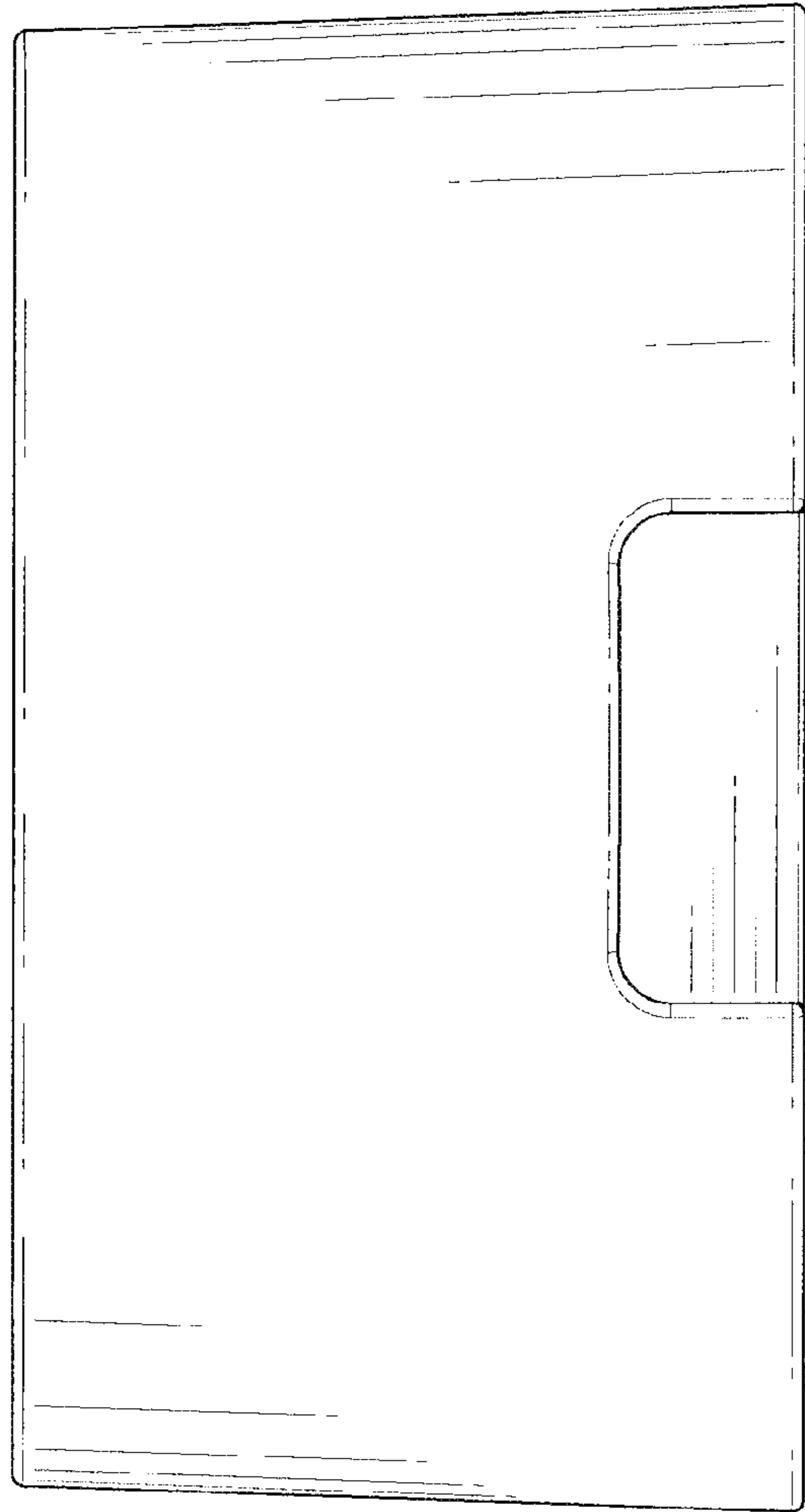


FIG. 3

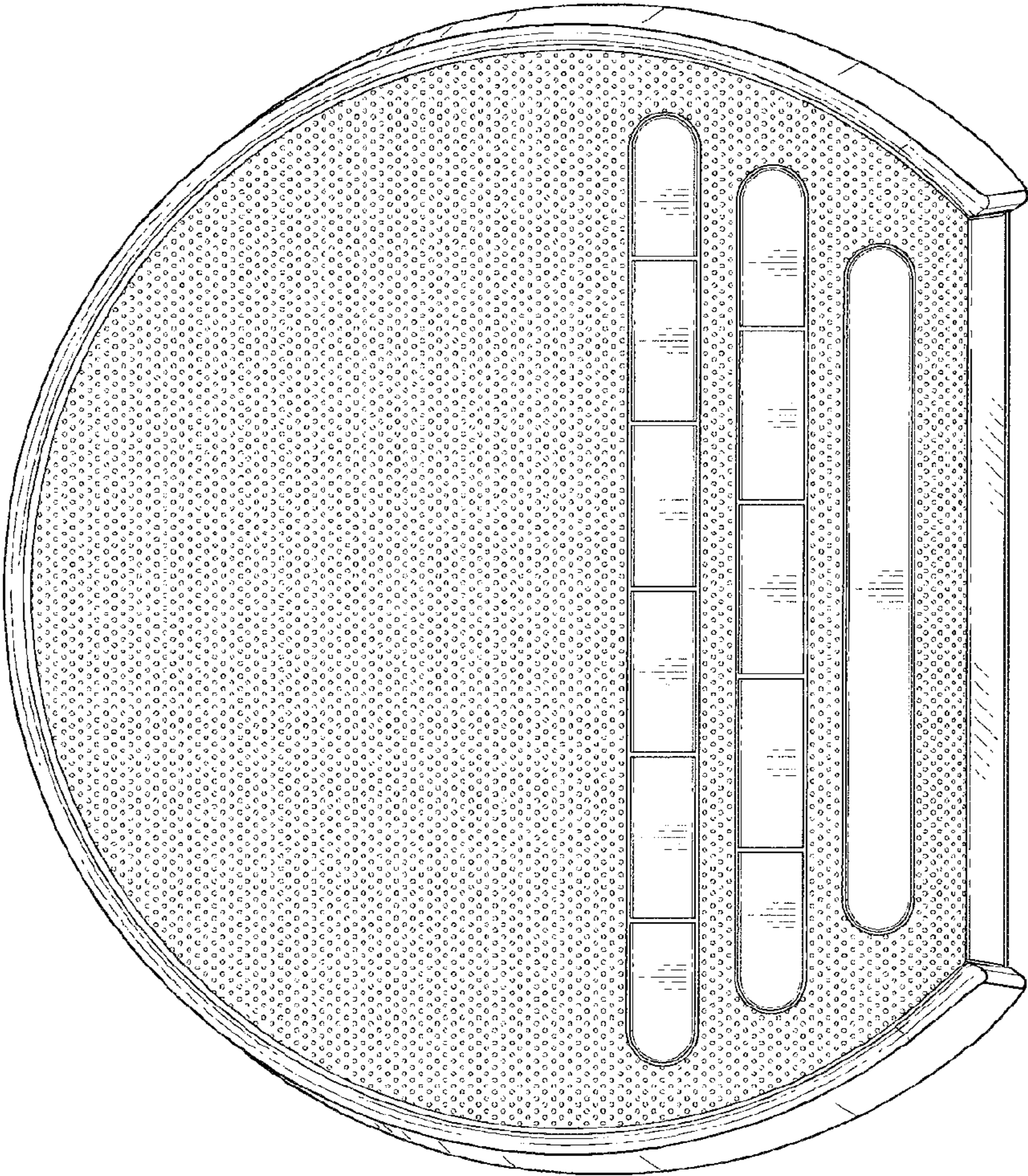


FIG. 4

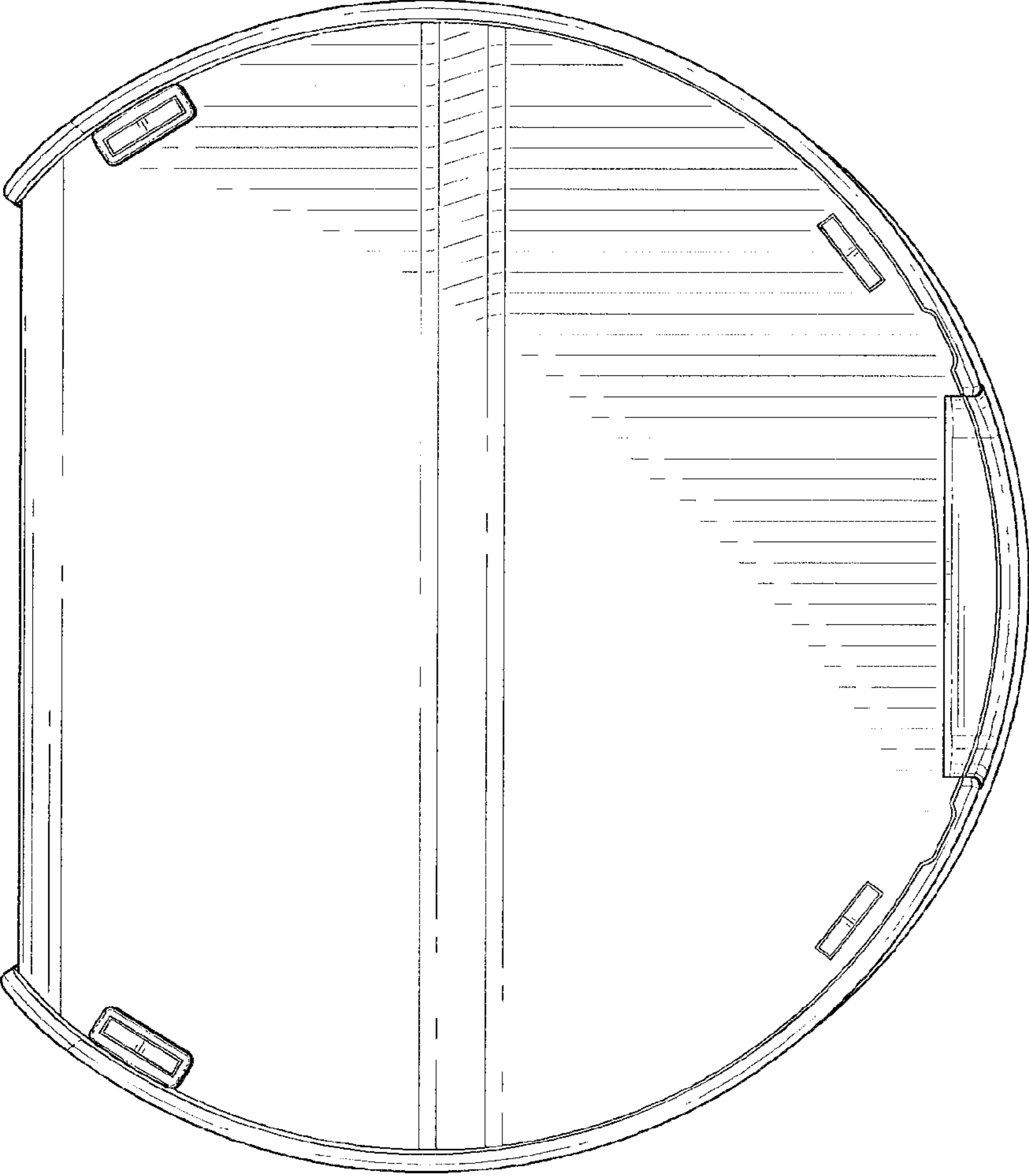


FIG. 5

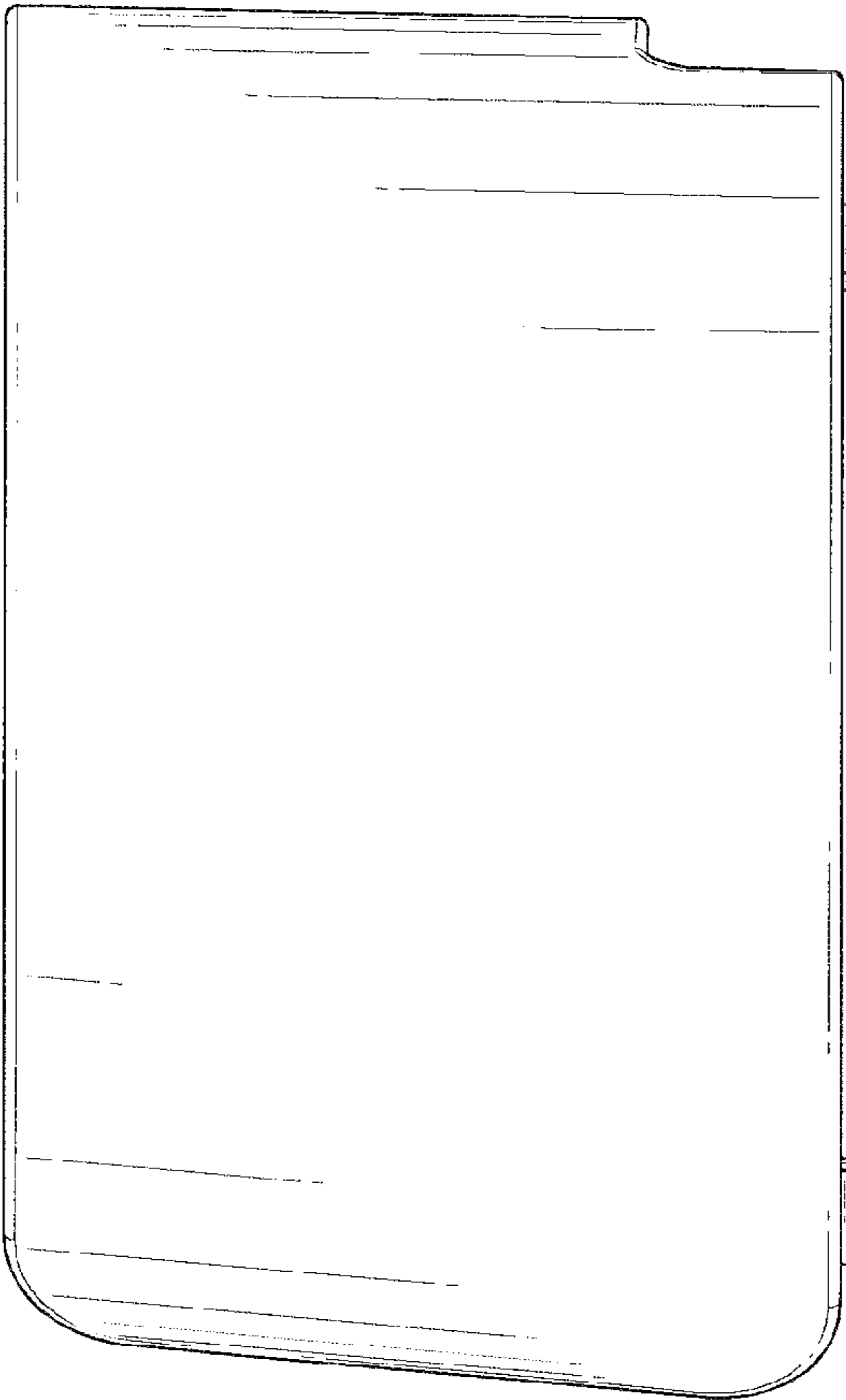


FIG. 6

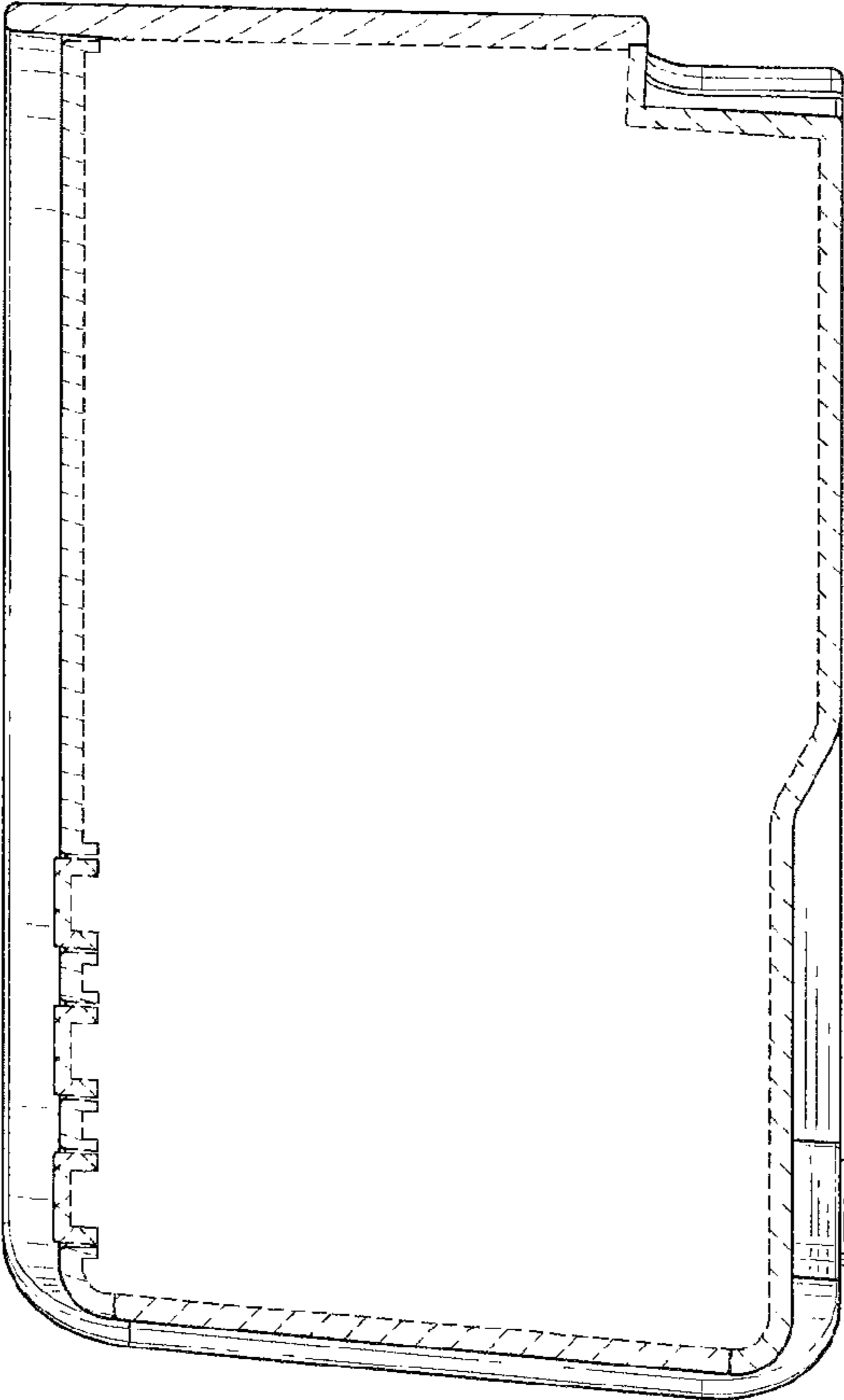


FIG. 7