



US00D756320S

(12) **United States Design Patent**
Wu et al.

(10) **Patent No.:** **US D756,320 S**
(45) **Date of Patent:** **** May 17, 2016**

(54) **FLAT DISPLAY**

(71) Applicant: **Acer Incorporated**, New Taipei (TW)

(72) Inventors: **Ming-Cheng Wu**, New Taipei (TW);
Wei-Min Huang, New Taipei (TW);
Ming-Ling Ho, New Taipei (TW);
Yi-Heng Lee, New Taipei (TW);
Wei-Chen Lee, New Taipei (TW);
Chun-Ta Chen, New Taipei (TW);
I-Shan Hsieh, New Taipei (TW)

(73) Assignee: **ACER INCORPORATED**, New Taipei (TW)

(**) Term: **14 Years**

(21) Appl. No.: **29/509,965**

(22) Filed: **Nov. 24, 2014**

(30) **Foreign Application Priority Data**

Oct. 31, 2014 (TW) 103306366

(51) **LOC (10) Cl.** **14-03**

(52) **U.S. Cl.**
USPC **D14/126**

(58) **Field of Classification Search**

USPC D14/125-134, 239, 371, 136, 374-377,
D14/440, 450, 448, 336, 342, 159; 312/7.2;
348/836, 838, 180, 184, 325, 739;
248/917-924, 465; 345/104, 133, 156,
345/168, 87, 173; D21/329, 515, 577, 622,
D21/333, 433, 448, 452, 450, 331, 505;
D10/15, 26; 446/484, 175, 356;
D6/477, 479, 300

CPC ... G06F 1/1601; G06F 1/1643; H05K 5/0004;
H05K 5/0017; H05K 5/02; H05K 5/0217

See application file for complete search history.

(56) **References Cited**

U.S. PATENT DOCUMENTS

D388,077	S	*	12/1997	Starck	D14/126
D590,785	S	*	4/2009	Yokota	D14/126
D592,621	S	*	5/2009	Han	D14/126
D599,756	S	*	9/2009	Yokota	D14/126
D608,746	S	*	1/2010	Tu	D14/126
D637,169	S	*	5/2011	Kim et al.	D14/126
D638,813	S	*	5/2011	Liu	D14/126

(Continued)

Primary Examiner — Raphael Barkai

(74) *Attorney, Agent, or Firm* — McClure, Qualey & Rodack, LLP

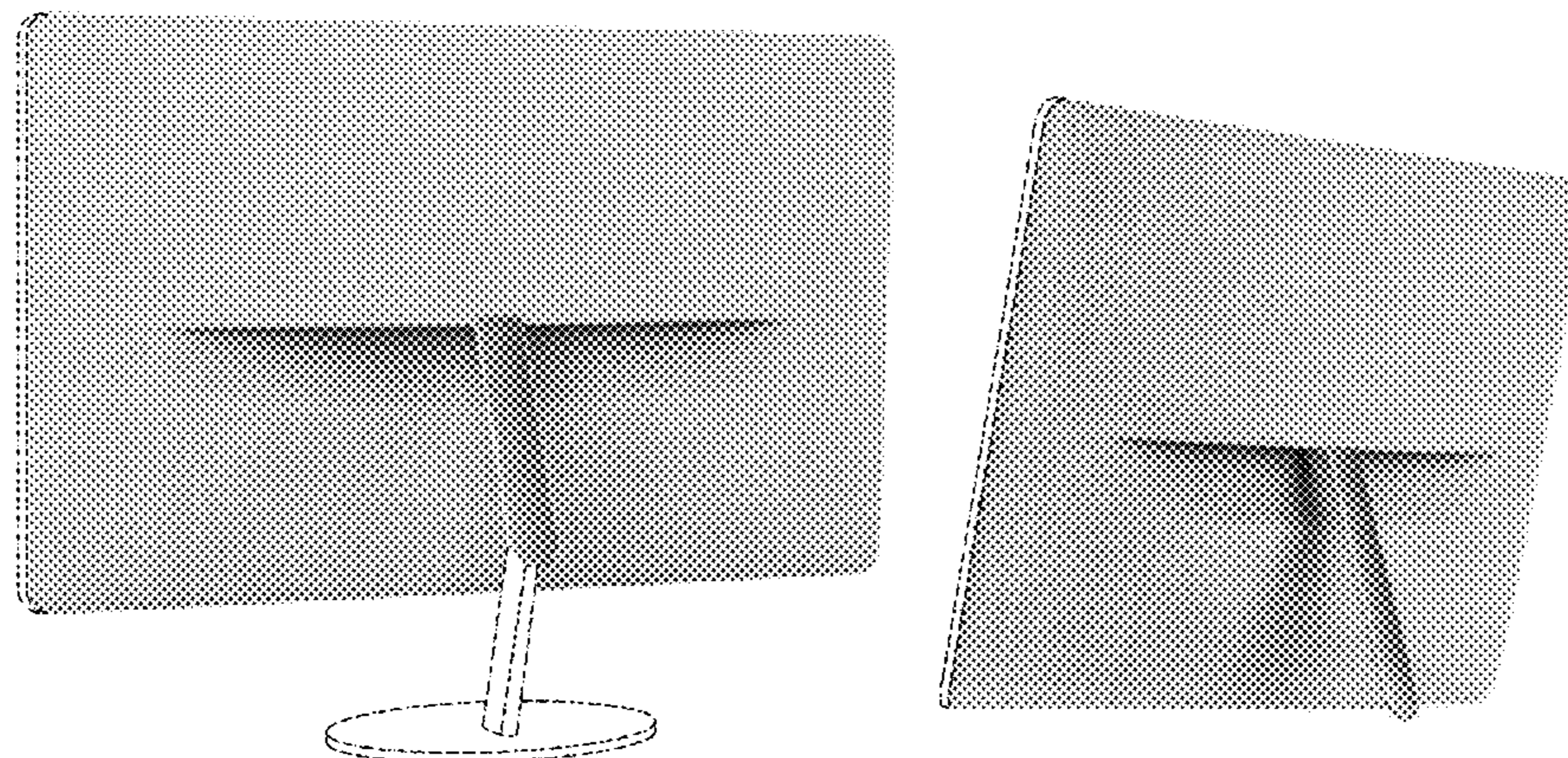
(57) **CLAIM**

The ornamental design for flat display, as shown and described.

DESCRIPTION

FIG. 1 is a front perspective view of an embodiment of a flat display in accordance with our new design;
FIG. 2 is a rear perspective view thereof;
FIG. 3 is a front view thereof;
FIG. 4 is a rear view thereof;
FIG. 5 is a left side view thereof;
FIG. 6 is a right side view thereof;
FIG. 7 is a top plan view thereof;
FIG. 8 is a bottom plan view thereof;
FIG. 9 is a front perspective view of the flat display with the stand base removed;
FIG. 10 is a rear perspective view thereof;
FIG. 11 is a front view thereof;
FIG. 12 is a rear view thereof;
FIG. 13 is a left side view thereof;
FIG. 14 is a right side view thereof;
FIG. 15 is a top plan view thereof;
FIG. 16 is a bottom plan view thereof; and,
FIG. 17 is an enlarged view depicting the fabric texture on the rear cover of the flat display in FIG. 4.
The grayscale shading represents a contrast in either grayscale tone or color consonant with the visual appearance shown in the drawings.
The broken lines throughout the views form no part of the claimed design.

1 Claim, 9 Drawing Sheets



US D756,320 S

Page 2

(56)

References Cited

U.S. PATENT DOCUMENTS

D639,761 S * 6/2011 Chou et al. D14/126
D642,145 S * 7/2011 Kim et al. D14/126
D649,947 S * 12/2011 Won et al. D14/126

D655,684 S * 3/2012 Kim et al. D14/126
D682,797 S * 5/2013 Lee et al. D14/126
D714,238 S * 9/2014 Kim D14/126

* cited by examiner

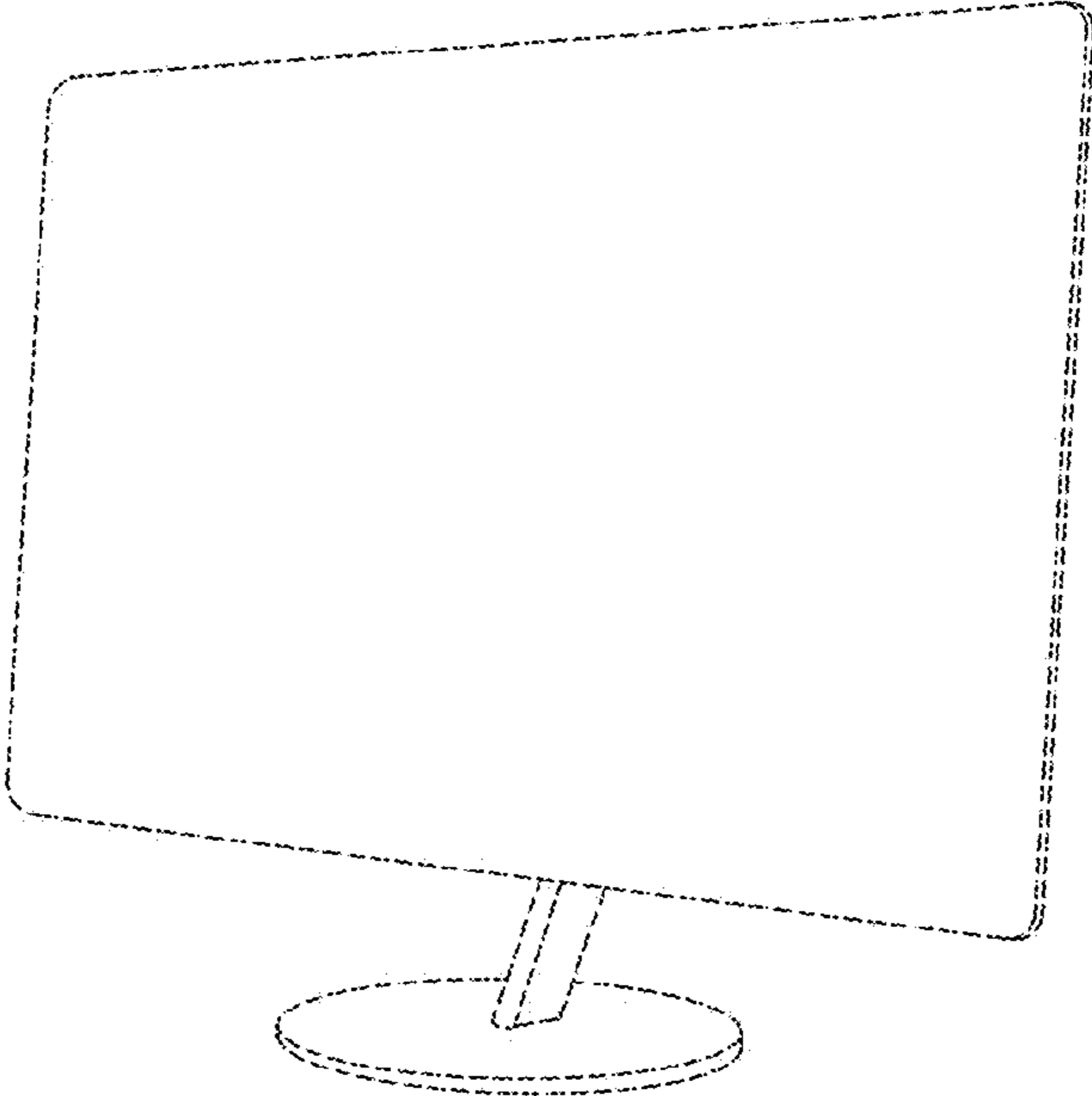


FIG. 1

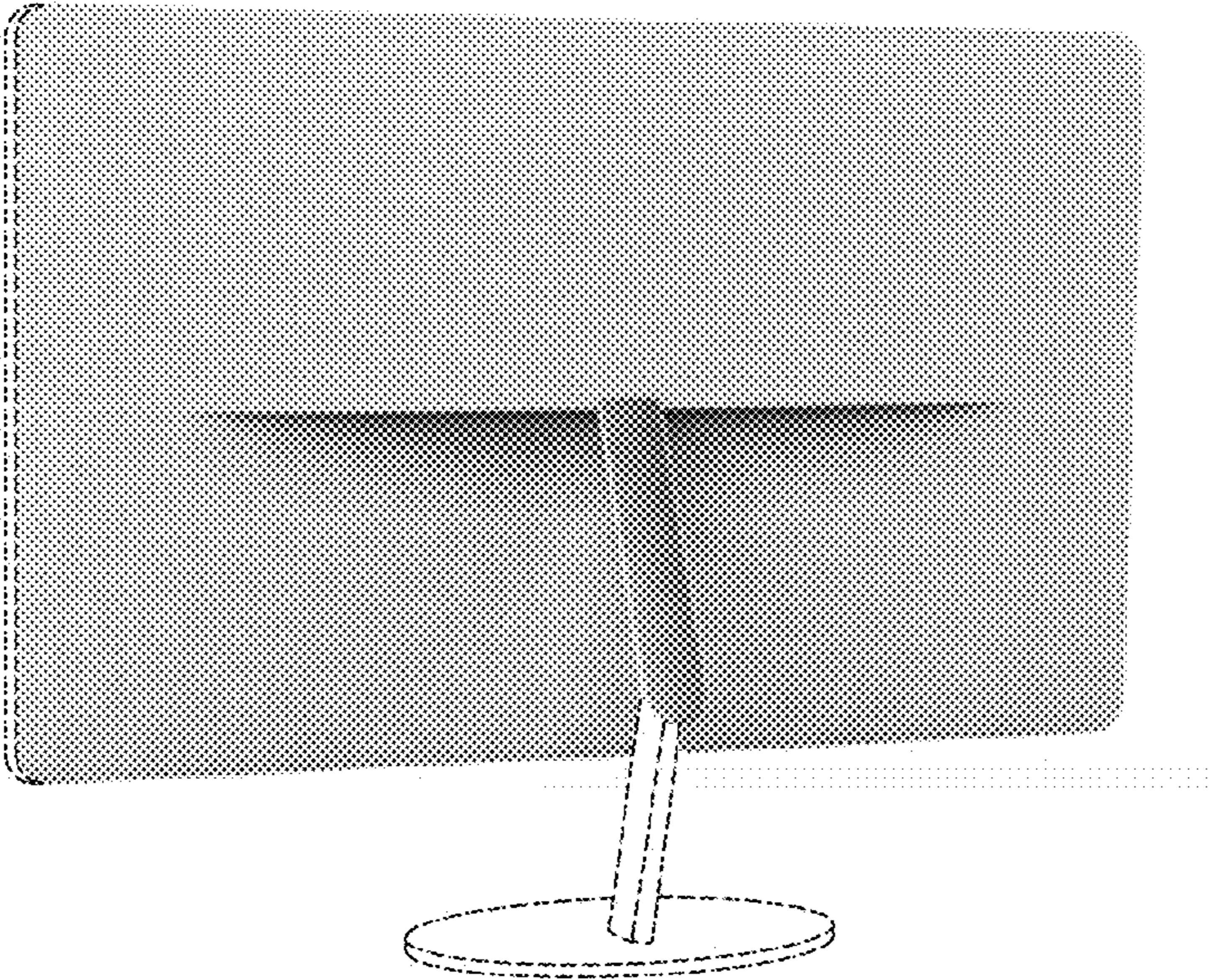


FIG. 2

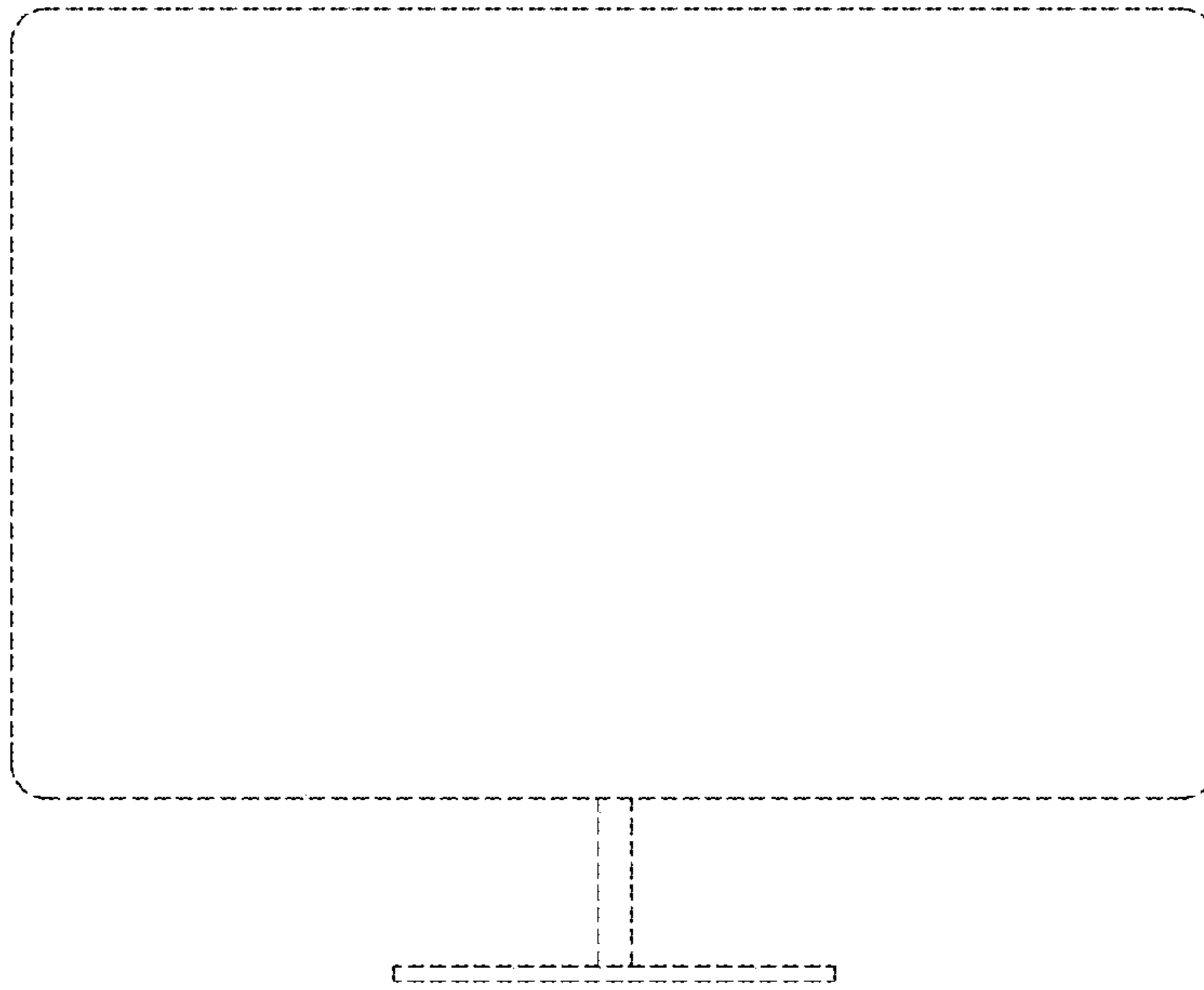


FIG. 3

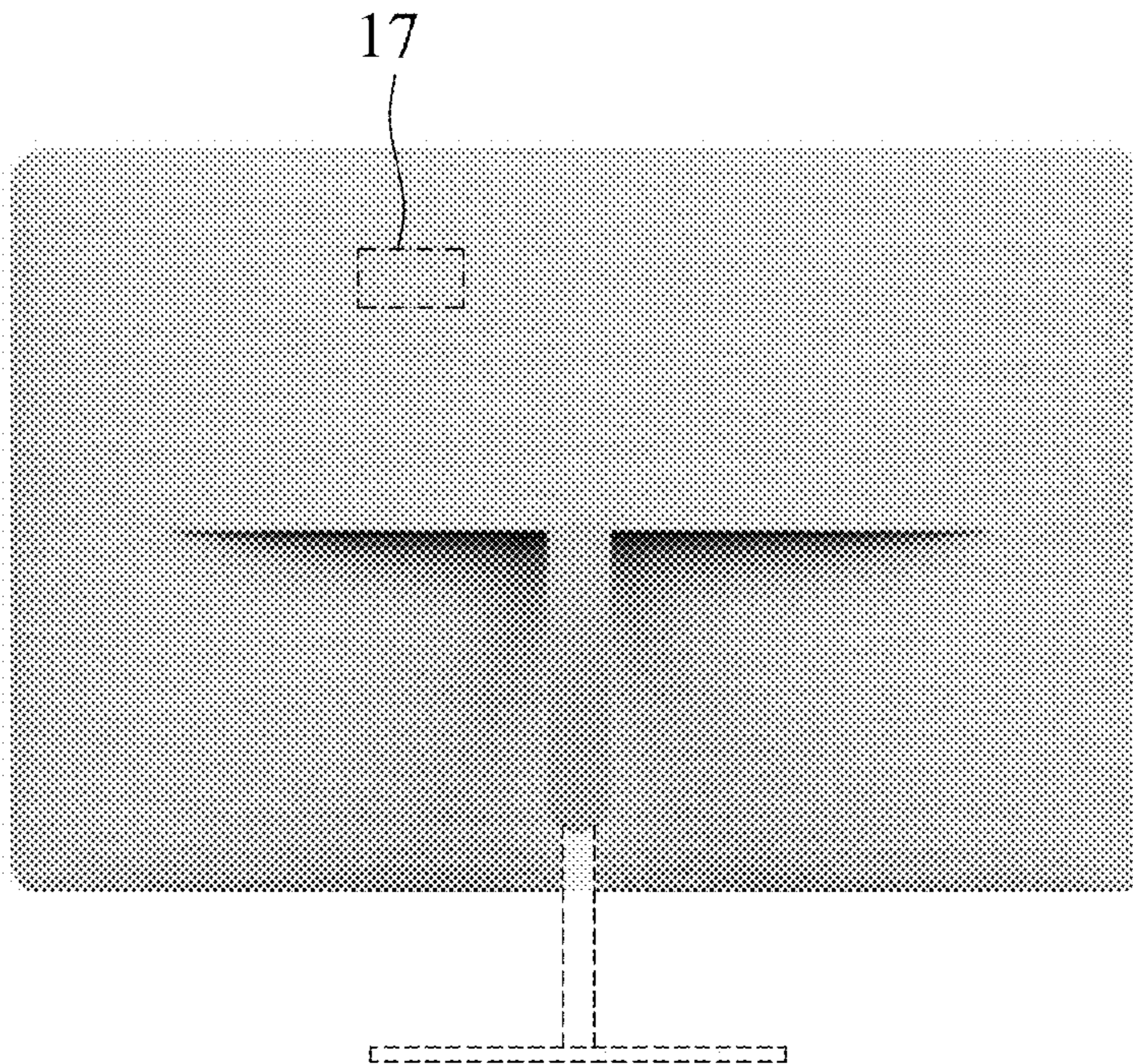


FIG. 4

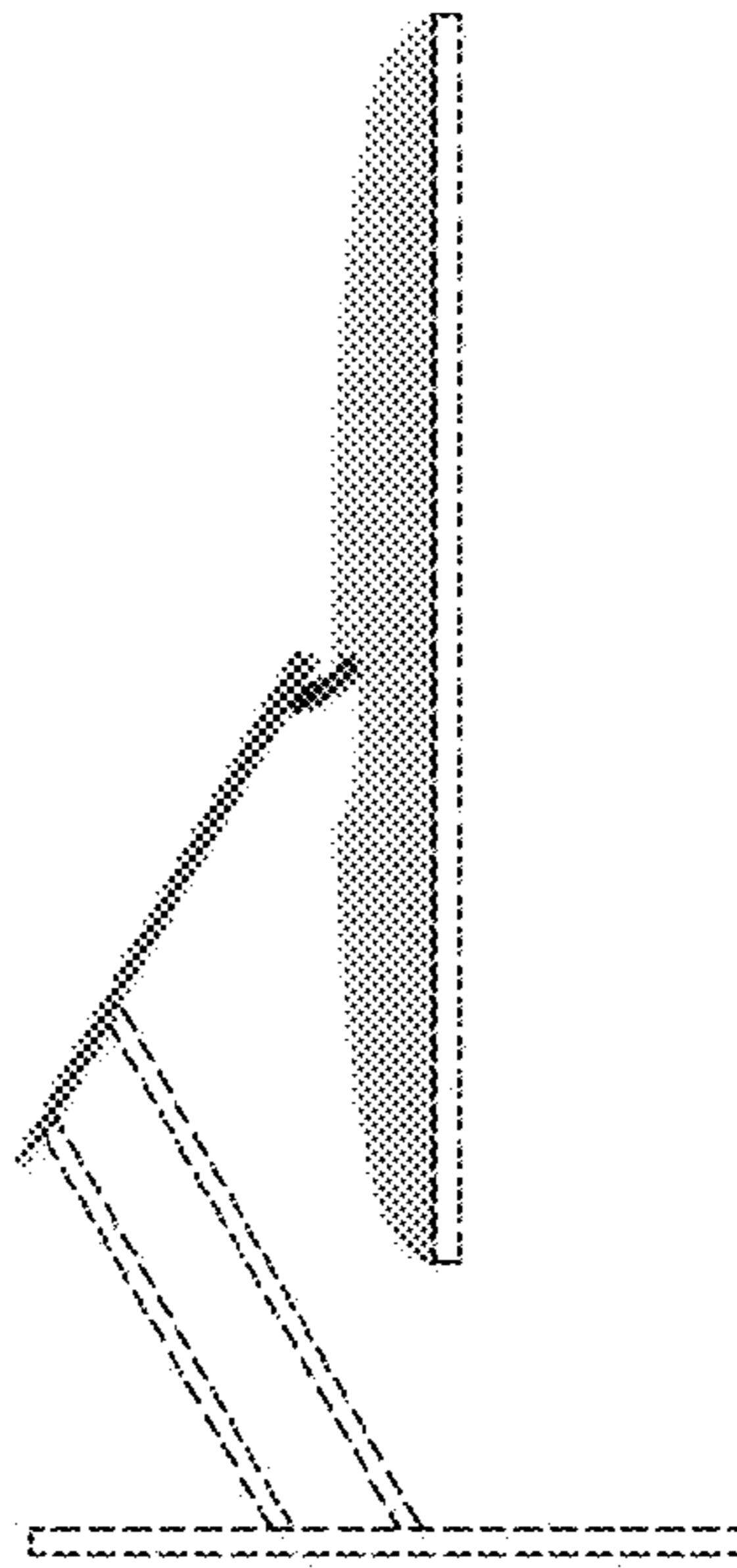


FIG. 5

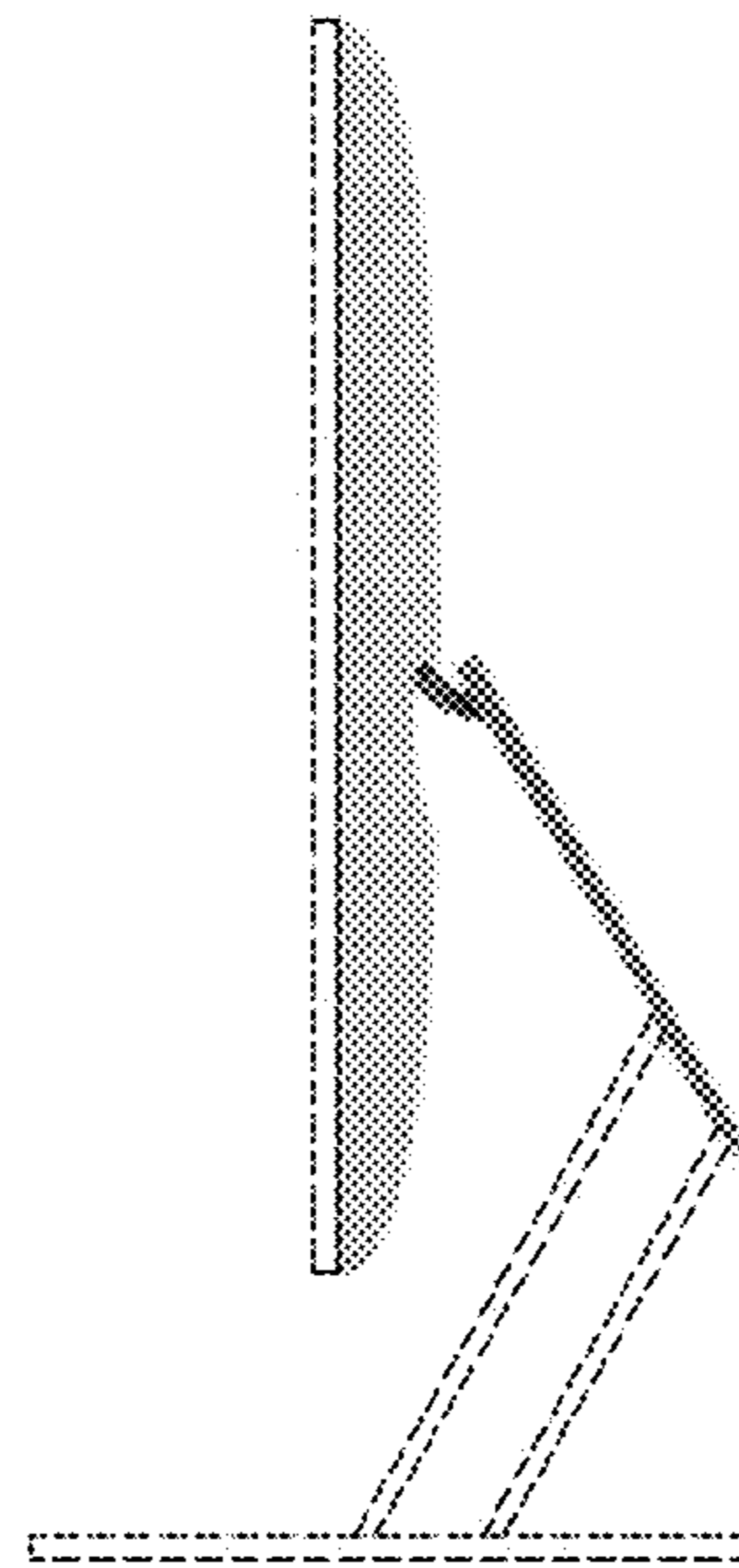


FIG. 6

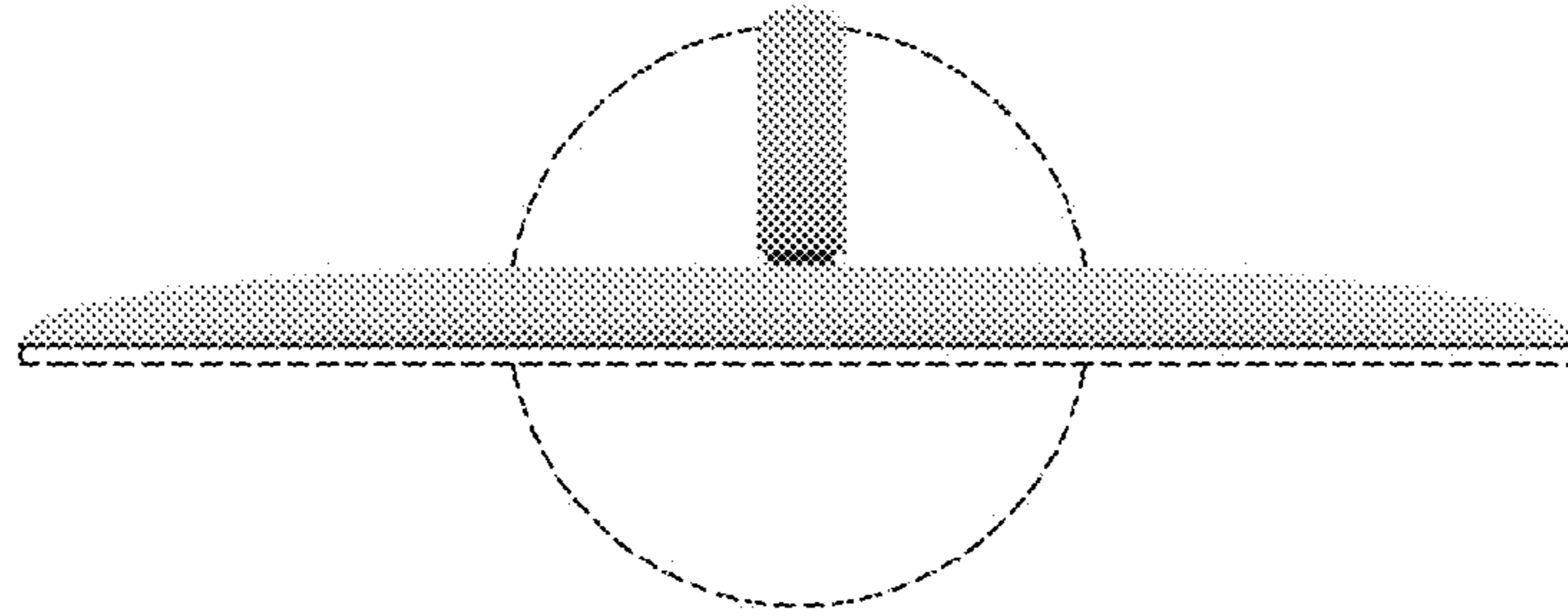


FIG. 7

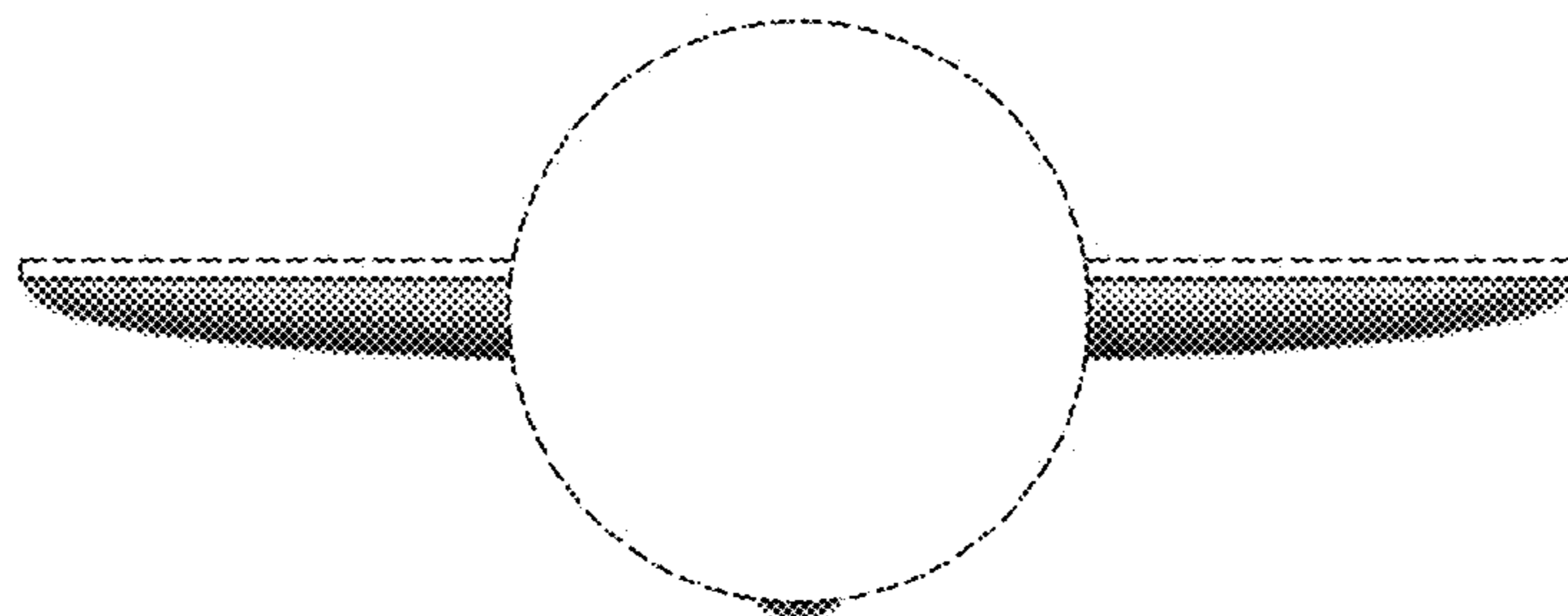


FIG. 8

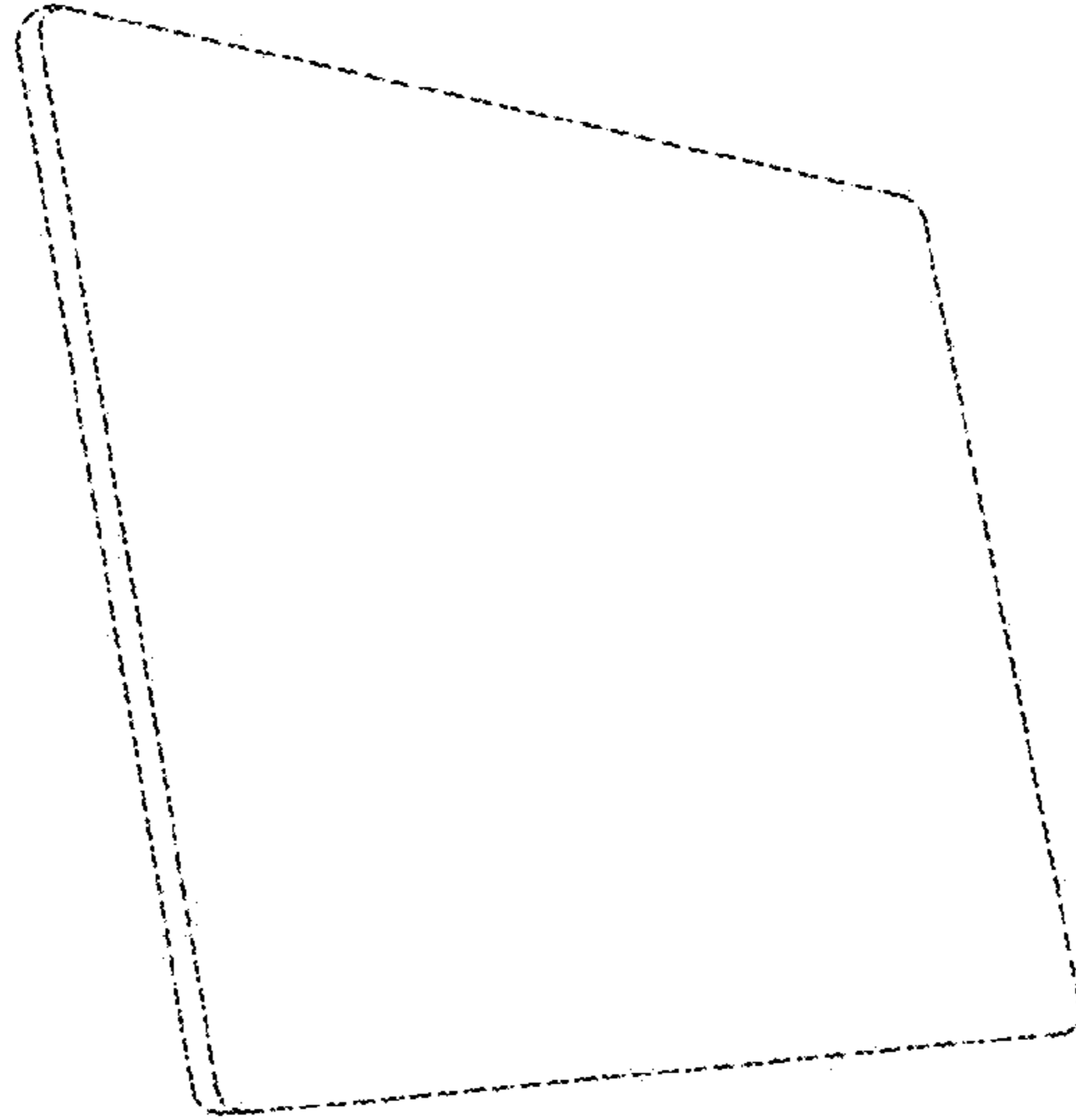


FIG. 9

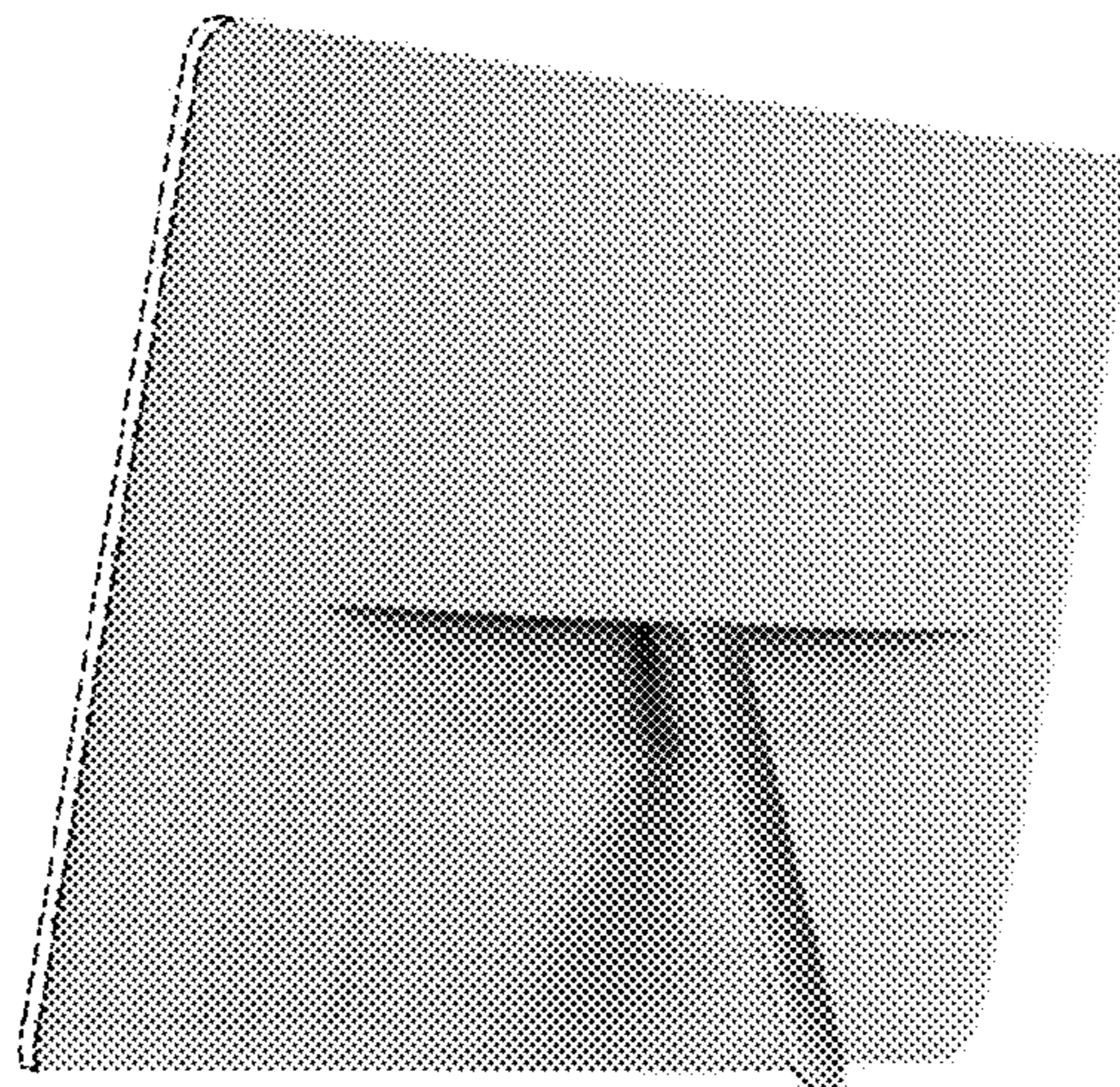


FIG. 10



FIG. 11

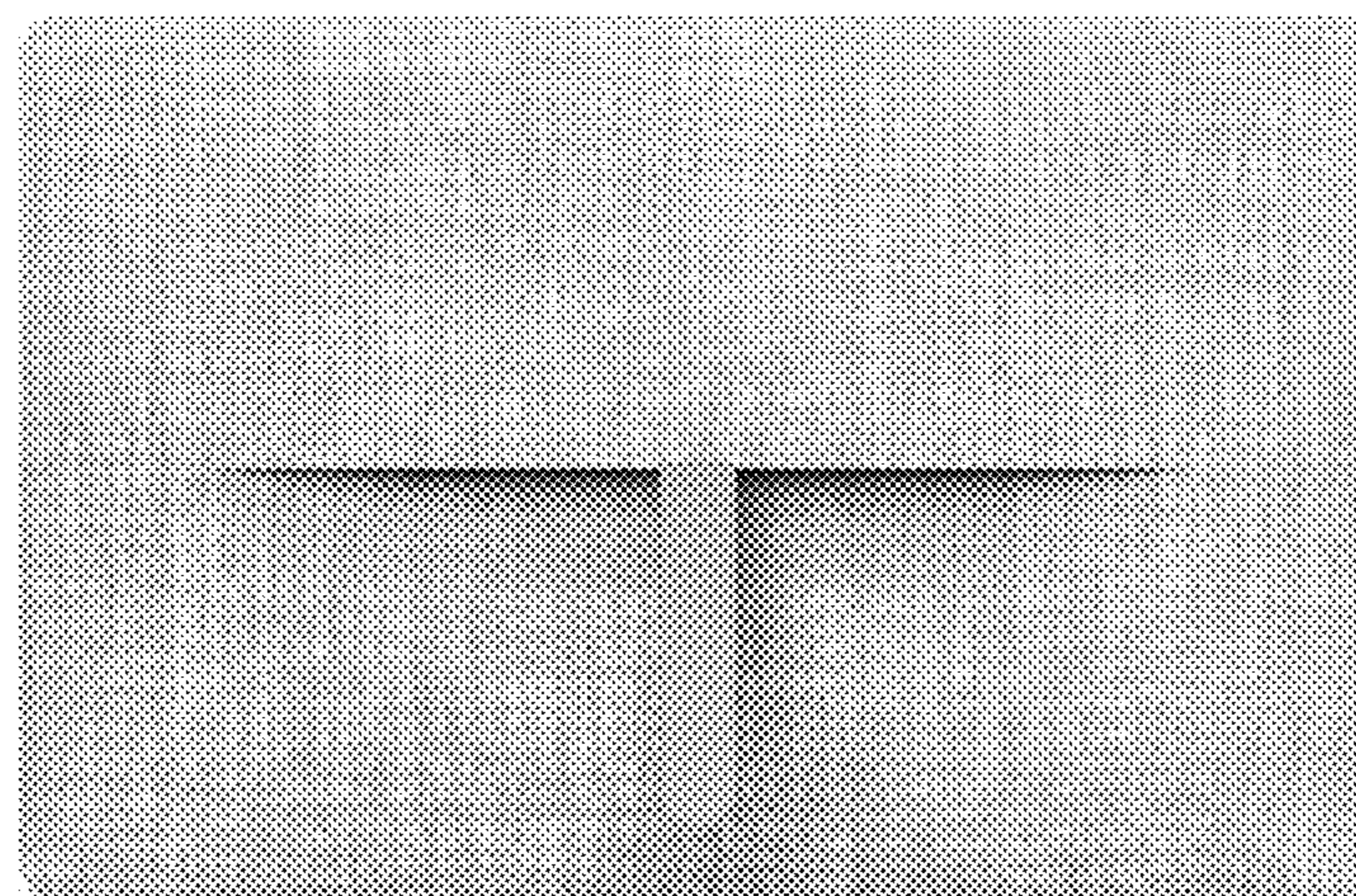


FIG. 12

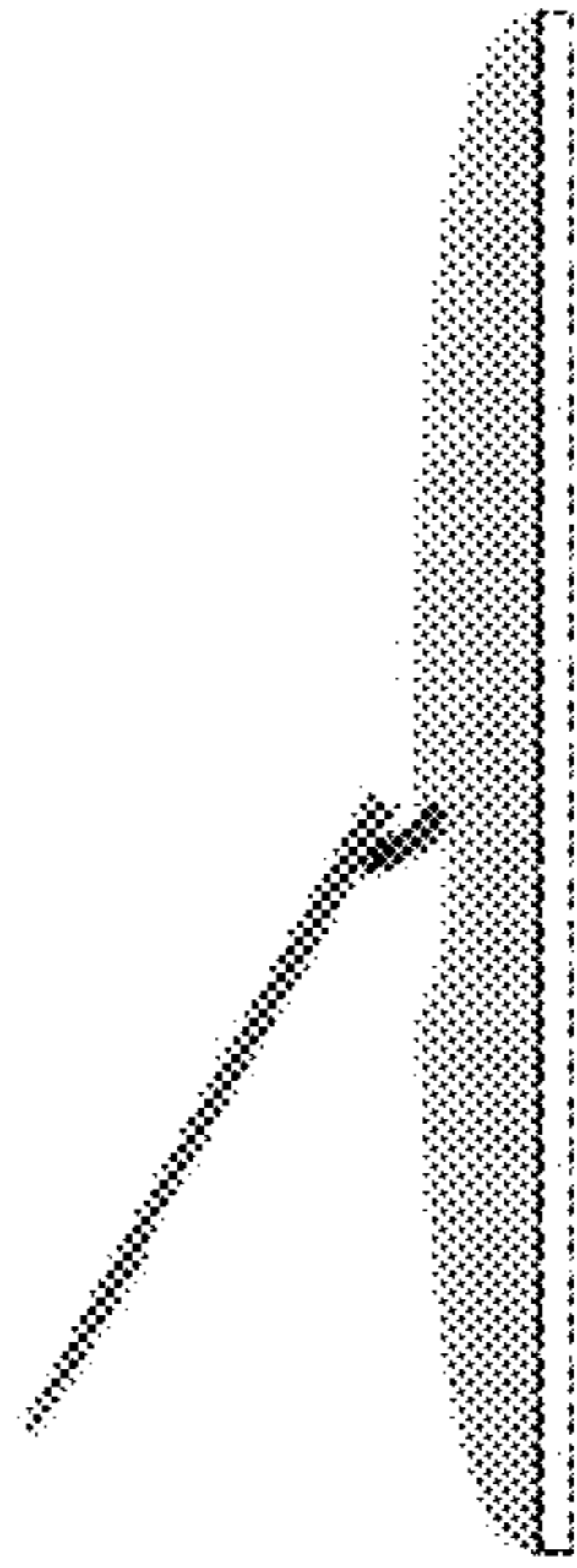


FIG. 13

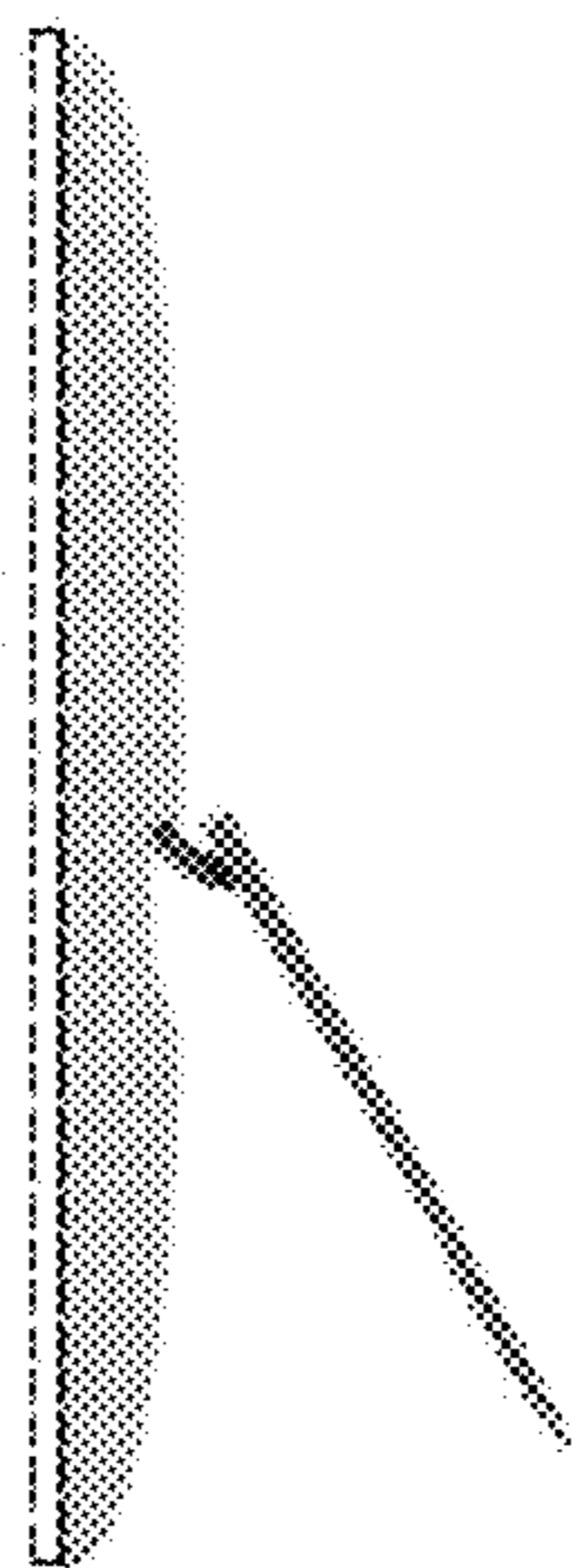


FIG. 14

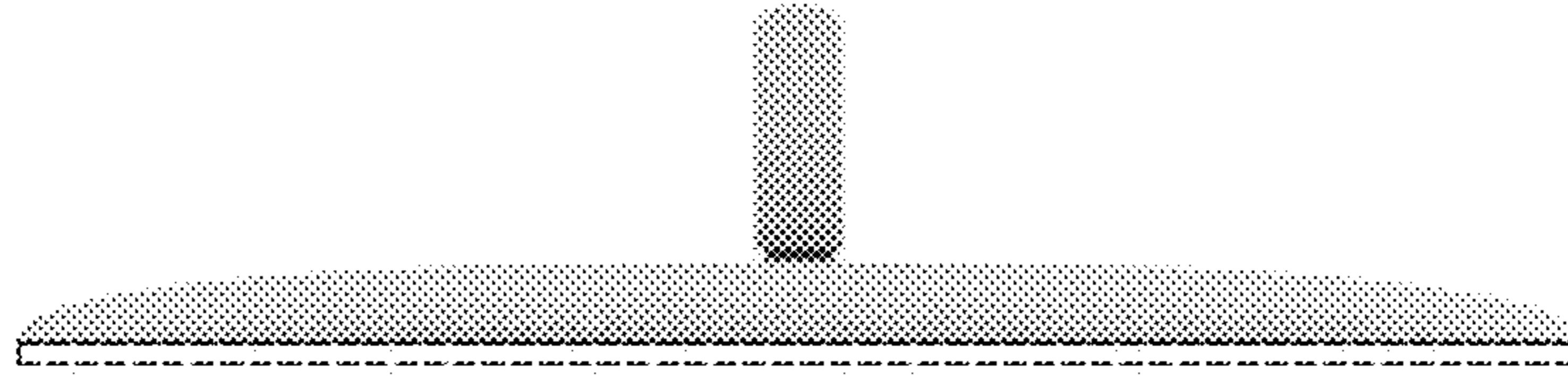


FIG. 15

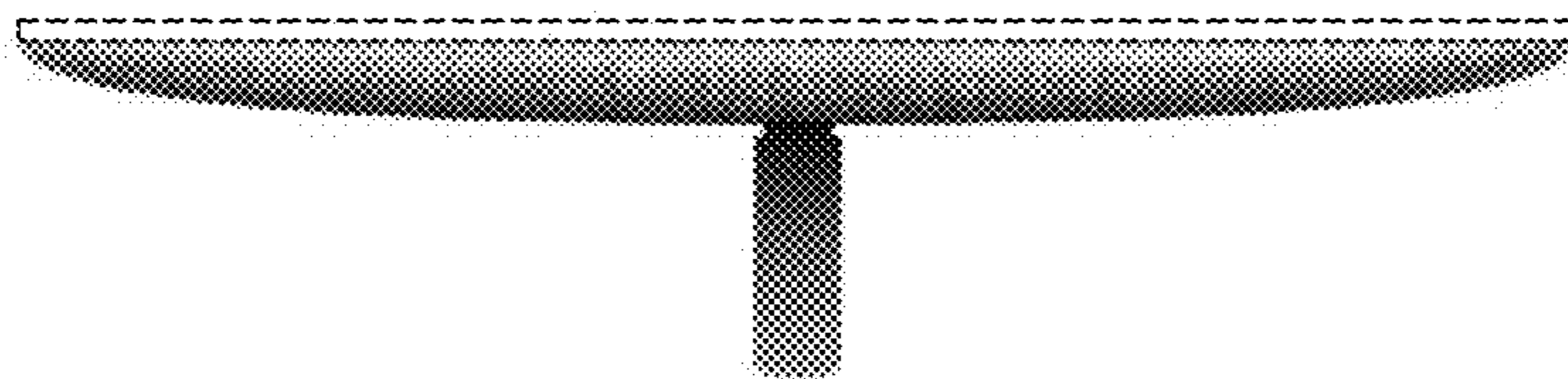


FIG. 16

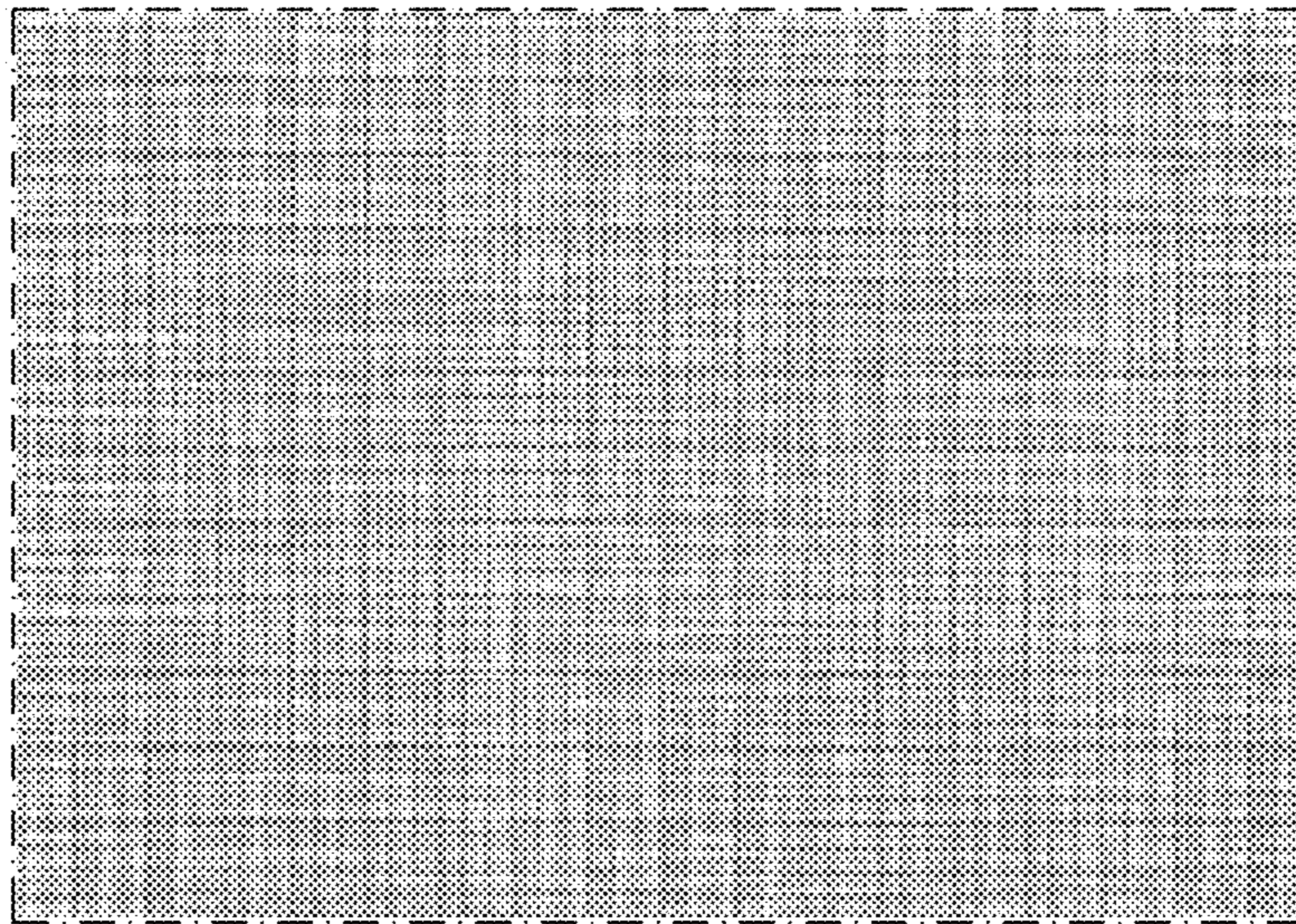


FIG. 17