



US00D756318S

(12) **United States Design Patent**  
**Kim et al.**

(10) **Patent No.:** **US D756,318 S**  
(45) **Date of Patent:** **\*\* May 17, 2016**

(54) **TELEVISION RECEIVER**  
(71) Applicant: **LG Electronics Inc.**, Seoul (KR)  
(72) Inventors: **Taeho Kim**, Seoul (KR); **Namhun Kim**, Gyeonggi-do (KR); **Yoonkyeong Lee**, Seoul (KR); **Junki Kim**, Seoul (KR); **Ilsu Yoon**, Seoul (KR); **Dongwon Choi**, Seoul (KR); **Kyoyoon Koo**, Seoul (KR)

D630,210 S \* 1/2011 Andre et al. .... D14/374  
D638,013 S 5/2011 Andre et al.  
D659,660 S \* 5/2012 Kumano ..... D14/126  
D670,692 S 11/2012 Akana et al.  
D671,938 S 12/2012 Hsu et al.  
D673,129 S \* 12/2012 Kumano ..... D14/126  
D699,695 S \* 2/2014 Kim et al. .... D14/126  
D699,696 S \* 2/2014 Kim et al. .... D14/126

(Continued)

**FOREIGN PATENT DOCUMENTS**

(73) Assignee: **LG Electronics Inc.**, Seoul (KR)  
(\*\*) Term: **14 Years**

JP D1190838 S 11/2003  
JP D1391282 S 6/2010

(Continued)

**OTHER PUBLICATIONS**

(21) Appl. No.: **29/460,726**  
(22) Filed: **Jul. 15, 2013**

European Community Design 000890702-0001, television sets, Apr. 4, 2008, pp. 1-3.

(Continued)

(30) **Foreign Application Priority Data**  
Jan. 15, 2013 (KR) ..... 30-2013-0002443

*Primary Examiner* — Raphael Barkai  
(74) *Attorney, Agent, or Firm* — Morgan, Lewis & Bockius LLP

(51) **LOC (10) Cl.** ..... **14-03**  
(52) **U.S. Cl.**  
USPC ..... **D14/126**

(58) **Field of Classification Search**  
USPC ..... D14/125-134, 239, 371, 136, 374-377, D14/440, 450, 448, 336, 342, 159; 312/7.2; 348/836, 838, 180, 184, 325, 739; 248/917-924, 465; 345/104, 133, 156, 345/168, 87, 173; D21/329, 515, 577, 622, D21/333, 433, 448, 452, 450, 331, 505; D10/15, 26; 446/484, 175, 356; D6/477, 479, 300  
CPC ... G06F 1/1601; G06F 1/1643; H05K 5/0004; H05K 5/0017; H05K 5/02; H05K 5/0217  
See application file for complete search history.

(57) **CLAIM**  
The ornamental design for a television receiver, as shown and described.

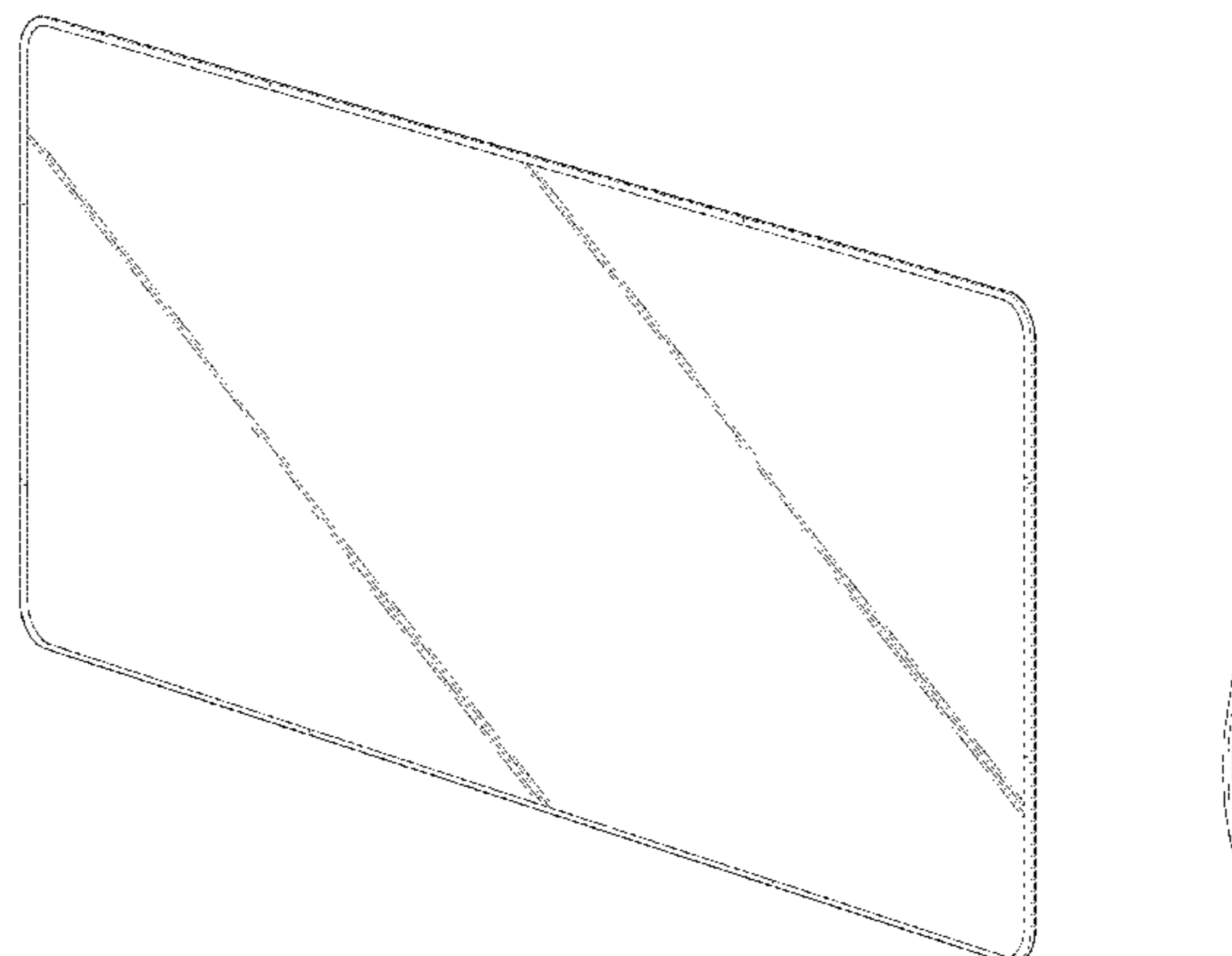
**DESCRIPTION**

FIG. 1 is a perspective view of a television receiver showing our new design;  
FIG. 2 is a front view thereof;  
FIG. 3 is a rear view thereof;  
FIG. 4 is a left side view thereof where the right side view is a mirror image; and,  
FIG. 5 is a top plan view thereof where the bottom plan view is a mirror image.

(56) **References Cited**  
**U.S. PATENT DOCUMENTS**

D598,405 S 8/2009 Kuramashi  
D609,705 S \* 2/2010 Andre et al. .... D14/374

**1 Claim, 5 Drawing Sheets**



(56)

**References Cited**

KR 30-0656098 8/2012  
KR 30-0673953 12/2012

U.S. PATENT DOCUMENTS

D701,845 S \* 4/2014 Kwon et al. .... D14/126  
D714,748 S \* 10/2014 Kim et al. .... D14/126  
D716,243 S \* 10/2014 Kim et al. .... D14/126  
D730,353 S \* 5/2015 Hwangbo et al. .... D14/374  
D730,896 S \* 6/2015 Hwangbo et al. .... D14/374  
D730,897 S \* 6/2015 Hwangbo et al. .... D14/374  
D730,898 S \* 6/2015 Hwangbo et al. .... D14/374

FOREIGN PATENT DOCUMENTS

JP D1391859 S 7/2010

OTHER PUBLICATIONS

European Community Design 0001003412-0001, television receivers, Oct. 17, 2008, p. 1.  
European Community Design 001802752-0001, monitors, Jan. 12, 2011, pp. 1-2.  
European Community Design 002134551-0001, fake television sets, Nov. 30, 2012, pp. 1-2.  
European Community Design 001750100-001, television receivers, Jul. 12, 2011, pp. 1-2.

\* cited by examiner

FIG. 1

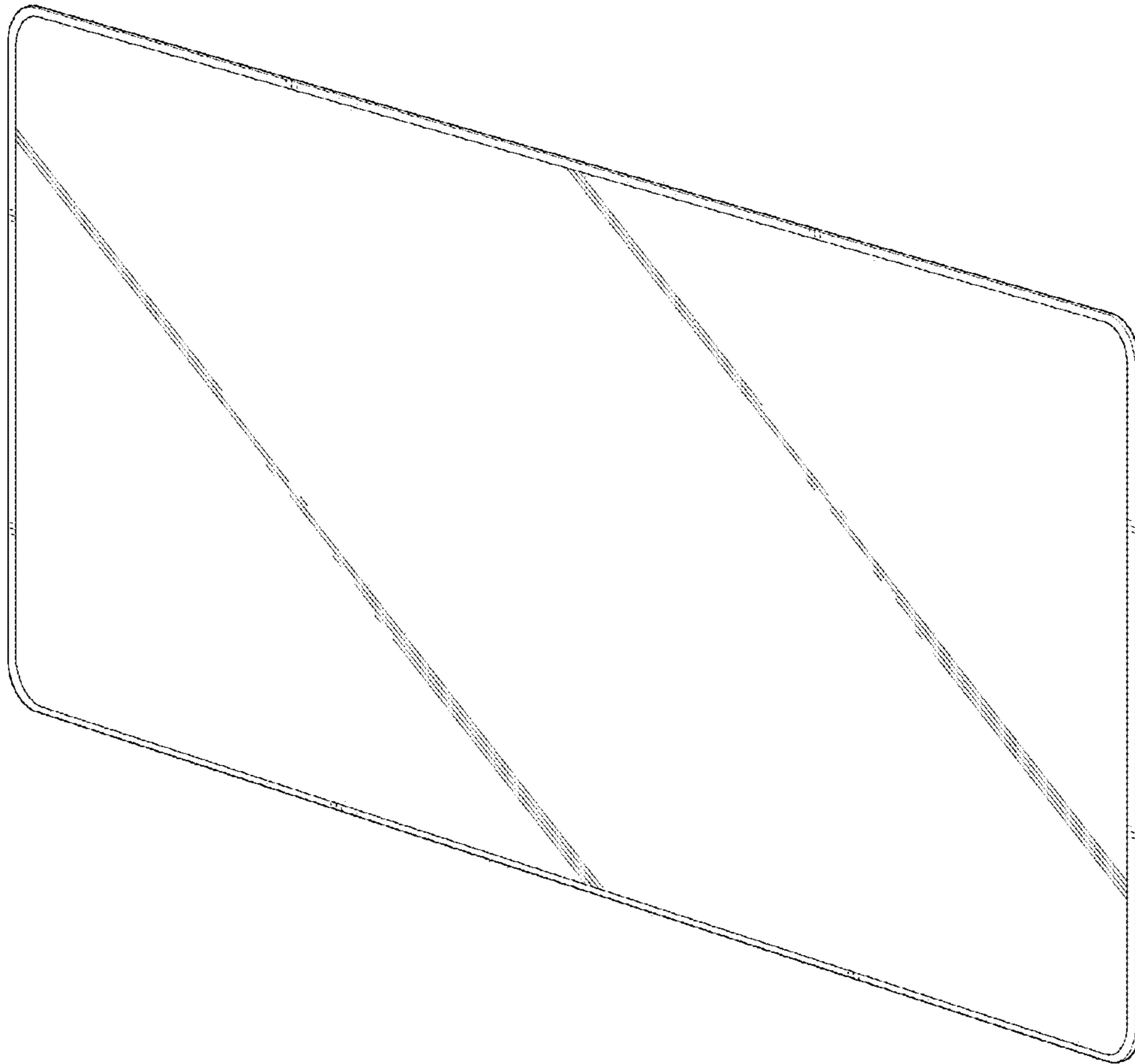


FIG. 2

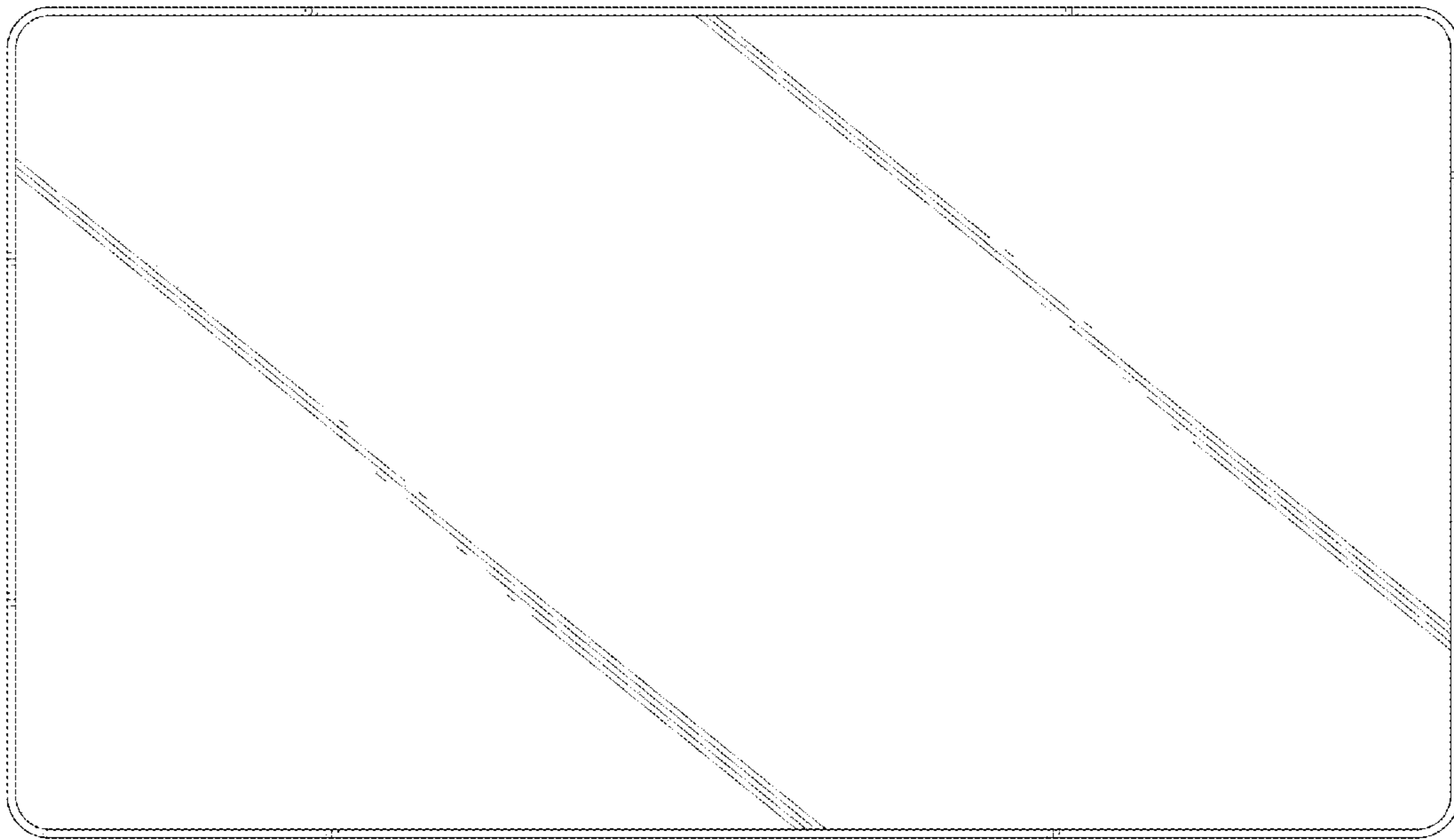


FIG. 3

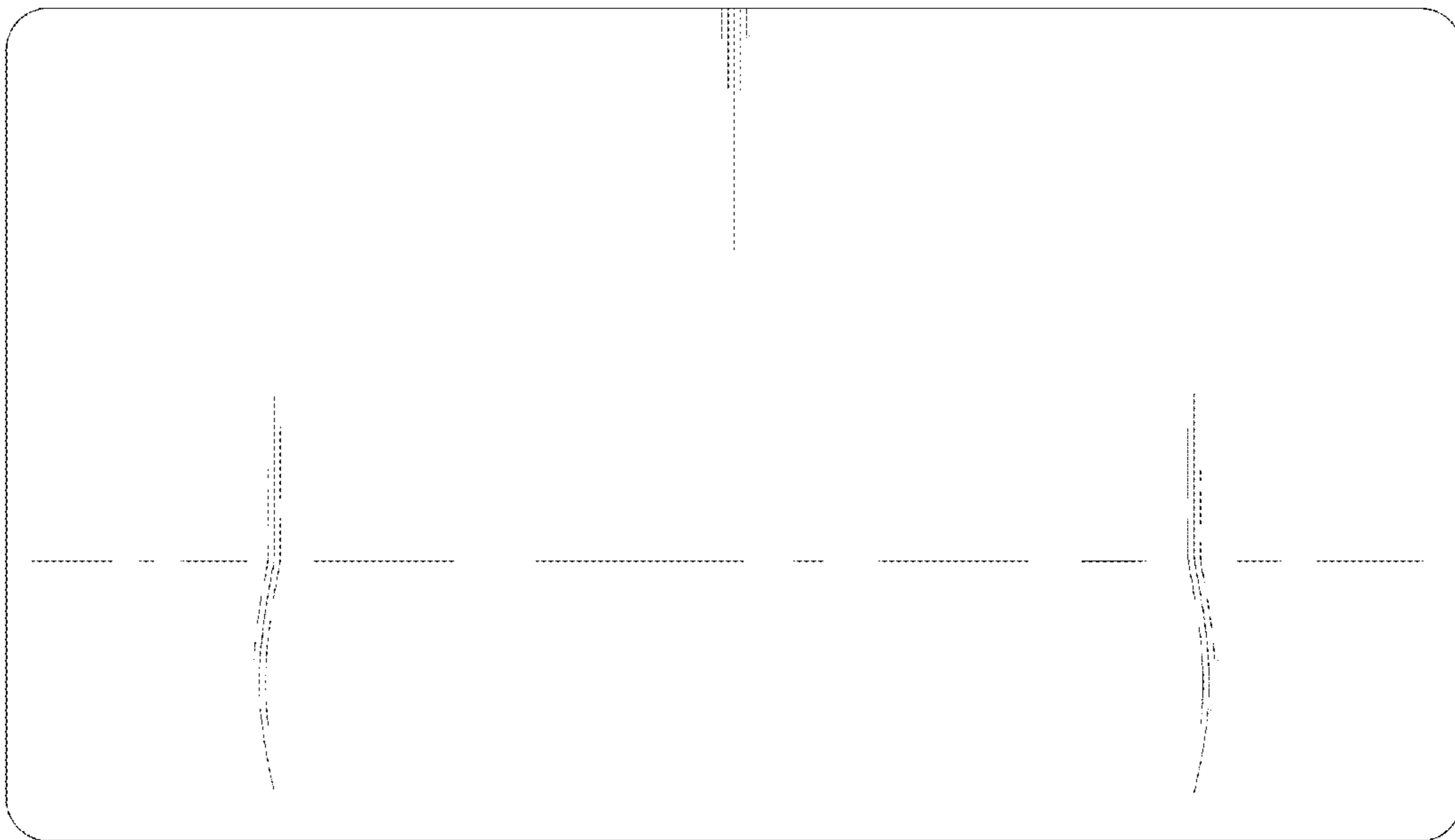
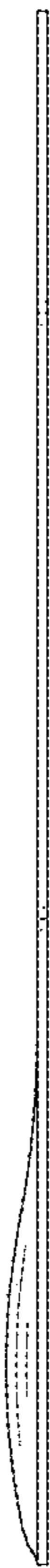


FIG. 4



**FIG. 5**

