

US00D756317S

(12) **United States Design Patent**
Finn et al.

(10) **Patent No.:** **US D756,317 S**
(45) **Date of Patent:** **** May 17, 2016**

- (54) **LAYOUT FOR CONTACT PADS AND CONNECTION BRIDGES OF A TRANSPONDER CHIP MODULE**
- (71) Applicants: **David Finn**, Tourmakeady (IE); **Mustafa Lotya**, Celbridge (IE)
- (72) Inventors: **David Finn**, Tourmakeady (IE); **Mustafa Lotya**, Celbridge (IE)
- (73) Assignee: **Féinics AmaTech Teoranta**, Tourmakeady, Co. Mayo (IE)
- (**) Term: **14 Years**
- (21) Appl. No.: **29/500,475**
- (22) Filed: **Aug. 26, 2014**
- (51) **LOC (10) Cl.** **13-03**
- (52) **U.S. Cl.**
USPC **D13/182**
- (58) **Field of Classification Search**
USPC D13/182; D14/435, 436, 437, 478, 479, D14/480, 474
CPC .. G11B 7/24; G11B 7/24035; G11B 7/24038; G11B 7/24041; G11B 7/24047; G11B 7/241; G11B 7/242; G11B 7/26; G11B 7/007; G11B 7/00736; G11B 27/3027; G11B 20/1217; G11B 2020/1218; H01L 23/00; H01L 23/02; H01L 23/04; H01L 23/12; H01L 23/13; H01L 23/14; H01L 23/147; H01L 23/28; H01L 23/29; G06K 19/07749; G06K 19/07745; G06K 19/07747; G06K 19/077; G06K 19/04; G06K 19/041; G06K 19/042; G06K 19/044; G06K 19/045; G06K 19/06; G06K 19/06009; G06K 19/06018; G06K 19/06028; G06K 19/06037; G06K 19/06046; G06K 19/067; G06K 19/0672; G06K 9/0677; G06K 19/07; G06K 17/0701; G06Q 20/34; G06Q 20/341
See application file for complete search history.

- (56) **References Cited**
U.S. PATENT DOCUMENTS
5,031,026 A * 7/1991 Ueda G06K 19/02
235/488

D327,883 S *	7/1992	Gloton	D13/182
D328,599 S *	8/1992	Gloton	D13/182
D342,728 S *	12/1993	Gloton	D14/437
D344,502 S *	2/1994	Gloton	D14/437
D353,136 S *	12/1994	Gloton	D14/437
D357,909 S *	5/1995	Gloton	D14/437
D358,142 S *	5/1995	Gloton	D14/437
D393,458 S *	4/1998	Merlin	D14/437
D406,821 S *	3/1999	Fischer	D13/182
D406,822 S *	3/1999	Huber	D13/182
D416,246 S	11/1999	Hileman		
D492,688 S *	7/2004	Wallace	D14/436
D571,810 S *	6/2008	Ikeda	D14/437
D602,885 S *	10/2009	Nielsen	D13/182
8,649,820 B2 *	2/2014	Schwandt	G06K 19/07732 455/557
D701,864 S *	4/2014	Lepp	D14/436

(Continued)

OTHER PUBLICATIONS

Smart card, Wikipedia, Jul. 24, 2014, 12 pages (page 1 shows many different contact pad layouts, for SIMs).

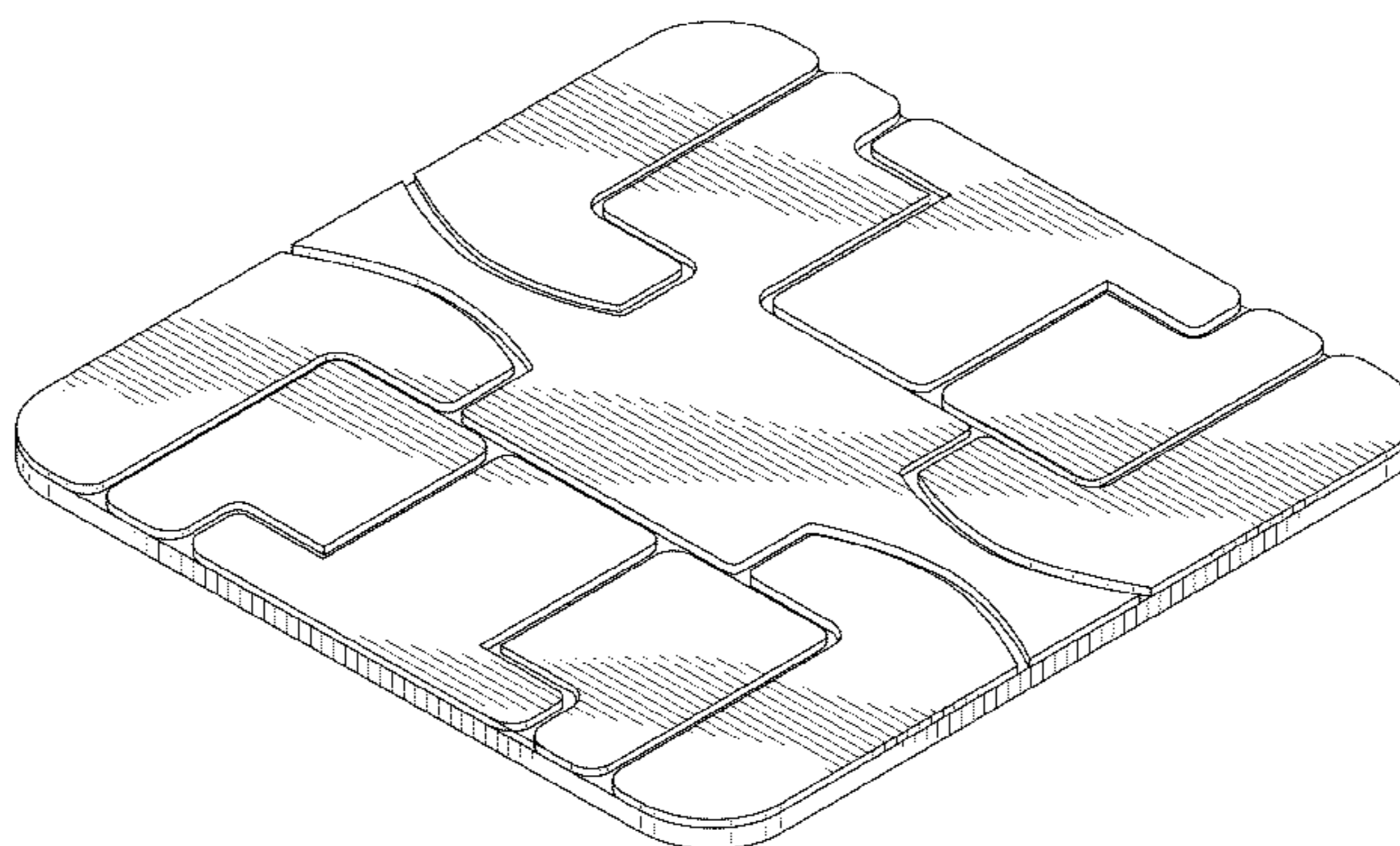
Primary Examiner — Elizabeth J Oswecki
(74) *Attorney, Agent, or Firm* — Gerald E. Linden

(57) **CLAIM**
The ornamental design for a layout for contact pads and connection bridges of a transponder chip module, as shown and described.

DESCRIPTION

FIG. 1 is a perspective view of a layout for contact pads and connection bridges of a transponder chip module showing our new design;
FIG. 2 is a front elevation view thereof;
FIG. 3 is a top plan view thereof;
FIG. 4 is a bottom plan view thereof;
FIG. 5 is a left side elevation view thereof; and,
FIG. 6 is a right side elevation view thereof.
Portions of the article not shown form no part of the claimed design.

1 Claim, 2 Drawing Sheets



US D756,317 S

Page 2

(56)

References Cited

U.S. PATENT DOCUMENTS

D702,240 S * 4/2014 Lepp D14/436
D703,208 S * 4/2014 Lepp D14/436
D720,354 S * 12/2014 Komatsu D14/437

D721,047 S * 1/2015 Vinciarelli D13/182
2007/0205017 A1 * 9/2007 Takakusaki H05K 3/341
174/260

2014/0104133 A1 4/2014 Finn
2014/0152511 A1 6/2014 Merlin et al.

* cited by examiner

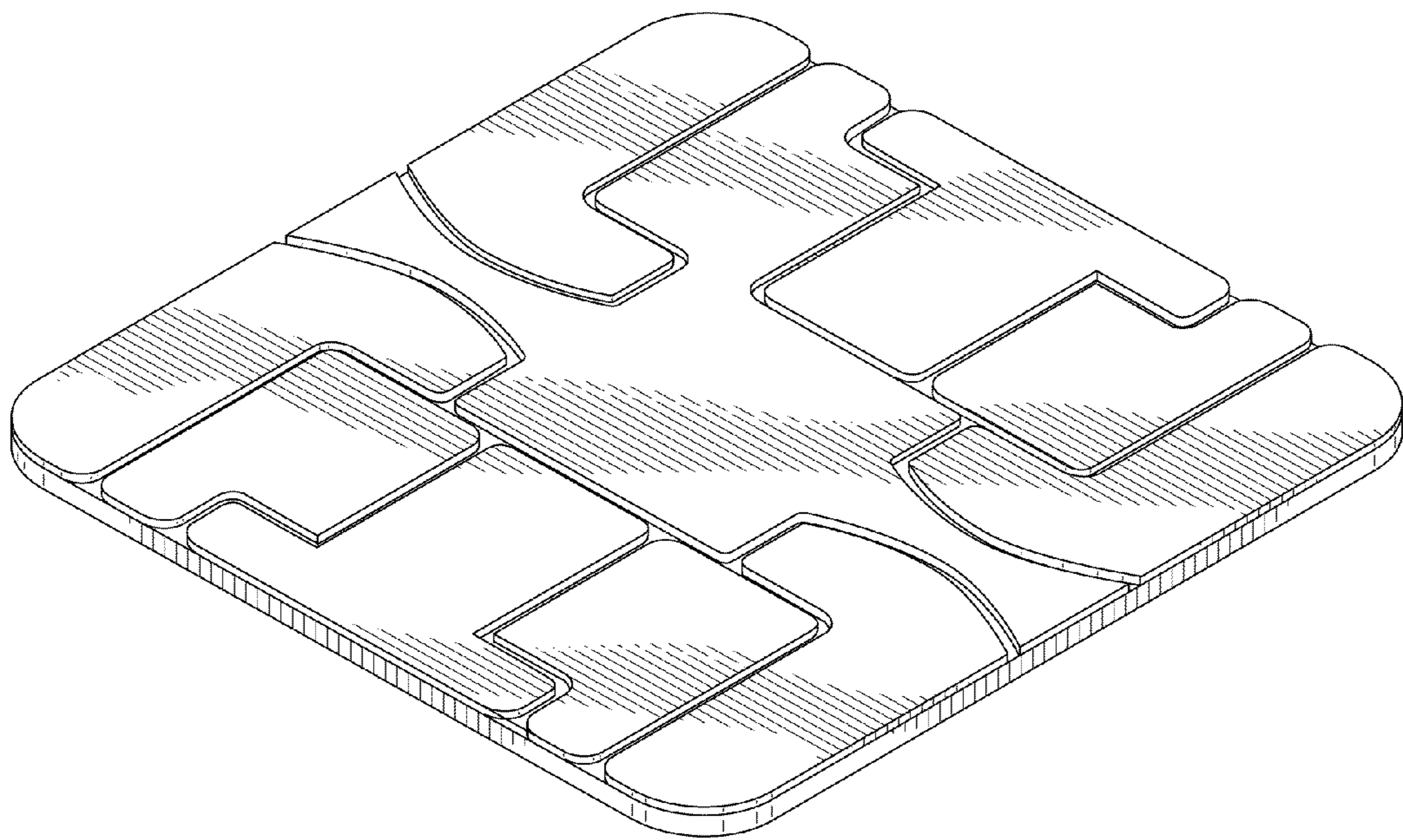


FIG. 1

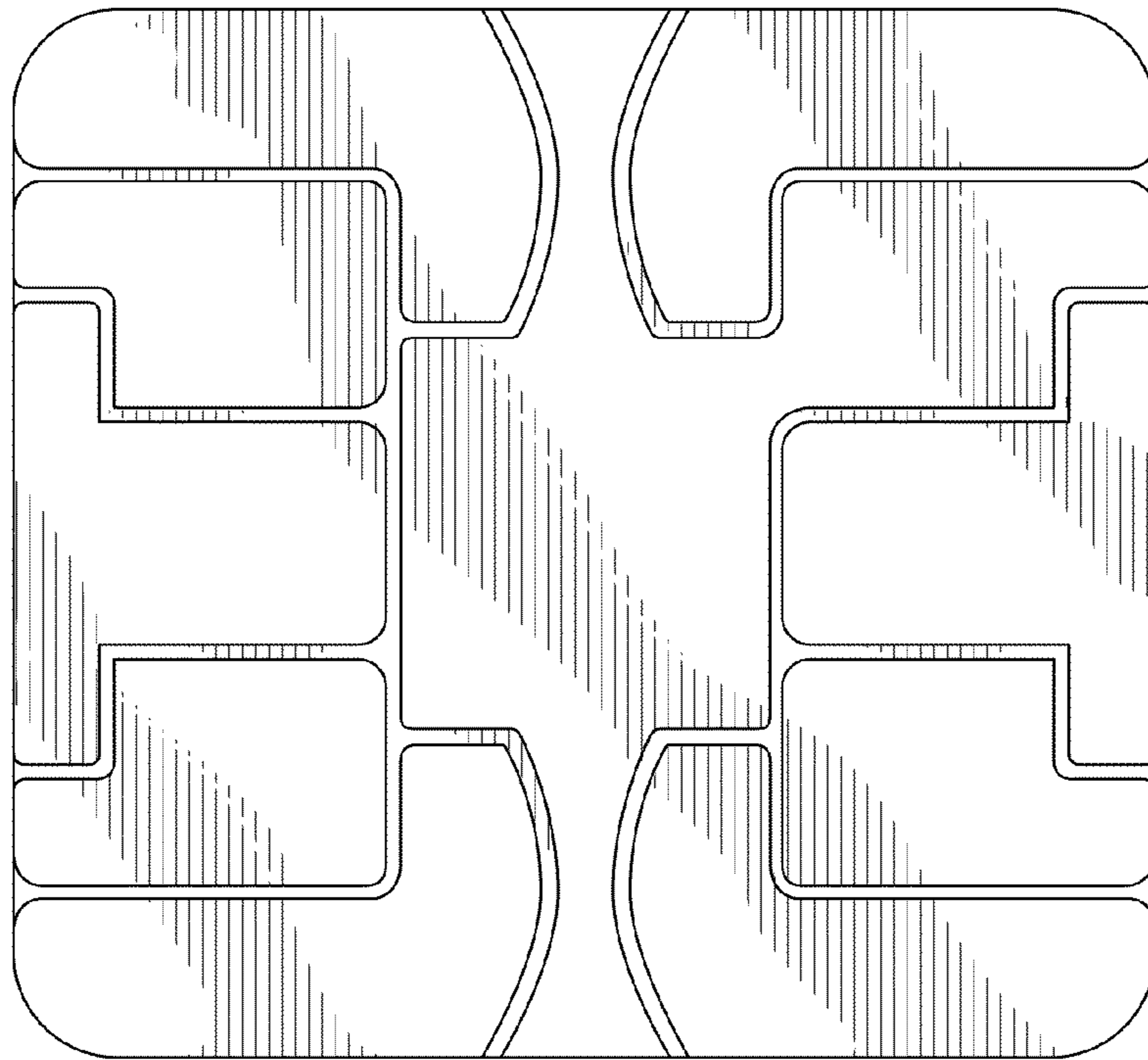


FIG. 2

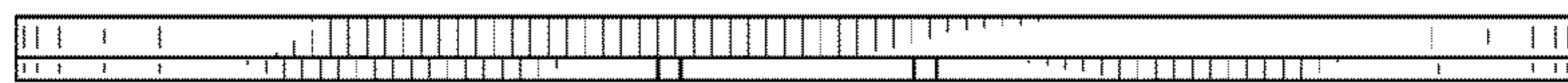


FIG. 3



FIG. 4

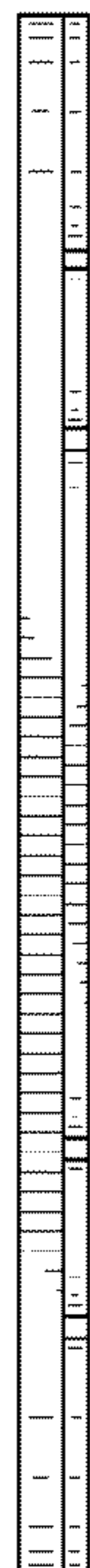


FIG. 5



FIG. 6