



US00D756315S

(12) **United States Design Patent**
Zheng et al.

(10) **Patent No.:** **US D756,315 S**
(45) **Date of Patent:** **** May 17, 2016**

(54) **CAM SWITCH**

(71) Applicant: **ABB Oy**, Helsinki (FI)

(72) Inventors: **Qifeng Zheng**, Quanzhou (CN); **Qishun Guo**, Fujian (CN); **Xinde Lin**, Wenling (CN); **Jiejun Lu**, Fujian (CN); **Shujing Ye**, Fujian (CN)

(73) Assignee: **ABB OY**, Helsinki (FI)

(**) Term: **15 Years**

(21) Appl. No.: **29/531,936**

(22) Filed: **Jun. 30, 2015**

Related U.S. Application Data

(62) Division of application No. 29/443,176, filed on Jan. 14, 2013, now Pat. No. Des. 738,323.

Foreign Application Priority Data

Jul. 16, 2012 (CN) 2012 3 0328647

(51) **LOC (10) Cl.** **13-03**

(52) **U.S. Cl.**
USPC **D13/169**; D13/158

(58) **Field of Classification Search**
USPC D13/158, 160, 162, 169, 171, 178
CPC H01H 1/02; H01H 1/08; H01H 1/20;
H01H 3/20; H01H 3/40; H01H 3/42; H01H
9/22; H01H 9/282; H01H 19/00; H01H
19/035; H01H 19/114; H01H 19/6355;
H01H 19/64
See application file for complete search history.

References Cited

U.S. PATENT DOCUMENTS

4,335,288 A 6/1982 Ludwig et al.
4,713,498 A 12/1987 Ludwig et al.

4,851,620 A	7/1989	Schaeffer	
4,861,949 A	8/1989	Bortolloni et al.	
D393,626 S	4/1998	Siat	
6,072,128 A	6/2000	Ansorge et al.	
6,423,912 B1	7/2002	Arenz et al.	
6,576,851 B1	6/2003	Barlian et al.	
6,969,813 B1	11/2005	Winslett et al.	
7,368,675 B2	5/2008	Ishido et al.	
7,514,645 B2	4/2009	Shahmuradyan	
7,870,810 B2	1/2011	Da Dalt et al.	
D658,597 S	5/2012	Kuwae et al.	
D738,322 S *	9/2015	Zheng	D13/158
D738,323 S *	9/2015	Zheng	D13/158
D738,324 S *	9/2015	Zheng	D13/158
2012/0080298 A1	4/2012	Lee	
2014/0097155 A1 *	4/2014	Uitto	H01H 1/2041 218/154

(Continued)

Primary Examiner — Selina Sikder

(74) *Attorney, Agent, or Firm* — Buchanan, Ingersoll & Rooney PC

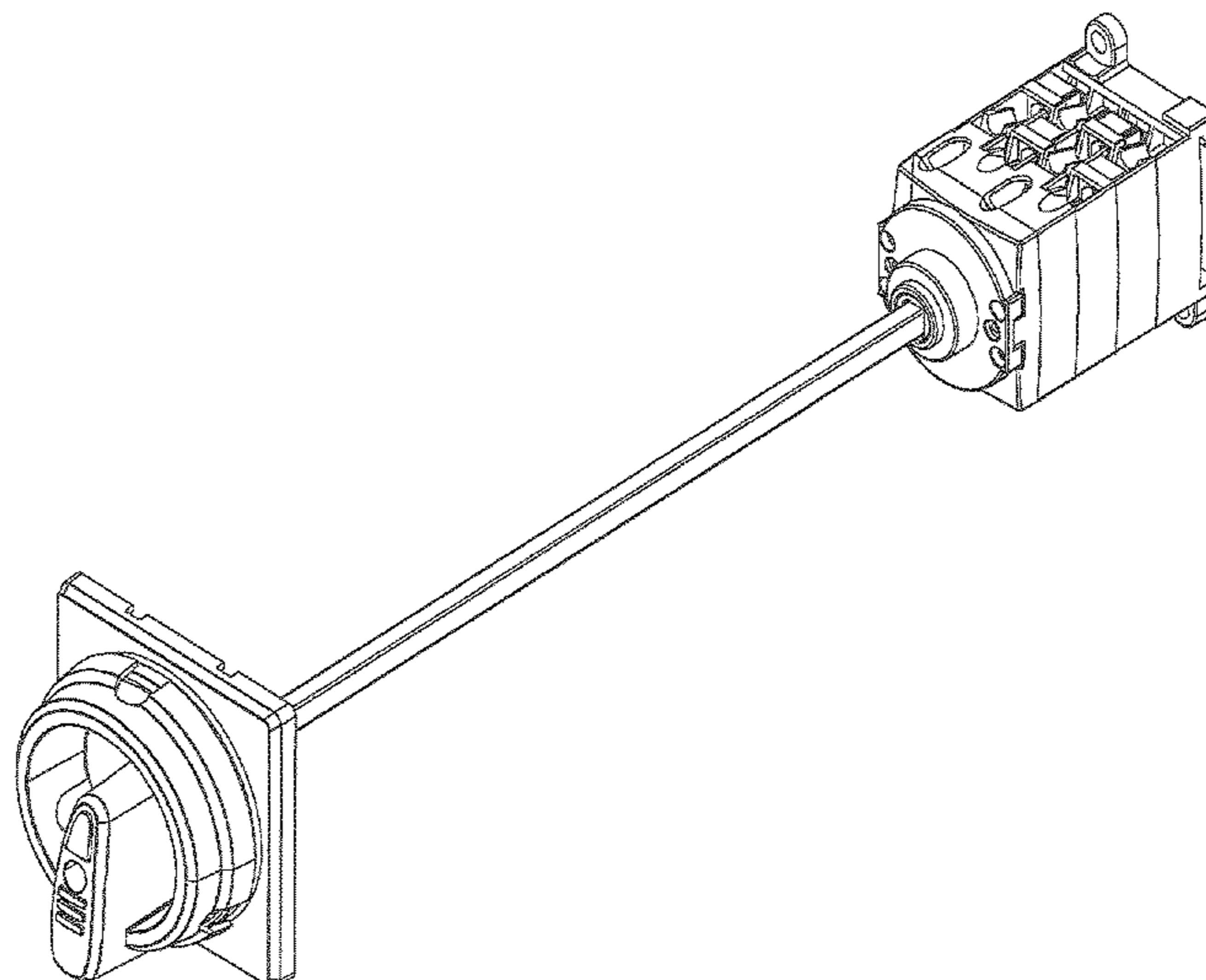
(57) **CLAIM**

The ornamental design for a cam switch, as shown and described.

DESCRIPTION

FIG. 1 is a perspective view of a cam switch showing our new design.
FIG. 2 is a front elevational view thereof.
FIG. 3 is a rear elevational view thereof drawn at a larger scale for ease of illustration.
FIG. 4 is a left side elevational view thereof.
FIG. 5 is a right side elevational view thereof.
FIG. 6 is a top plan view thereof.
FIG. 7 is a bottom plan view thereof; and,
FIG. 8 is an enlarged bottom plan view of the lower end unit shown in FIG. 7 drawn at a larger scale for ease of illustration. The broken line showing of the cam switch is for the purpose of illustrating environmental structure and forms no part of the claimed design.

1 Claim, 7 Drawing Sheets



US D756,315 S

Page 2

(56)

References Cited

U.S. PATENT DOCUMENTS

2014/0326585 A1 11/2014 Reinhart et al.
2015/0008108 A1* 1/2015 Wu H01R 4/38
200/293

2014/0144761 A1* 5/2014 Webber H01H 19/02
200/11 A

* cited by examiner

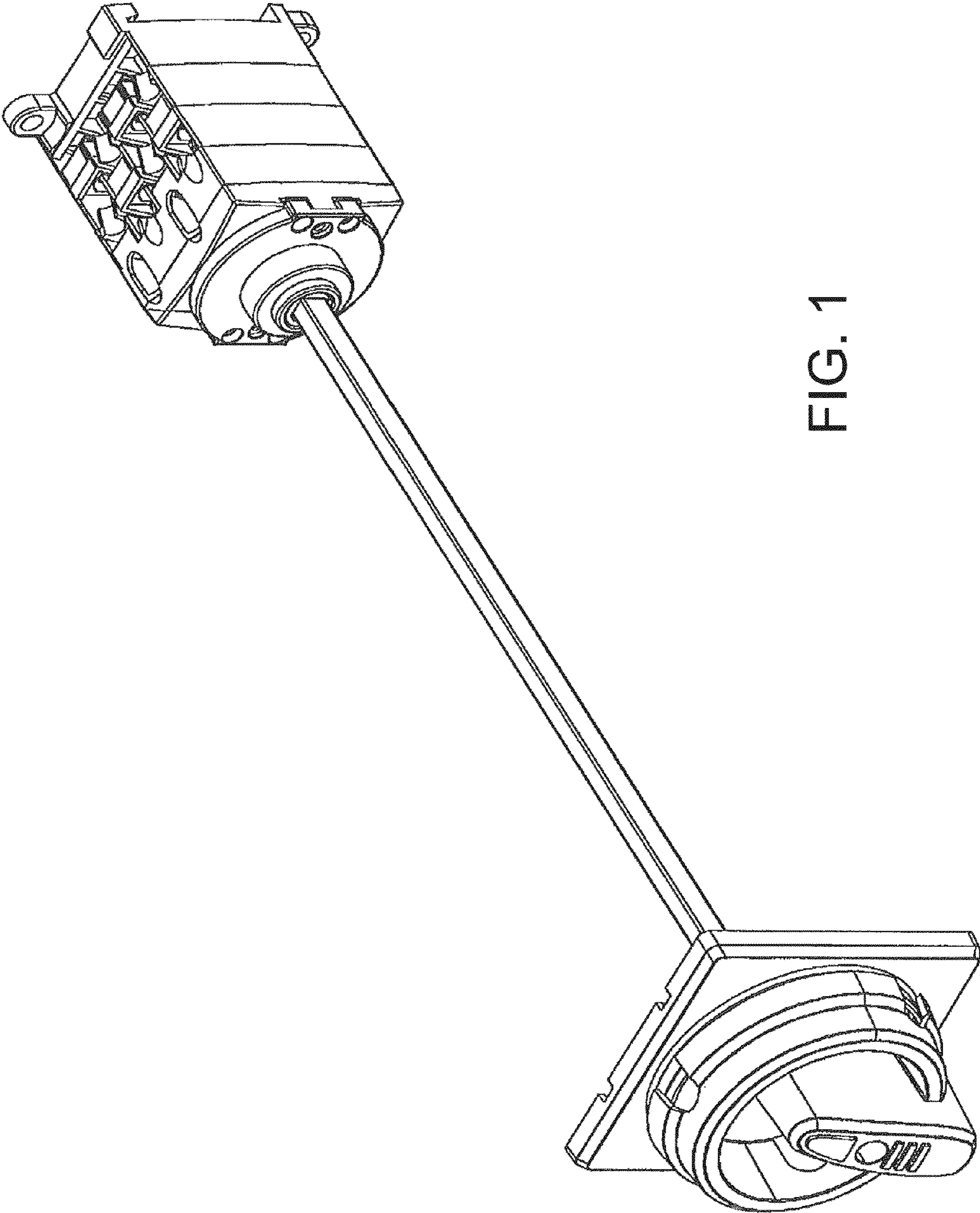


FIG. 1

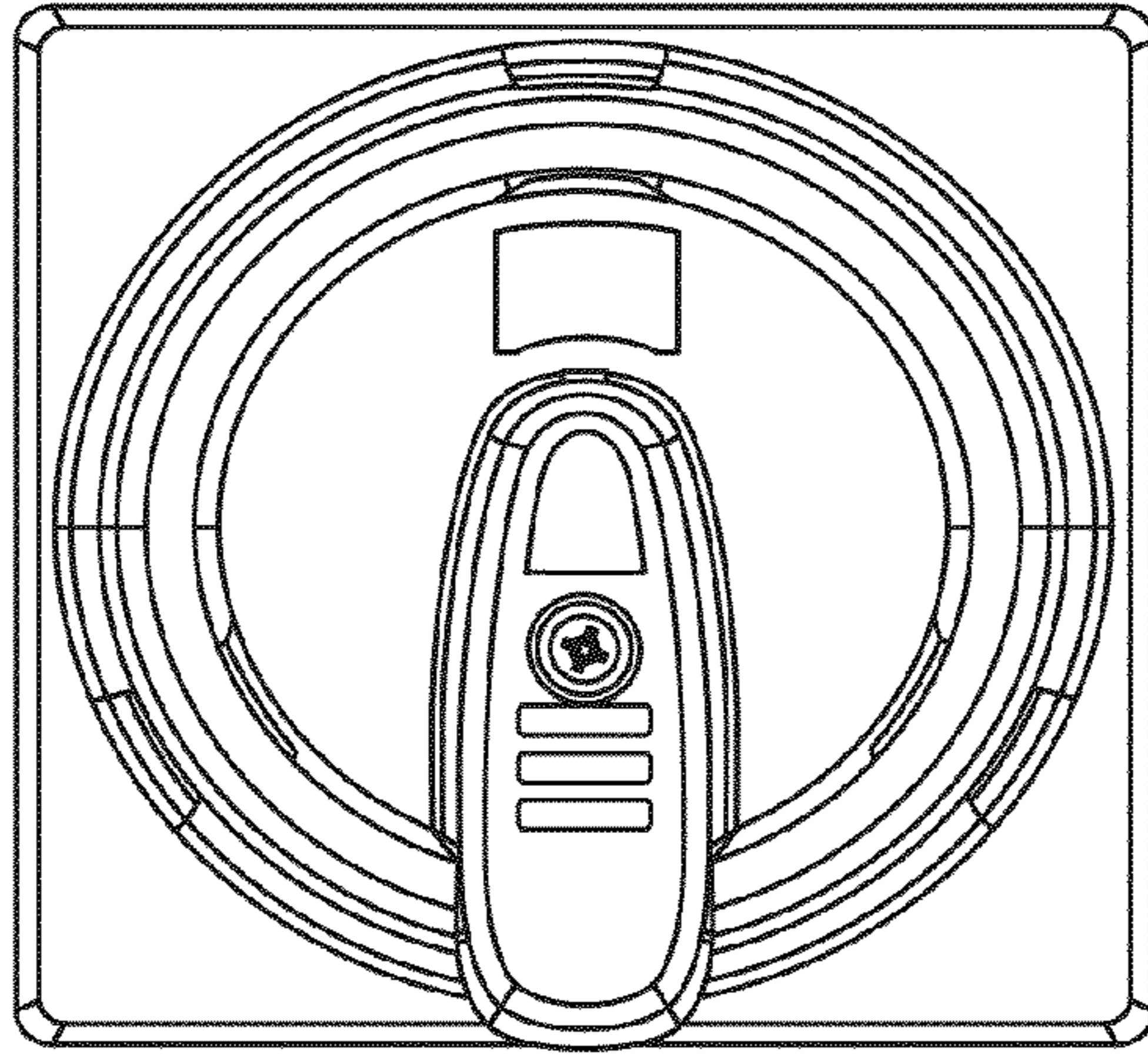


FIG. 2

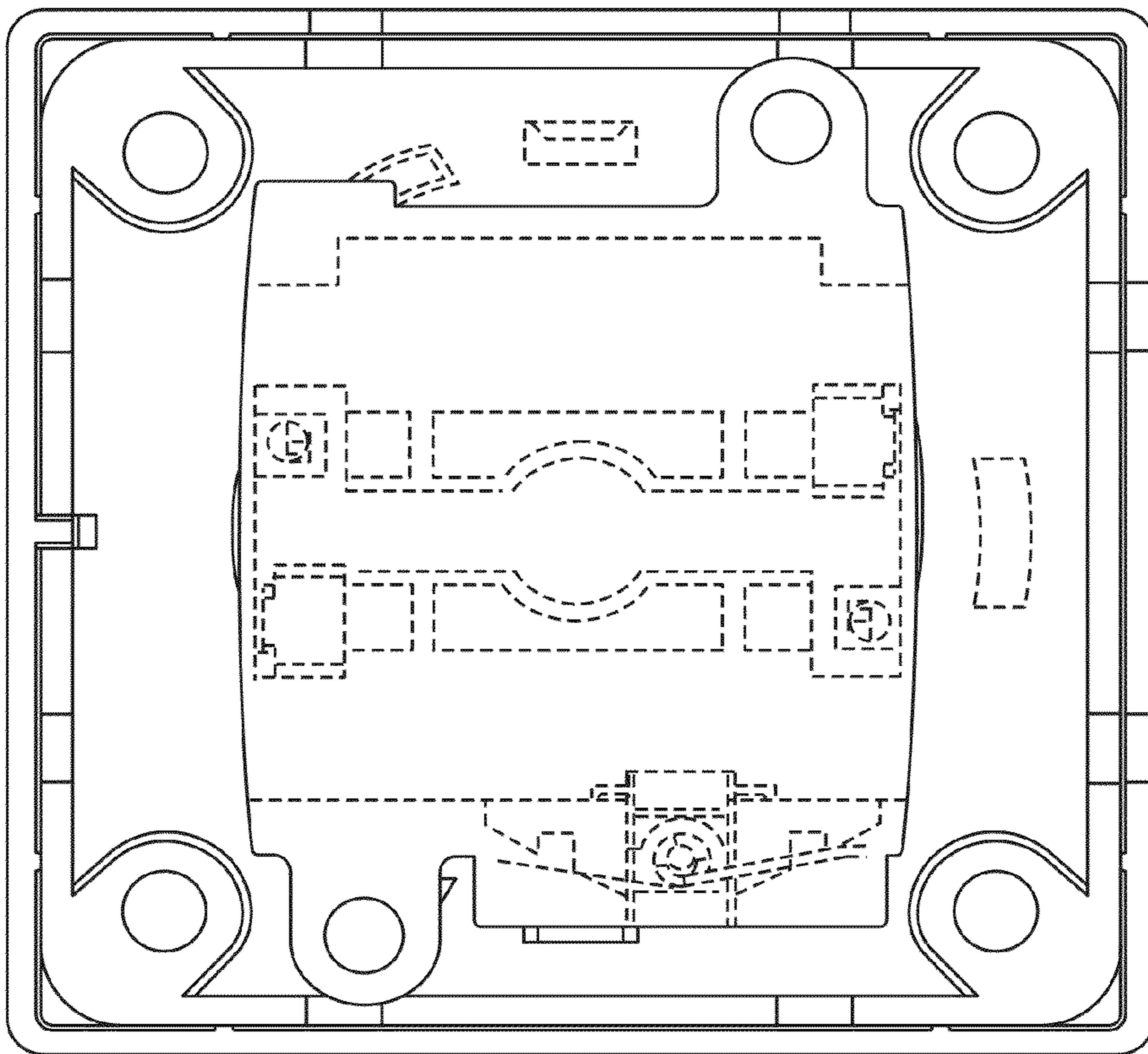


FIG. 3

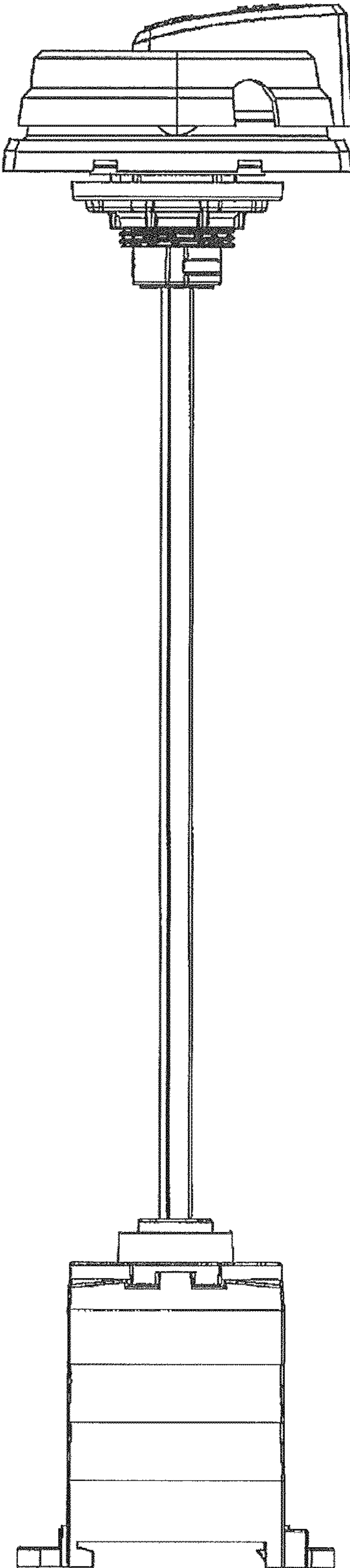


FIG. 4

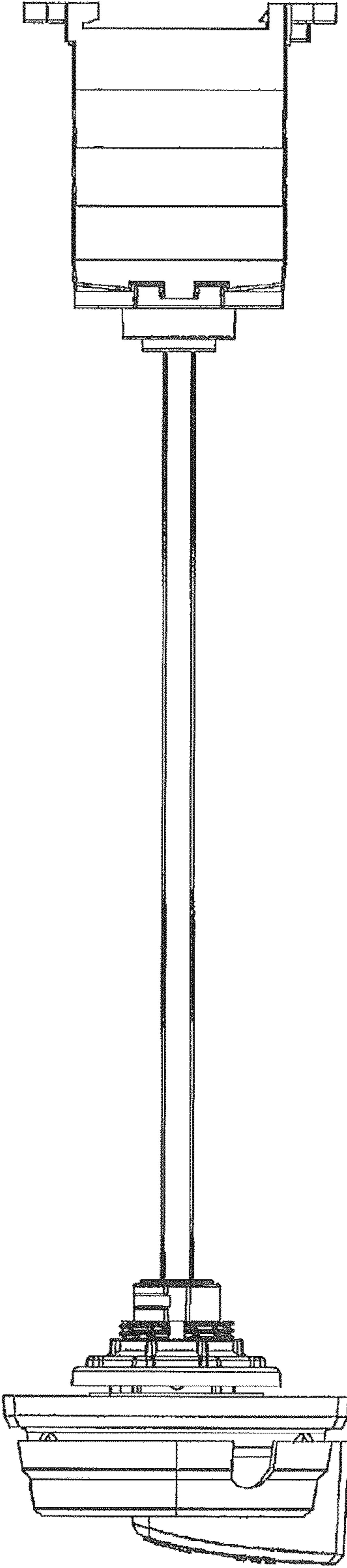


FIG. 5

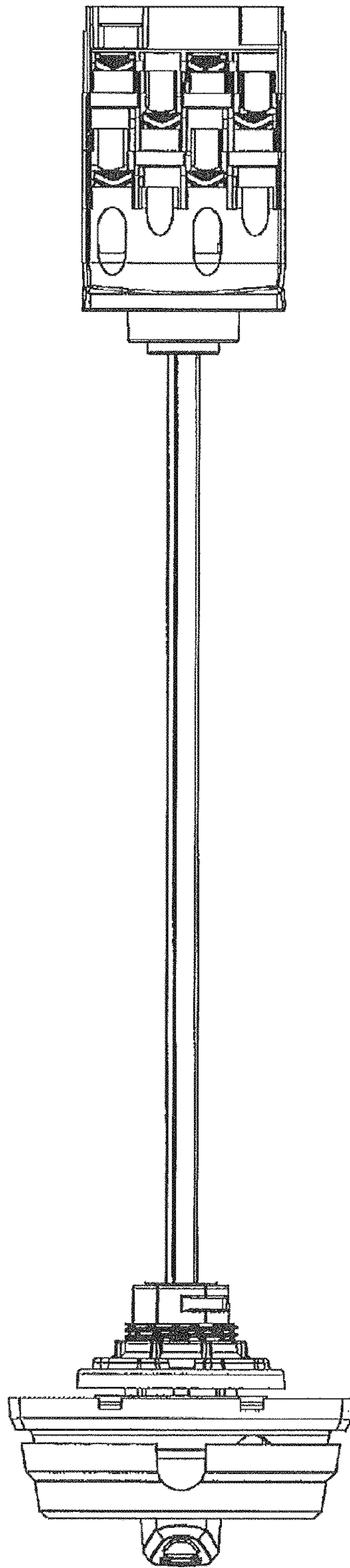


FIG. 6

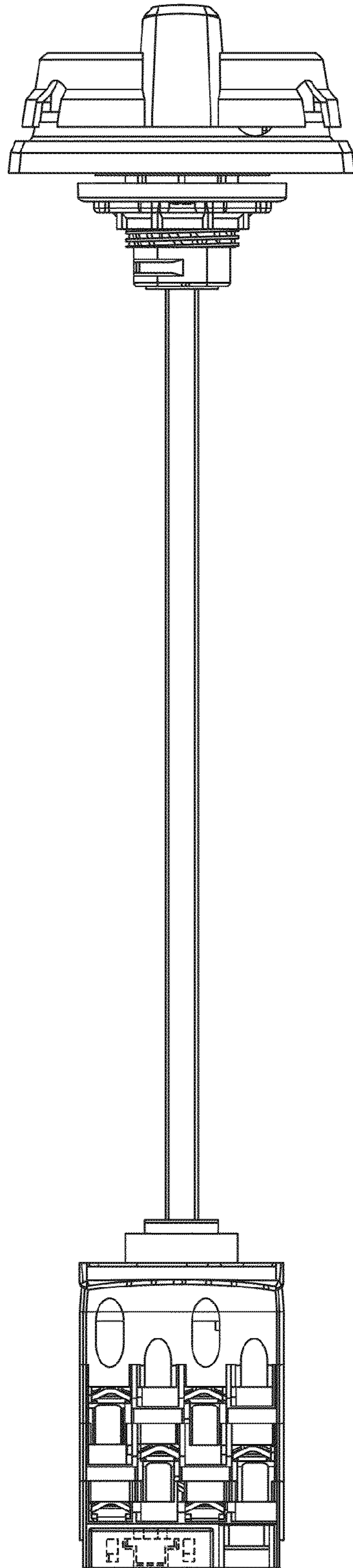


FIG. 7

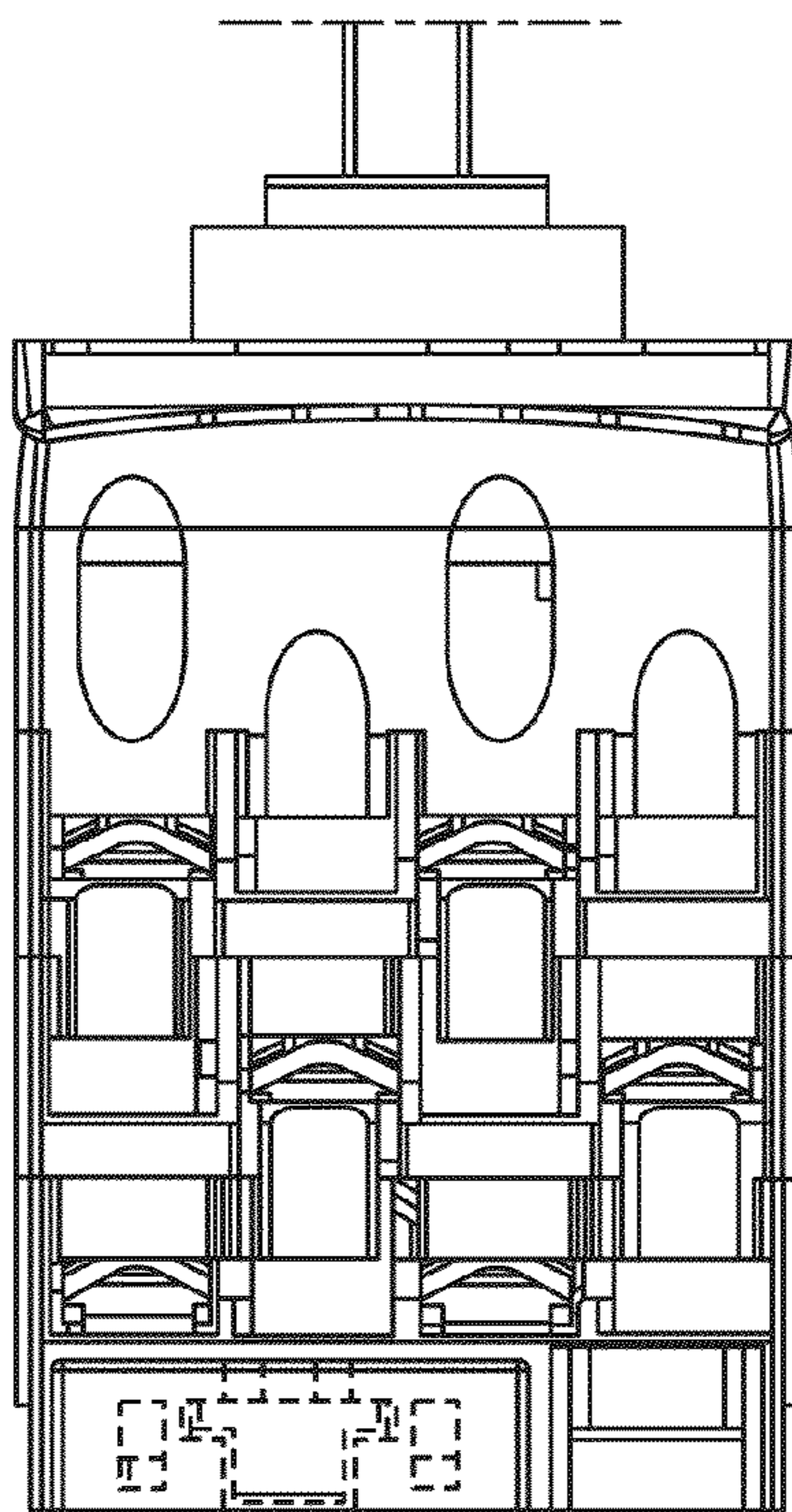


FIG. 8