



US00D756309S

(12) **United States Design Patent**
Zheng et al.

(10) **Patent No.:** **US D756,309 S**
(45) **Date of Patent:** **** May 17, 2016**

- (54) **CAM SWITCH**
- (71) Applicant: **ABB Oy**, Helsinki (FI)
- (72) Inventors: **Qifeng Zheng**, Quanzhou (CN);
Qishun Guo, Fujian (CN); **Xinde Lin**,
Wenling (CN); **Jiejun Lu**, Fujian (CN);
Shujing Ye, Fujian (CN)
- (73) Assignee: **ABB OY**, Helsinki (FI)
- (**) Term: **15 Years**
- (21) Appl. No.: **29/531,788**
- (22) Filed: **Jun. 30, 2015**

4,861,949	A	8/1989	Bortolloni et al.
D393,626	S	4/1998	Siat
6,072,128	A	6/2000	Ansorge et al.
6,423,912	B1	7/2002	Arenz et al.
6,576,851	B1	6/2003	Barlian et al.
6,969,813	B1	11/2005	Winslett et al.
7,368,675	B2	5/2008	Ishido et al.
7,514,645	B2	4/2009	Shahmuradyan
7,870,810	B2	1/2011	Da Dalt et al.
D658,597	S	5/2012	Kuwae et al.
D738,322	S *	9/2015	Zheng D13/158
D738,323	S *	9/2015	Zheng D13/158
D738,324	S *	9/2015	Zheng D13/158
2012/0080298	A1	4/2012	Lee
2014/0097155	A1 *	4/2014	Uitto H01H 1/2041 218/154
2014/0144761	A1 *	5/2014	Webber H01H 19/02 200/11 A
2014/0326585	A1	11/2014	Reinhart et al.
2015/0008108	A1 *	1/2015	Wu H01R 4/38 200/293

Related U.S. Application Data

- (62) Division of application No. 29/443,176, filed on Jan. 14, 2013, now Pat. No. Des. 738,323.

Foreign Application Priority Data

- Jul. 16, 2012 (CN) 2012 3 0328647

- (51) **LOC (10) CL.** **13-03**
- (52) **U.S. CL.**
USPC **D13/169**; D13/158

- (58) **Field of Classification Search**
USPC D13/158, 160, 162, 169, 171, 178
CPC H01H 1/02; H01H 1/08; H01H 1/20;
H01H 3/20; H01H 3/40; H01H 3/42; H01H
9/22; H01H 9/282; H01H 19/00; H01H
19/035; H01H 19/114; H01H 19/6355;
H01H 19/64
See application file for complete search history.

References Cited

U.S. PATENT DOCUMENTS

- 4,335,288 A 6/1982 Ludwig et al.
- 4,713,498 A 12/1987 Ludwig et al.
- 4,851,620 A 7/1989 Schaeffer

* cited by examiner

Primary Examiner — Selina Sikder

(74) *Attorney, Agent, or Firm* — Buchanan Ingersoll & Rooney PC

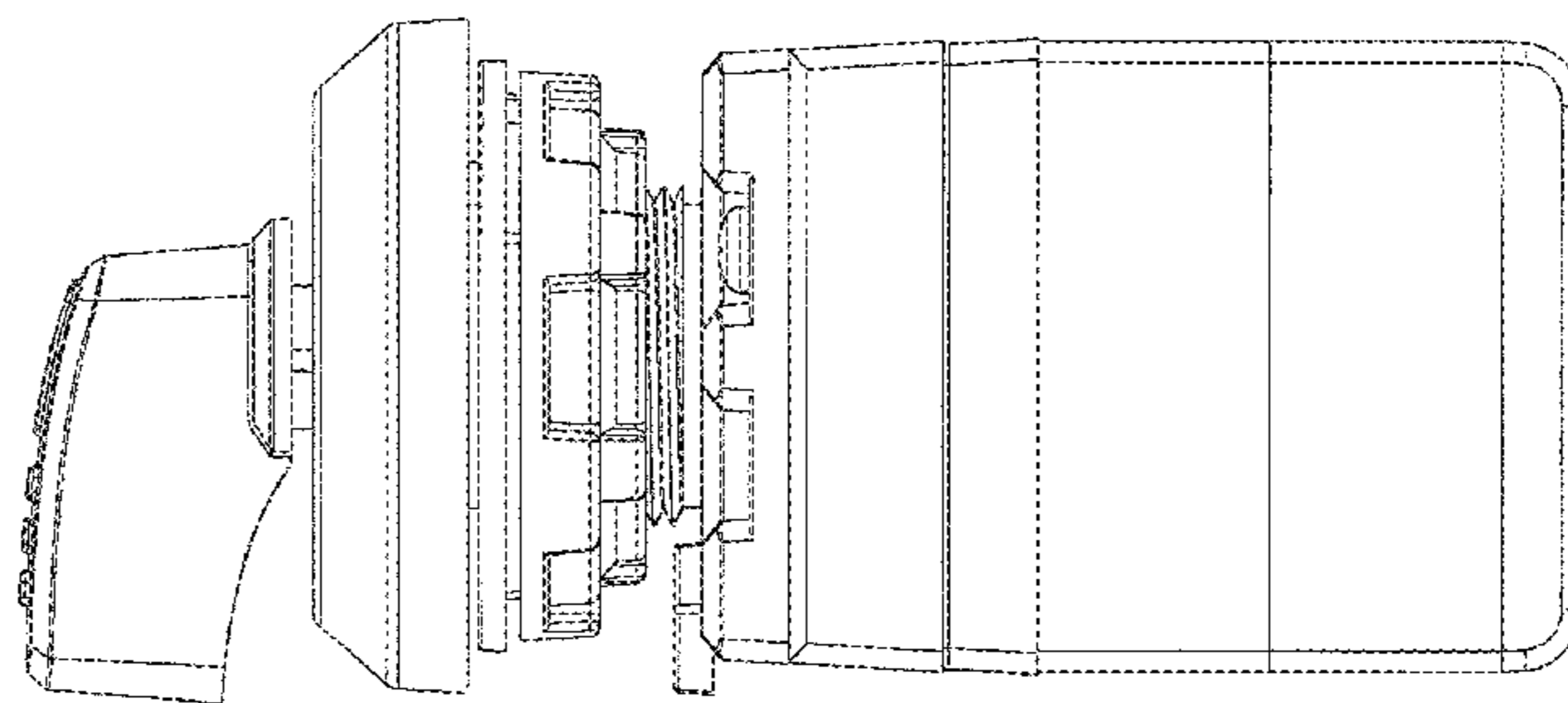
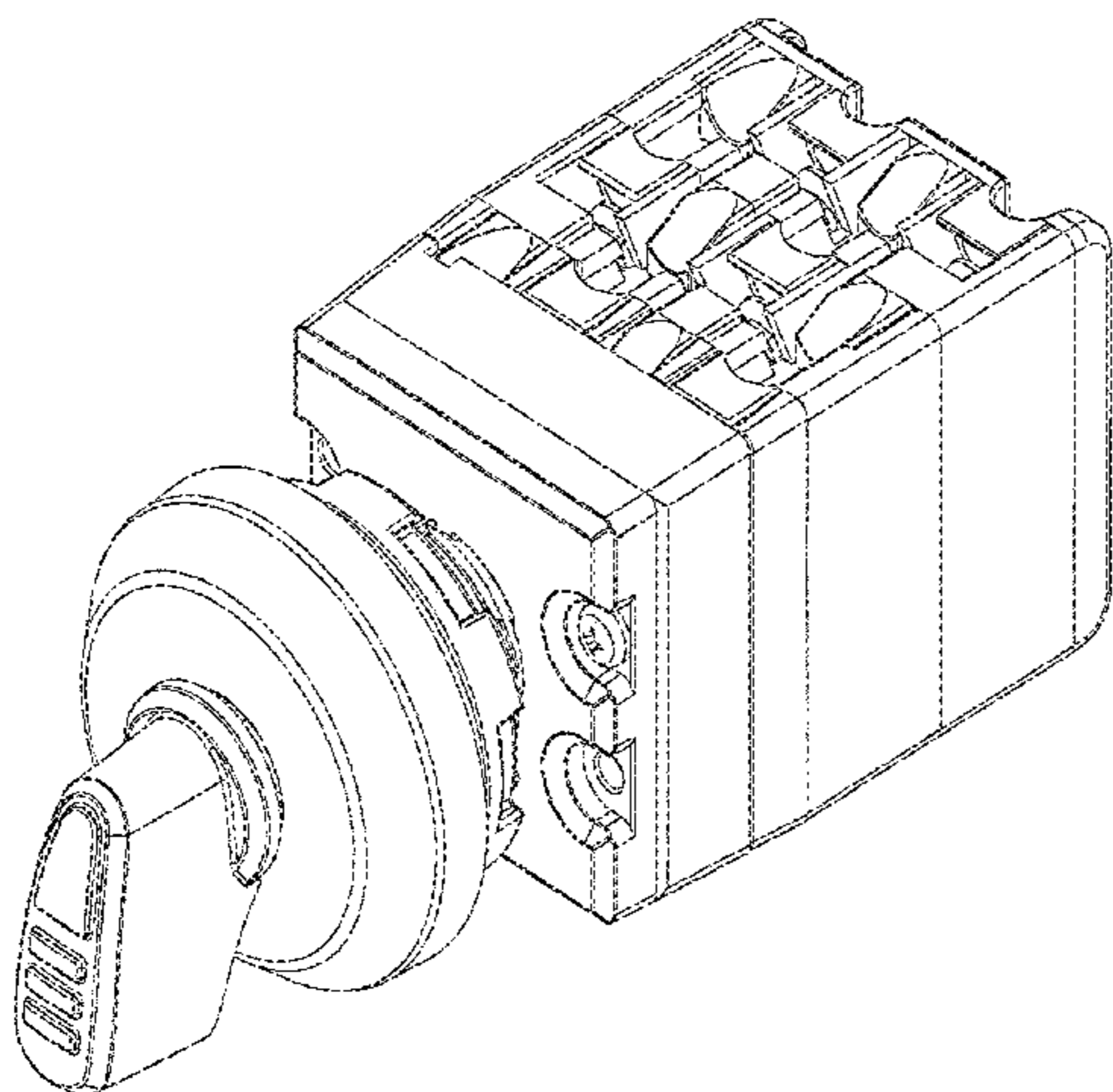
CLAIM

(57) The ornamental design for a cam switch, as shown and described.

DESCRIPTION

FIG. 1 is a perspective view of a cam switch showing our new design.
 FIG. 2 is a front elevational view thereof.
 FIG. 3 is a rear elevational view thereof.
 FIG. 4 is a left side elevational view thereof.
 FIG. 5 is a right side elevational view thereof.
 FIG. 6 is a top plan view thereof; and,
 FIG. 7 is a bottom plan view thereof.
 The broken line showing of the cam switch is for the purpose of illustrating environmental structure and forms no part of the claimed design.

1 Claim, 6 Drawing Sheets



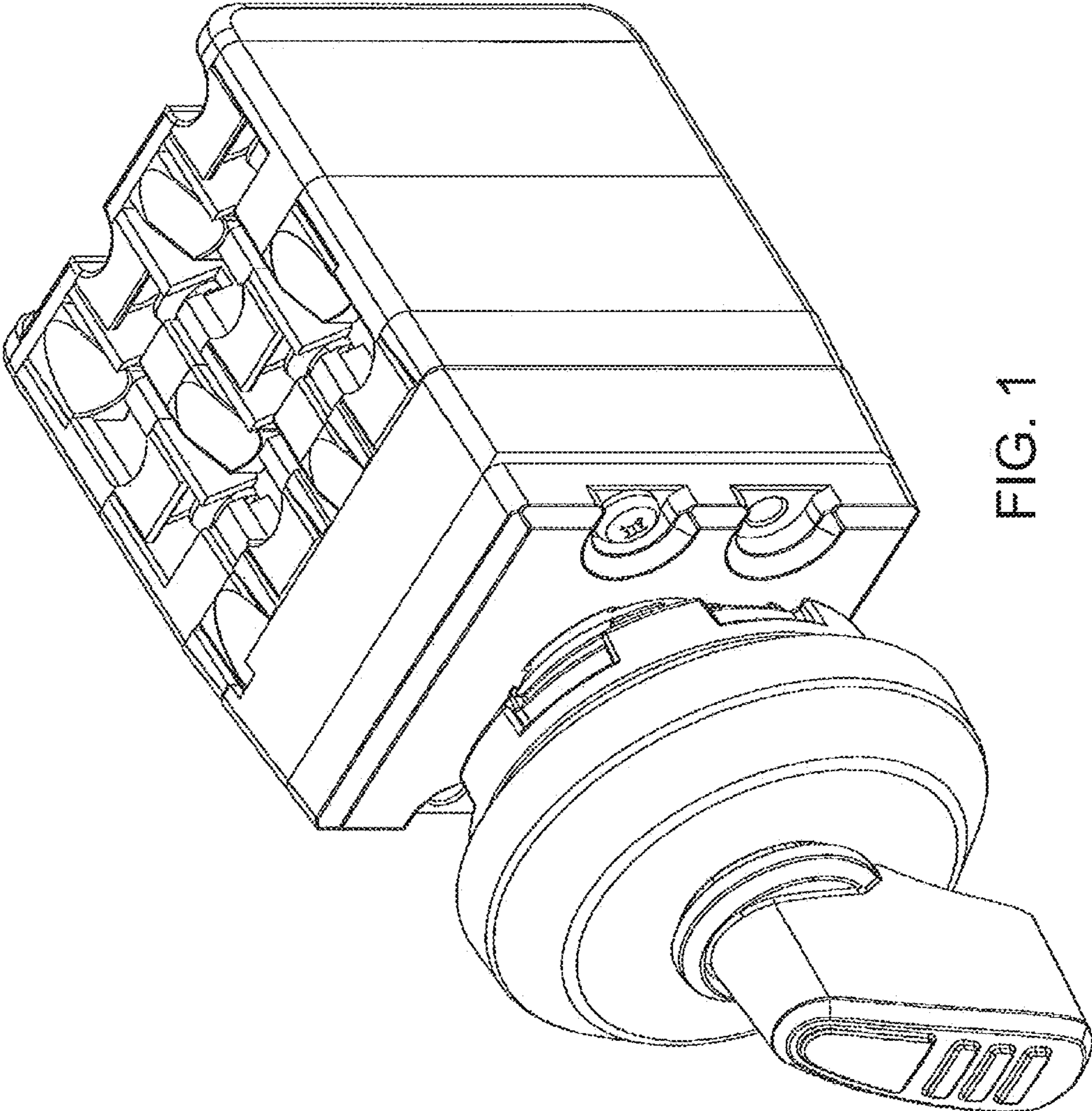


FIG. 1

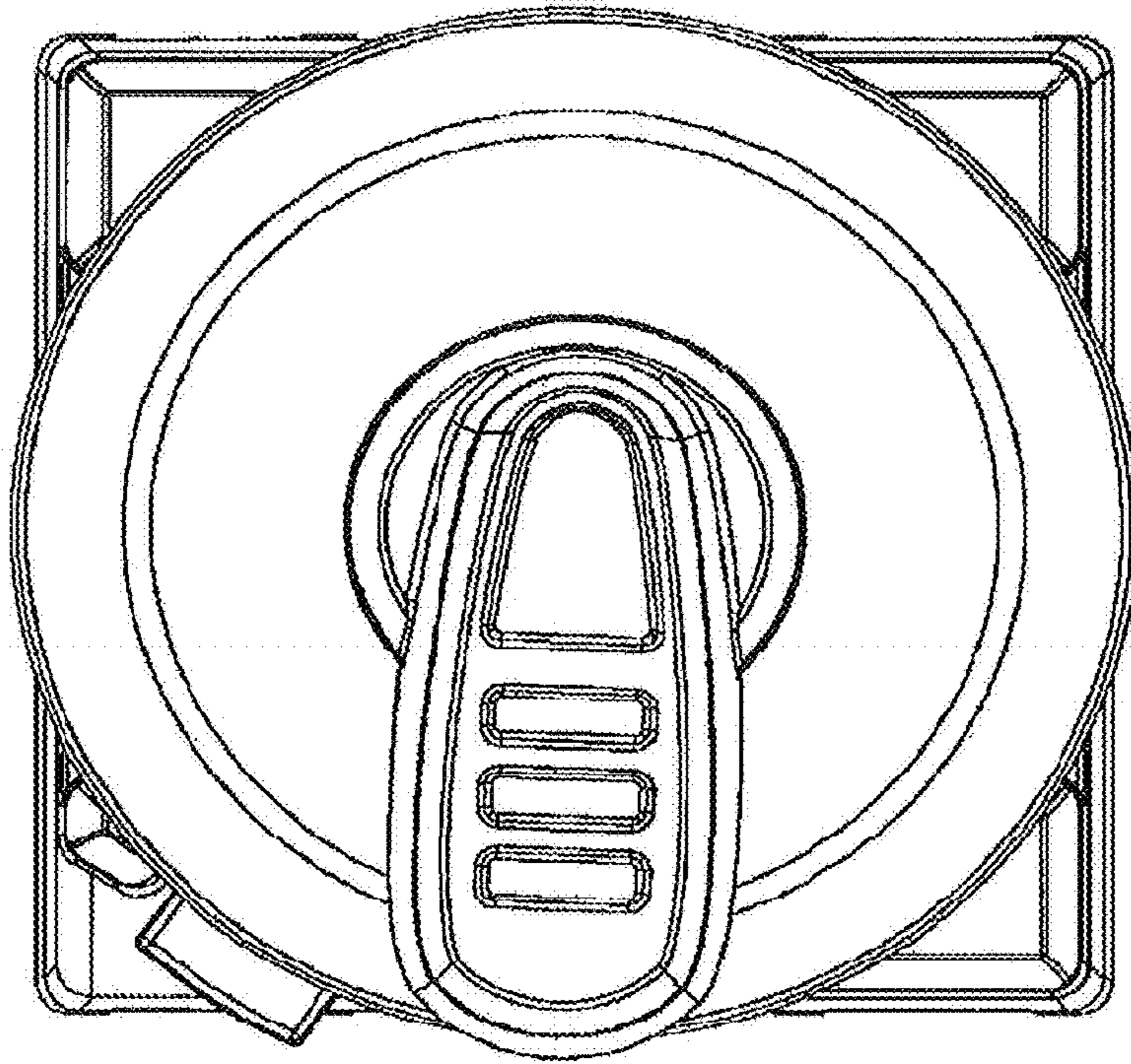


FIG. 2

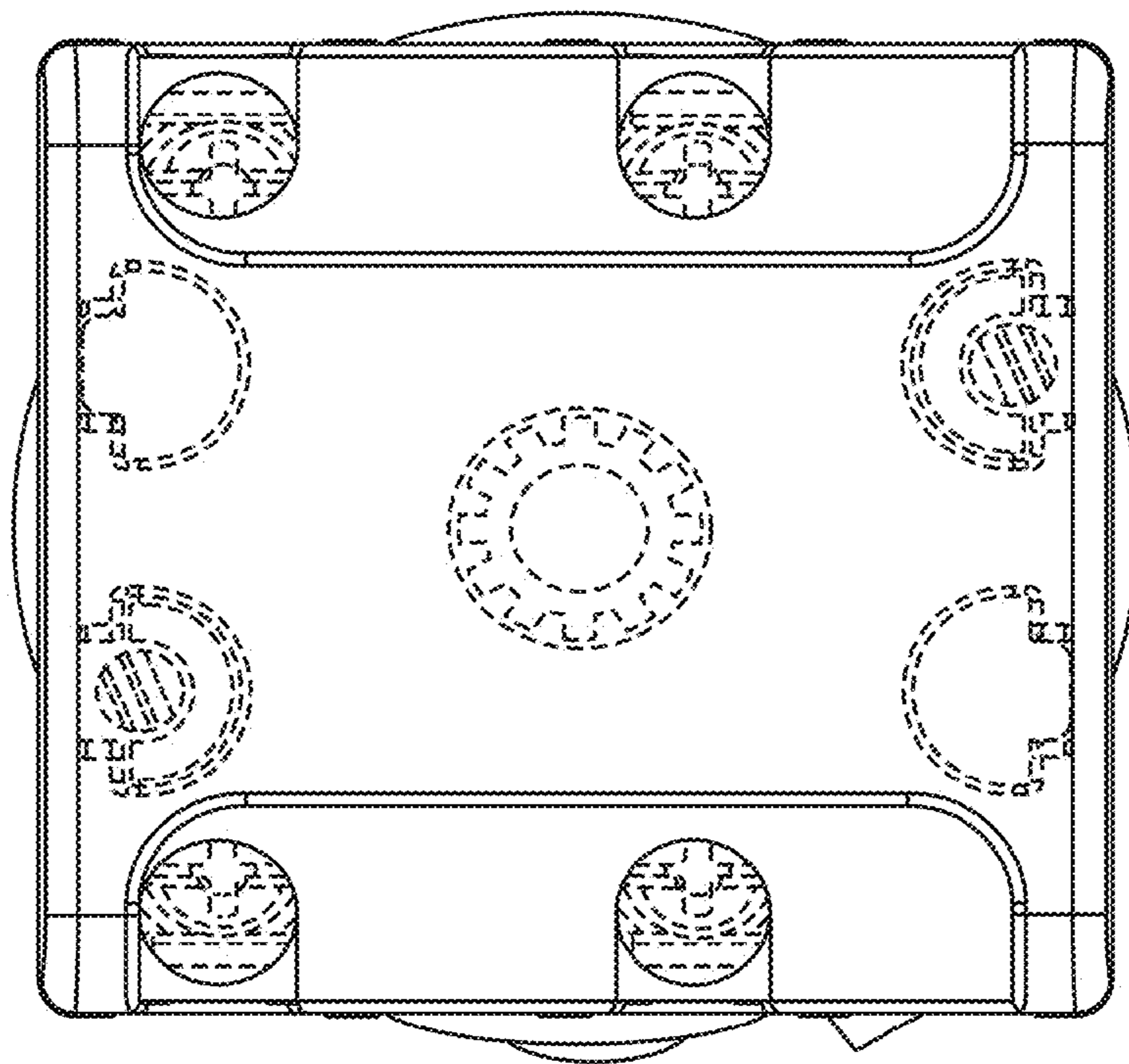


FIG. 3

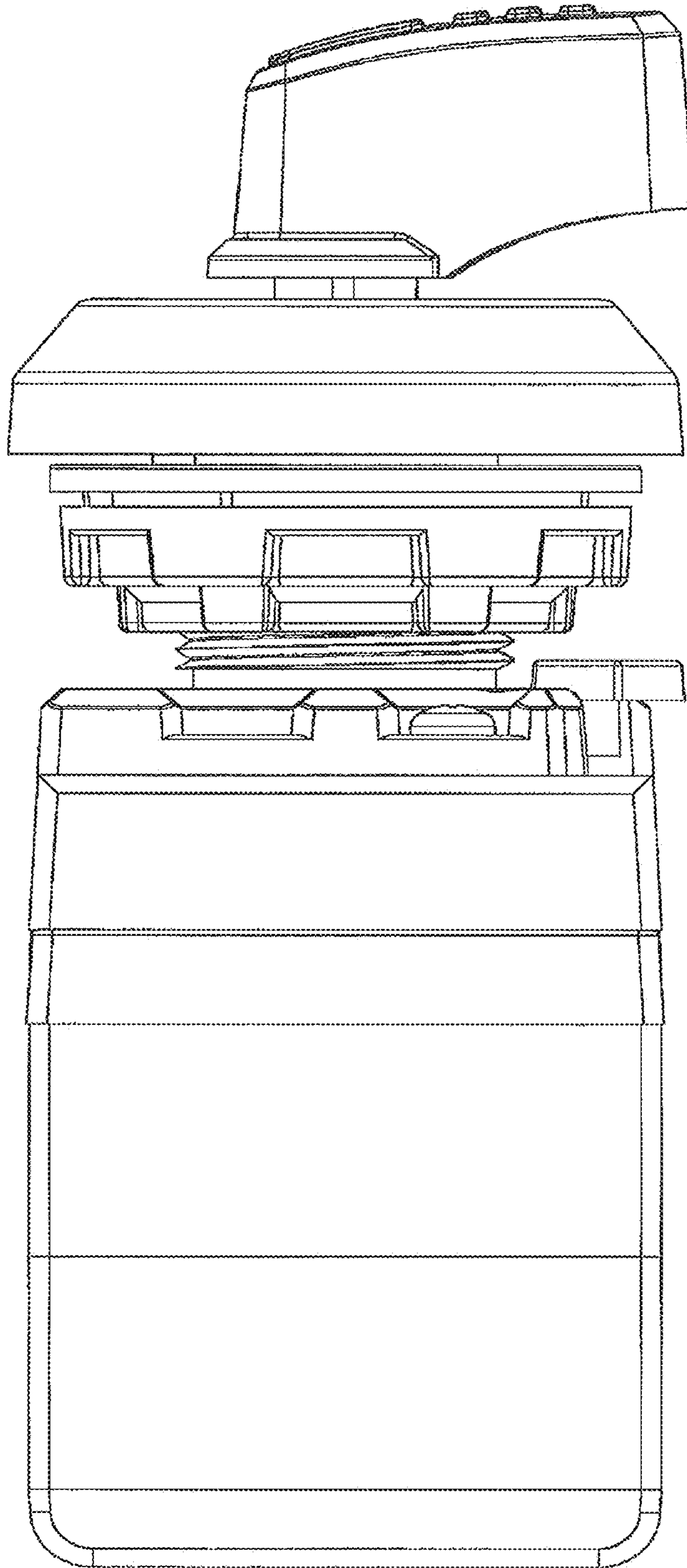


FIG. 4

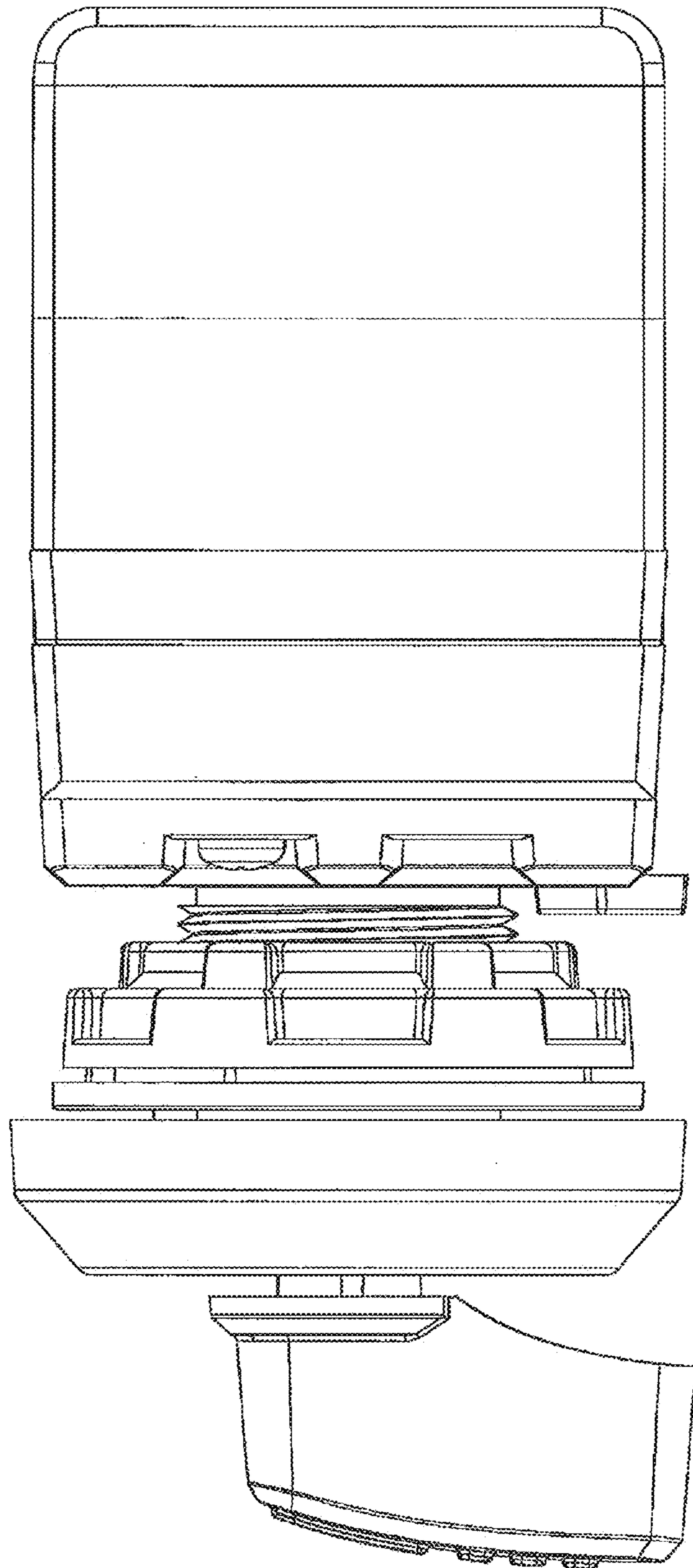


FIG. 5

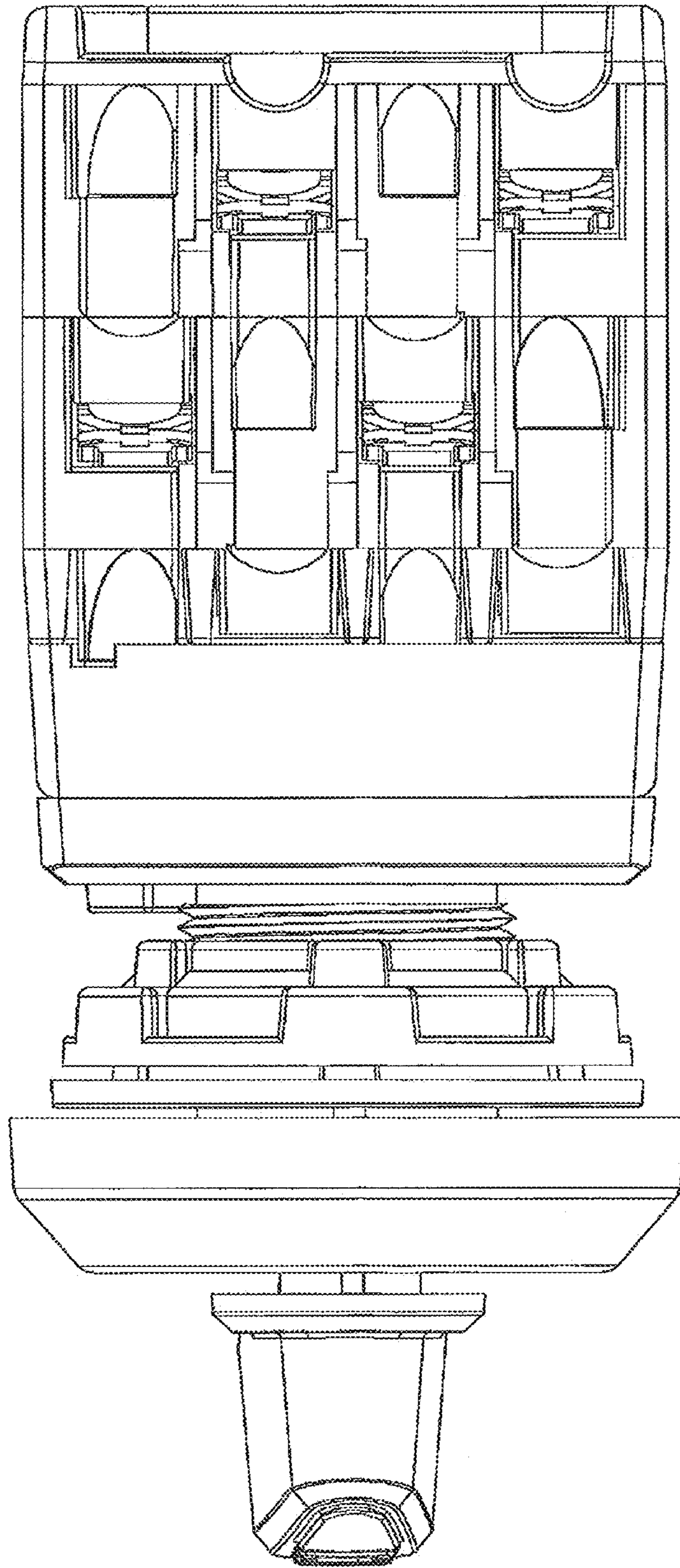


FIG. 6

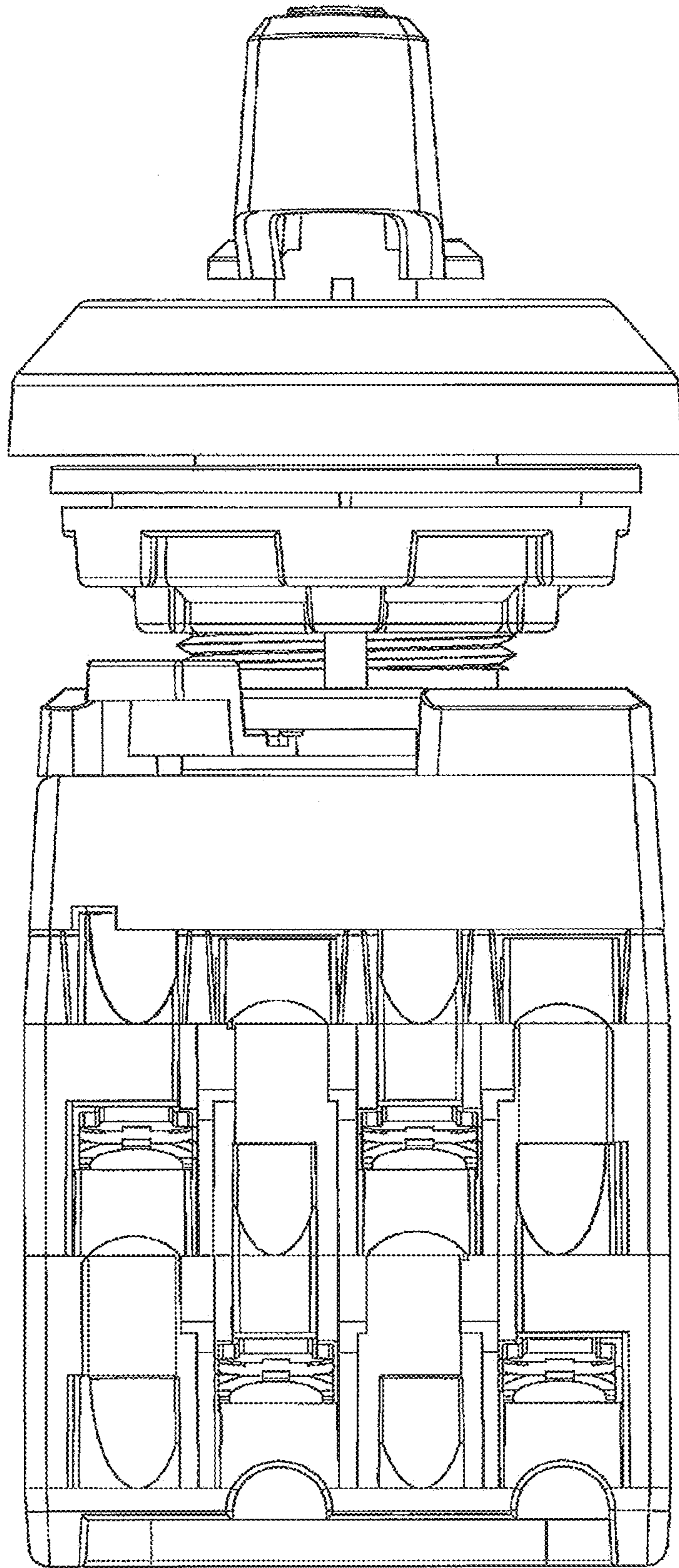


FIG. 7