

US00D756308S

(12) **United States Design Patent**
Valivainio et al.

(10) **Patent No.:** **US D756,308 S**

(45) **Date of Patent:** **** May 17, 2016**

(54) **SWITCH**

(71) Applicant: **ABB Oy**, Helsinki (FI)

(72) Inventors: **Mikko Valivainio**, Vaasa (FI); **Oskari Uitto**, Vaasa (FI); **Juha Soldan**, Vaasa (FI)

(73) Assignee: **ABB OY**, Helsinki (FI)

(**) Term: **14 Years**

(21) Appl. No.: **29/519,717**

(22) Filed: **Mar. 6, 2015**

Related U.S. Application Data

(62) Division of application No. 29/468,878, filed on Oct. 4, 2013, now Pat. No. Des. 731,440.

(30) **Foreign Application Priority Data**

May 15, 2013 (EM) 002237636
Aug. 15, 2013 (EM) 002292250

(51) **LOC (10) Cl.** **13-03**

(52) **U.S. Cl.**
USPC **D13/158**

(58) **Field of Classification Search**
USPC D13/110, 112, 123, 133, 146, 147,
D13/158-161, 171-174, 184, 199
CPC H05K 5/00; H02B 1/26; H01R 13/53;
H01H 19/58; H01H 21/58; H01H 9/00;
H01H 9/02; H01H 9/26; H01H 9/40; H01H
1/64; H01H 1/365; H01H 50/00; H01H 7/00;
H01H 1/20; H01H 1/2041; H01H 1/22

See application file for complete search history.

(56) **References Cited**

U.S. PATENT DOCUMENTS

D65,488 S	8/1924	Niola et al.	
D175,455 S	8/1955	Bartleman	
D213,963 S	4/1969	Dinkel	
D311,487 S	10/1990	Platt	
5,424,900 A	6/1995	Kiiskinen et al.	
D372,620 S	8/1996	Tisbo	
6,459,353 B1	10/2002	Mattlar et al.	
D575,631 S	8/2008	Huang	
7,741,572 B2	6/2010	Mattlar et al.	
D642,991 S	8/2011	Mattlar et al.	
D653,624 S	2/2012	Mattlar et al.	
D654,441 S	2/2012	Mattlar et al.	
D654,878 S *	2/2012	Mattlar	D13/158
D655,680 S	3/2012	Mattlar et al.	
D679,663 S	4/2013	Mattlar et al.	
D714,228 S	9/2014	Valivainio et al.	
D725,048 S *	3/2015	Valivainio	D13/158
D731,440 S *	6/2015	Valivainio	D13/158
2007/0188279 A1	8/2007	Kim	
2013/0001953 A1	1/2013	Brignoli et al.	

* cited by examiner

Primary Examiner — Thomas Johannes

Assistant Examiner — Shawn T Gingrich

(74) *Attorney, Agent, or Firm* — Buchanan, Ingersoll & Rooney PC

(57) **CLAIM**

The ornamental design for a switch, as shown and described.

DESCRIPTION

FIG. 1 is a front perspective view of a switch showing our new design.

FIG. 2 is a front elevational view thereof.

FIG. 3 is a left end elevational view thereof.

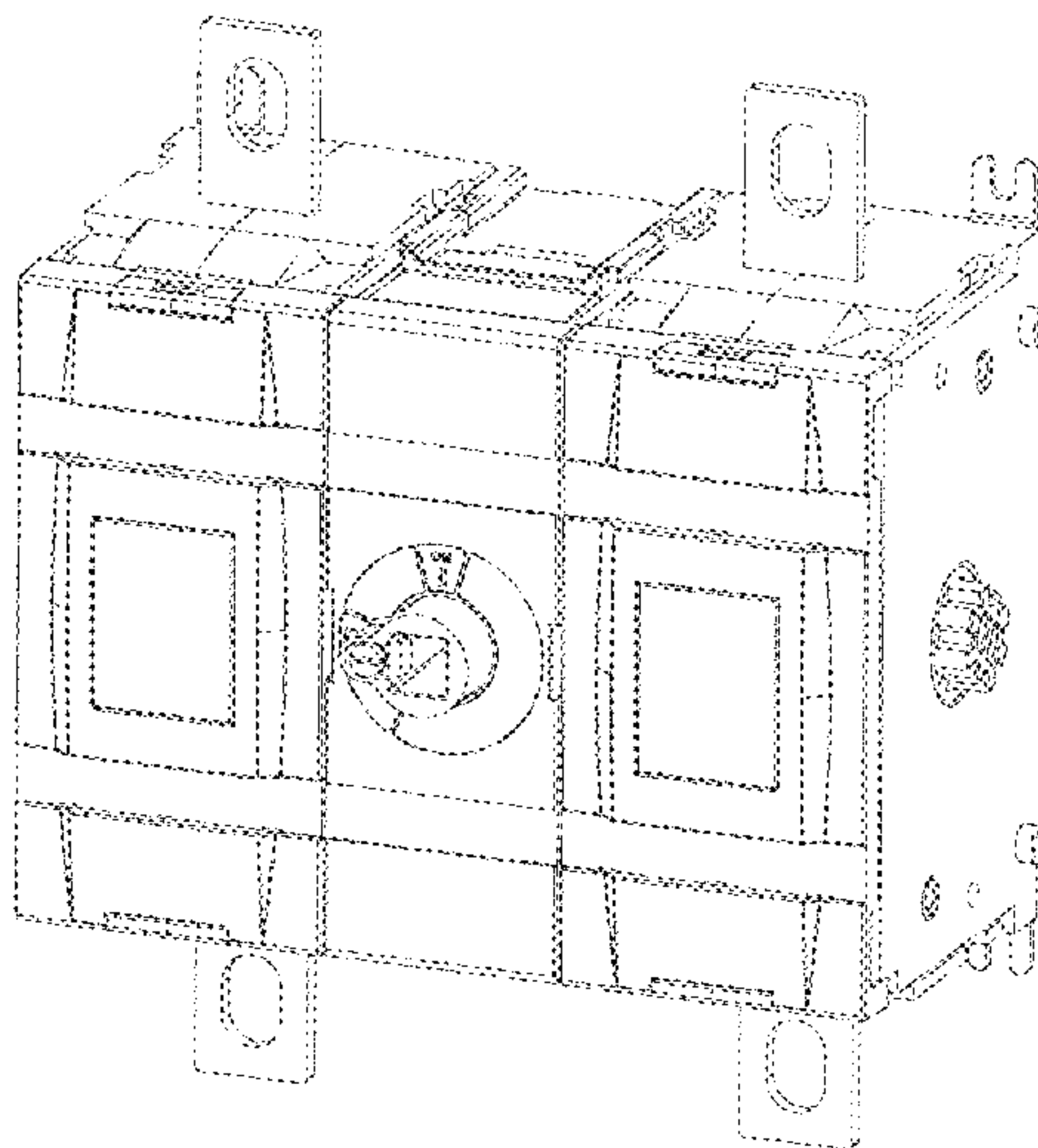
FIG. 4 is a right end elevational view thereof.

FIG. 5 is a top plan view thereof; and,

FIG. 6 is a bottom plan view thereof.

The broken line portion of the drawing figures is included to show portions of the article that form no part of the claimed design.

1 Claim, 5 Drawing Sheets



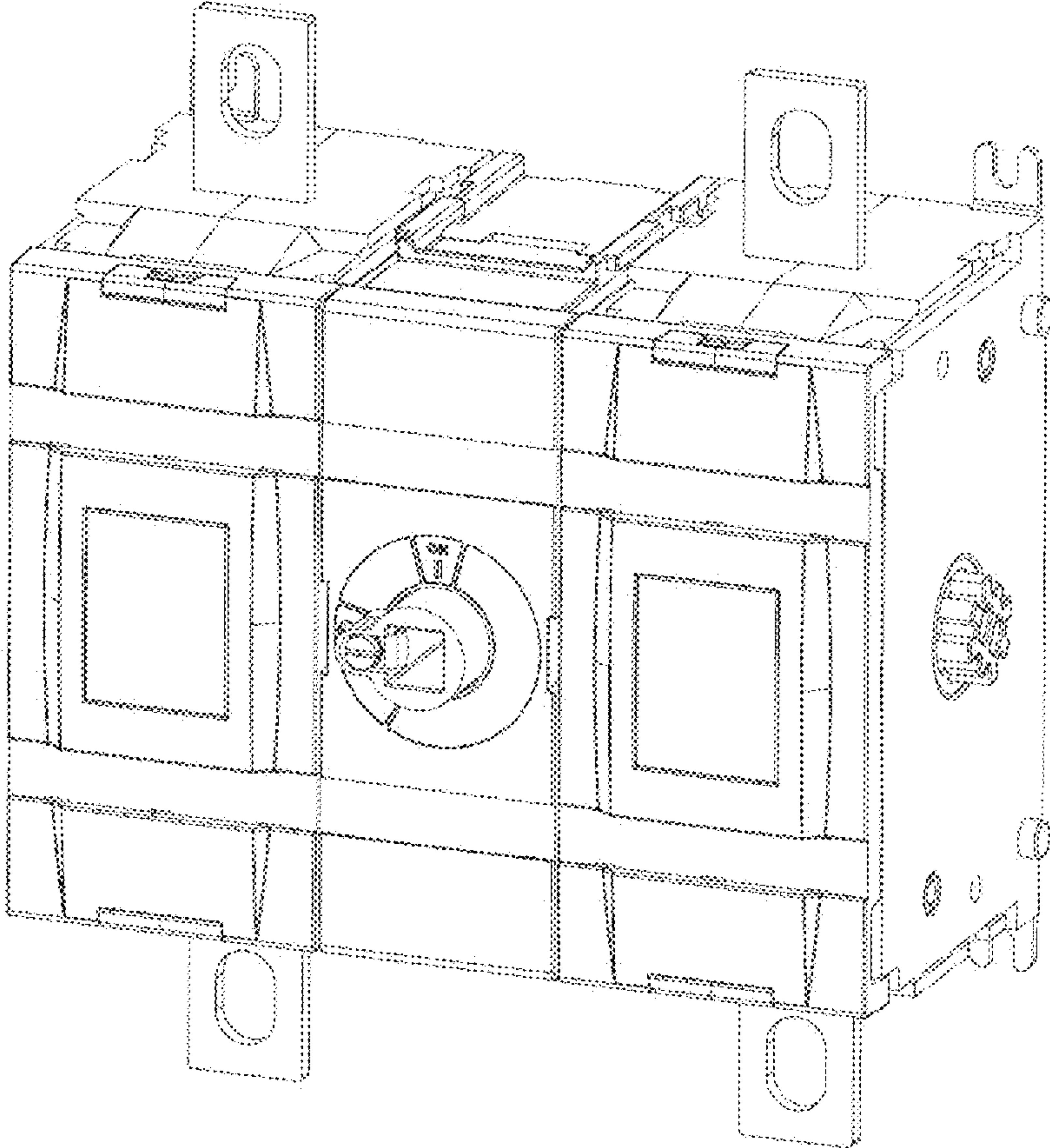


FIG. 1

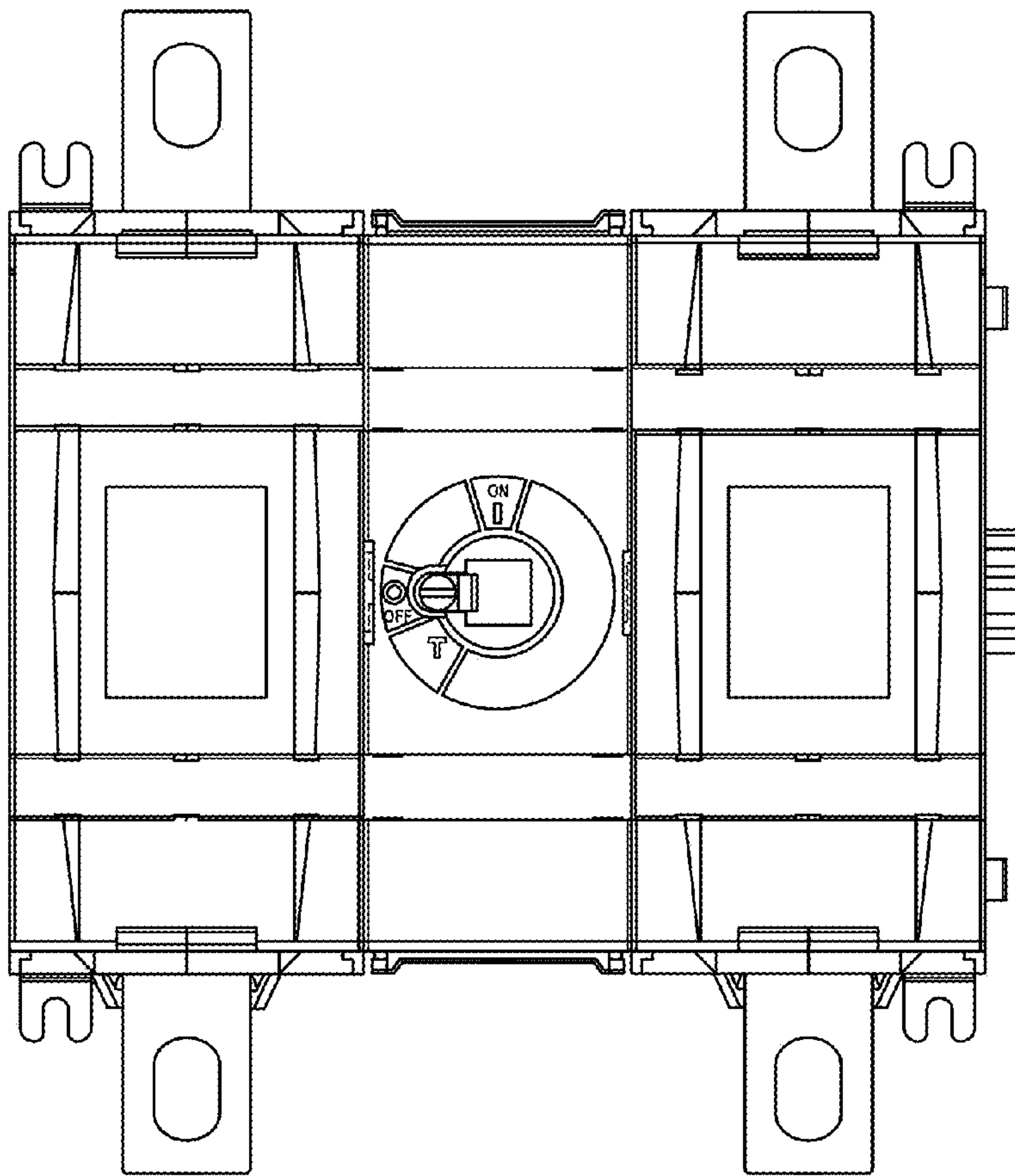


FIG. 2

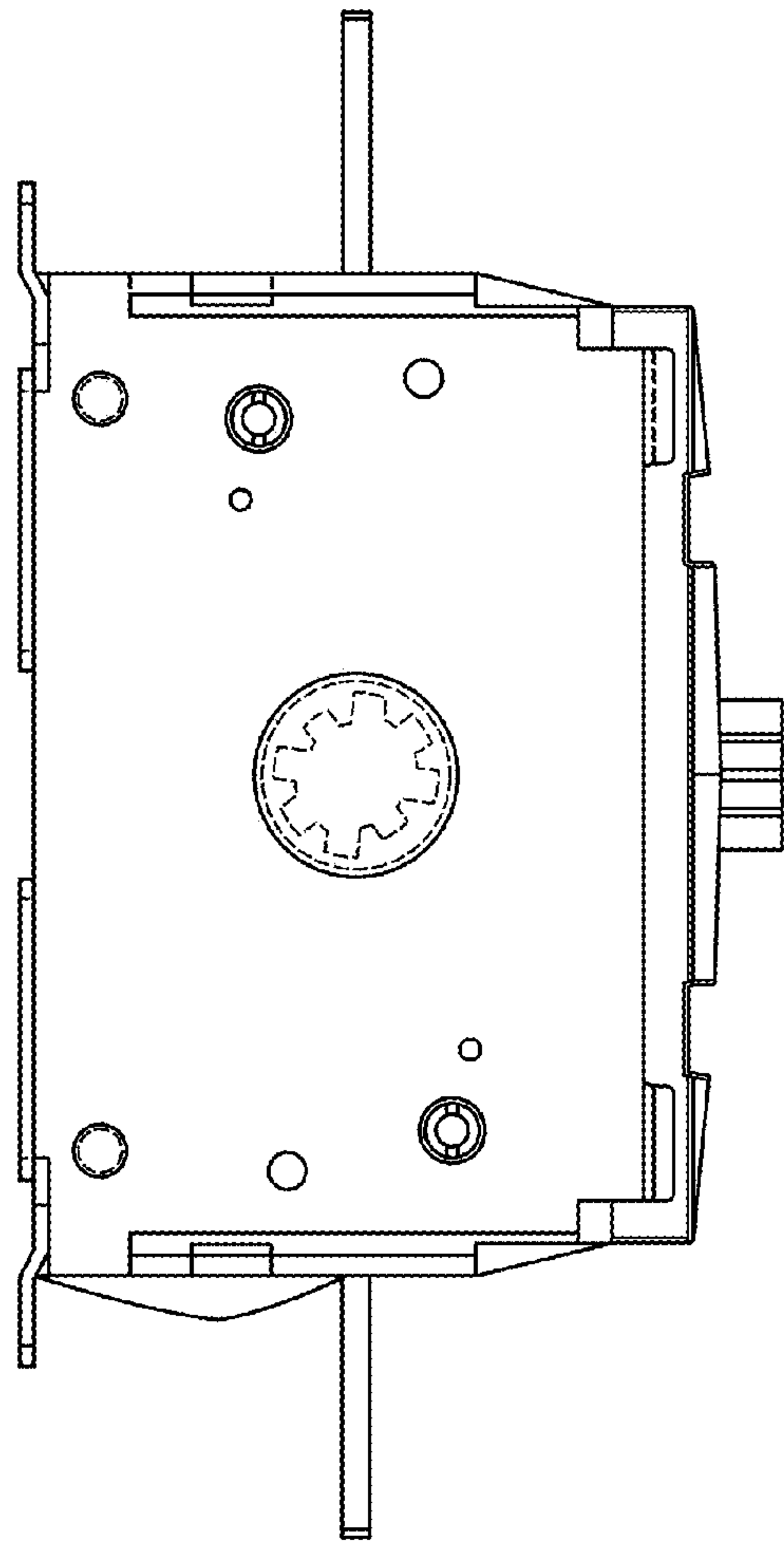


FIG. 3

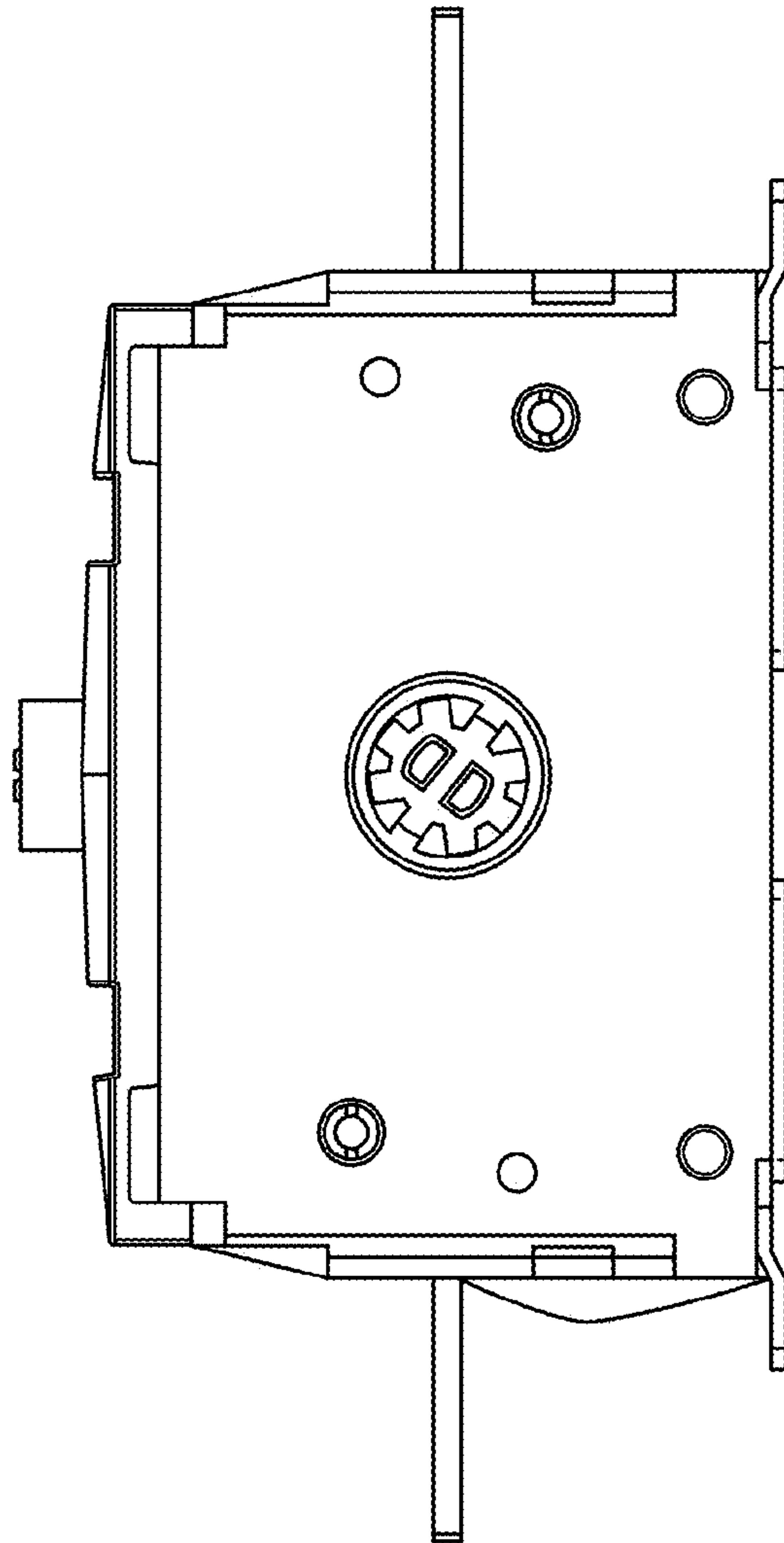


FIG. 4

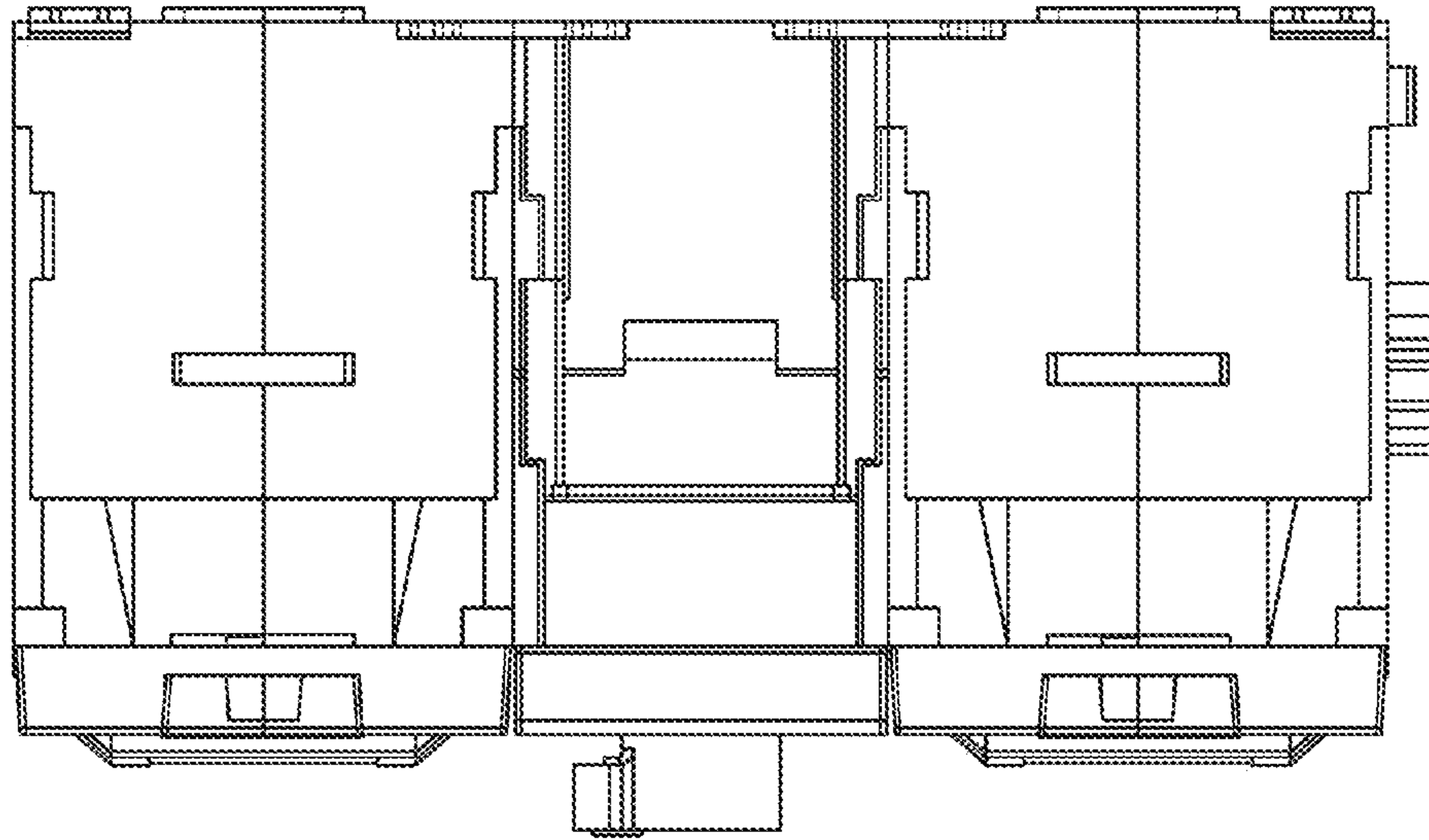


FIG. 5

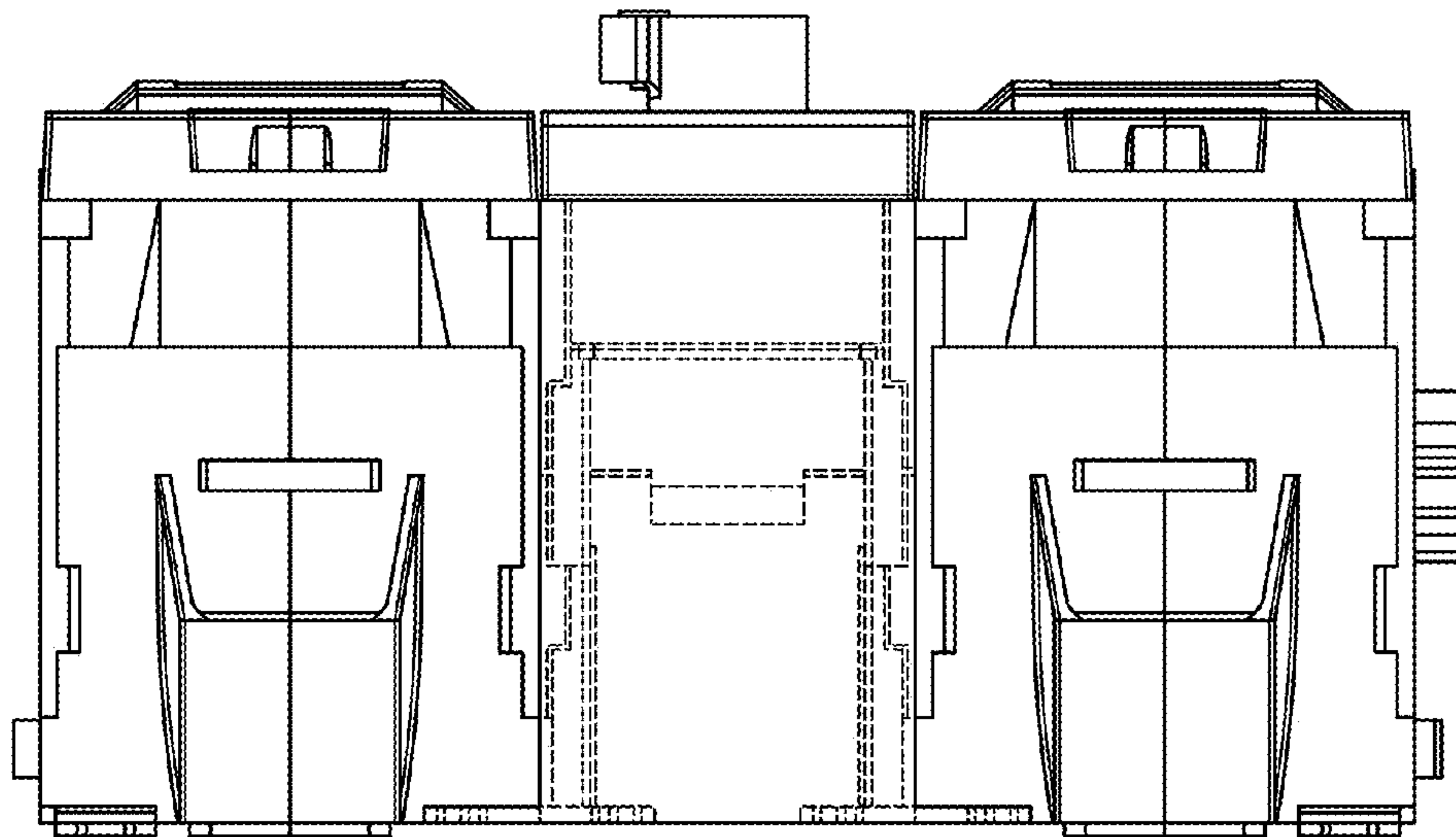


FIG. 6