



US00D756307S

(12) **United States Design Patent**
Ruddick

(10) **Patent No.:** **US D756,307 S**
(45) **Date of Patent:** **** May 17, 2016**

(54) **CABLE CONDUIT**

(71) Applicant: **D-Line (Europe) Limited**, Tyne and Wear (GB)

(72) Inventor: **Paul David Ruddick**, Tyne and Wear (GB)

(73) Assignee: **D-Line (Europe) Limited**, Tyne and Wear (GB)

(**) Term: **14 Years**

(21) Appl. No.: **29/484,019**

(22) Filed: **Mar. 5, 2014**

Related U.S. Application Data

(62) Division of application No. 29/398,404, filed on Jul. 29, 2011, now Pat. No. Des. 703,151.

(30) **Foreign Application Priority Data**

Feb. 4, 2011 (EM) 001816638-0001
Feb. 4, 2011 (EM) 001816638-0002
Feb. 4, 2011 (EM) 001816638-0003
Feb. 4, 2011 (EM) 001816638-0004
Feb. 4, 2011 (EM) 001816638-0005

(51) **LOC (10) Cl.** **13-03**

(52) **U.S. Cl.**
USPC **D13/155**

(58) **Field of Classification Search**
USPC D13/155, 123, 133, 153, 154, 156, 184, D13/199; D8/349, 354, 380; D23/259, 262; 138/156, 162; 174/68.1, 68.2, 68.3, 174/71 R, 72 C, 74 R, 481, 503, 504, 660, 174/665, 667, 668; 385/134, 136, 137; 403/83, 92, 403
CPC H02G 3/02; H02G 3/04; H02G 3/06; H02G 3/14; H02G 3/0418; H02G 3/045; H02G 3/0608; G02B 6/4459; F16L 3/22
See application file for complete search history.

(56) **References Cited**

U.S. PATENT DOCUMENTS

3,425,456 A 2/1969 Schibig
D304,904 S 12/1989 Kercher

(Continued)

FOREIGN PATENT DOCUMENTS

EM 000029814-0001 8/2003
EM 000029814-0002 8/2003

(Continued)

OTHER PUBLICATIONS

“Trunking Decorative Style—Quick to Fit, Looks Great!,” Dec. 2009 (12 pages).

(Continued)

Primary Examiner — Derrick Holland

(74) *Attorney, Agent, or Firm* — Sterne, Kessler, Goldstein & Fox P.L.L.C.

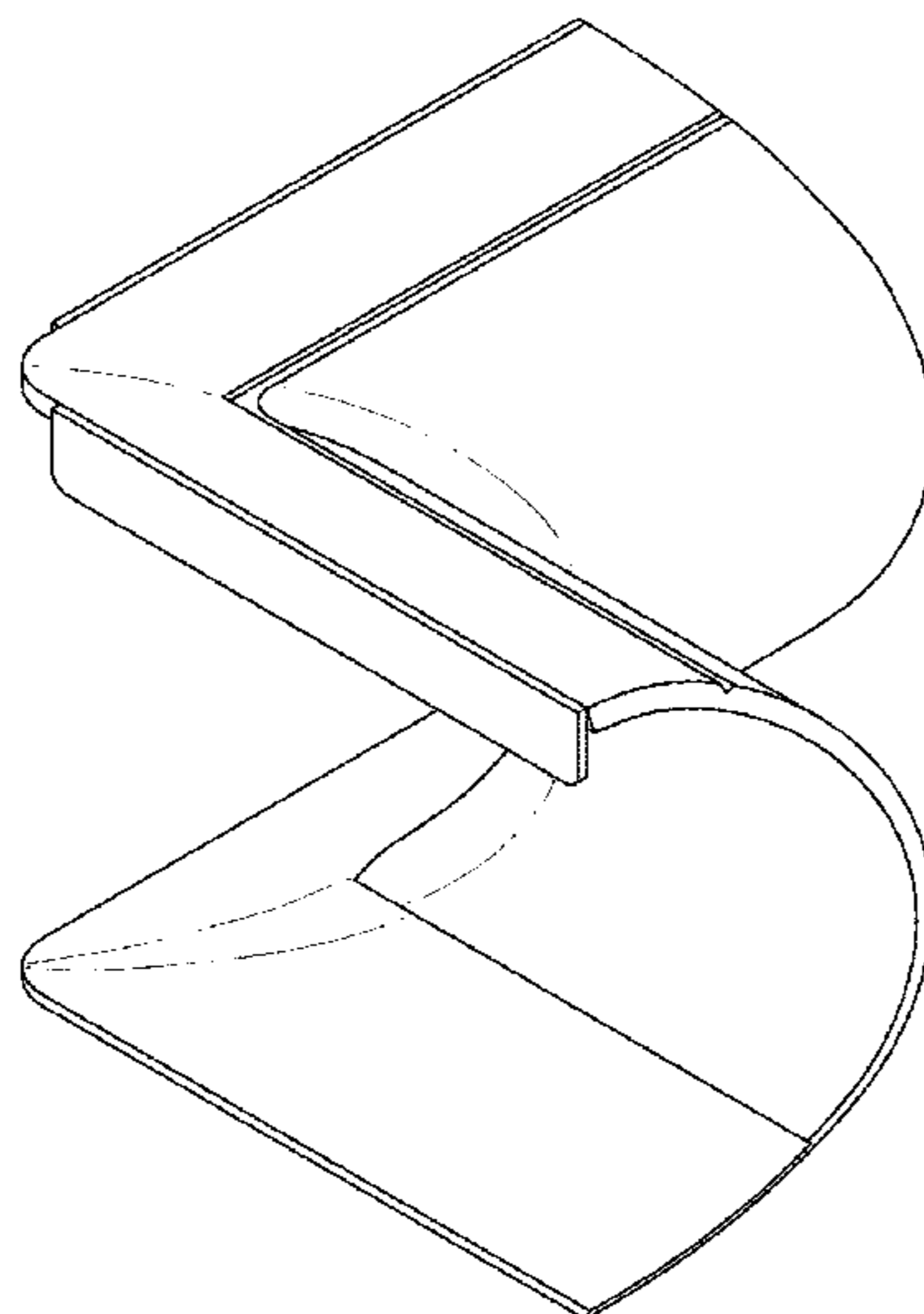
(57) **CLAIM**

The ornamental design for a cable conduit, as shown and described.

DESCRIPTION

FIG. 1 is a bottom plan view of a cable conduit showing my new design;
FIG. 2 is a side view thereof;
FIG. 3 is another side view thereof;
FIG. 4 is another side view thereof;
FIG. 5 is a another side view thereof;
FIG. 6 is a top perspective view thereof; and,
FIG. 7 is a top plan view thereof.

1 Claim, 7 Drawing Sheets



(56)

References Cited

FOREIGN PATENT DOCUMENTS

U.S. PATENT DOCUMENTS

4,951,716 A 8/1990 Tsunoda et al.
 5,336,849 A 8/1994 Whitney
 5,753,855 A 5/1998 Nicoli et al.
 D413,306 S 8/1999 Scherer et al.
 6,188,024 B1 * 2/2001 Benito-Navazo H02G 3/0608
 138/111
 D447,737 S 9/2001 Scherer et al.
 6,344,611 B2 * 2/2002 Ewer 174/488
 6,476,327 B1 * 11/2002 Bernard H02G 3/045
 174/101
 6,535,683 B1 3/2003 Johnson et al.
 6,625,373 B1 9/2003 Wentworth et al.
 D503,968 S 4/2005 Ruddick
 D503,969 S 4/2005 Ruddick
 6,874,969 B2 4/2005 Jadaud et al.
 D504,938 S 5/2005 Ruddick
 7,045,707 B1 * 5/2006 Galasso H02G 3/0608
 174/503
 D539,752 S 4/2007 Ruddick
 D541,143 S 4/2007 Ruddick
 D576,108 S * 9/2008 Sayres D13/155
 7,922,129 B2 * 4/2011 Rapp G02B 6/4459
 248/49
 7,964,804 B2 6/2011 Kaplan
 D669,035 S 10/2012 Ruddick
 D703,151 S 4/2014 Ruddick
 2002/0006312 A1 1/2002 Buard
 2005/0217883 A1 10/2005 Ewer et al.

EM 000109665-0001 3/2004
 EM 000109673-0001 3/2004
 EM 000109673-0002 3/2004
 EM 000109673-0003 3/2004
 EM 000109673-0004 3/2004
 EM 000109673-0005 3/2004
 EM 000109673-0006 3/2004
 EM 000109673-0007 3/2004
 EM 000109673-0008 3/2004
 EM 000151873-0001 6/2004
 EM 000139985-0001 7/2004
 EM 000139985-0002 7/2004
 EM 000139985-0003 7/2004
 EM 000281274-0001 3/2005
 EM 000281274-0002 3/2005
 EM 000281274-0003 3/2005
 EM 000281274-0004 3/2005
 EM 000281274-0005 3/2005
 EM 000281274-0006 3/2005
 EM 000379946-0001 9/2005
 EM 000379946-0002 9/2005
 EM 000379946-0003 9/2005
 EM 000379946-0004 9/2005
 EM 001680091-0001 3/2010
 EM 001680091-0002 3/2010
 EM 001680091-0003 3/2010
 EM 001680091-0004 3/2010

OTHER PUBLICATIONS

U.S. Appl. No. 29/466,905, filed Sep. 12, 2013.

* cited by examiner

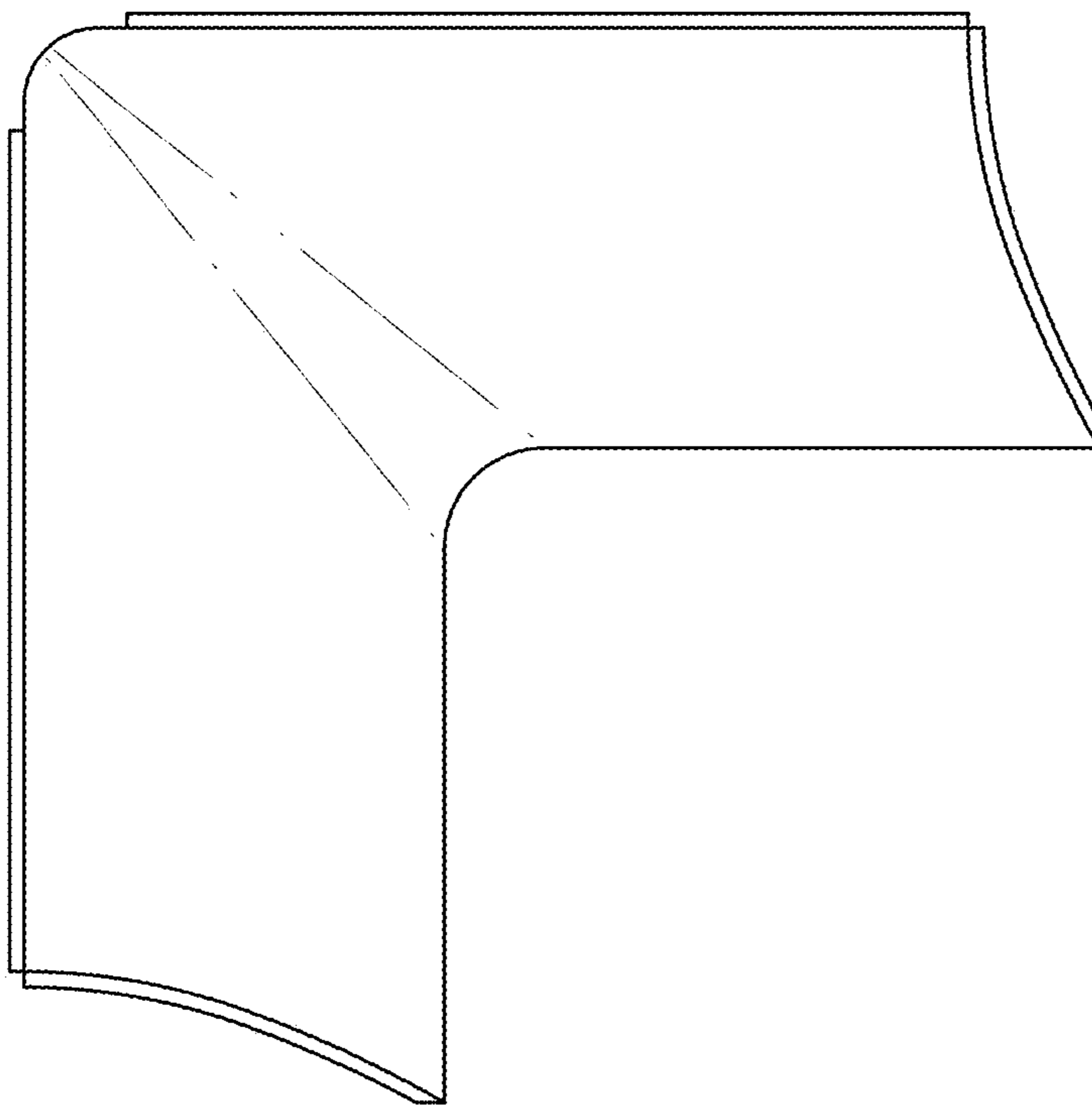


FIG. 1

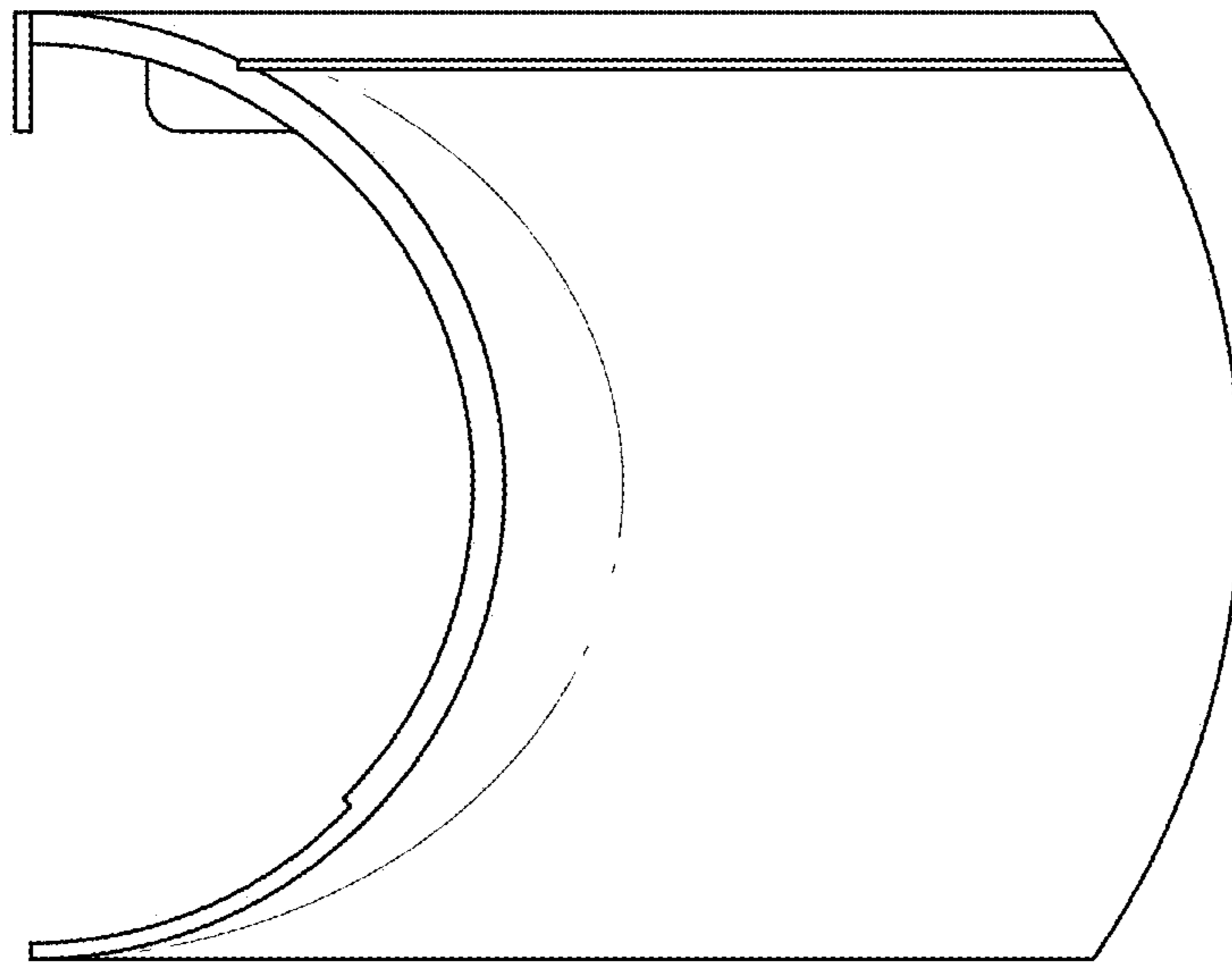


FIG. 2

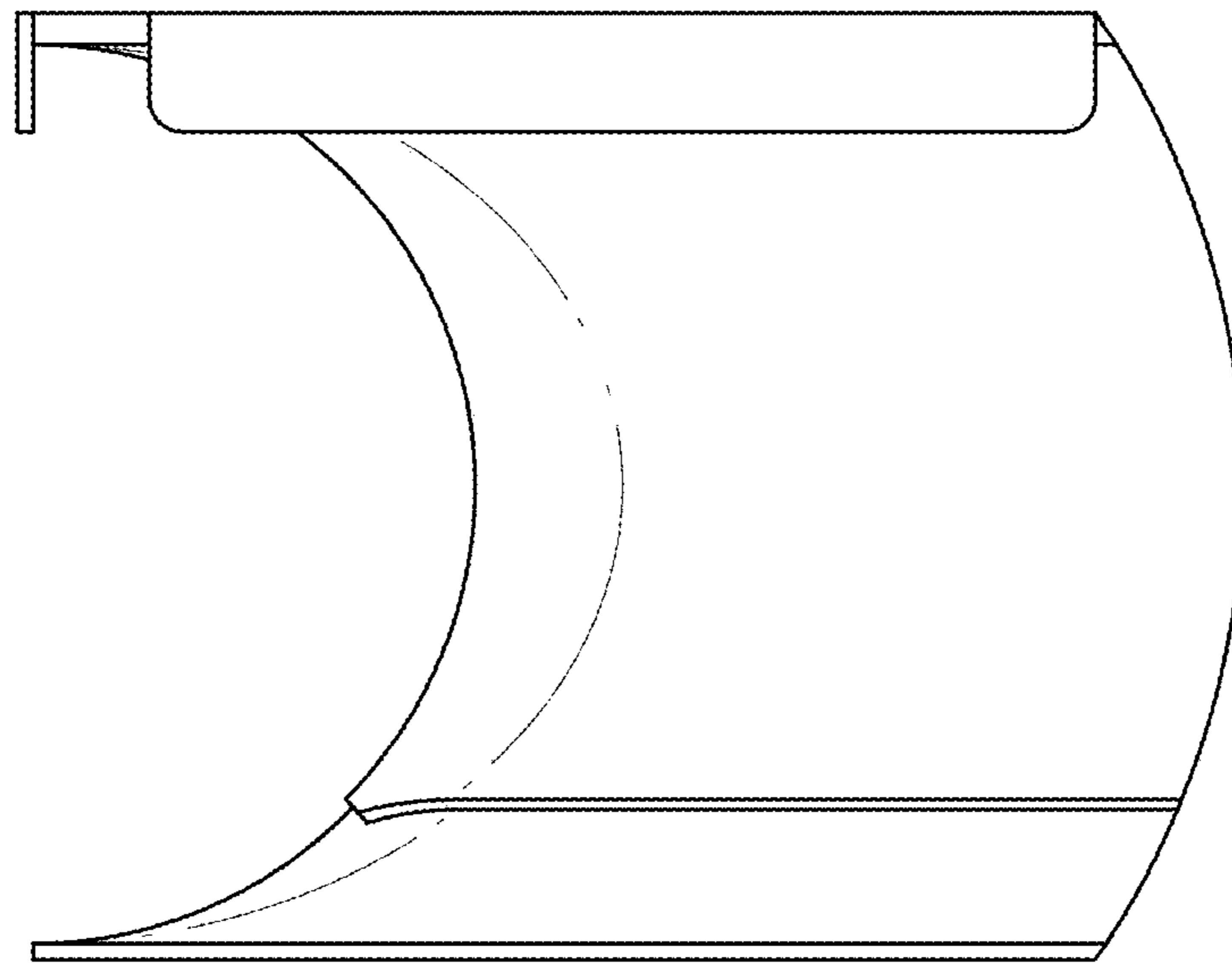


FIG. 3

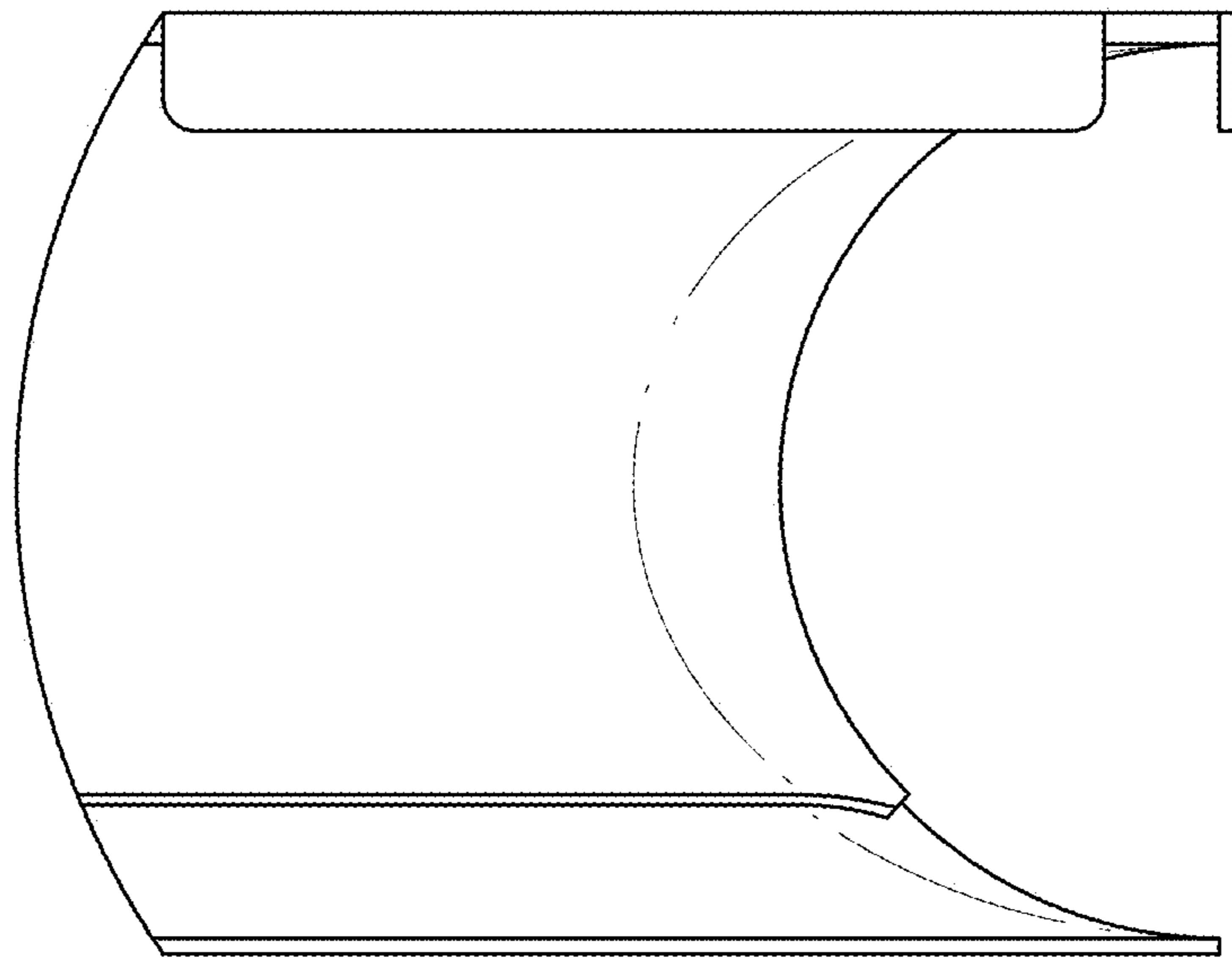


FIG. 4

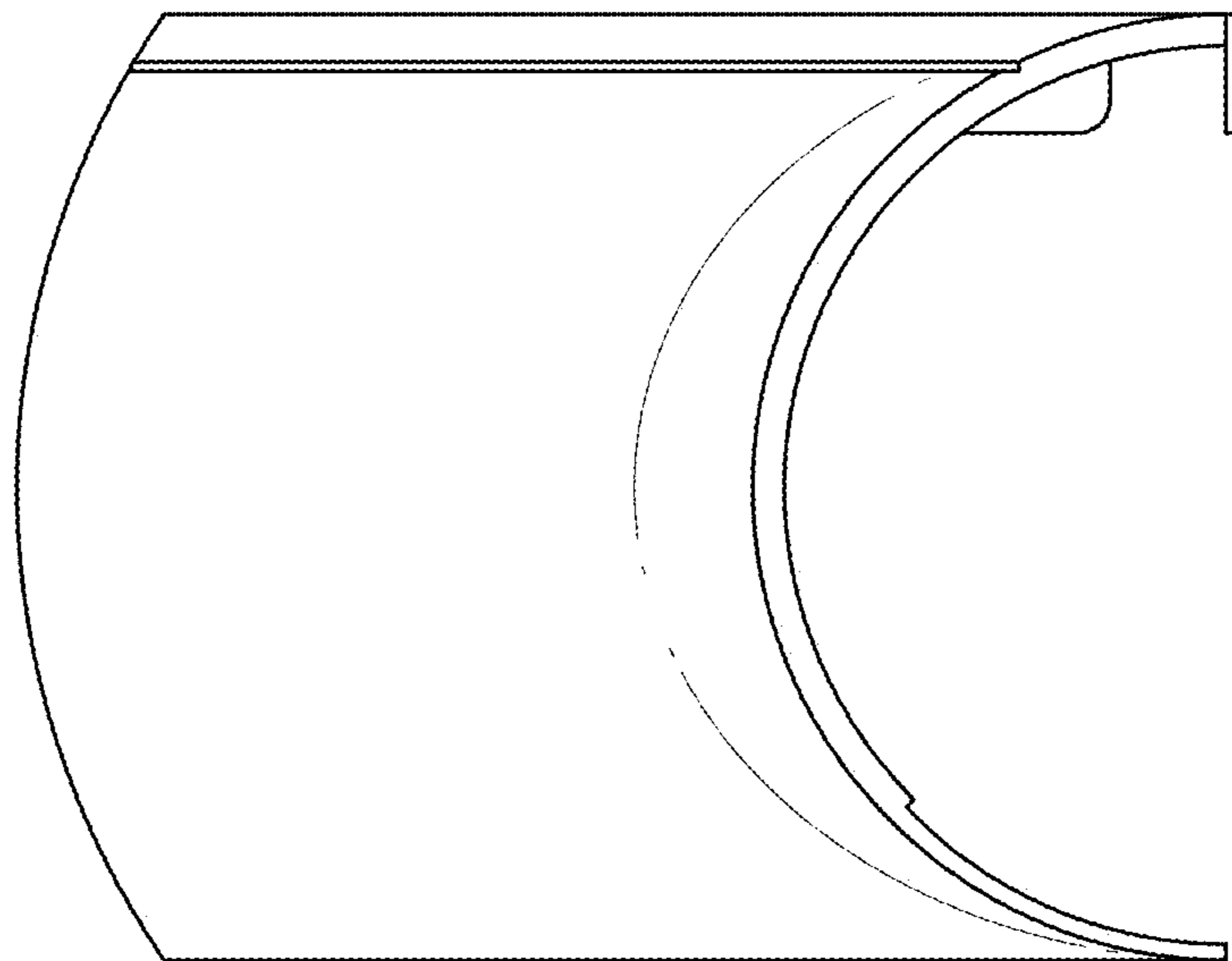


FIG. 5

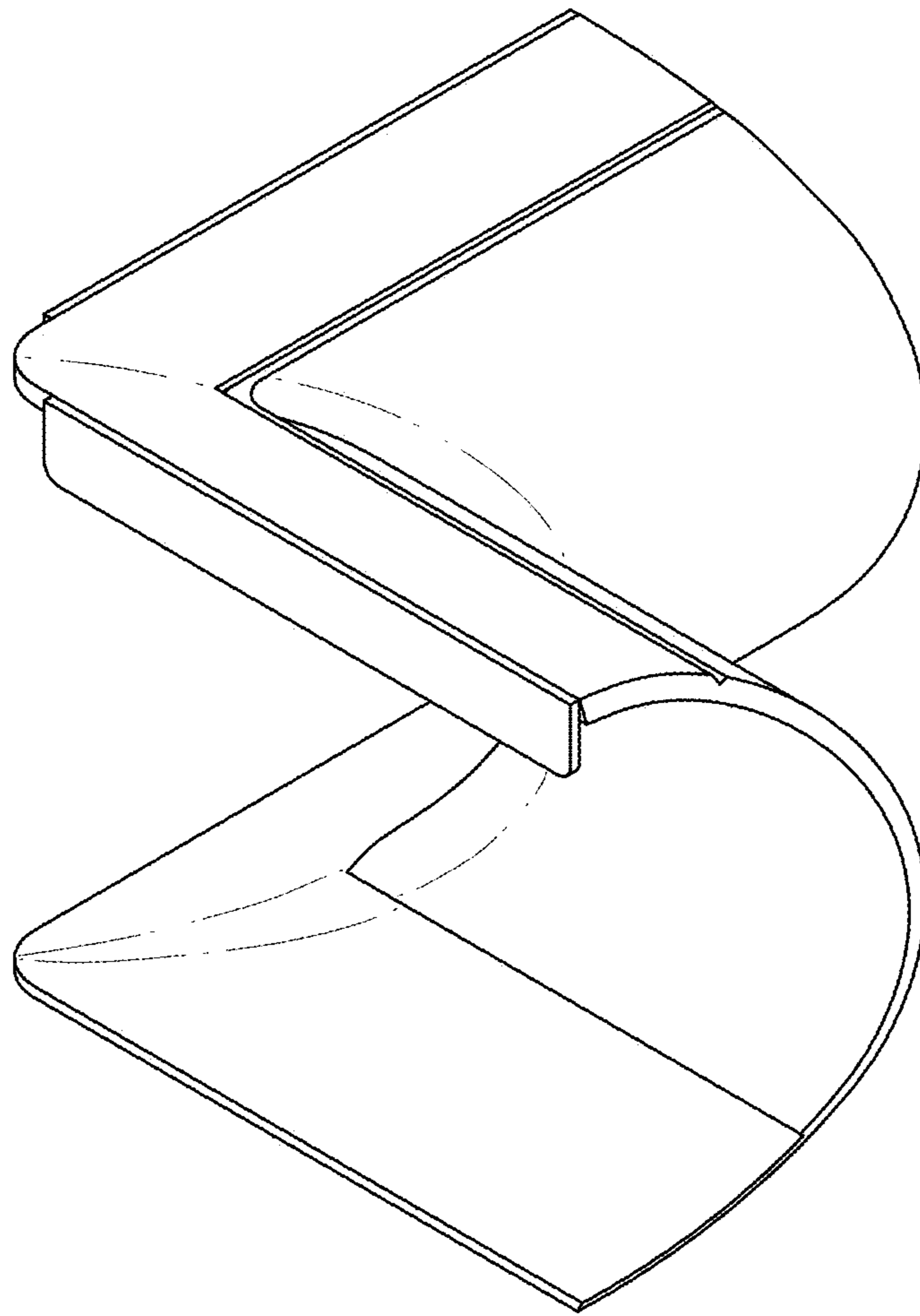


FIG. 6

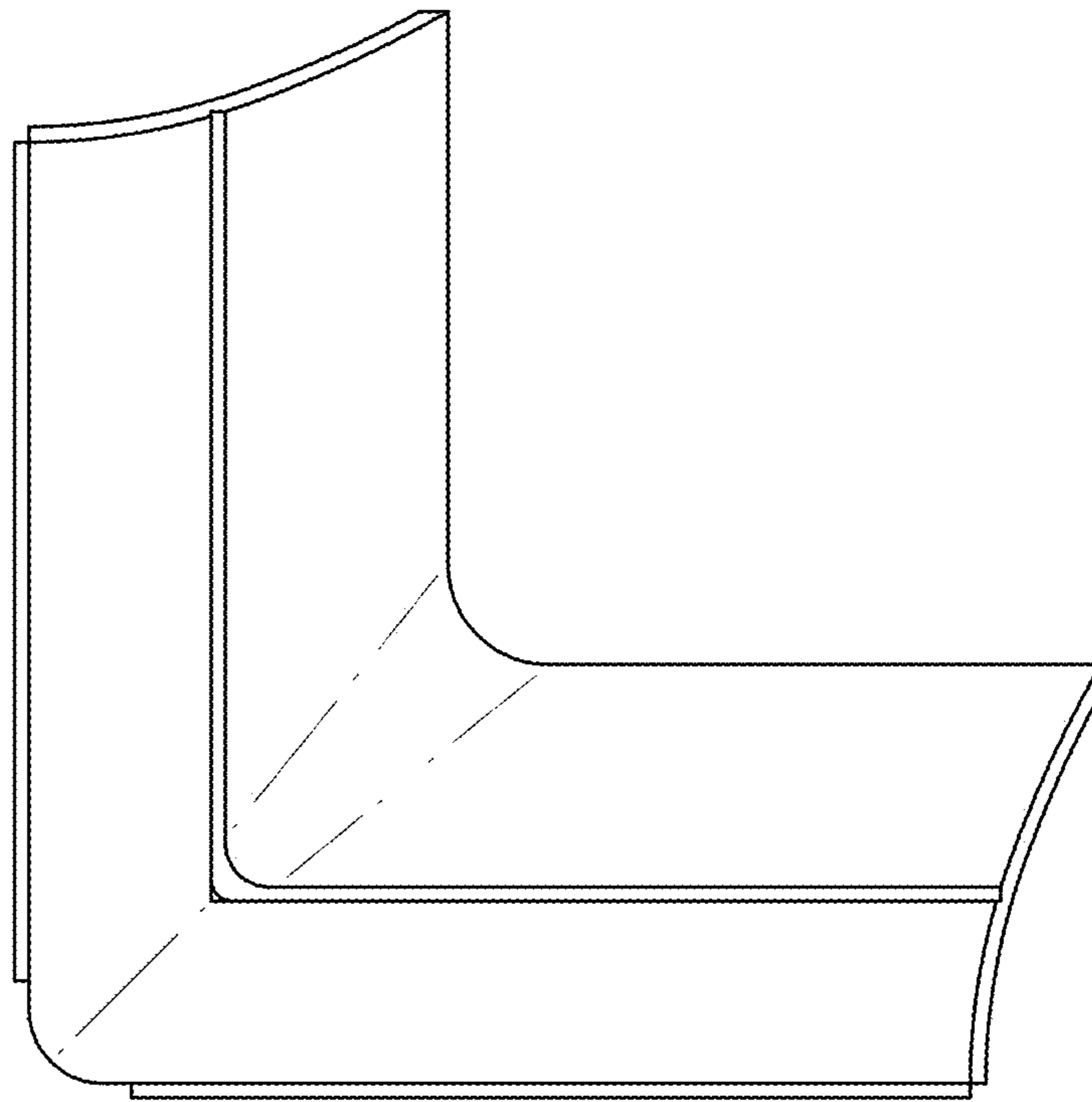


FIG. 7