

US00D756306S

(12) **United States Design Patent**  
**Aoki**

(10) **Patent No.:** **US D756,306 S**  
(45) **Date of Patent:** **\*\* May 17, 2016**

(54) **ADAPTOR FOR CONNECTING A FLAT  
CIRCUIT DEVICE TO AN ELECTRICAL  
CONNECTOR**

(71) Applicant: **DAI-ICHI SEIKO CO., LTD.**, Kyoto  
(JP)

(72) Inventor: **Hideki Aoki**, Ogoori (JP)

(73) Assignee: **DAI-ICHI SEIKO CO., LTD.**, Kyoto  
(JP)

(\*\*) Term: **14 Years**

(21) Appl. No.: **29/515,378**

(22) Filed: **Jan. 22, 2015**

(30) **Foreign Application Priority Data**

Jul. 23, 2014 (JP) ..... 2014-015924

(51) **LOC (10) Cl.** ..... **13-03**

(52) **U.S. Cl.**  
USPC ..... **D13/154**

(58) **Field of Classification Search**

USPC ..... D13/146, 147, 149, 153, 154, 155, 156,  
D13/157, 158, 160, 173, 184, 199; 439/79,  
439/83, 108, 701, 62, 74, 190, 207; 174/19,  
174/21 R, 21 JS, 24, 66, 67, 652, 668, 659,  
174/656, 654; 361/679.31, 801  
CPC ..... H02G 3/14; H02G 3/08; H02G 3/04;  
H02G 5/00; H02G 5/02; H02G 5/04; H02G  
5/08; H02G 5/10; H05K 7/1405; H05K  
7/1402

See application file for complete search history.

(56) **References Cited**

**U.S. PATENT DOCUMENTS**

D213,783 S \* 4/1969 Laybourn et al. .... D14/435  
D409,160 S \* 5/1999 Sonntag ..... D13/184  
6,210,203 B1 \* 4/2001 Ma ..... H05K 7/1431  
439/374  
D442,568 S \* 5/2001 Masuo ..... D13/182

6,319,037 B1 \* 11/2001 Lai ..... H01R 12/7005  
361/801  
6,619,973 B2 \* 9/2003 Perino ..... H01R 12/7005  
439/327  
D567,775 S \* 4/2008 Simon ..... D13/184  
D568,840 S \* 5/2008 Hsu ..... D13/184  
8,570,731 B2 \* 10/2013 Zhang ..... H01R 12/7058  
361/679.31

(Continued)

**FOREIGN PATENT DOCUMENTS**

JP D1344944 S 10/2008  
JP D1351217 S 1/2009

(Continued)

*Primary Examiner* — Ian Simmons

*Assistant Examiner* — Harold Blackwell, II

(74) *Attorney, Agent, or Firm* — Studebaker & Brackett PC

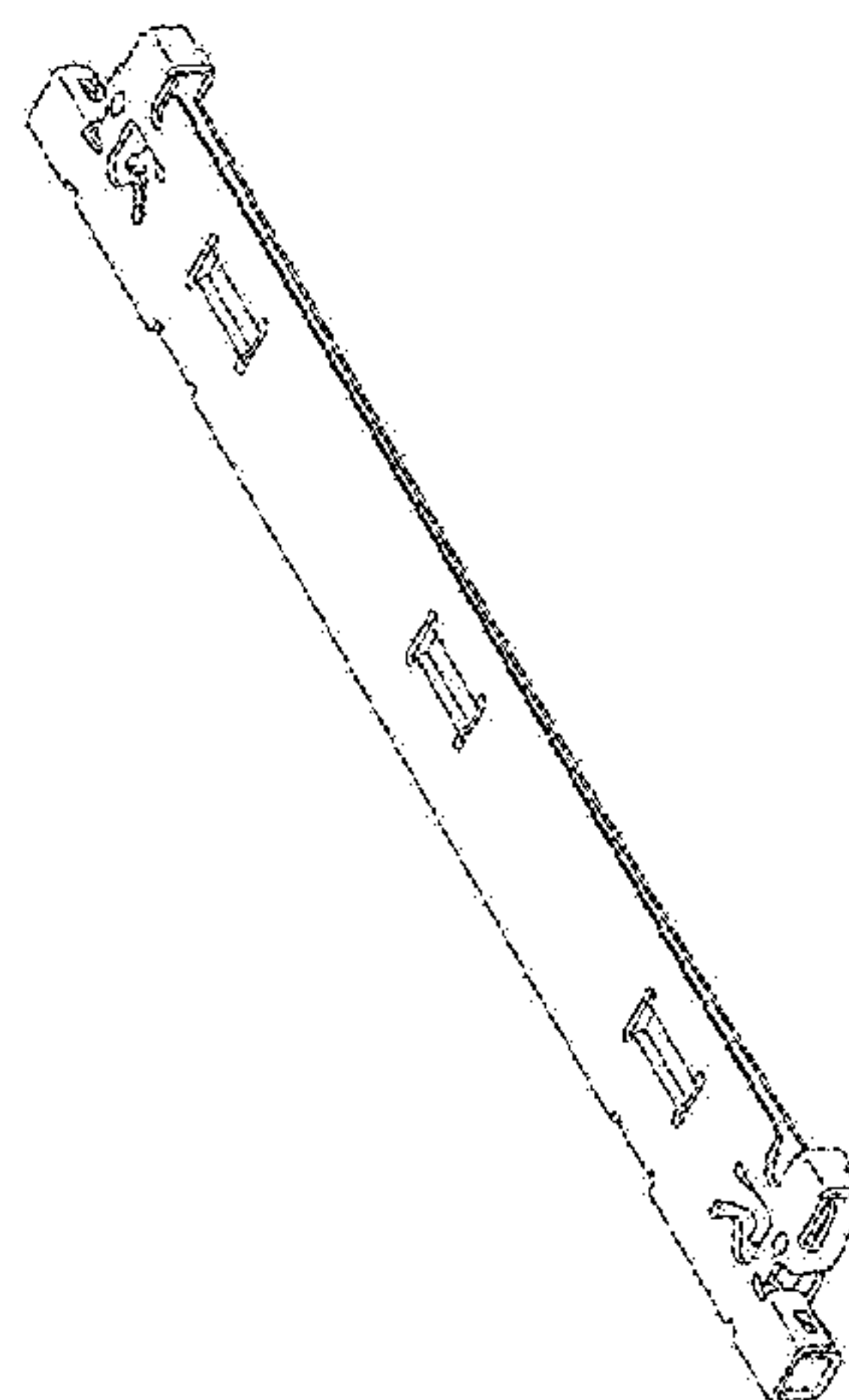
(57) **CLAIM**

The ornamental design for an adaptor for connecting a flat circuit device to an electrical connector, as shown and described.

**DESCRIPTION**

FIG. 1 is a front, top and left side perspective view of an adaptor for connecting a flat circuit device to an electrical coaxial, which shows my new design;  
FIG. 2 is a front, bottom and left side perspective view thereof;  
FIG. 3 is a top plan view thereof;  
FIG. 4 is a bottom plan view thereof;  
FIG. 5 is a front view thereof;  
FIG. 6 is a rear view thereof;  
FIG. 7 is a right side view thereof, the left side view is a mirror image thereof; and,  
FIG. 8 is a reference front, top and left side perspective view of the adaptor put in practical use.  
The broken lines in the FIGS. 1-7 illustrate portions of the adaptor for connecting a flat circuit device to an electrical connector which form no part of the claimed design. The broken line portions shown in FIG. 8 illustrates environmental subject matter only and form no part of the claimed design.

**1 Claim, 8 Drawing Sheets**



(56)

**References Cited**

U.S. PATENT DOCUMENTS

9,172,164 B2 \* 10/2015 Tang ..... H01R 12/721  
D747,281 S \* 1/2016 Andresen ..... D13/199  
2006/0018086 A1 \* 1/2006 Liu ..... G06F 1/184  
396/679.41  
2006/0264096 A1 \* 11/2006 Johnson ..... G01R 1/0416  
439/566  
2014/0357108 A1 \* 12/2014 Aoki ..... H01R 12/772  
439/329

2014/0357123 A1\* 12/2014 Aoki ..... H01R 13/6581  
439/607.55

FOREIGN PATENT DOCUMENTS

JP D1355630 S 3/2009  
JP D1385597 S 3/2010  
JP D1407136 S 1/2011

\* cited by examiner

FIG. 1

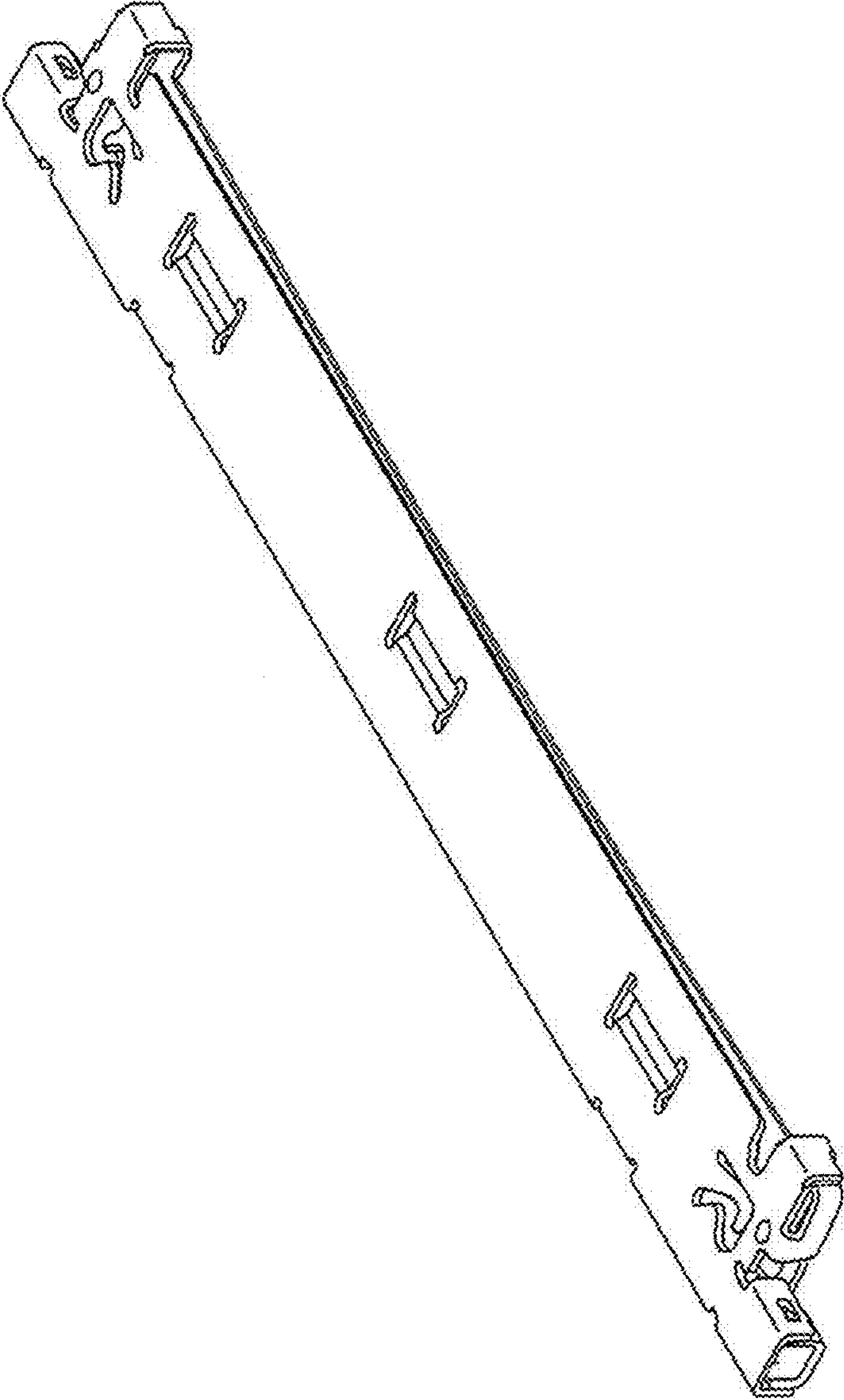


FIG. 2

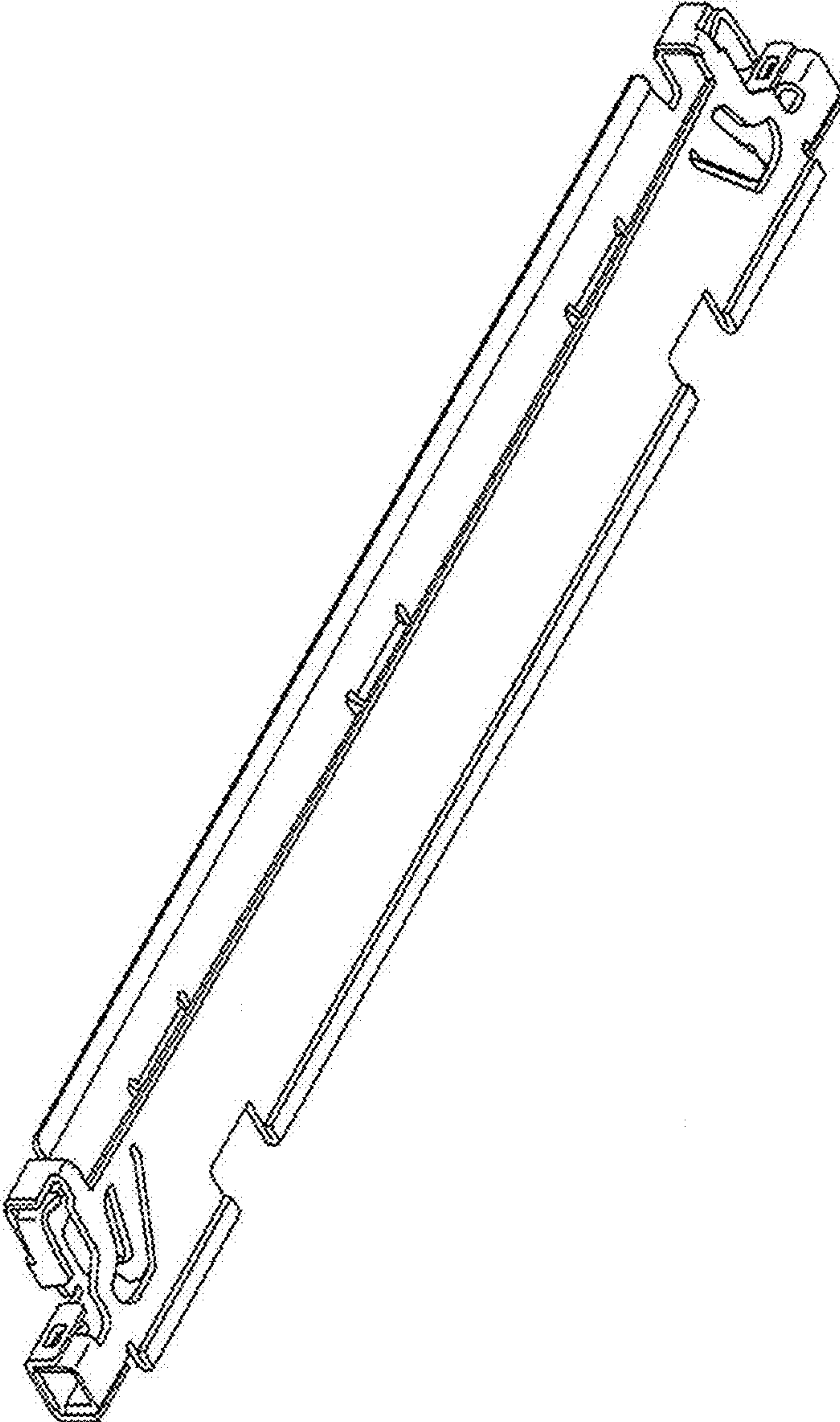


FIG. 3

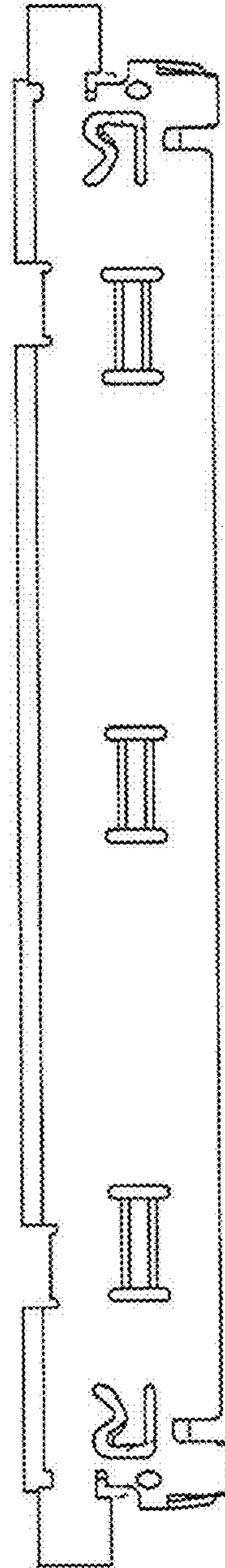


FIG. 4

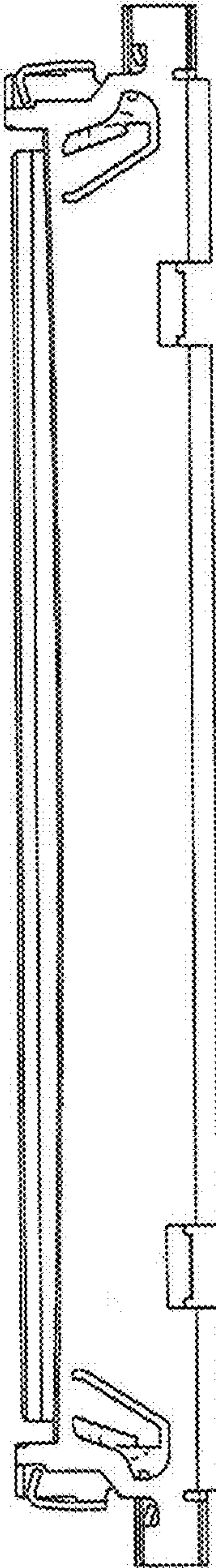




FIG. 5



FIG. 6





FIG. 7

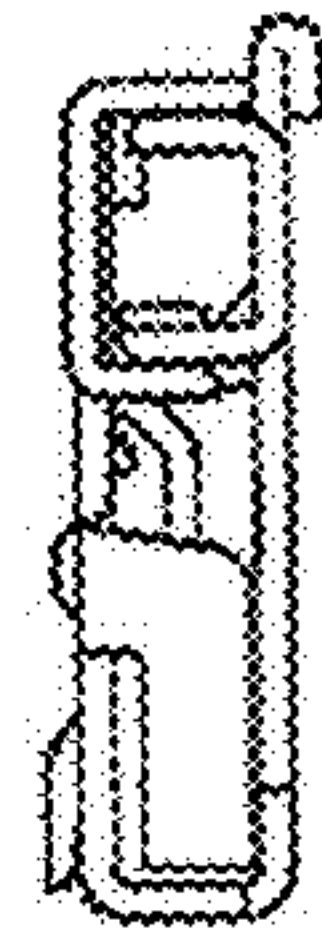


FIG. 8

