



US00D756303S

(12) **United States Design Patent**
Kellenberger et al.

(10) **Patent No.:** **US D756,303 S**
(45) **Date of Patent:** **** May 17, 2016**

- (54) **NETWORK ACCESS AC PLUG**
- (71) Applicants: **Roger Kellenberger**, Hong Kong Island (HK); **Stefan Ripperger**, Hong Kong Island (HK)
- (72) Inventors: **Roger Kellenberger**, Hong Kong Island (HK); **Stefan Ripperger**, Hong Kong Island (HK)
- (73) Assignee: **SDI TECHNOLOGIES, INC.**, Rahway, NJ (US)
- (**) Term: **14 Years**
- (21) Appl. No.: **29/501,836**
- (22) Filed: **Sep. 9, 2014**
- (51) **LOC (10) Cl.** **13-03**
- (52) **U.S. Cl.**
USPC **D13/137.1**
- (58) **Field of Classification Search**
USPC D13/137.1–137.4, 138.1–138.2, D13/139.1–139.8, 110, 152; D24/186; 363/143, 146; 439/131
CPC ... H01R 13/6675; H01R 13/44; H01R 31/065
See application file for complete search history.

D695,693	S	*	12/2013	Lee	D13/152
D699,183	S	*	2/2014	Zaslavsky	D13/110
D700,579	S	*	3/2014	Mobbs	D13/137.1
D700,892	S	*	3/2014	Segnit	D13/137.2
D712,829	S	*	9/2014	Huang	D13/110
D713,788	S	*	9/2014	Hasegawa	D13/110
D731,430	S	*	6/2015	Segnit	D13/137.2
D731,970	S	*	6/2015	Kamath	D13/110
D742,315	S	*	11/2015	Dang	D13/110
2004/0218411	A1	*	11/2004	Luu	H01R 31/065 363/146

* cited by examiner

Primary Examiner — Holly Baynham

Assistant Examiner — Rhea Shields

(74) *Attorney, Agent, or Firm* — Ostrolenk Faber LLP

(57) **CLAIM**

The ornamental design for a network access AC plug, as shown and described.

DESCRIPTION

FIG. 1 is a front, top, right side, perspective view of a network access AC plug showing an embodiment of our new design; FIG. 2 is a front view thereof; FIG. 3 is a rear view thereof; FIG. 4 is a top view thereof; FIG. 5 is a bottom view thereof; FIG. 6 is a left side view thereof; FIG. 7 is a right side view thereof; FIG. 8 is a front, top, right side, perspective view showing a second embodiment of our new design; FIG. 9 is a front view thereof; FIG. 10 is a rear, top, left side, perspective view thereof; FIG. 11 is a rear view thereof; FIG. 12 is a top view thereof; FIG. 13 is a bottom view thereof; FIG. 14 is a left side view thereof; and, FIG. 15 is a right side view thereof.

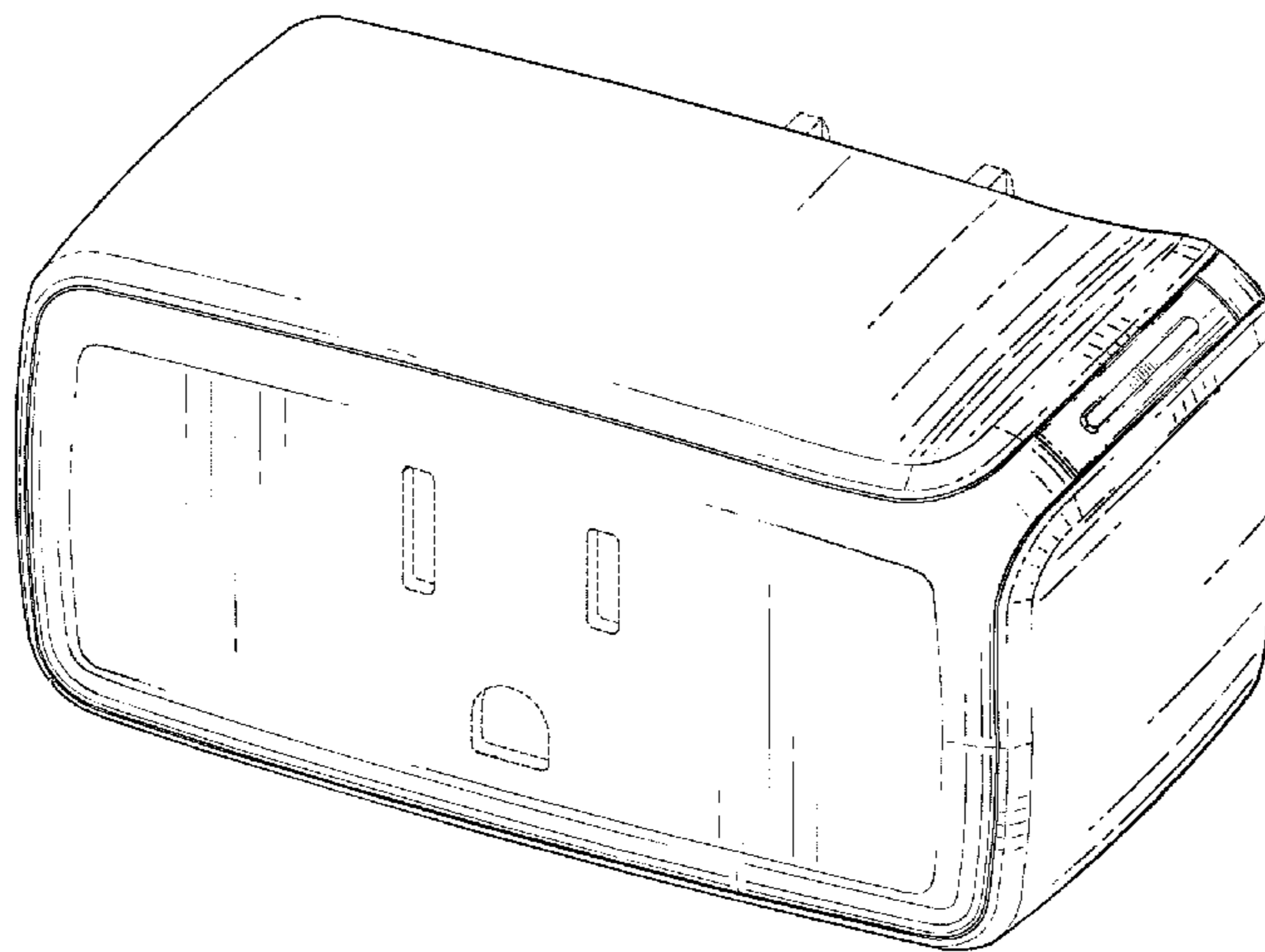
The broken lines in the drawings illustrate environmental material that forms no part of the claimed design.

1 Claim, 15 Drawing Sheets

(56) **References Cited**

U.S. PATENT DOCUMENTS

5,973,948	A	*	10/1999	Hahn	H01R 13/6675 363/143
6,042,400	A	*	3/2000	Queffelec	H01R 13/44 439/131
D641,481	S	*	7/2011	Fisher	D13/162
D659,095	S	*	5/2012	McManigal	D13/110
D665,354	S	*	8/2012	Chen	D13/138.1
D666,729	S	*	9/2012	Fisher	D24/186
D666,968	S	*	9/2012	Huang	D13/110
D667,787	S	*	9/2012	Druker	D13/110
D669,029	S	*	10/2012	Huang	D13/110
D677,223	S	*	3/2013	Cho	D13/110
D694,713	S	*	12/2013	Yeo	D13/137.1



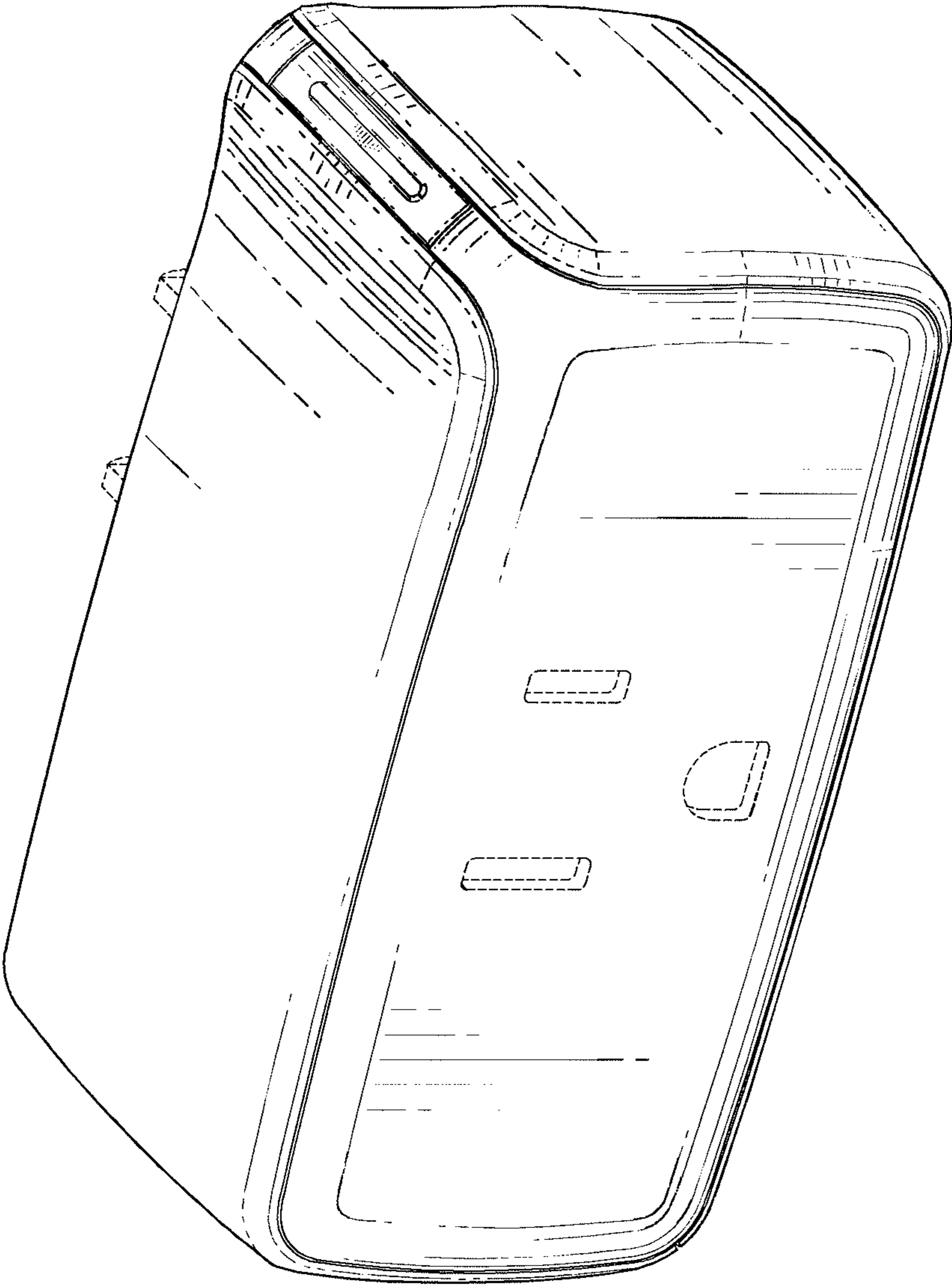


FIG. 1

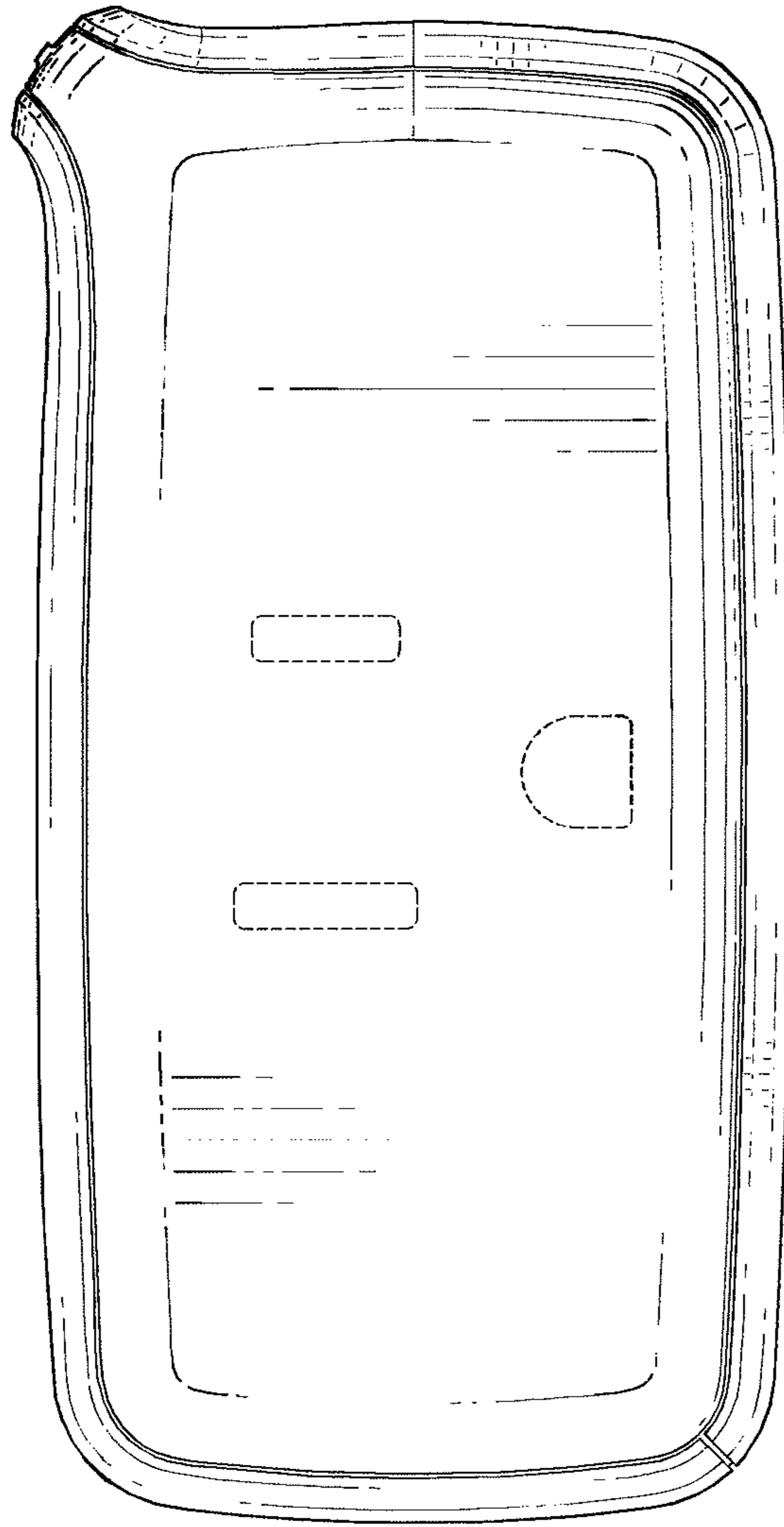


FIG. 2

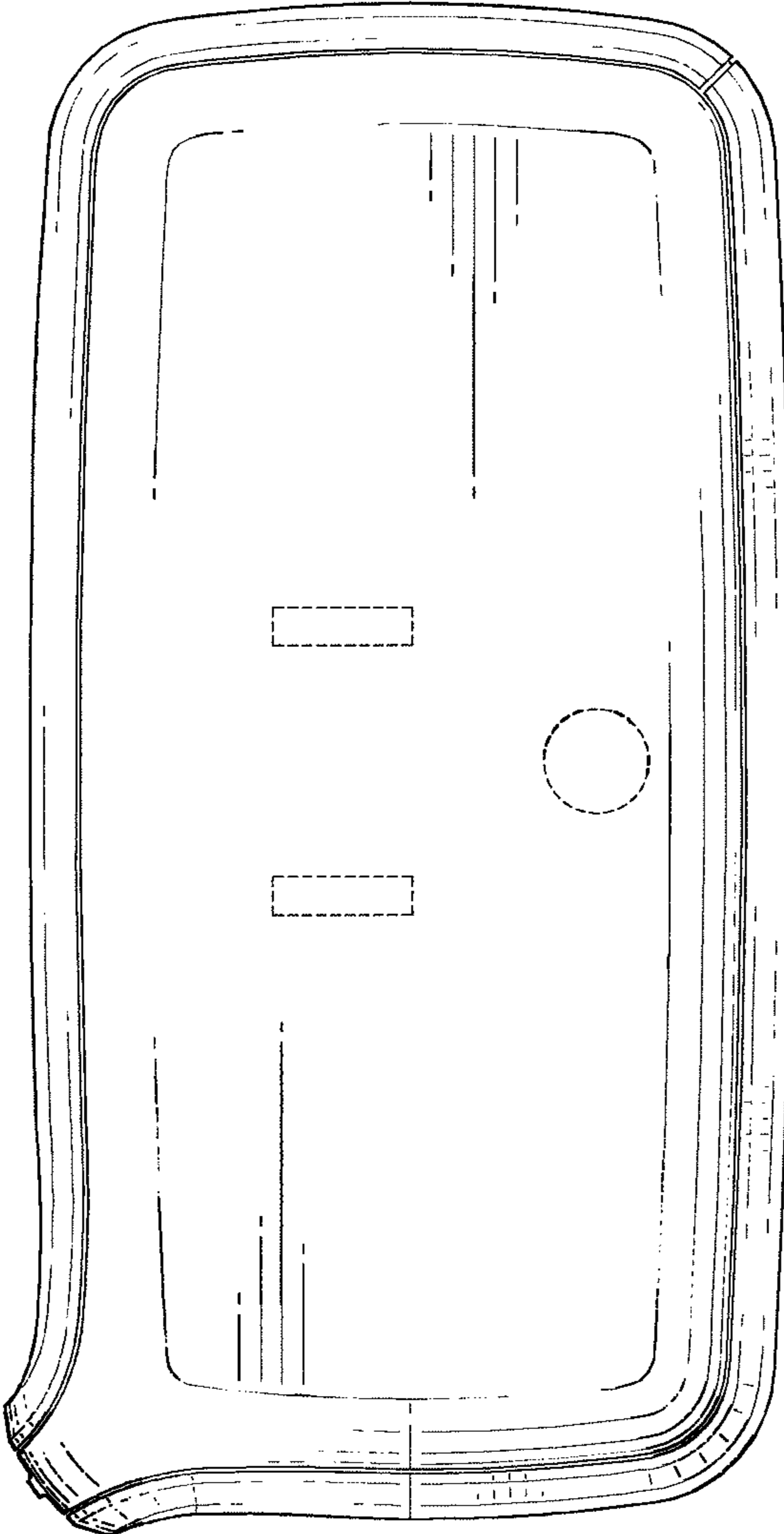


FIG. 3

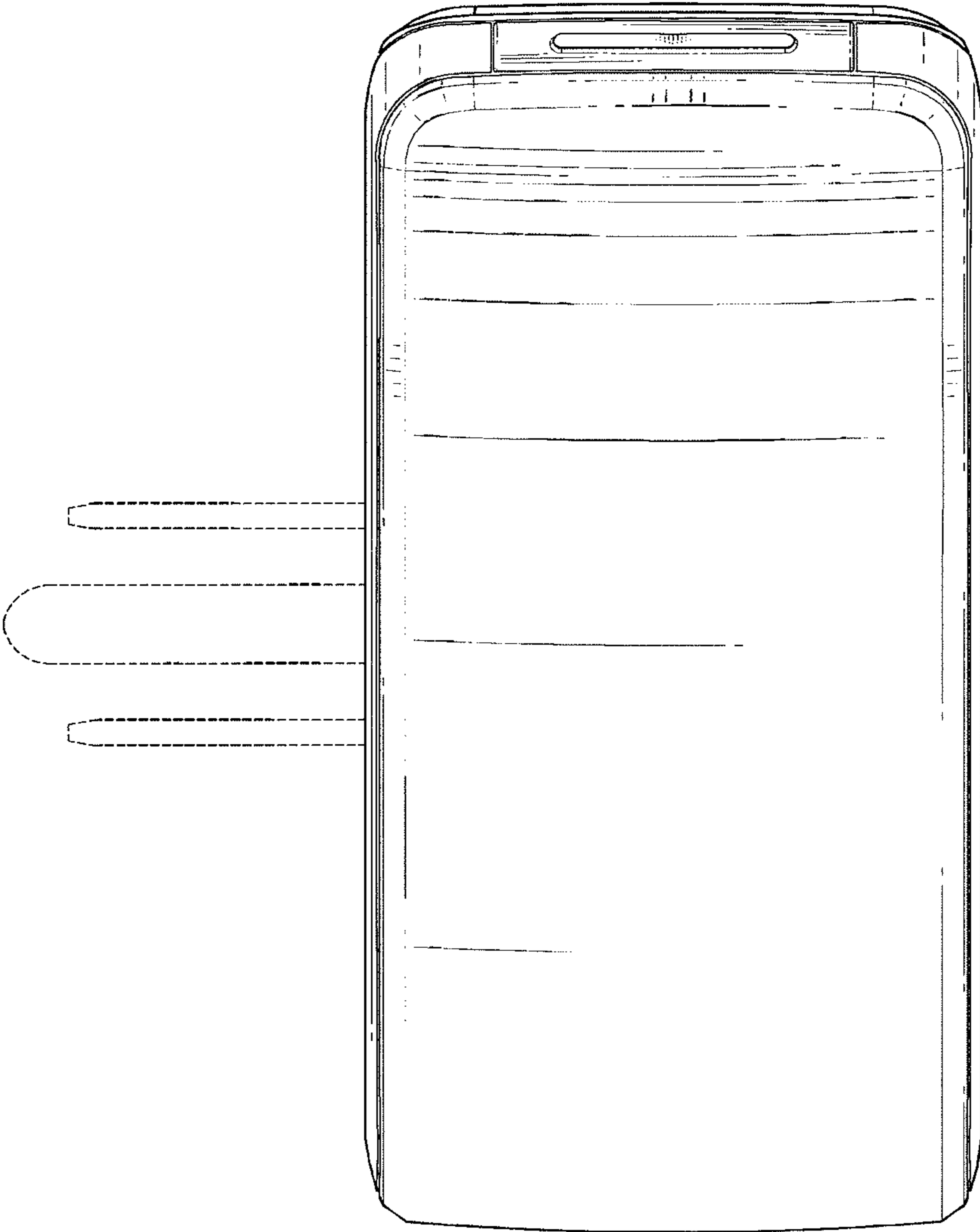


FIG. 4

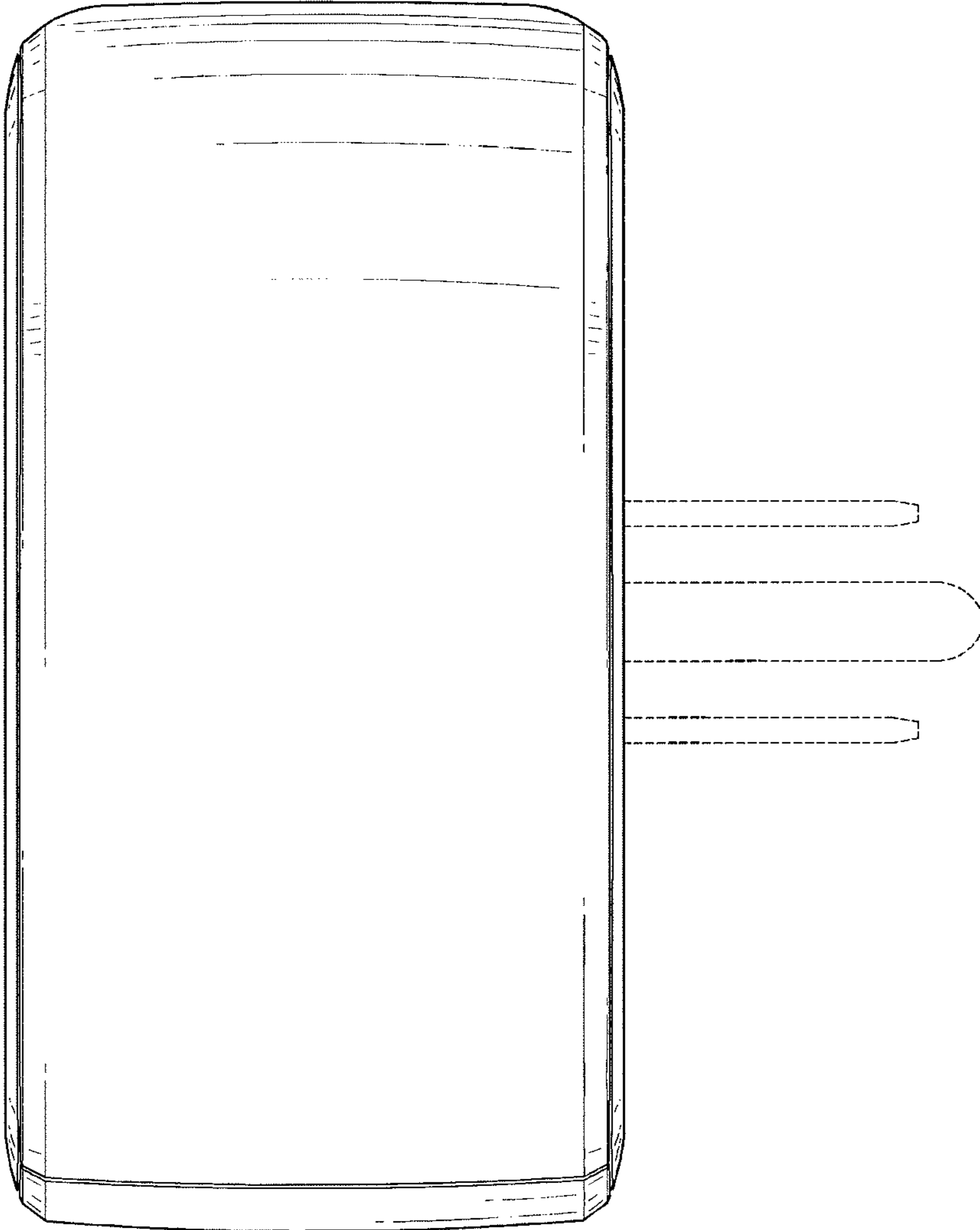


FIG. 5

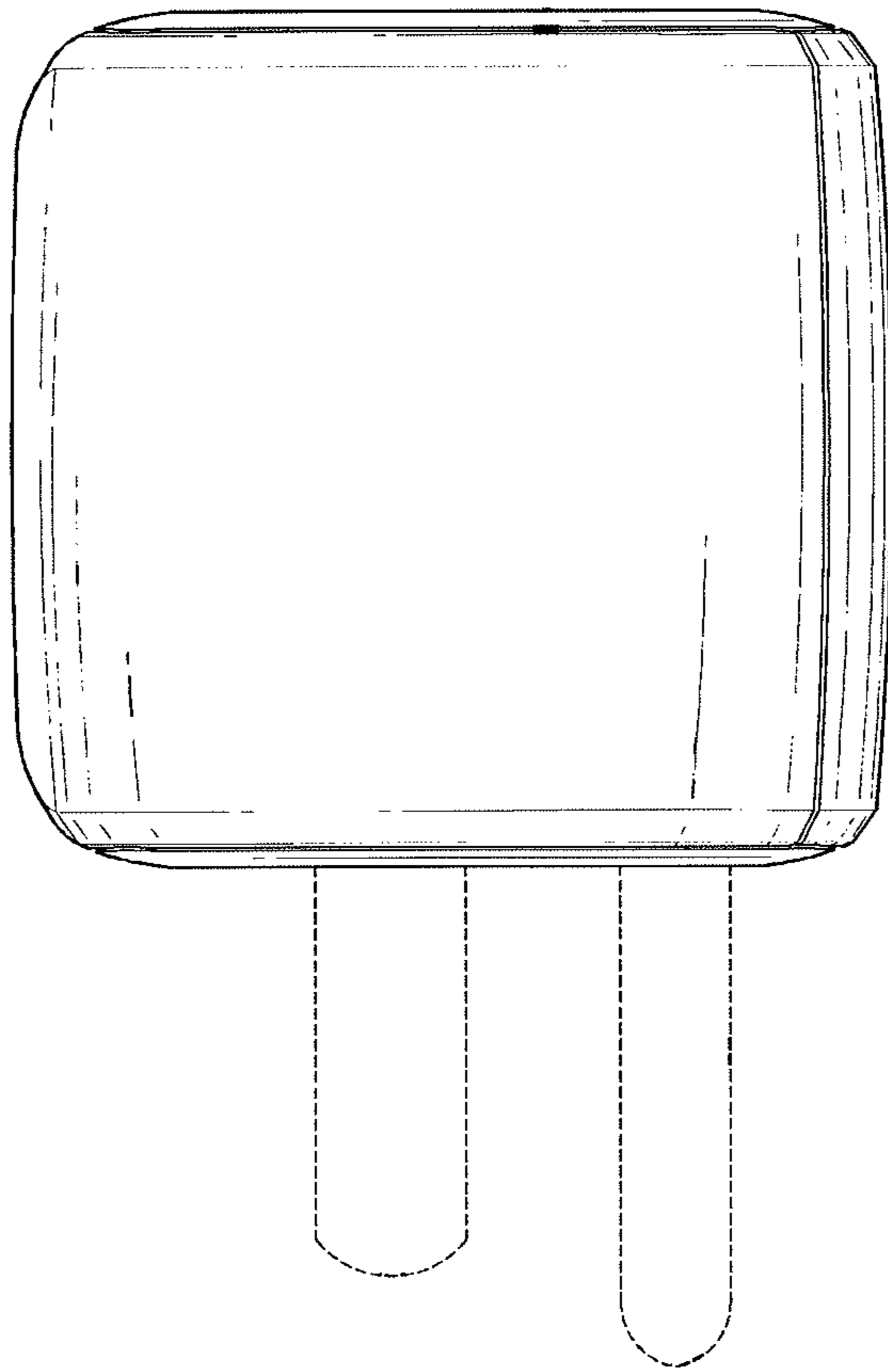


FIG. 6

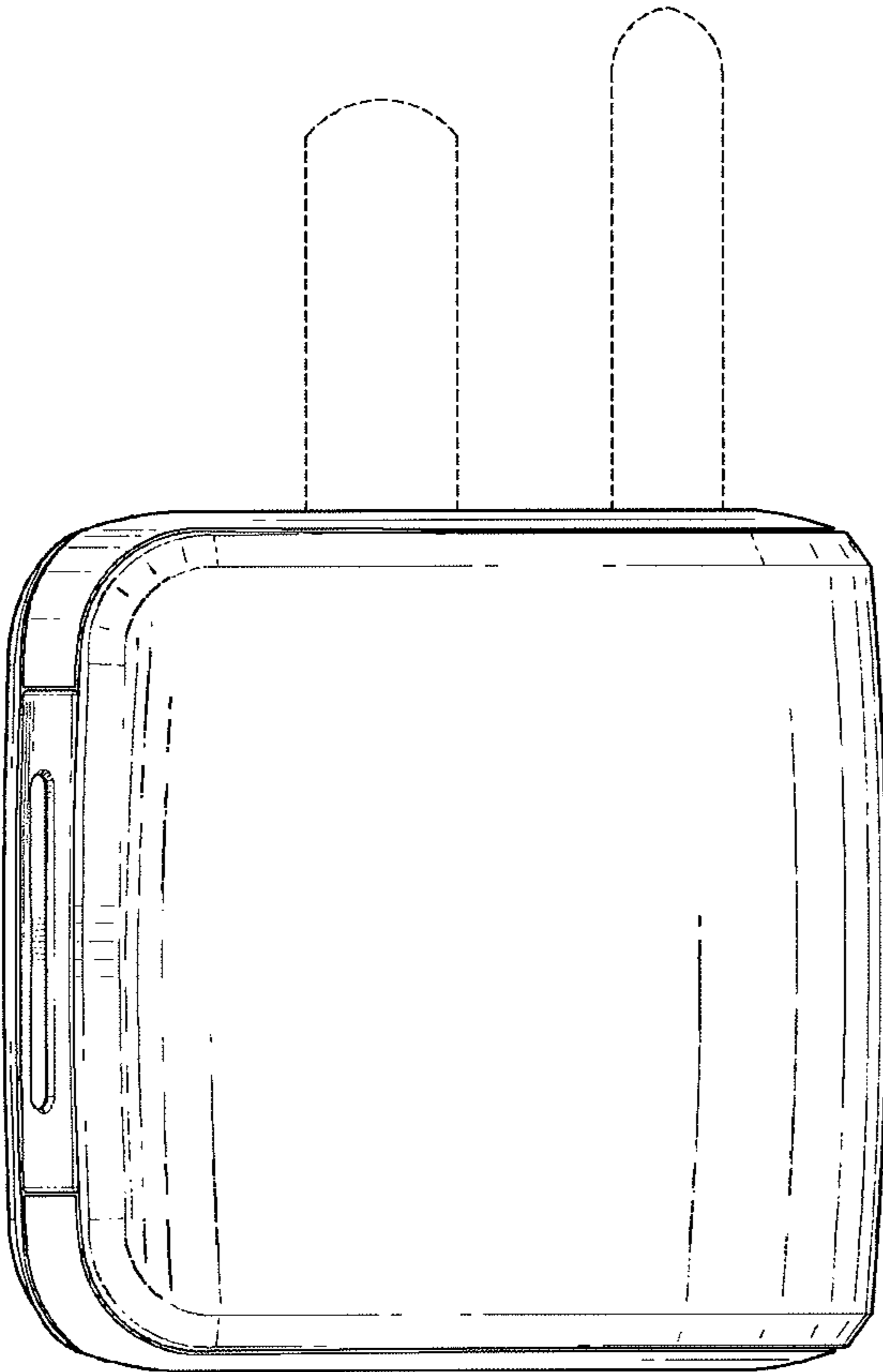


FIG. 7

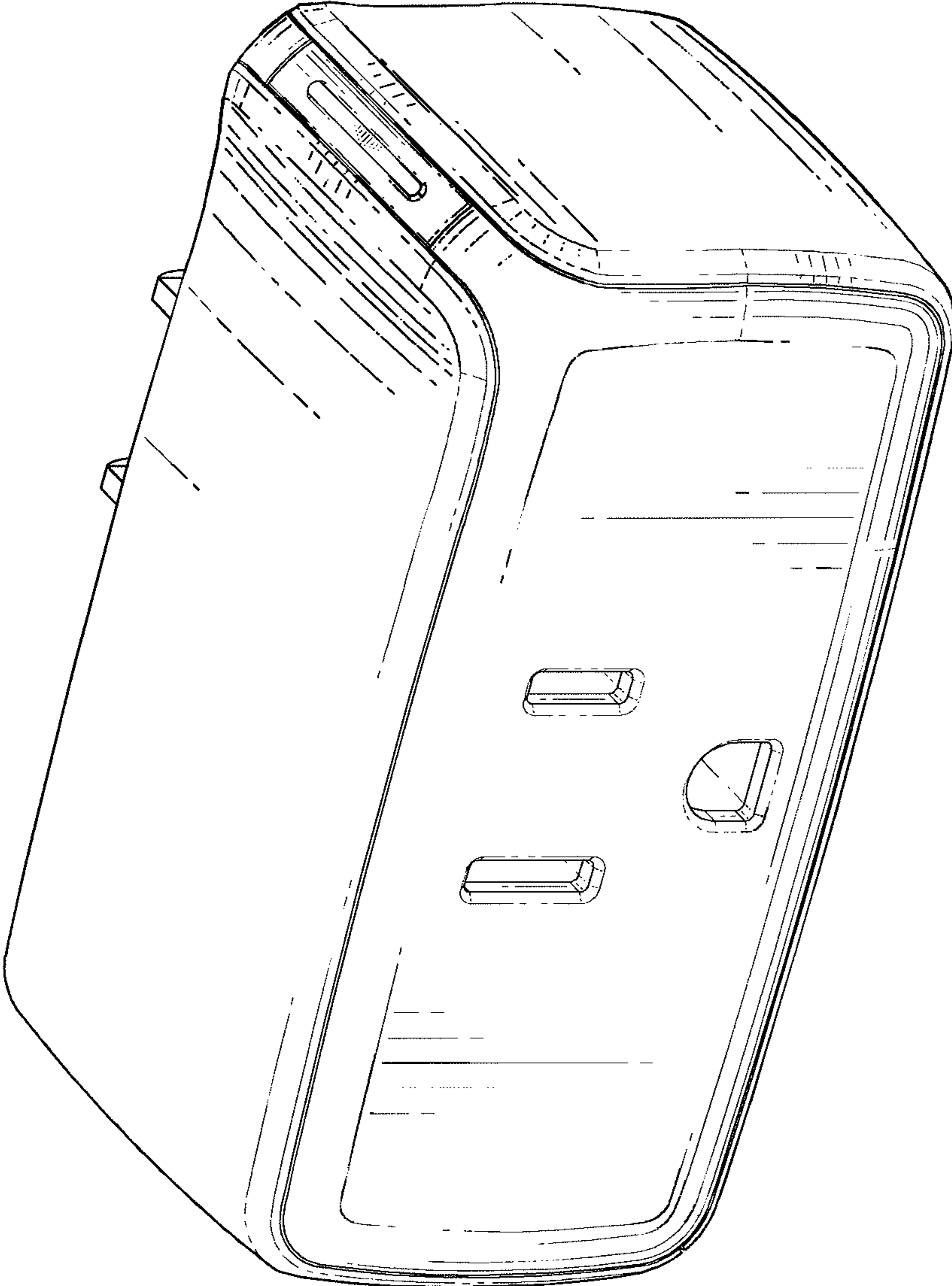


FIG. 8

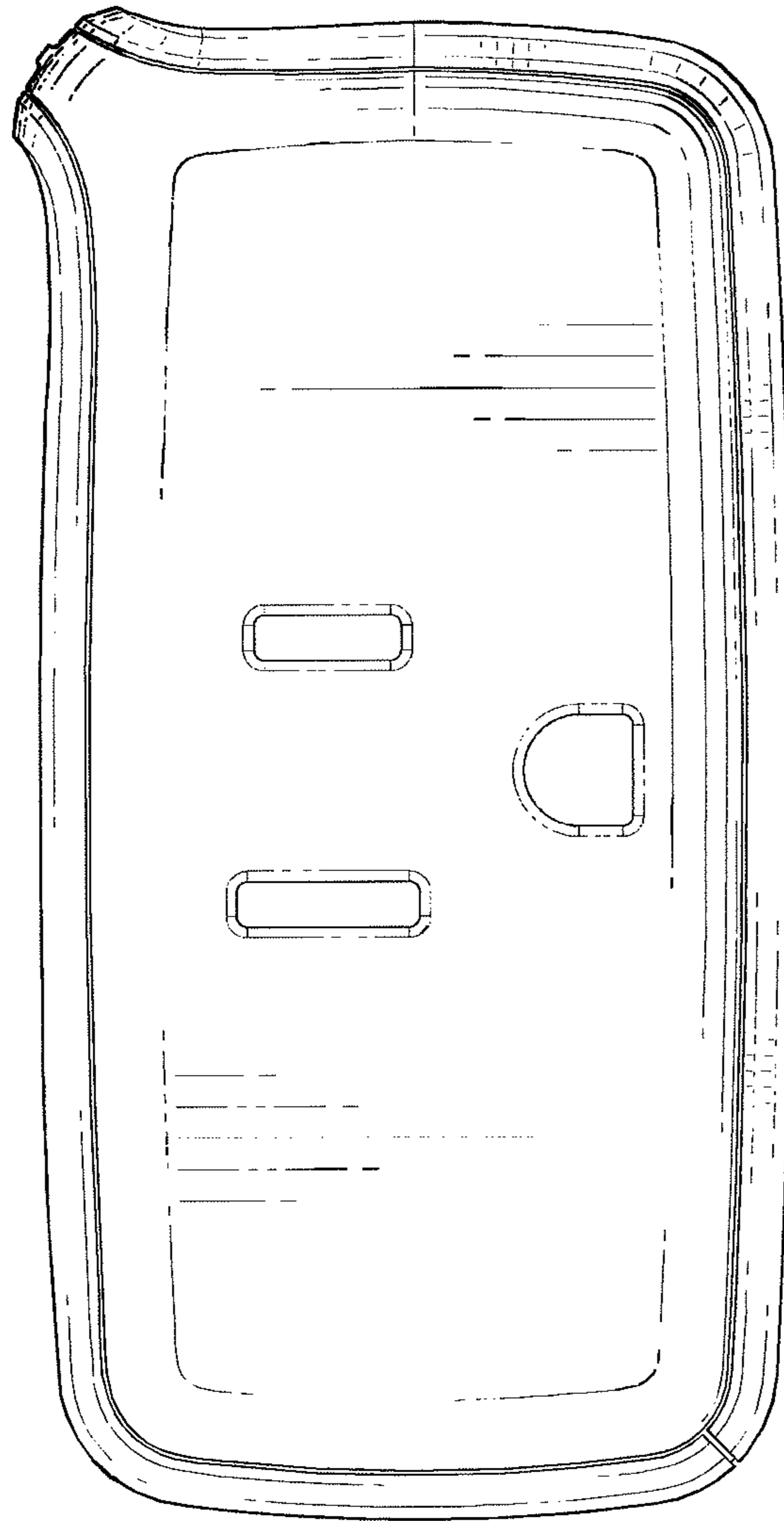


FIG. 9

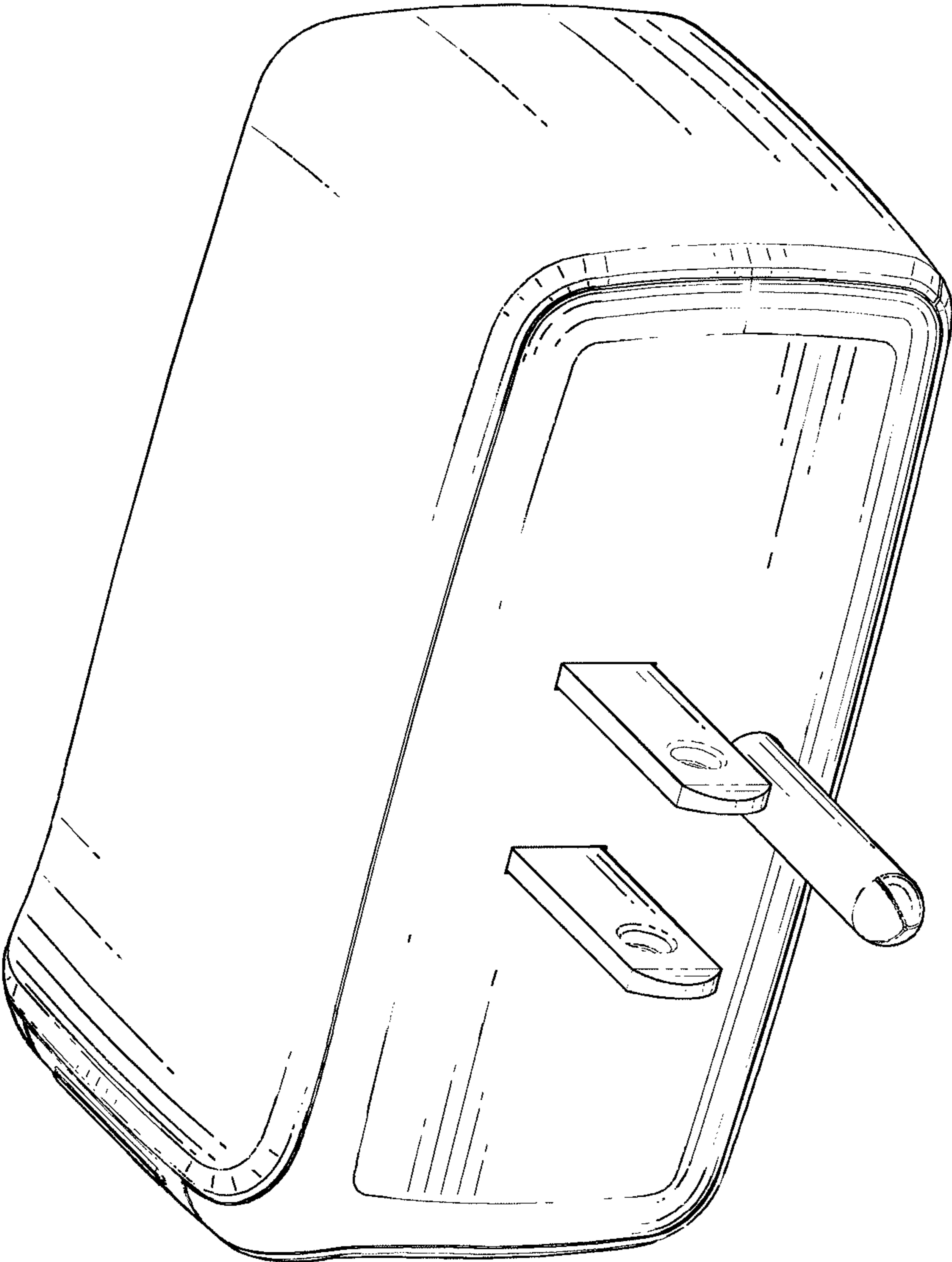


FIG. 10

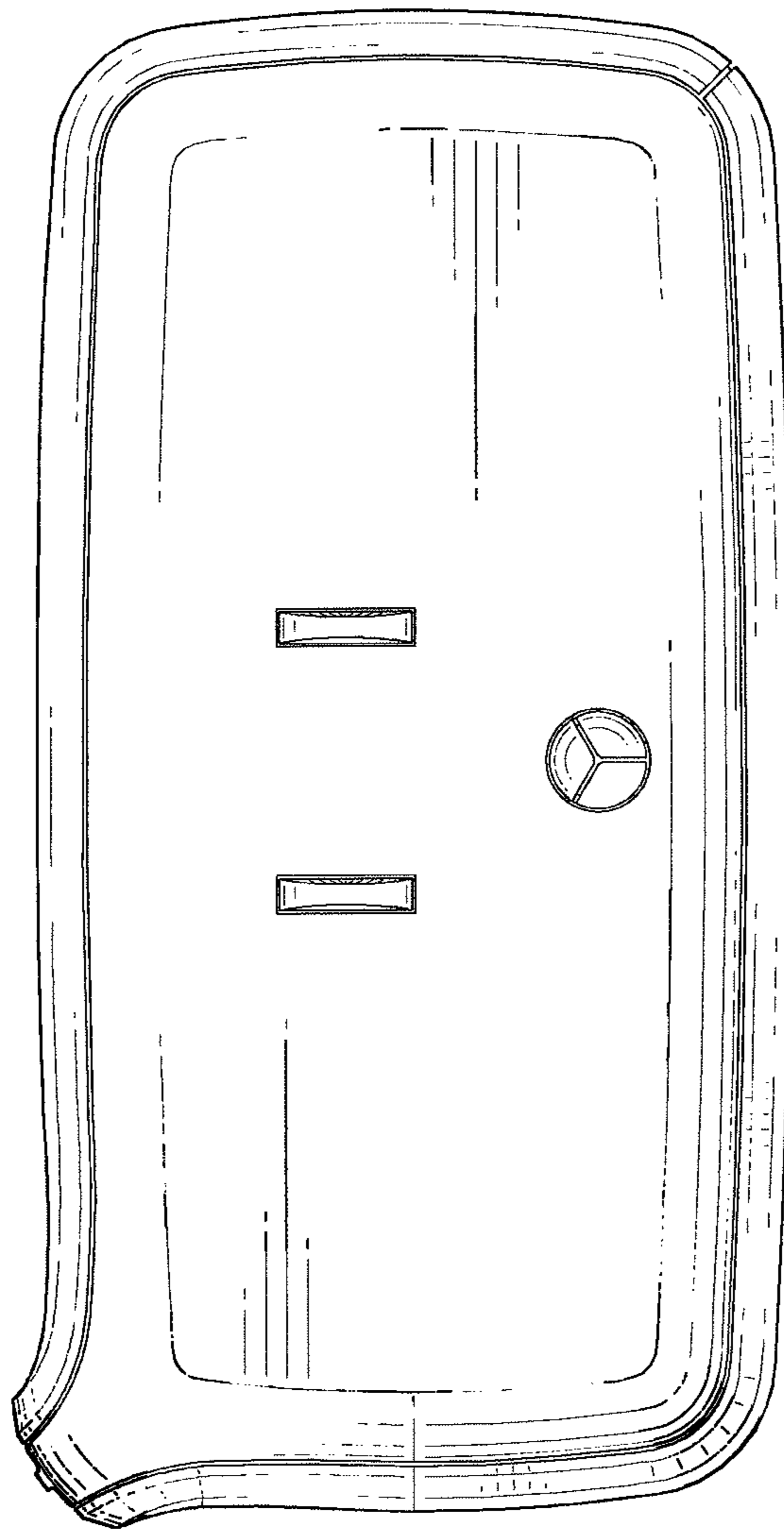


FIG. 11

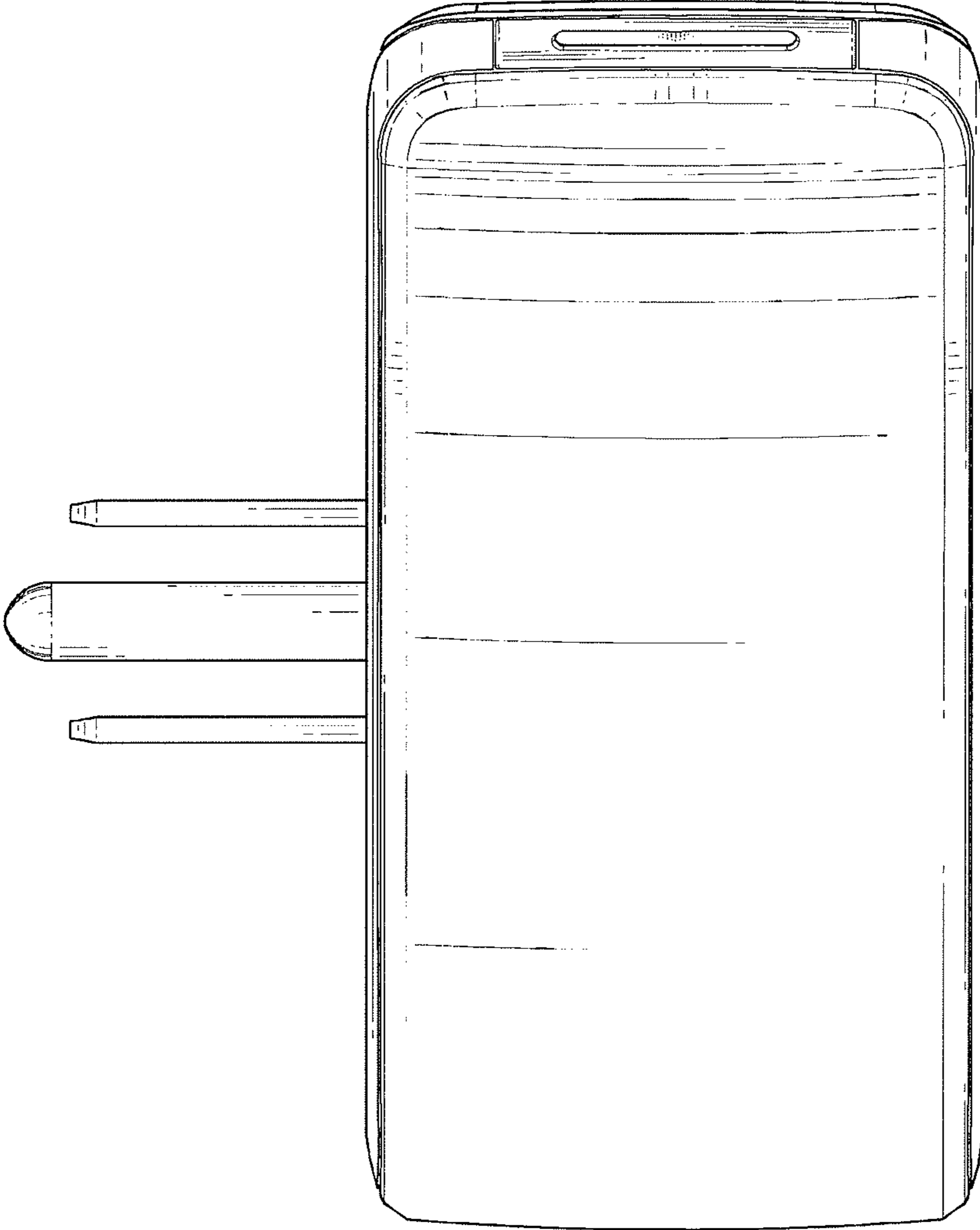


FIG. 12

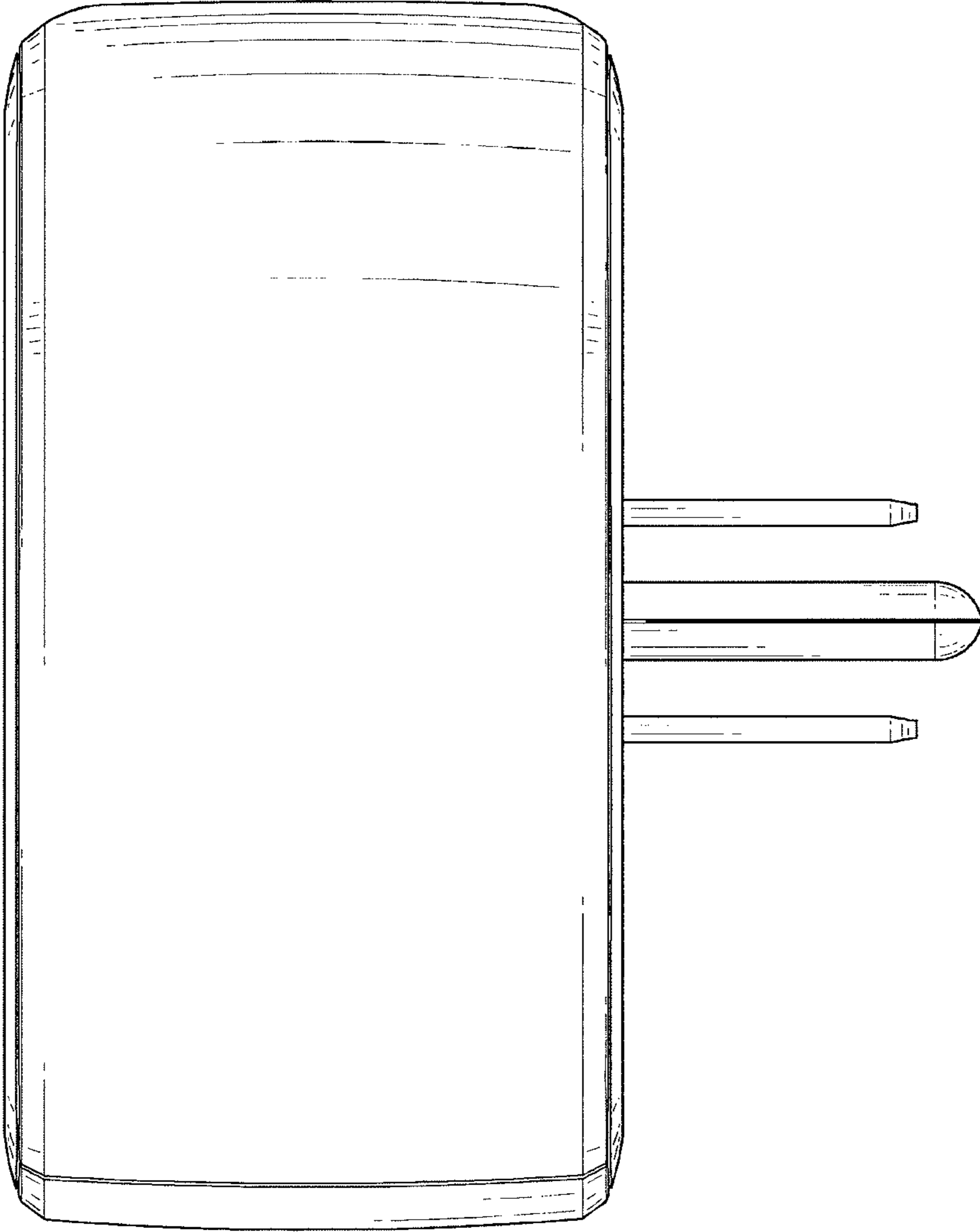


FIG. 13

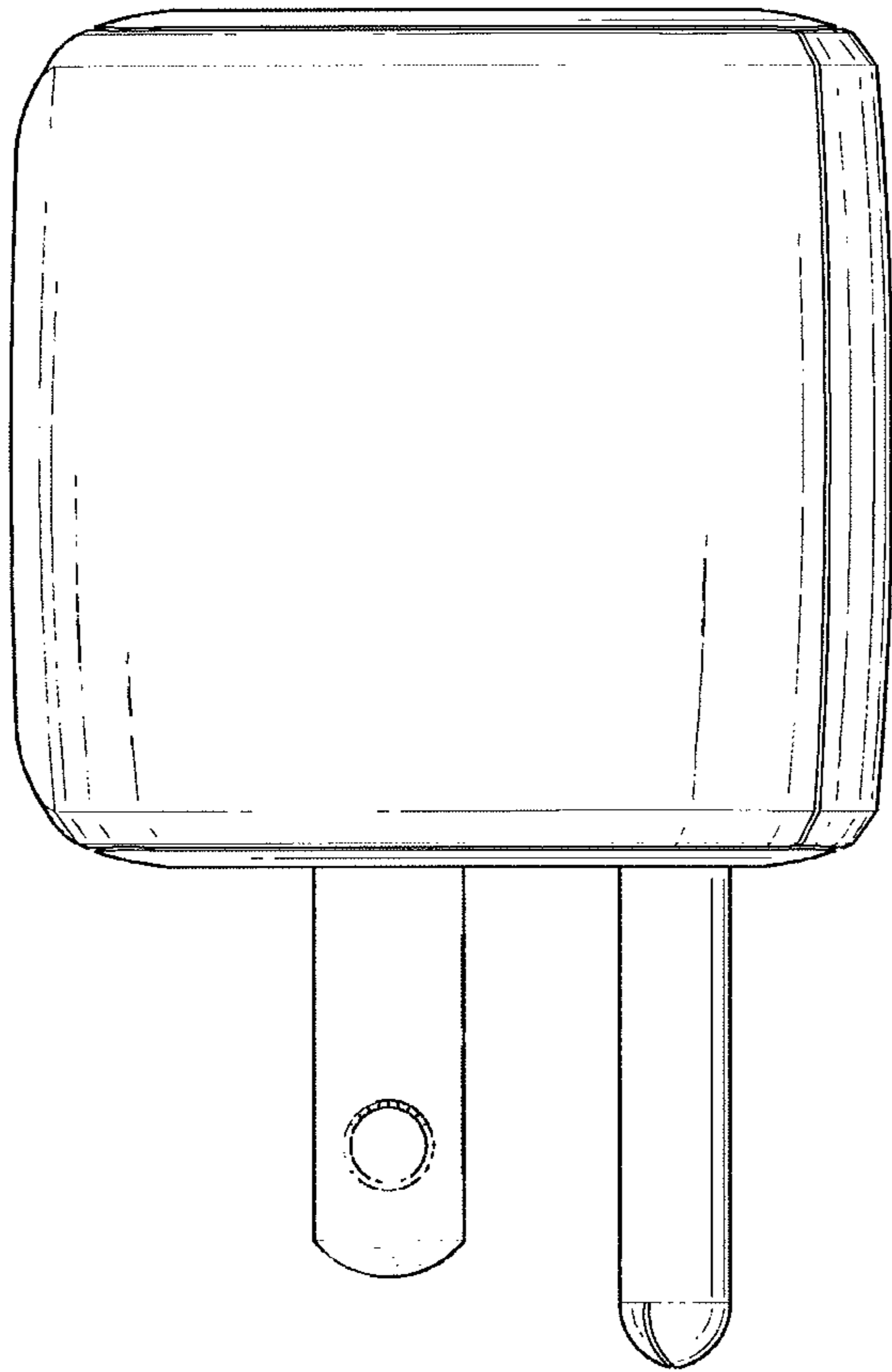


FIG. 14

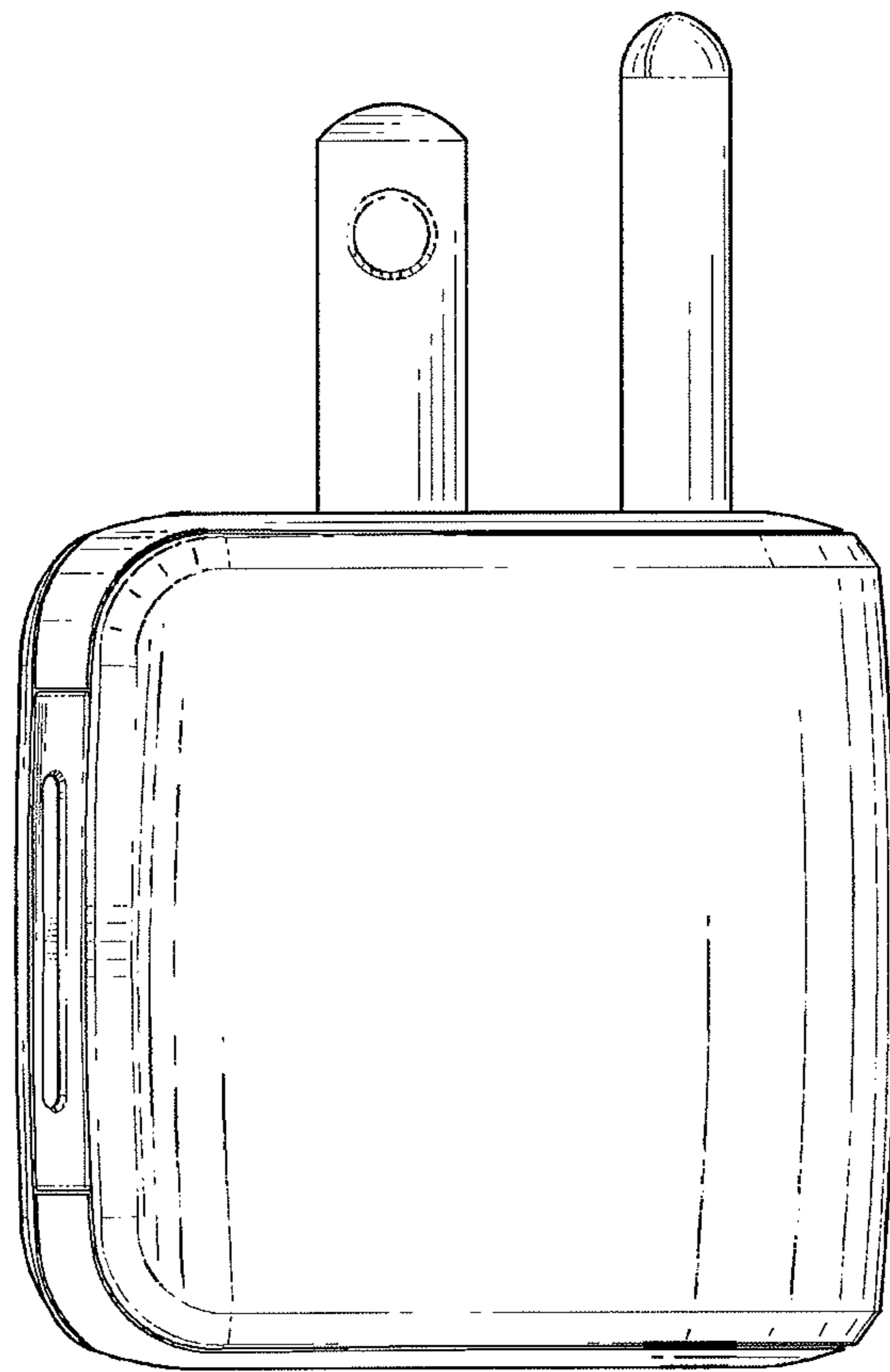


FIG. 15