



US00D756302S

(12) **United States Design Patent**
Chen et al.

(10) **Patent No.:** **US D756,302 S**
(45) **Date of Patent:** **** May 17, 2016**

(54) **ELECTRICAL CONNECTOR**

(71) Applicant: **TARNG YU ENTERPRISE CO., LTD.**, New Taipei (TW)

(72) Inventors: **Tsung-Chi Chen**, New Taipei (TW);
Mu-Jung Huang, New Taipei (TW)

(73) Assignee: **TARNG YU ENTERPRISE CO., LTD.**, New Taipei (TW)

(**) Term: **14 Years**

(21) Appl. No.: **29/519,204**

(22) Filed: **Mar. 3, 2015**

(30) **Foreign Application Priority Data**

Sep. 16, 2014 (TW) 103305443

(51) **LOC (10) Cl.** **13-03**

(52) **U.S. Cl.**
USPC **D13/133**

(58) **Field of Classification Search**
USPC D13/123, 133, 146, 147, 154, 184, 199
See application file for complete search history.

(56) **References Cited**

U.S. PATENT DOCUMENTS

D625,270 S * 10/2010 Schafmeister D13/147
D673,117 S * 12/2012 Gassauer D13/133

D674,344 S * 1/2013 Bies D13/133
D693,303 S * 11/2013 Bies D13/133
D694,191 S * 11/2013 Lien D13/149
2011/0250775 A1* 10/2011 Bies H01R 12/53
439/296
2011/0250803 A1* 10/2011 Bies H01R 4/4836
439/752.5

* cited by examiner

Primary Examiner — Daniel Bui

(74) *Attorney, Agent, or Firm* — Muncy, Geissler, Olds & Lowe, P.C.

(57) **CLAIM**

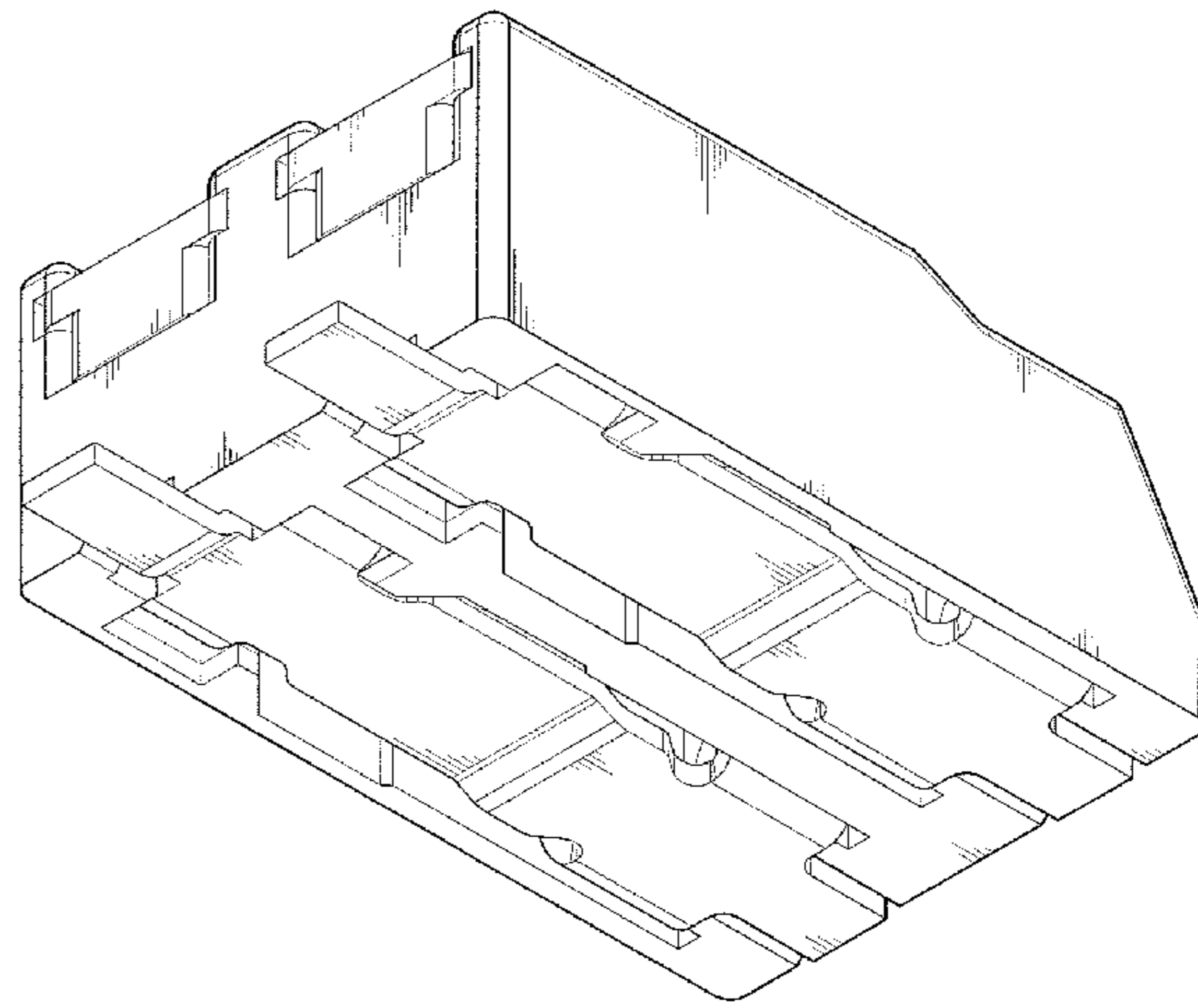
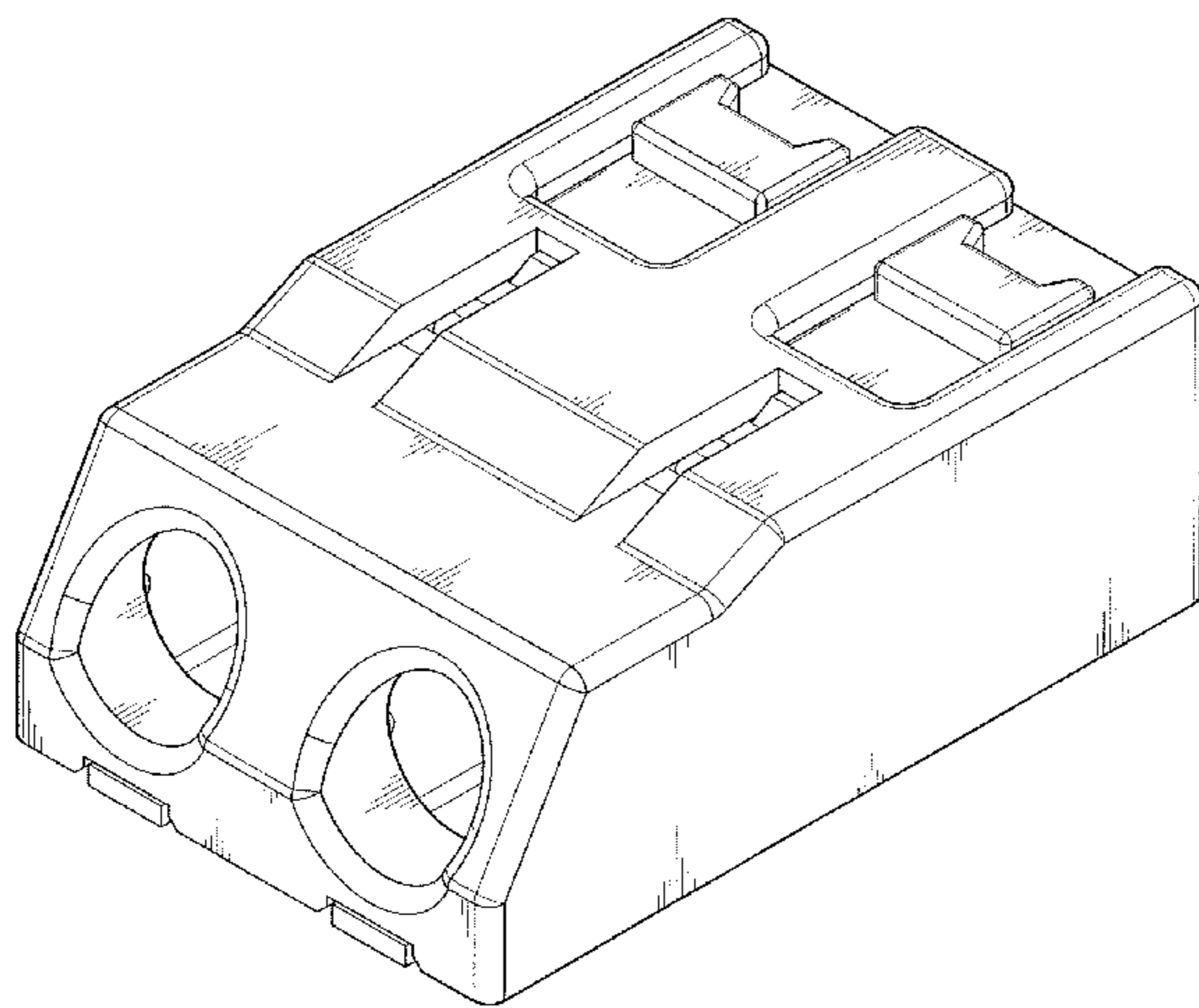
The ornamental design for an electrical connector, as shown and described.

DESCRIPTION

FIG. 1 is a front, top and right side perspective view of an electrical connector showing our new design;
FIG. 2 is a rear, bottom and left side perspective view thereof;
FIG. 3 is a front view thereof;
FIG. 4 is a rear view thereof;
FIG. 5 is a left side view thereof;
FIG. 6 is a right side view thereof;
FIG. 7 is a top view thereof; and,
FIG. 8 is a bottom view thereof.

The broken line in the FIG. 3 represents unclaimed environment only and forms no part of the claimed design.

1 Claim, 8 Drawing Sheets



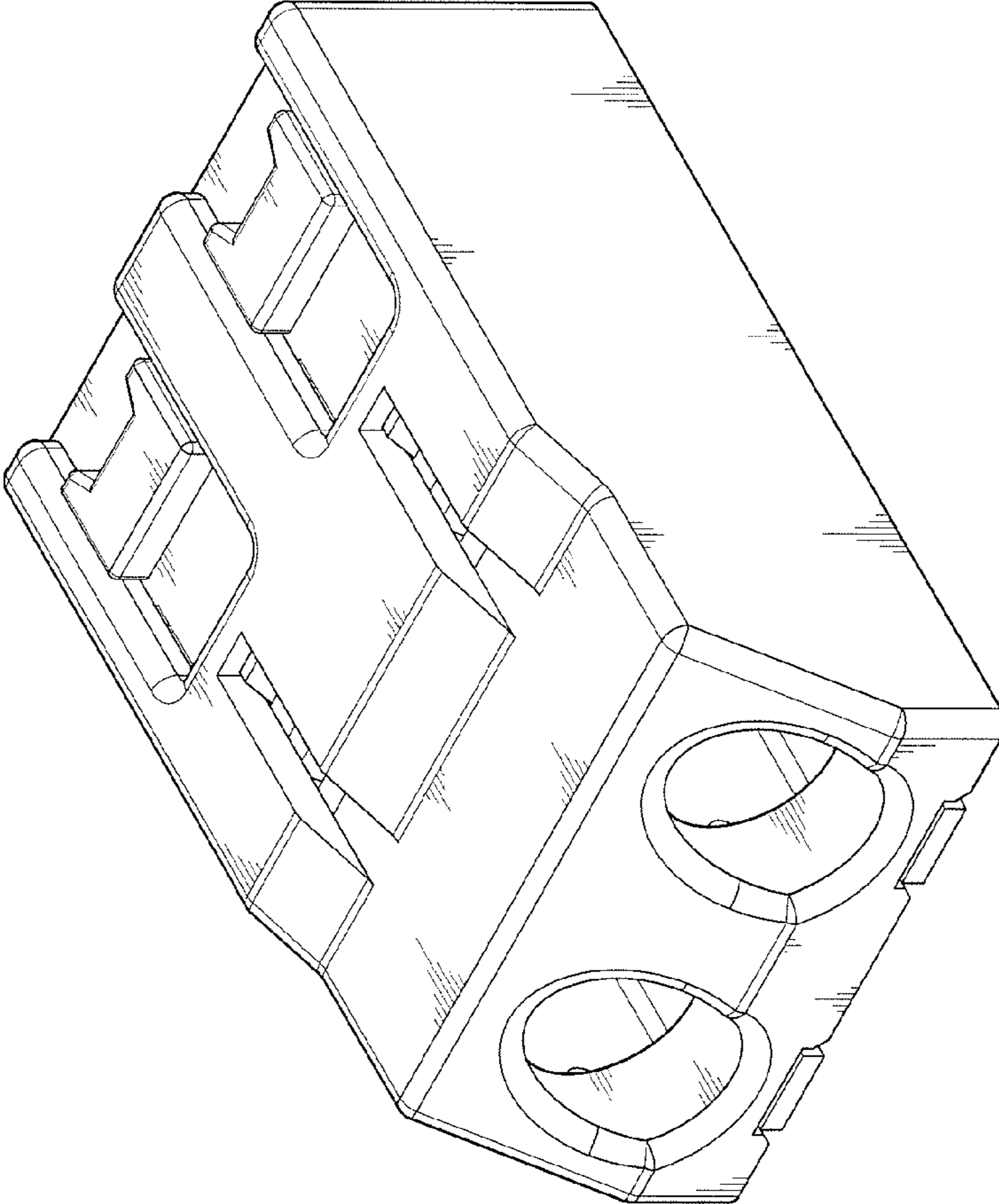


FIG. 1

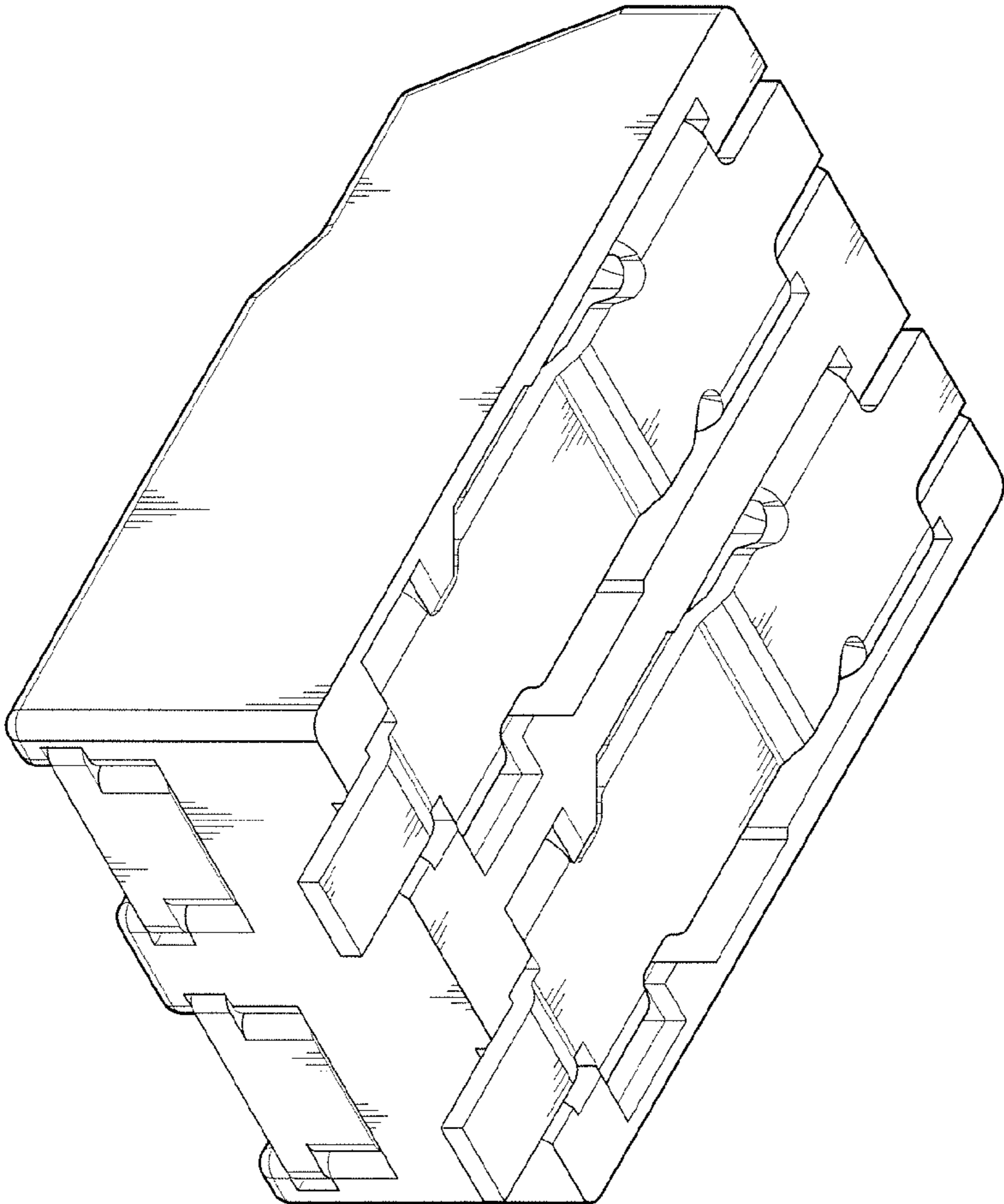


FIG. 2

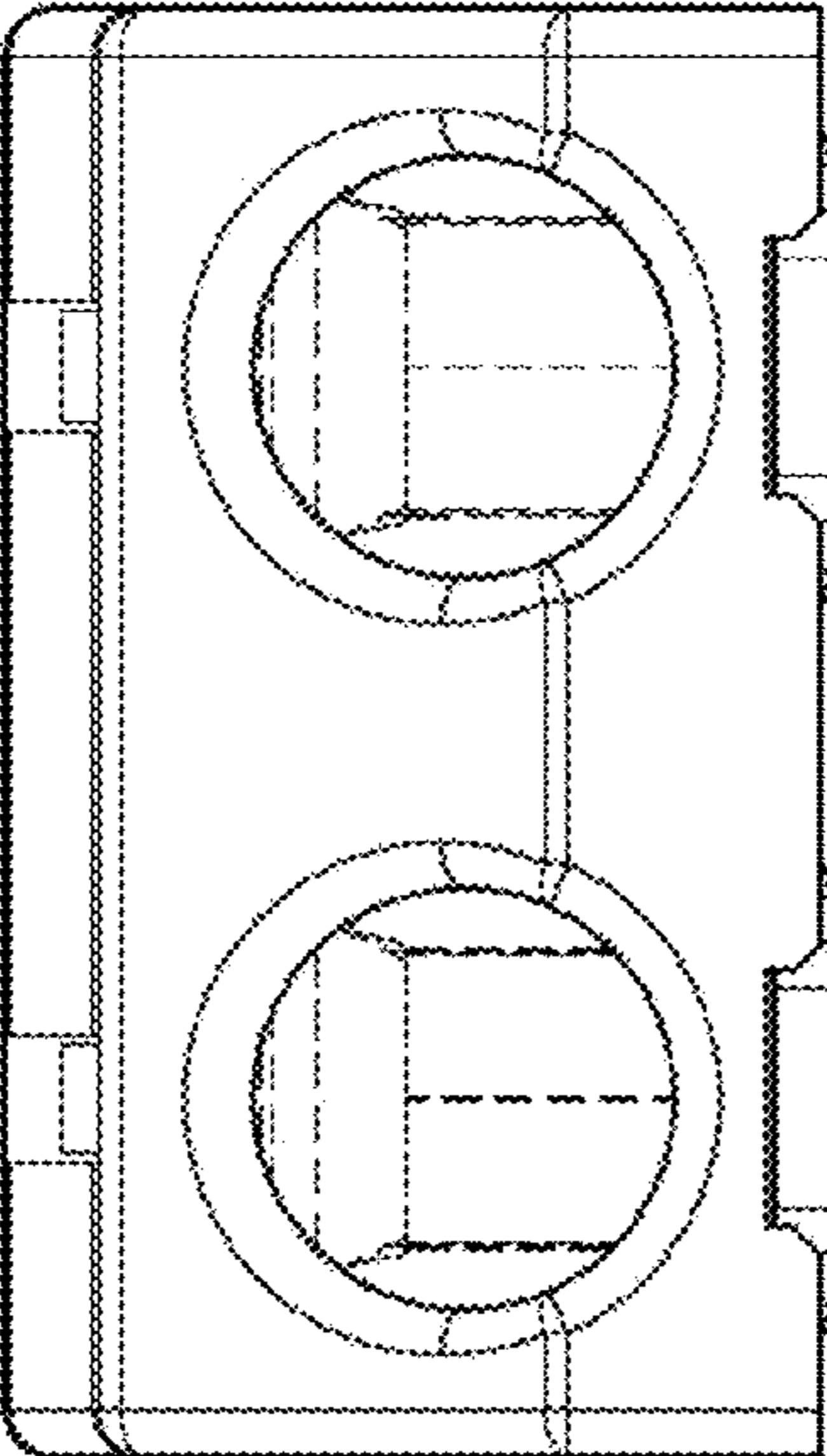


FIG. 3

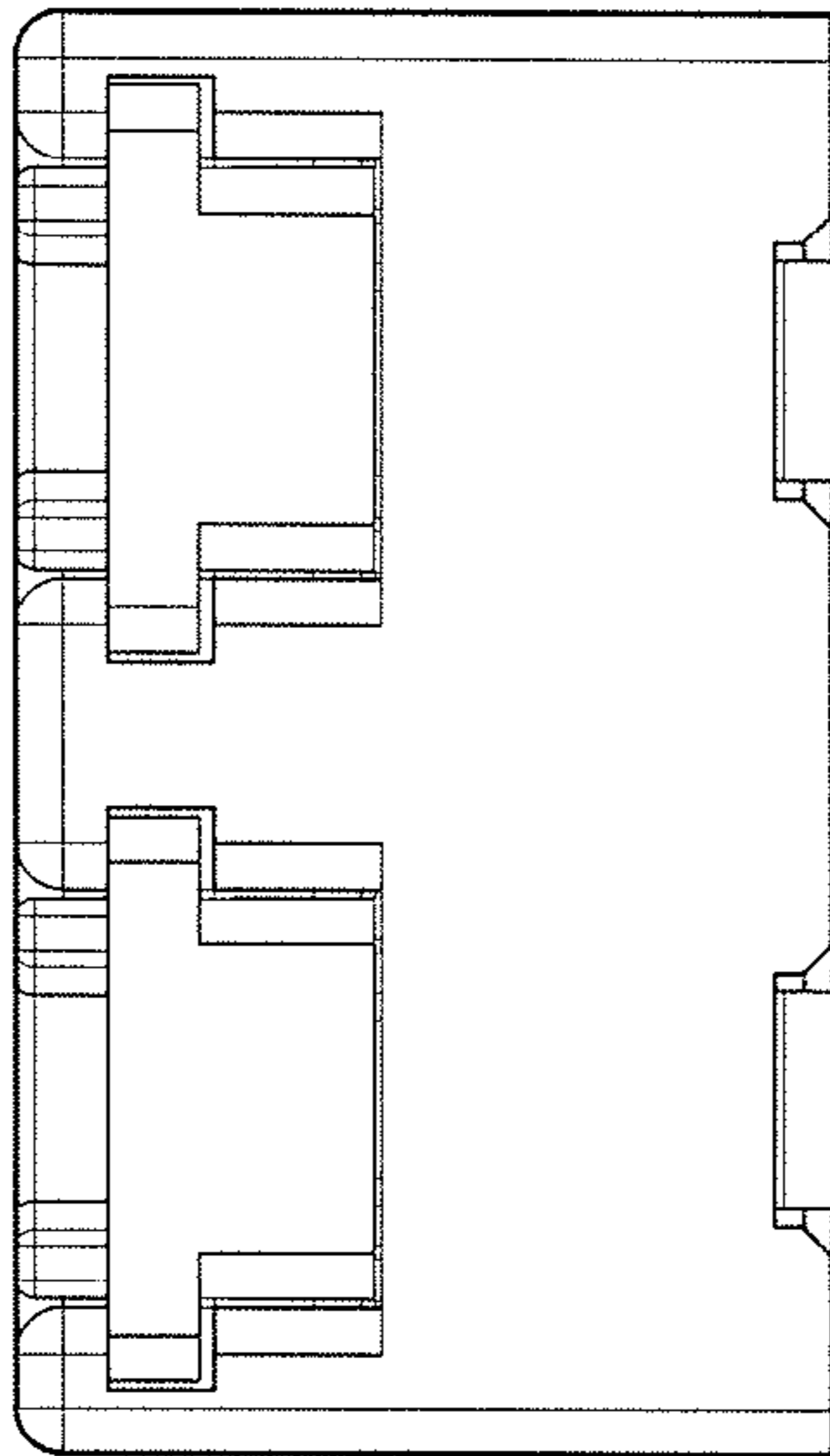


FIG. 4

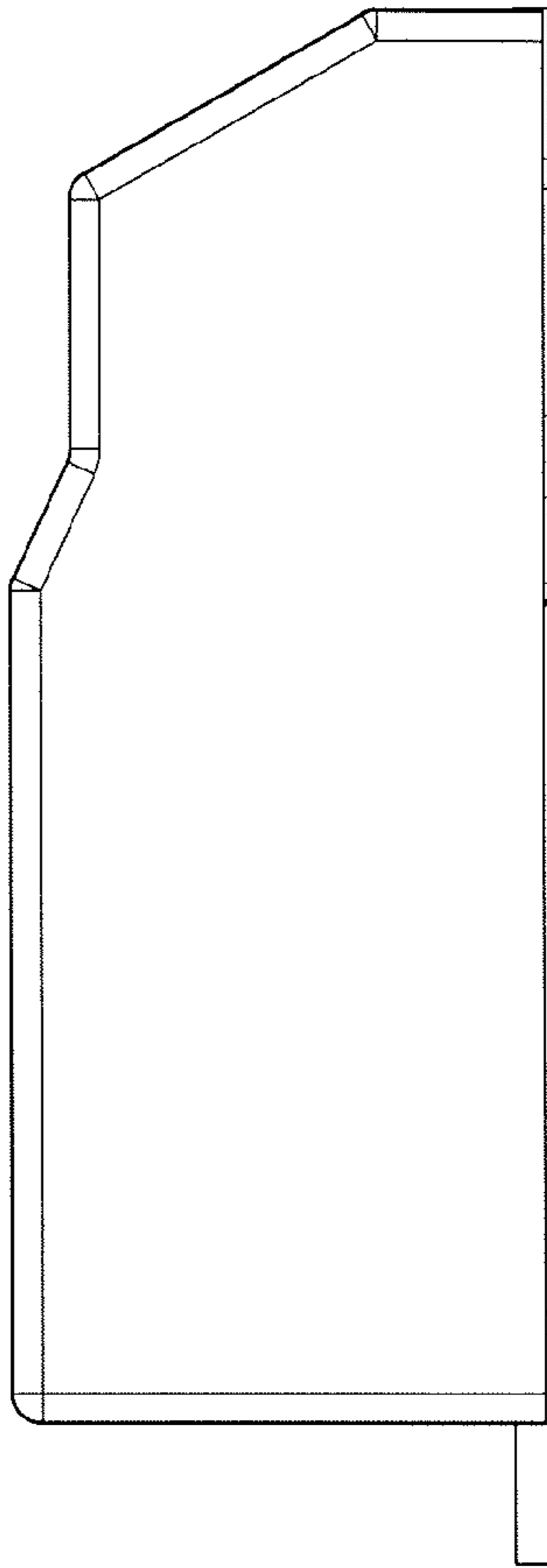


FIG. 5

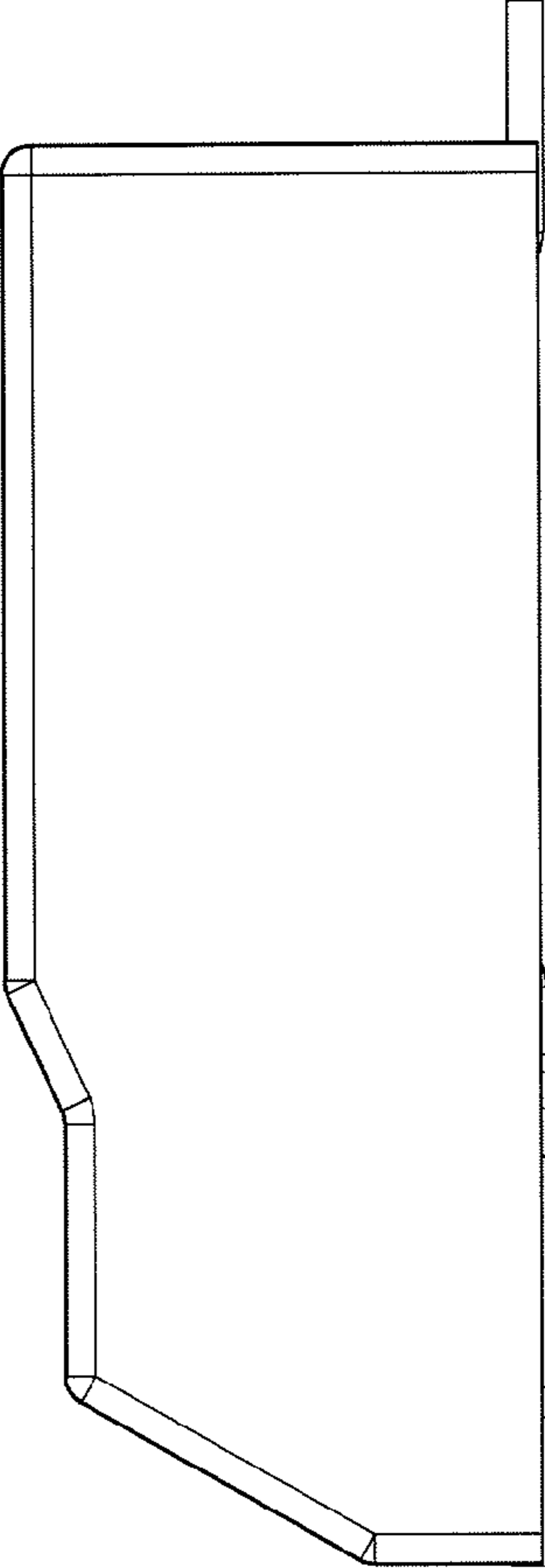


FIG. 6

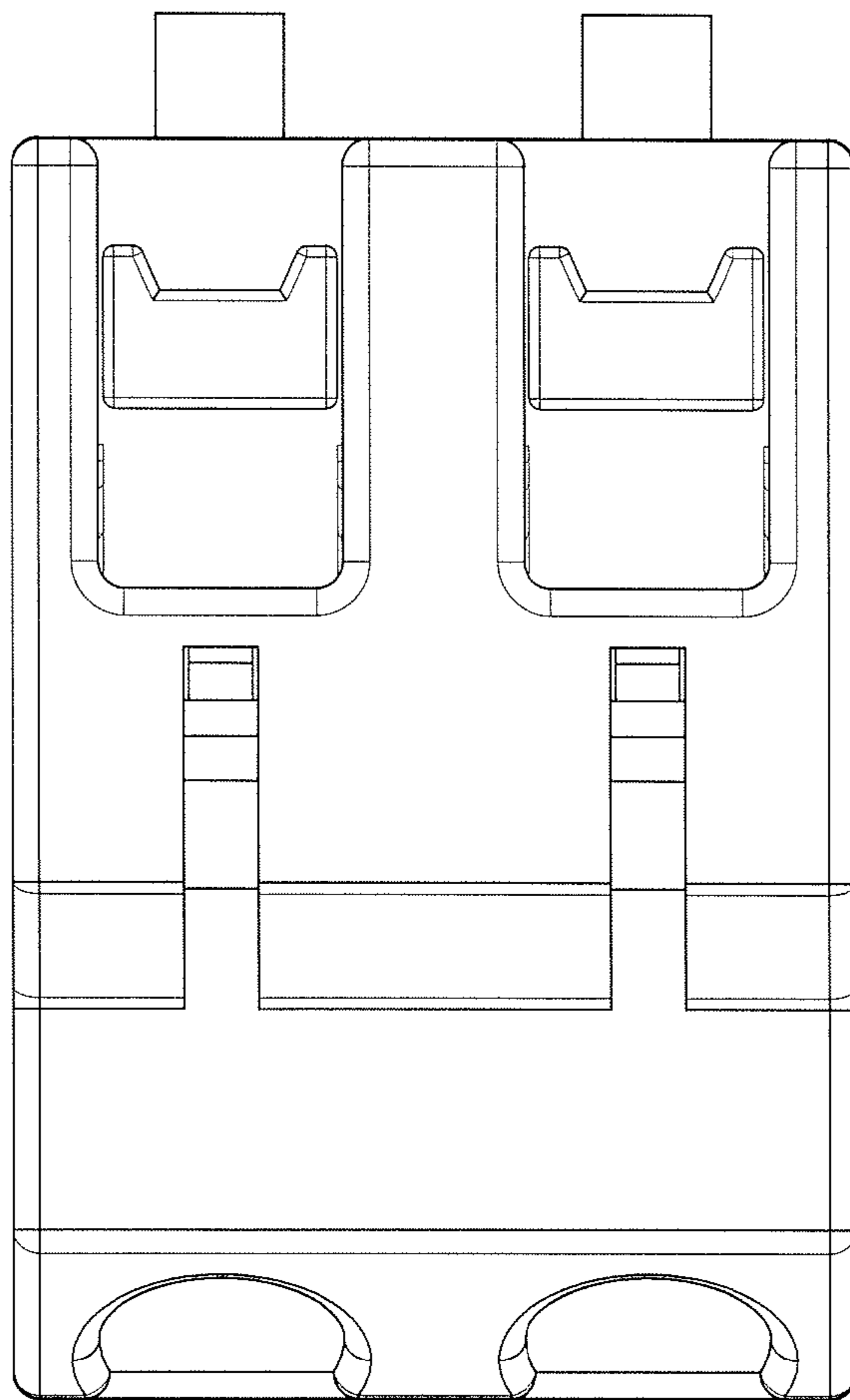


FIG. 7

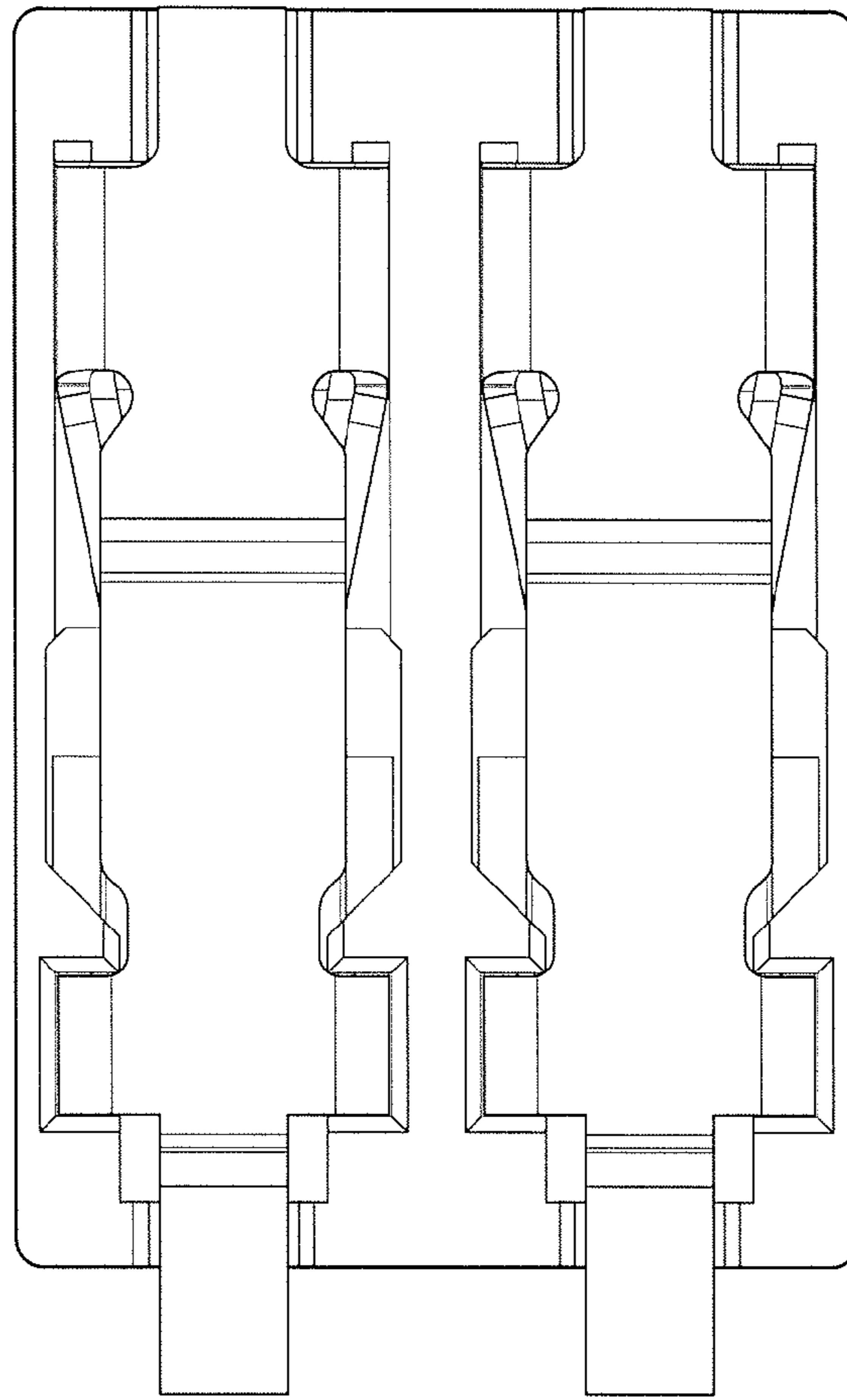


FIG. 8