



US00D756301S

(12) **United States Design Patent**  
**Wu et al.**

(10) **Patent No.:** **US D756,301 S**  
(45) **Date of Patent:** **\*\* May 17, 2016**

(54) **ELECTRICAL WIRE CONNECTION  
TERMINAL DEVICE**

(71) Applicants: **SWITCHLAB INC.**, New Taipei (TW);  
**SWITCHLAB (SHANGHAI) CO.,  
LTD.**, Shanghai (CN)

(72) Inventors: **Chih-Yuan Wu**, New Taipei (TW);  
**Wei-Chi Chen**, New Taipei (TW)

(73) Assignees: **Switchlab Inc.**, New Taipei (TW);  
**Switchlab (Shanghai) Co., Ltd.**,  
Shanghai (CN)

(\*\*) Term: **14 Years**

(21) Appl. No.: **29/514,074**

(22) Filed: **Jan. 8, 2015**

(30) **Foreign Application Priority Data**

Aug. 20, 2014 (TW) ..... 103304885

(51) **LOC (10) Cl.** ..... **13-03**

(52) **U.S. Cl.**  
USPC ..... **D13/133**

(58) **Field of Classification Search**  
USPC ..... D13/123, 133, 146, 147, 154, 184, 199  
See application file for complete search history.

(56) **References Cited**

U.S. PATENT DOCUMENTS

D625,270	S	*	10/2010	Schafmeister	.....	D13/147
D673,117	S	*	12/2012	Gassauer	.....	D13/133
D674,344	S	*	1/2013	Bies	.....	D13/133
D693,303	S	*	11/2013	Bies	.....	D13/133
D694,191	S	*	11/2013	Lien	.....	D13/149
2011/0250775	A1	*	10/2011	Bies	.....	H01R 12/53 439/296
2011/0250803	A1	*	10/2011	Bies	.....	H01R 4/4836 439/752.5

\* cited by examiner

*Primary Examiner* — Daniel Bui

(74) *Attorney, Agent, or Firm* — Rosenberg, Klein & Lee

(57) **CLAIM**

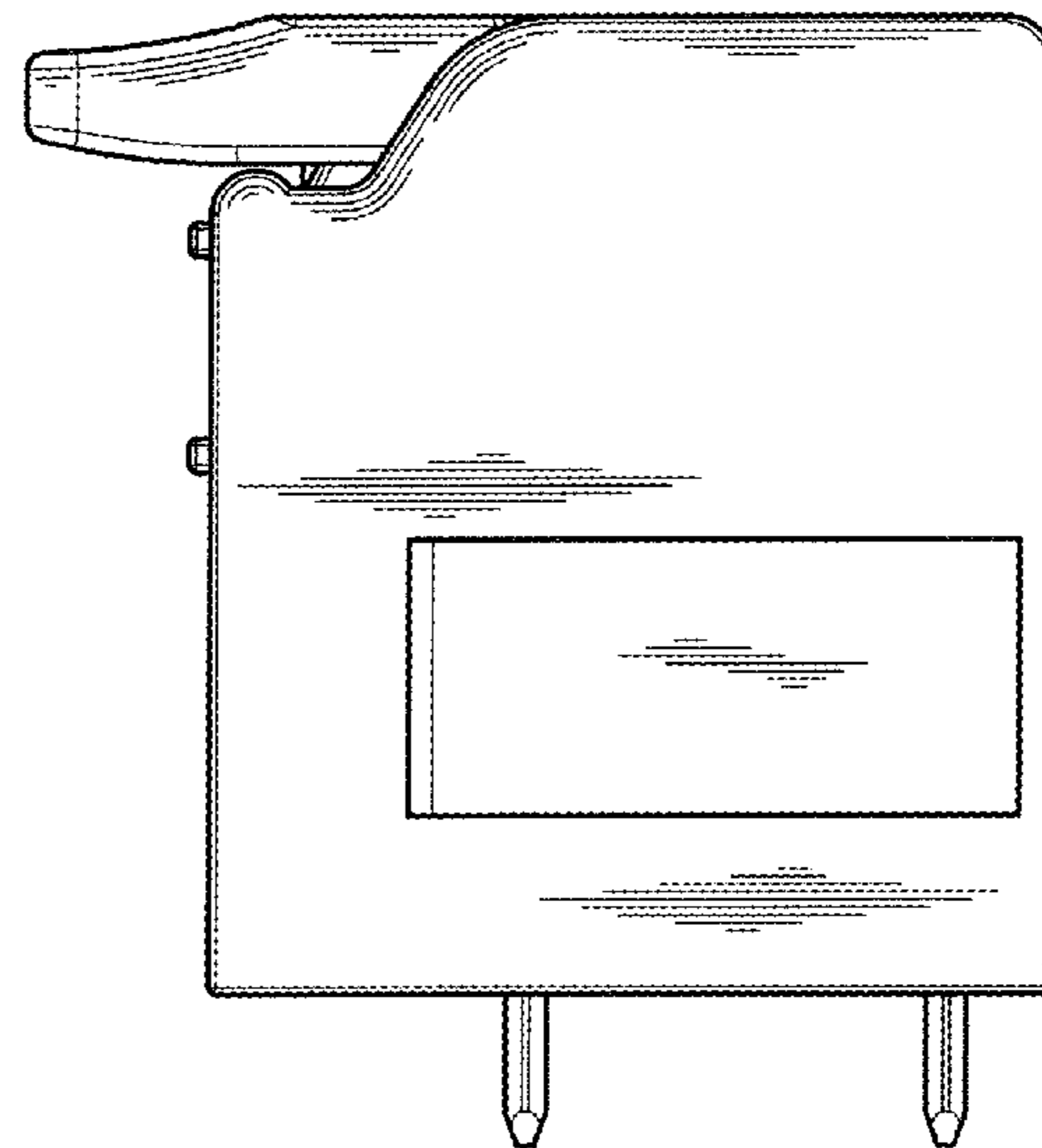
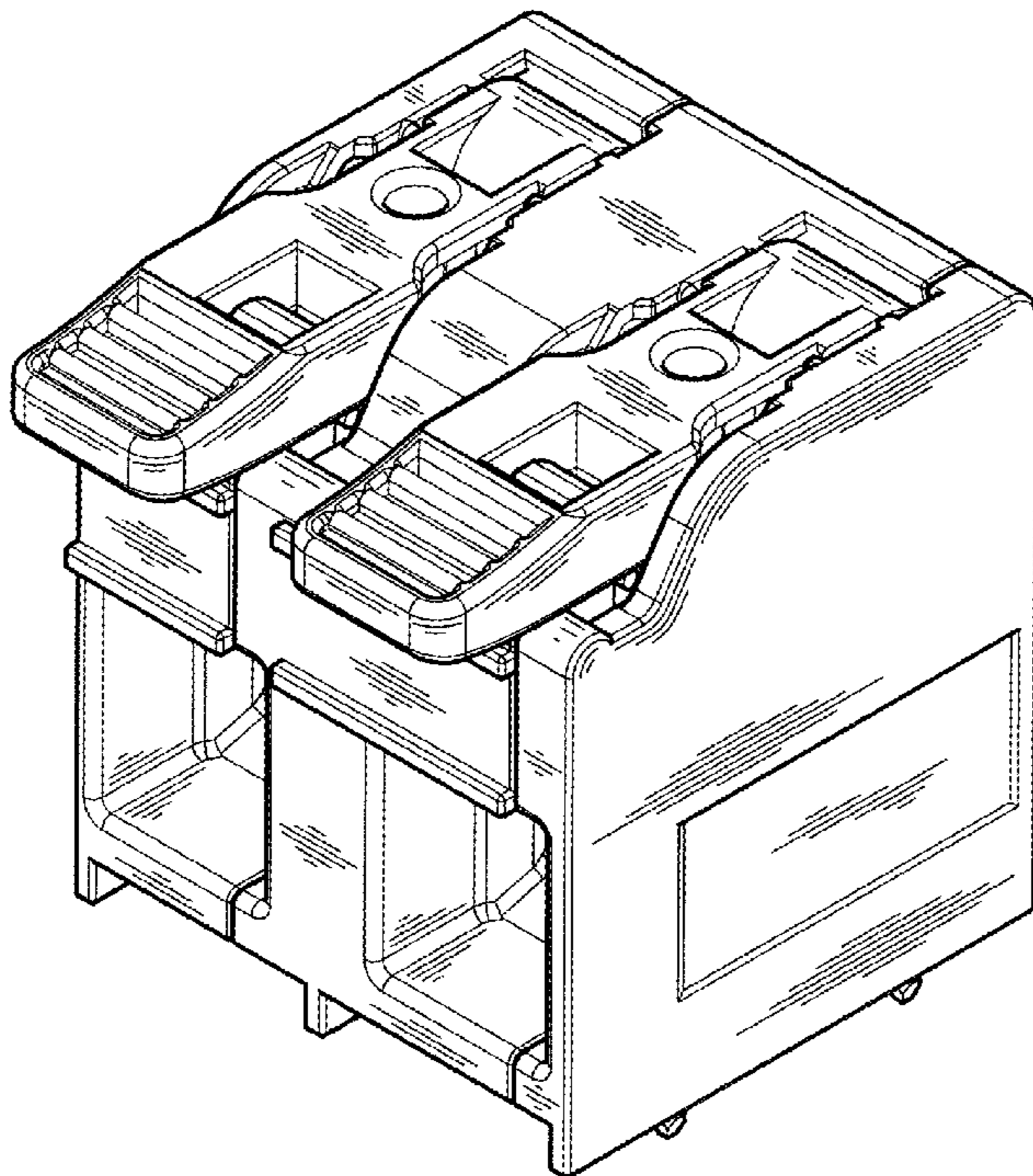
The ornamental design for an electrical wire connection terminal device, as shown and described.

**DESCRIPTION**

FIG. 1 is a front side perspective view showing our new design for an electrical wire connection terminal device; FIG. 2 is a front elevational view thereof; FIG. 3 is a rear elevational view thereof; FIG. 4 is a left side elevational view thereof; FIG. 5 is a right side elevational view thereof; FIG. 6 is a top view thereof; and, FIG. 7 is a bottom view thereof.

The broken line in the drawing views represents unclaimed environment only and forms no part of the claimed design.

**1 Claim, 4 Drawing Sheets**



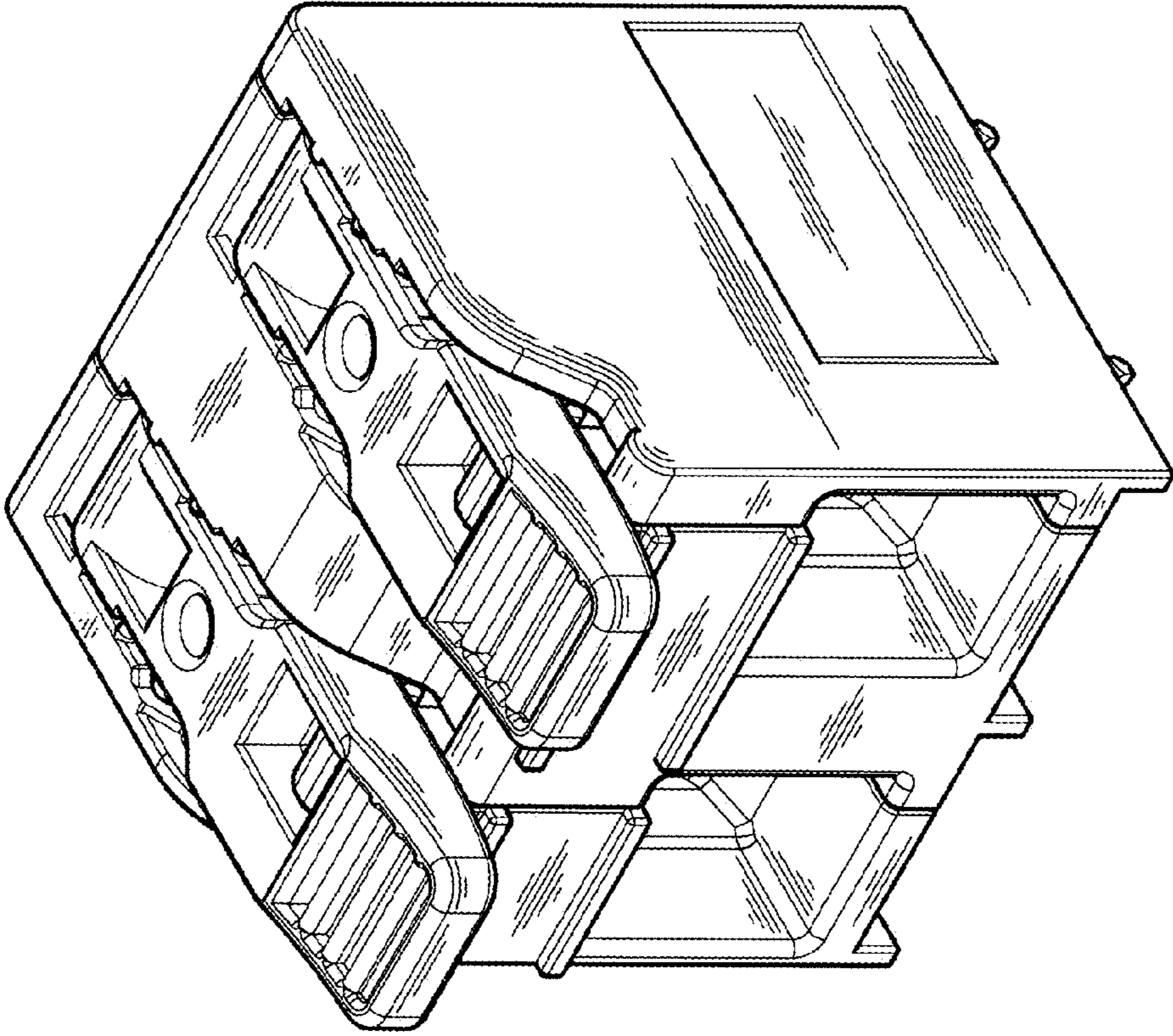


Fig. 1

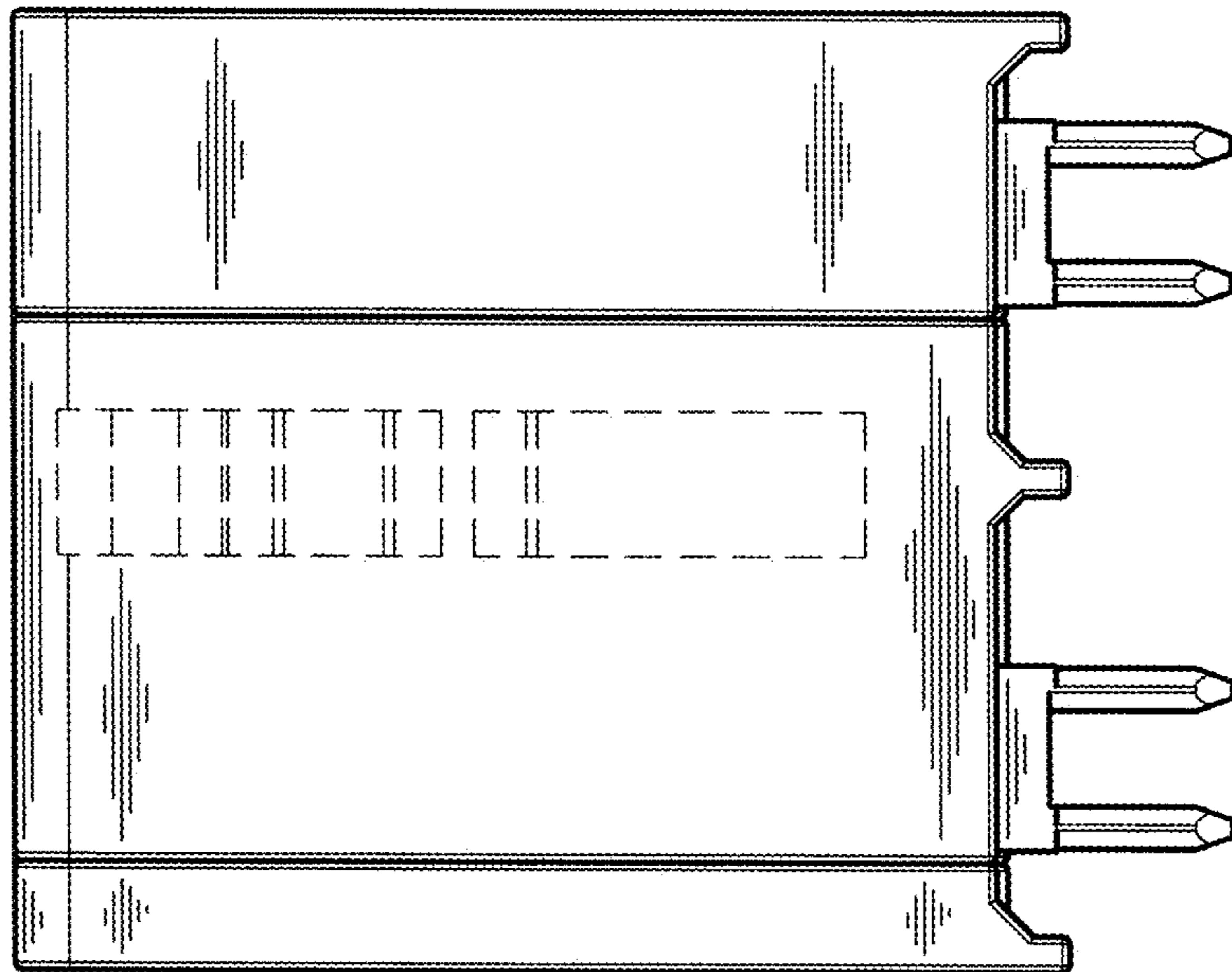


Fig. 3

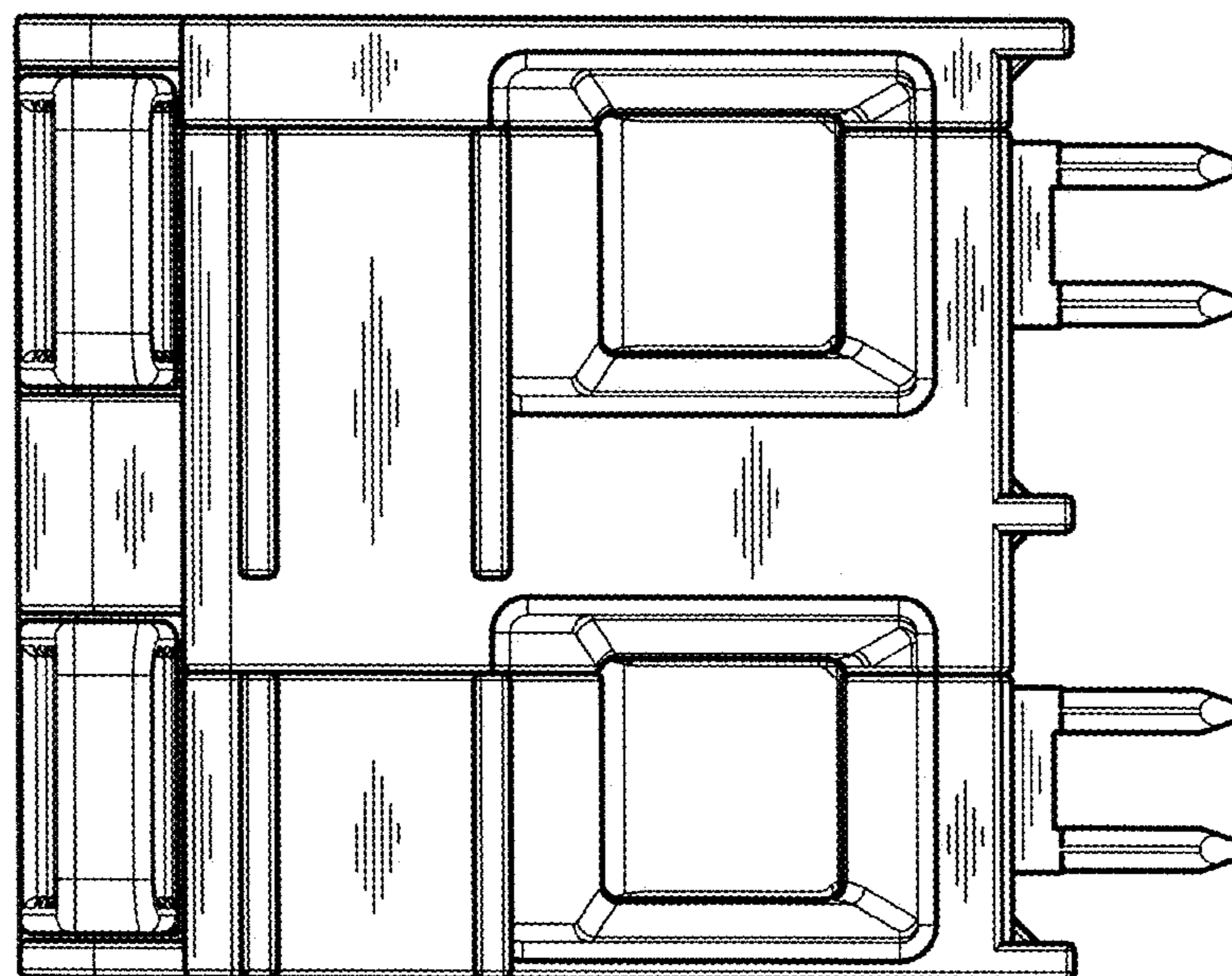


Fig. 2



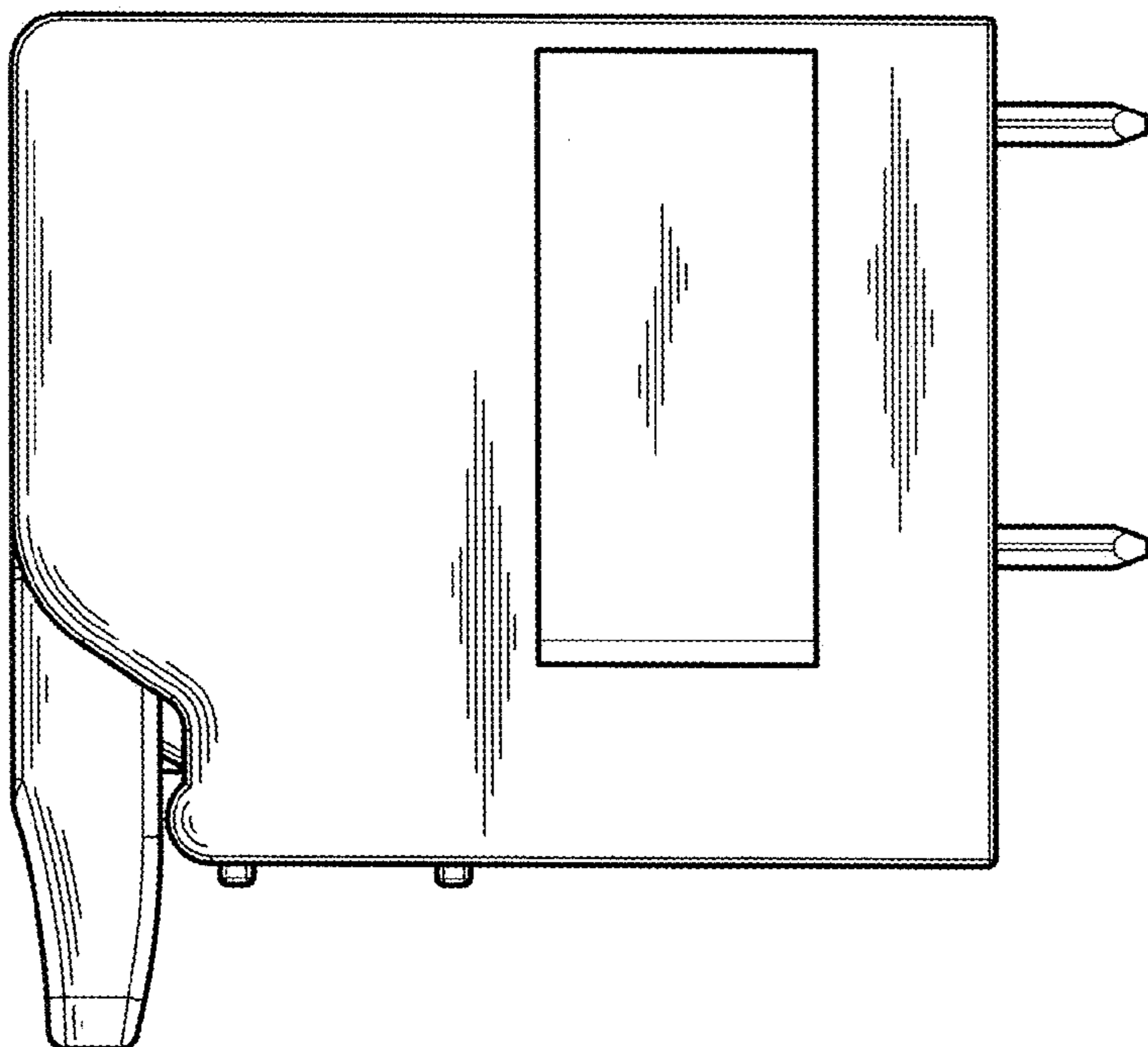


Fig. 5

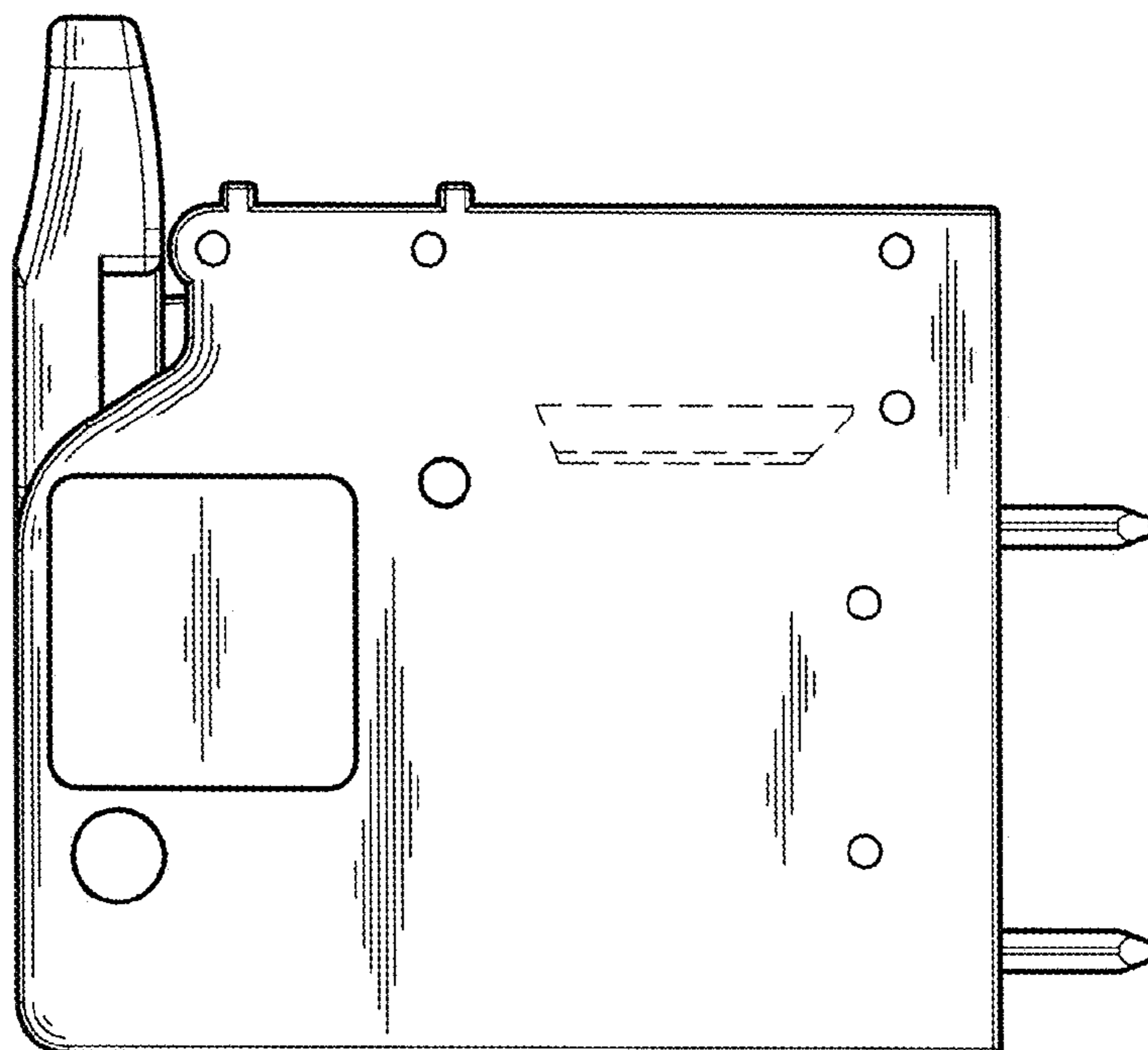


Fig. 4

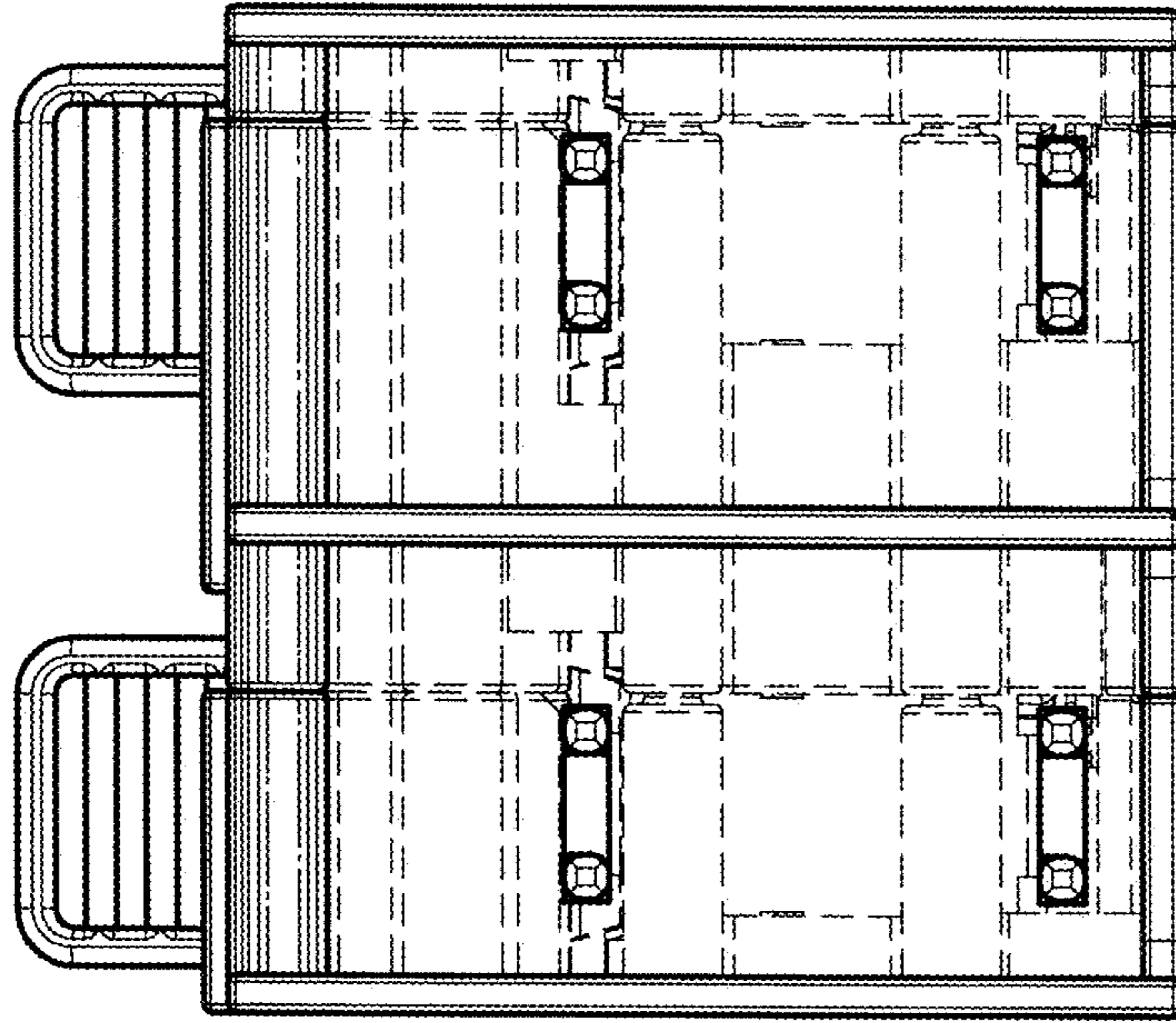


Fig. 7

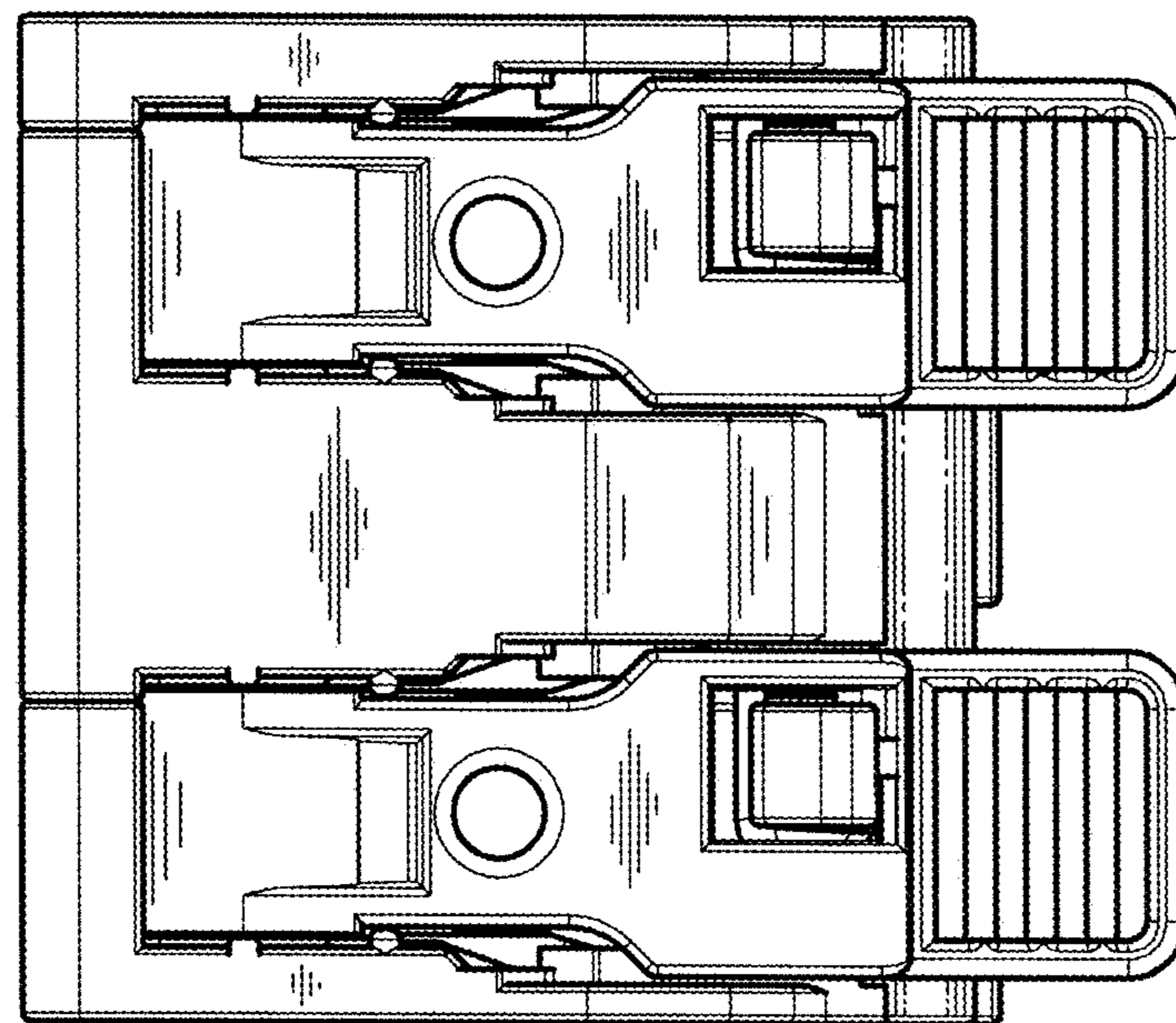


Fig. 6