



US00D756299S

(12) **United States Design Patent**  
**Seidl et al.**

(10) **Patent No.:** **US D756,299 S**

(45) **Date of Patent:** **\*\* May 17, 2016**

(54) **CHARGER**

(71) Applicant: **Raffel Systems, LLC**, Germantown, WI (US)

(72) Inventors: **Kenneth G. Seidl**, Port Washington, WI (US); **Torrin T. Santy**, West Bend, WI (US)

(73) Assignee: **RAFFEL SYSTEMS, LLC**, Germantown, WI (US)

(\*\*) Term: **14 Years**

(21) Appl. No.: **29/520,392**

(22) Filed: **Mar. 13, 2015**

(51) **LOC (10) Cl.** ..... **13-02**

(52) **U.S. Cl.**  
USPC ..... **D13/107**

(58) **Field of Classification Search**

USPC ..... D13/102–110, 118–119, 184, 199, 133, D13/144; D14/251, 253, 432, 434, 356, D14/155, 163, 176, 250; 439/300, 620.01, 439/638, 668–669, 675, 825; 320/107–115  
CPC ..... Y02E 60/12; Y02E 60/10; Y02E 6/0122; Y02E 60/124; Y02E 60/50; Y02T 90/14; Y02T 90/122; Y02T 90/128; Y02T 90/163; H02J 7/025; H02J 7/0042; H02J 7/0044; H02J 7/0045; H02J 7/0003; H01F 38/14; H01R 13/6675; H01M 2/1022; H01M 2/1055; H01M 10/44; H01M 10/46; H01M 10/425; B60L 11/182

See application file for complete search history.

(56) **References Cited**

U.S. PATENT DOCUMENTS

D531,117 S *	10/2006	Schrick .....	D13/103
D625,266 S *	10/2010	Bau .....	D13/108
D653,209 S *	1/2012	Lee .....	D13/110
D677,621 S *	3/2013	Beroukas .....	D13/107
D678,190 S *	3/2013	Beroukas .....	D13/107
D678,207 S *	3/2013	McSweyn .....	D13/144
D729,163 S *	5/2015	Meyer .....	D13/107
D730,284 S *	5/2015	Dorn .....	D13/108
2014/0141653 A1 *	5/2014	Hsieh .....	H01R 31/065 439/638

\* cited by examiner

*Primary Examiner* — Rosemary K Tarcza

*Assistant Examiner* — Sanjeev Paul

(74) *Attorney, Agent, or Firm* — Tyler J. Sisk; Casimir Jones, S.C.

(57) **CLAIM**

The ornamental design for a charger, as shown and described.

**DESCRIPTION**

FIG. 1 is a three-quarter perspective view showing our new design of a charger;  
FIG. 2 is a front elevational view thereof;  
FIG. 3 is a rear elevational view thereof;  
FIG. 4 is a left side elevational view thereof;  
FIG. 5 is a right side elevational view thereof;  
FIG. 6 is a top plan view thereof; and,  
FIG. 7 is a bottom plan view thereof.  
The broken lines shown in FIGS. 1 through 7 are for the purpose of illustrating environment, and form no part of the claimed design.

**1 Claim, 7 Drawing Sheets**

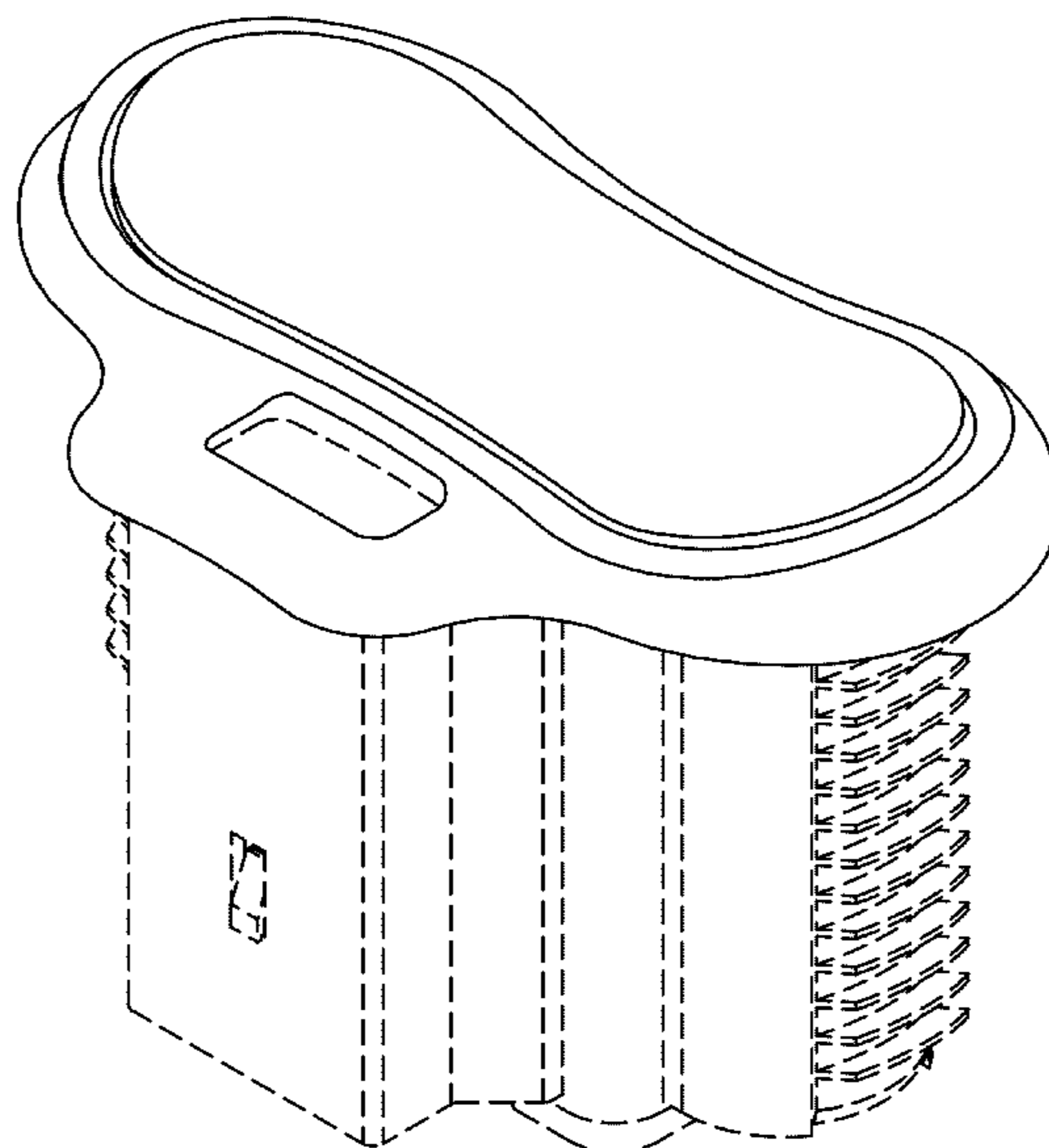


FIG. 1

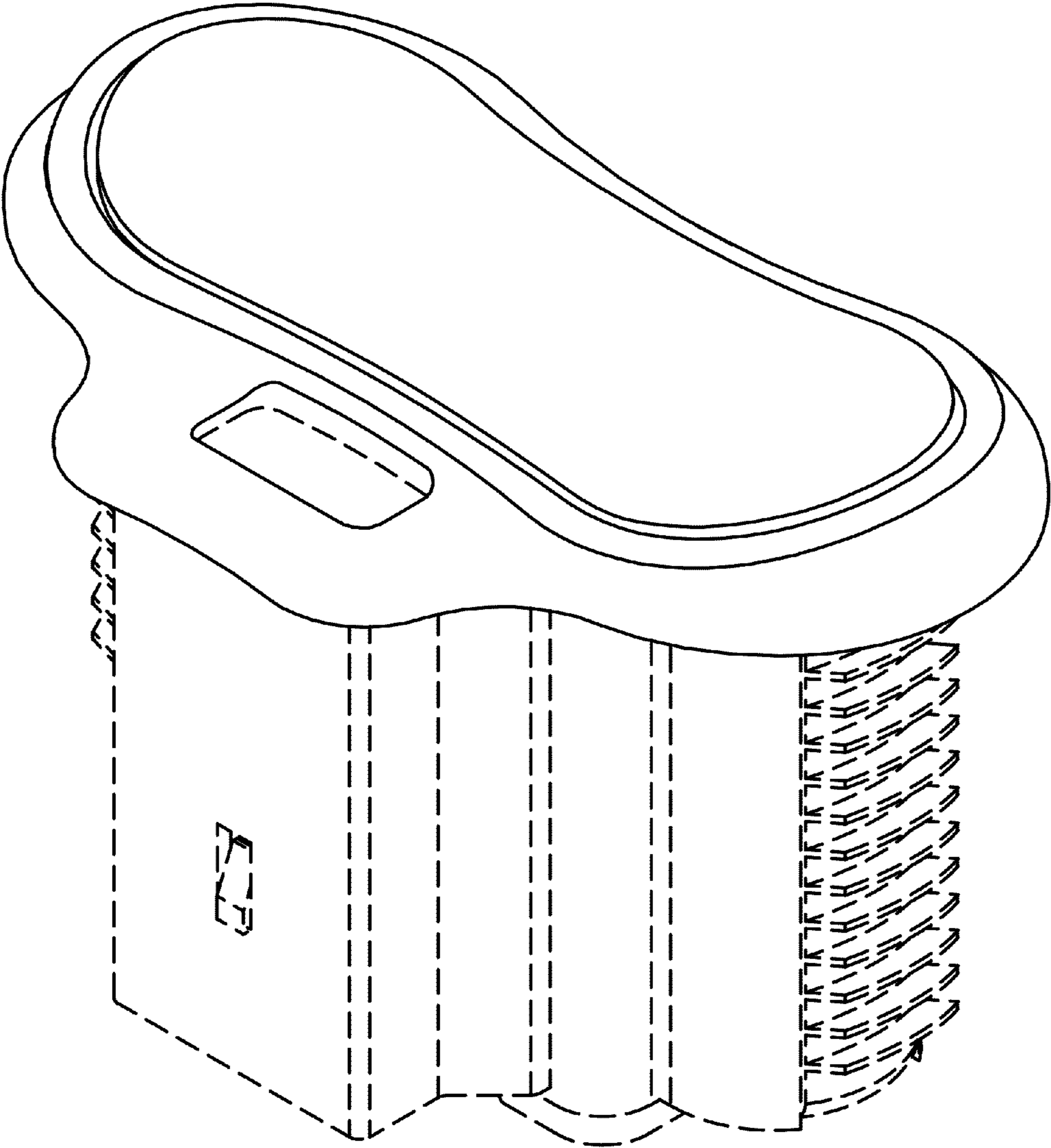


FIG. 2

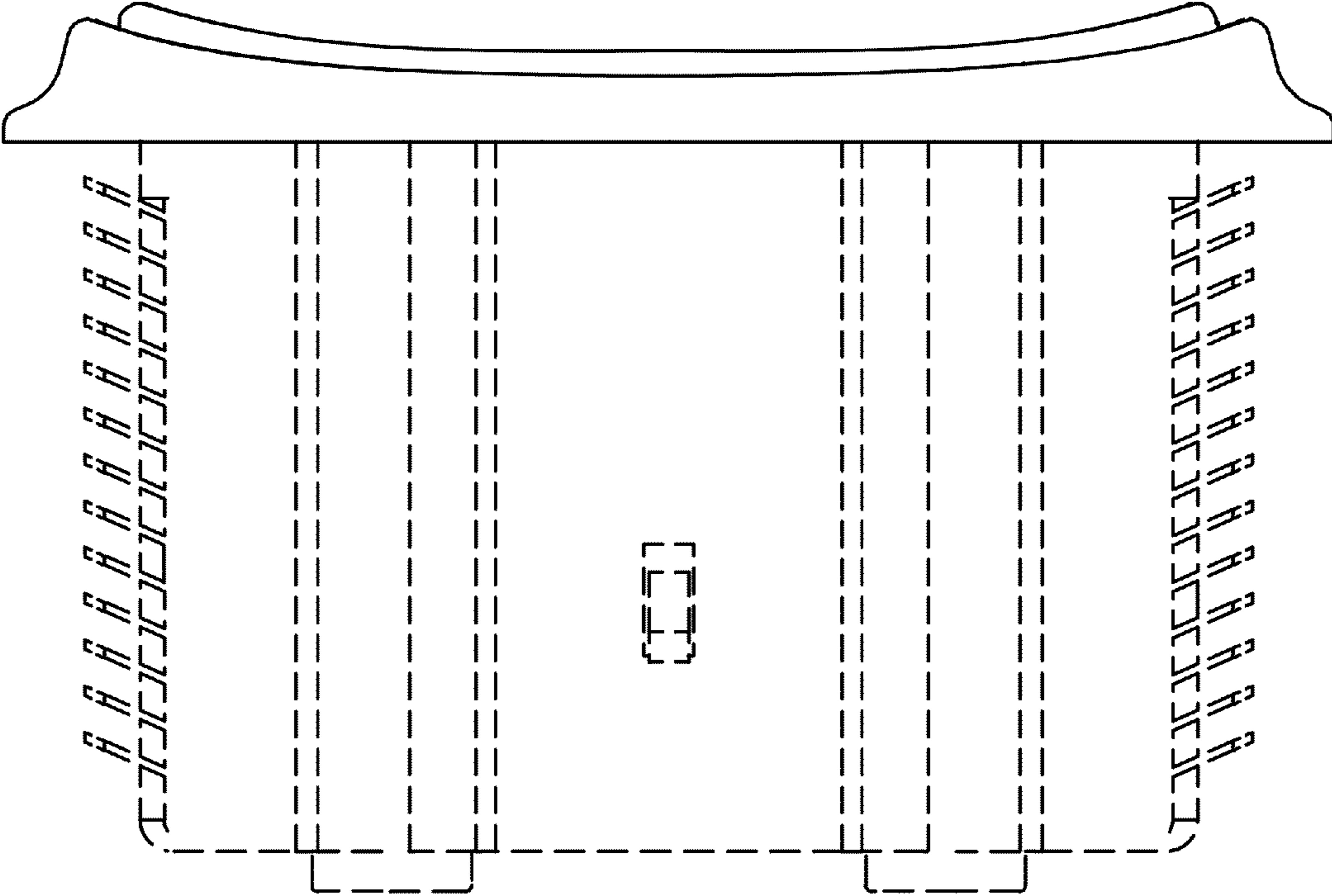


FIG. 3

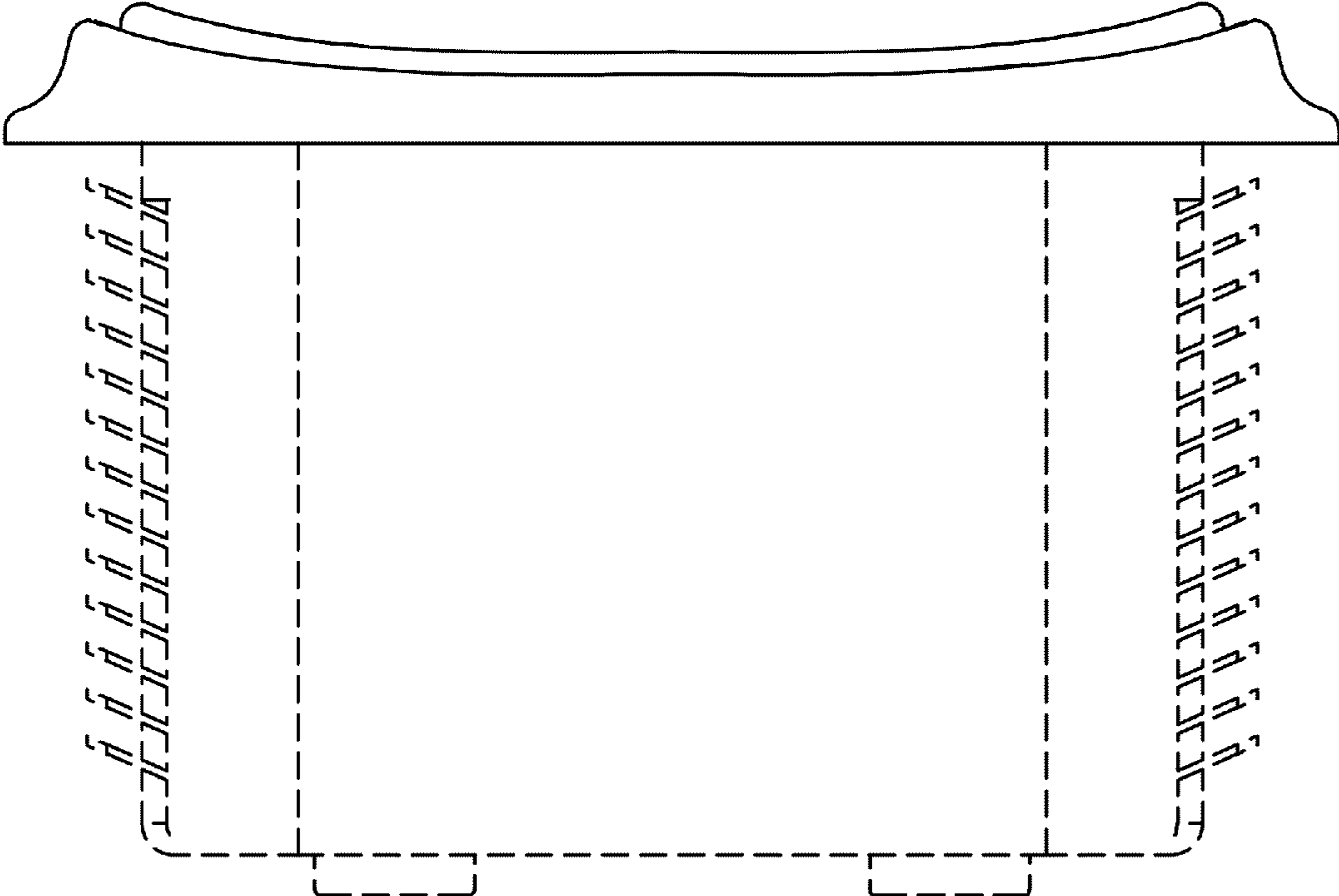


FIG. 4

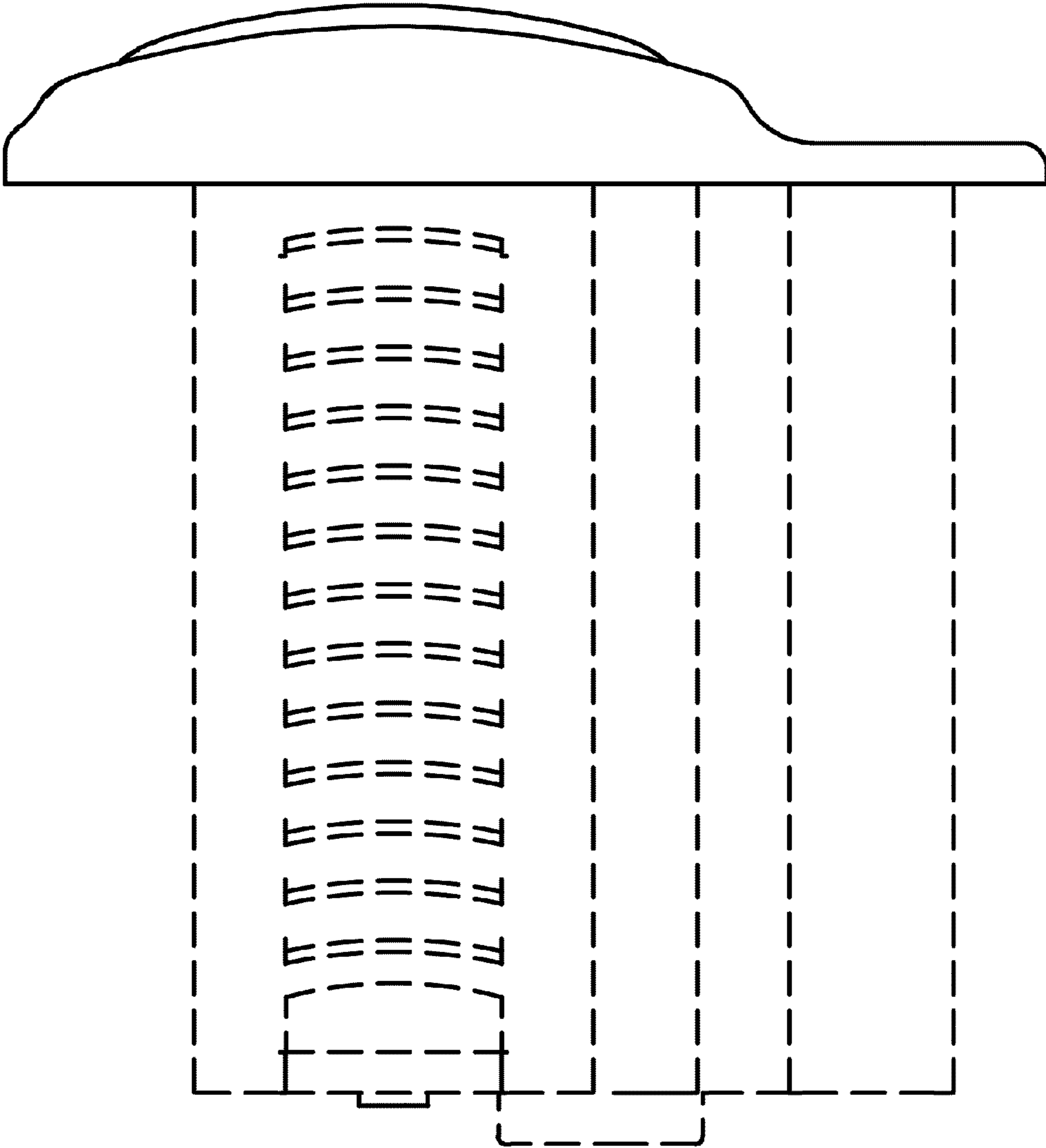


FIG. 5

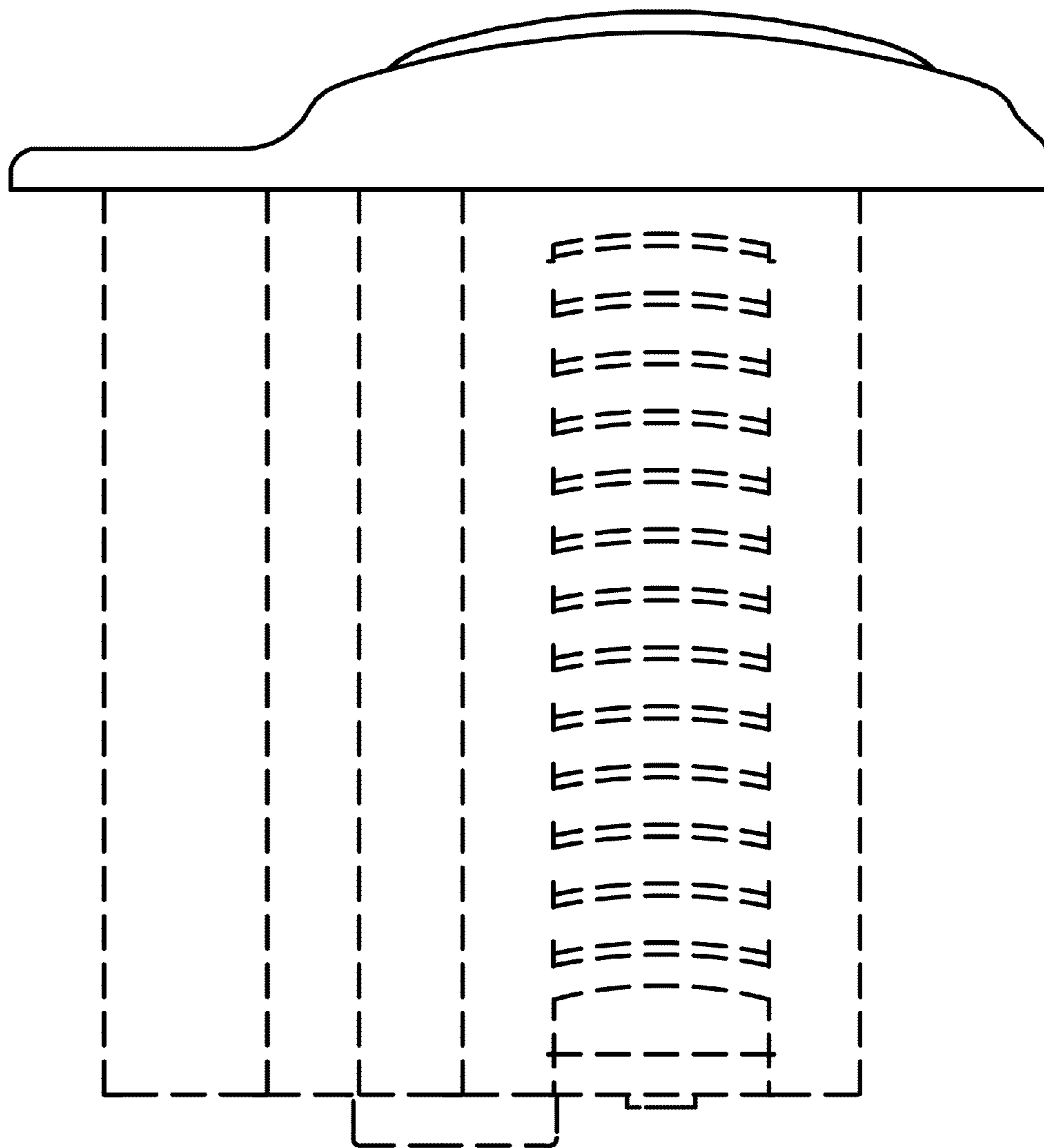




FIG. 6

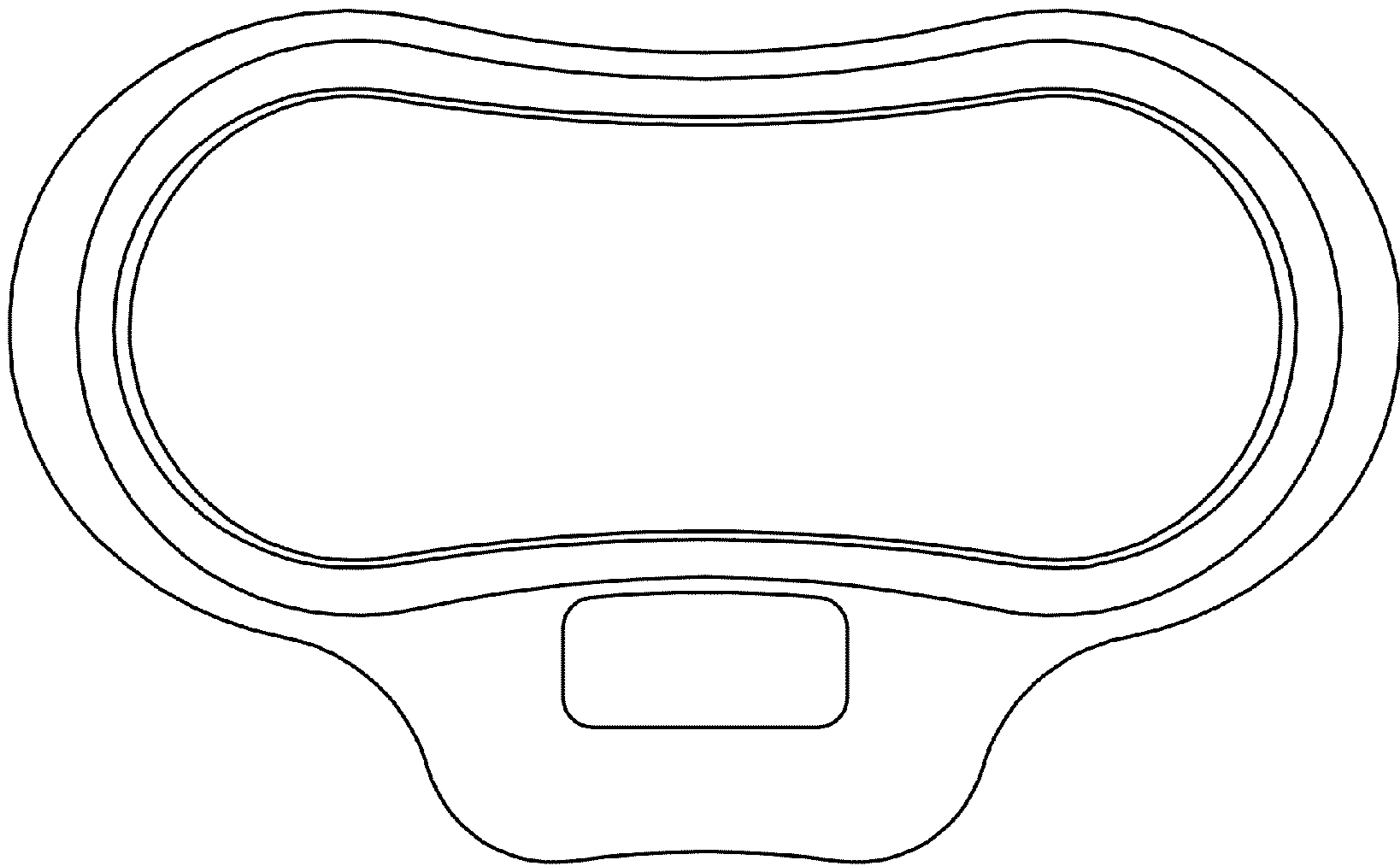


FIG. 7

