

US00D756298S

(12) **United States Design Patent**  
**Dorn et al.**

(10) **Patent No.:** **US D756,298 S**

(45) **Date of Patent:** **\*\* May 17, 2016**

(54) **CHARGER**

(71) Applicant: **Raffel Systems, LLC**, Germantown, WI (US)

(72) Inventors: **Douglas A. Dorn**, Brookfield, WI (US);  
**Paul F. Stangl**, West Bend, WI (US)

(73) Assignee: **RAFFEL SYSTEMS, LLC**,  
Germantown, WI (US)

(\*\*) Term: **14 Years**

(21) Appl. No.: **29/520,391**

(22) Filed: **Mar. 13, 2015**

(51) **LOC (10) Cl.** ..... **13-02**

(52) **U.S. Cl.**  
USPC ..... **D13/107**

(58) **Field of Classification Search**

USPC ..... D13/102-110, 118-119, 184, 199, 133,  
D13/144; D14/251, 253, 432, 434, 356,  
D14/155, 163, 176, 250; 439/300, 620.01,  
439/638, 668-669, 675, 825; 320/107-115  
CPC ..... Y02E 60/12; Y02E 60/10; Y02E 60/122;  
Y02E 60/124; Y02E 60/50; Y02T 90/14;  
Y02T 90/122; Y02T 90/128; Y02T 90/163;  
H02J 7/025; H02J 7/0042; H02J 7/0044;  
H02J 7/0045; H02J 7/0003; H01F 3/14;  
H01R 13/6675; H01M 2/1022; H01M 2/1055;  
H01M 10/44; H01M 10/46; H01M 10/425;  
B60L 11/182

See application file for complete search history.

(56) **References Cited**

U.S. PATENT DOCUMENTS

D678,190 S \* 3/2013 Beroukas ..... D13/107  
D729,163 S \* 5/2015 Meyer ..... D13/107  
D730,284 S \* 5/2015 Dorn ..... D13/108

\* cited by examiner

*Primary Examiner* — Rosemary K Tarcza

*Assistant Examiner* — Sanjeev Paul

(74) *Attorney, Agent, or Firm* — Tyler J. Sisk; Casimir Jones,  
S.C.

(57) **CLAIM**

The ornamental design for a charger, as shown and described.

**DESCRIPTION**

FIG. 1 is a three-quarter perspective view showing our new design of a charger;  
FIG. 2 is a front elevational view thereof, the rear elevational view being identical;  
FIG. 3 is a left side elevational view thereof, the right side elevational view being identical,  
FIG. 4 is a top plan view thereof; and,  
FIG. 5 is a bottom plan view thereof.  
The broken lines shown in FIGS. 1 through 5 are for the purpose of illustrating environment, and form no part of the claimed design.

**1 Claim, 5 Drawing Sheets**

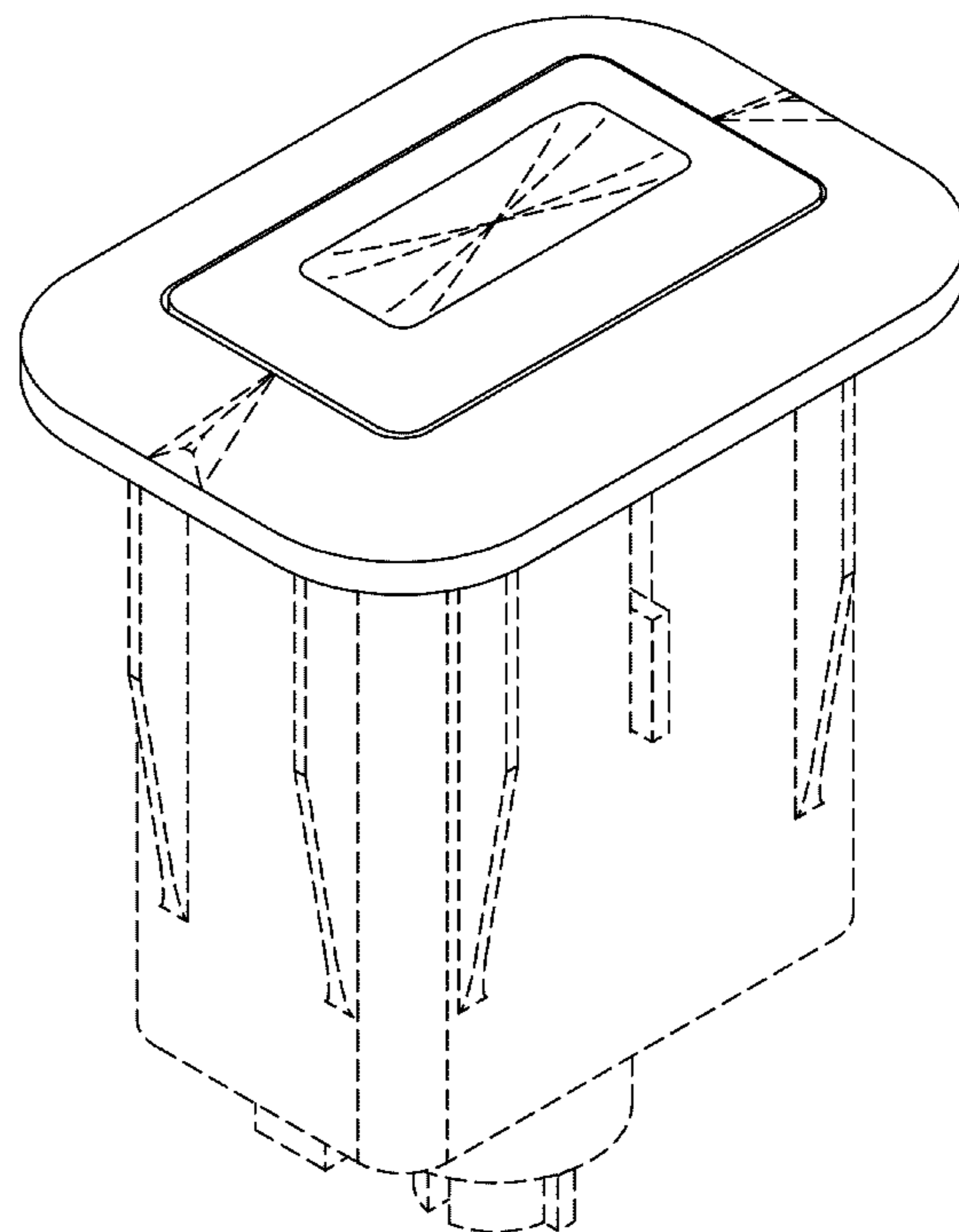


FIG. 1

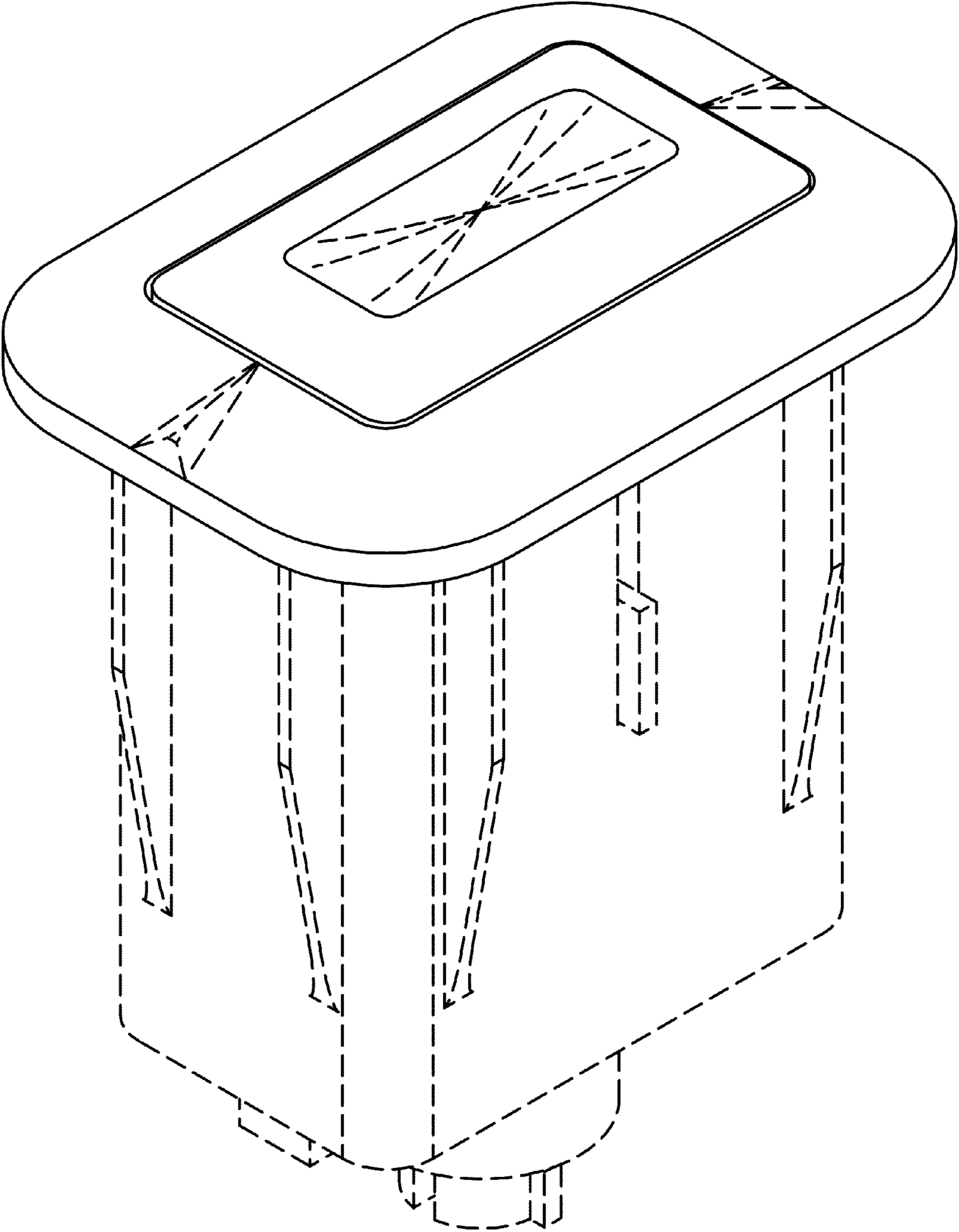


FIG. 2

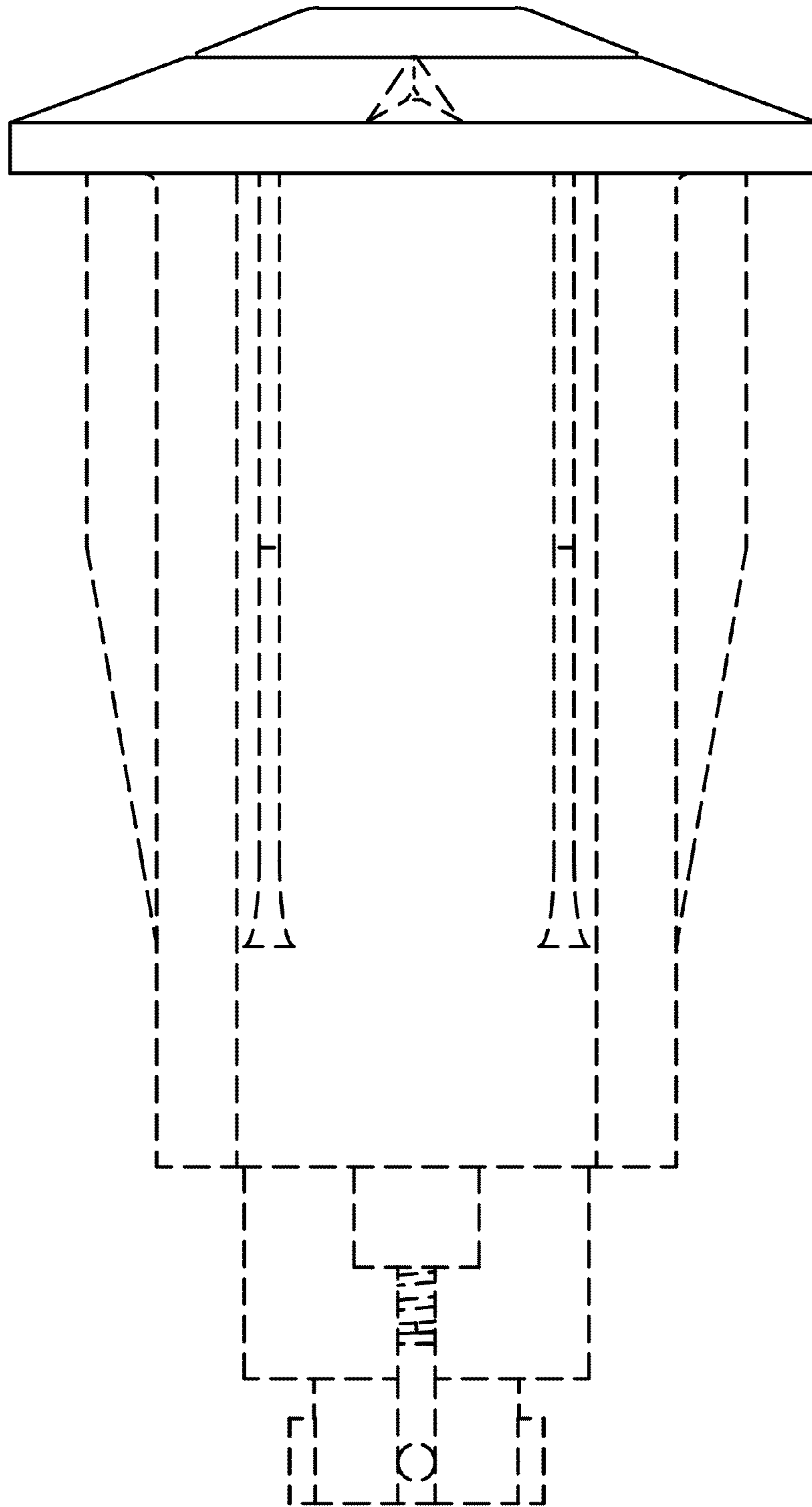


FIG. 3

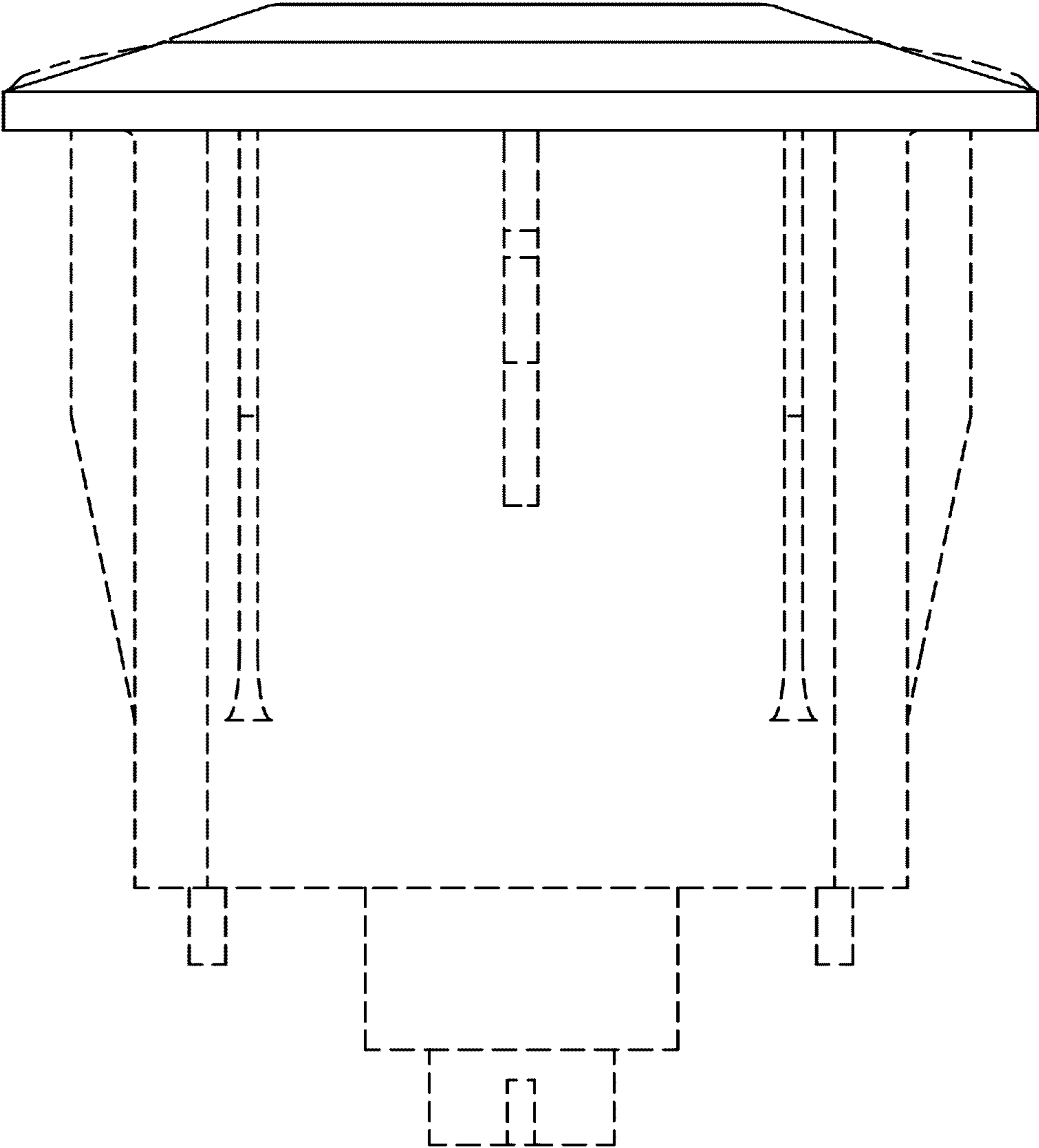


FIG. 4

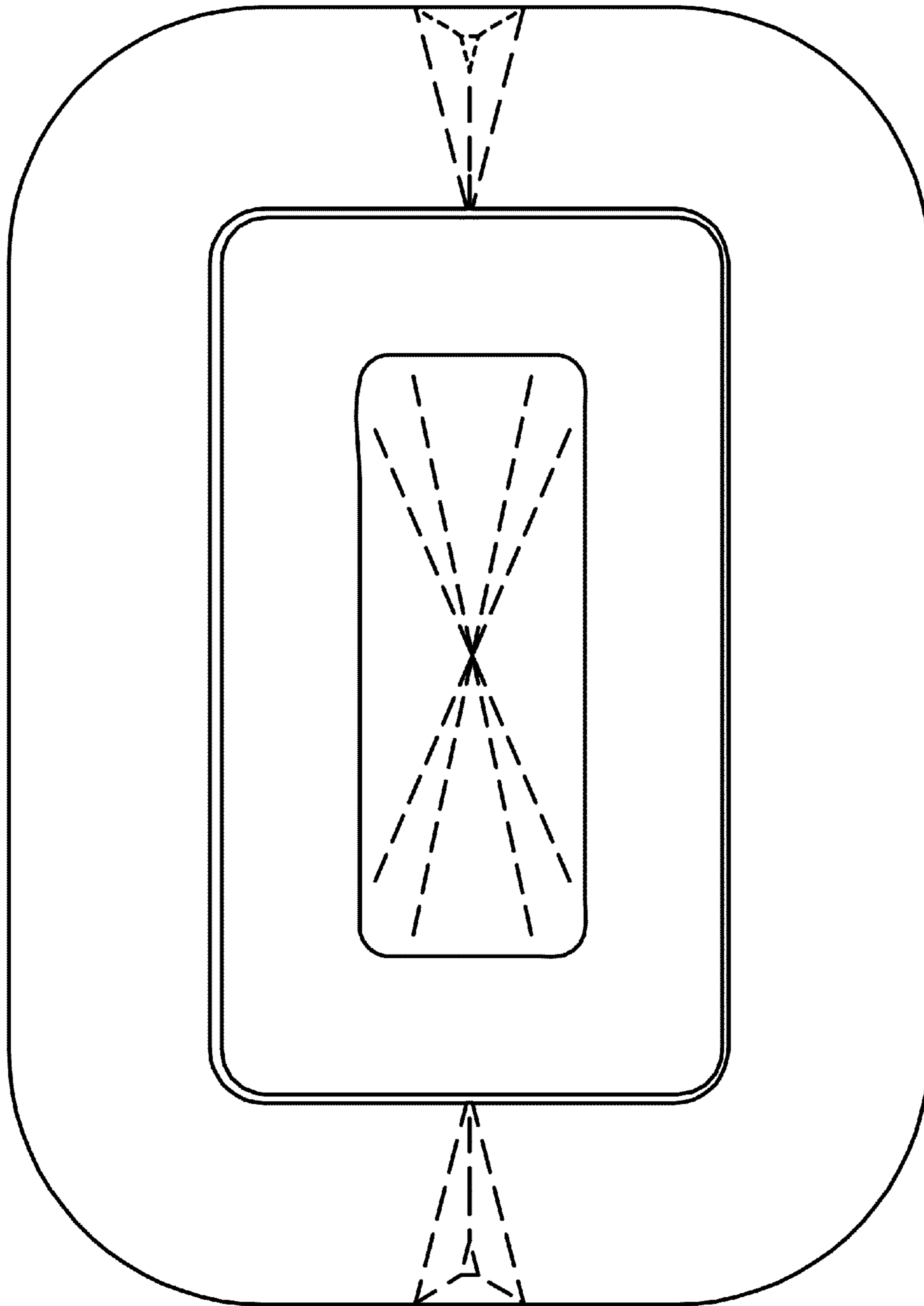


FIG. 5

