



US00D756291S

(12) **United States Design Patent**  
**Masanek, Jr. et al.**

(10) **Patent No.:** **US D756,291 S**  
(45) **Date of Patent:** **\*\* May 17, 2016**

(54) **CARGO ORGANIZER**  
(71) Applicant: **MacNeil IP LLC**, Bolingbrook, IL (US)  
(72) Inventors: **Frederick W. Masanek, Jr.**, Barrington, IL (US); **David F. MacNeil**, Hinsdale, IL (US); **David S. Iverson**, Hinsdale, IL (US)  
(\*\*) Term: **14 Years**

6,109,847	A	8/2000	Patel et al.	
6,244,802	B1	6/2001	Stanesic et al.	
D450,291	S *	11/2001	Wang .....	D12/426
D458,210	S *	6/2002	Kanczuzewski .....	D12/426
D466,074	S *	11/2002	Hoy .....	D12/426
6,702,532	B1	3/2004	Throener	
D546,271	S *	7/2007	Hanson .....	D12/426
7,306,416	B1	12/2007	Arico	
D729,723	S *	5/2015	Reed .....	D12/426
9,067,521	B1 *	6/2015	Masanek, Jr. ....	B60P 7/0892
D738,809	S *	9/2015	Thom .....	D12/426
2014/0054345	A1 *	2/2014	Thom .....	B60R 7/02 224/542

(21) Appl. No.: **29/495,484**  
(22) Filed: **Jul. 1, 2014**  
(51) **LOC (10) Cl.** ..... **12-19**  
(52) **U.S. Cl.**  
USPC ..... **D12/426**  
(58) **Field of Classification Search**  
USPC ..... D12/426, 400, 406, 415-420, 424, 425  
CPC ..... B63B 7/085; B63B 25/00; B60R 16/04;  
B60R 17/00  
See application file for complete search history.

**OTHER PUBLICATIONS**

MacNeil IP LLC, Cargo Organizer, Design U.S. Appl. No. 29/471,508, filed with the U.S. Patent and Trademark Office on on Nov. 1, 2013.

\* cited by examiner

*Primary Examiner* — Katrina A Betton  
(74) *Attorney, Agent, or Firm* — Perkins IP Law Group LLC; Jefferson Perkins

(56) **References Cited**  
U.S. PATENT DOCUMENTS

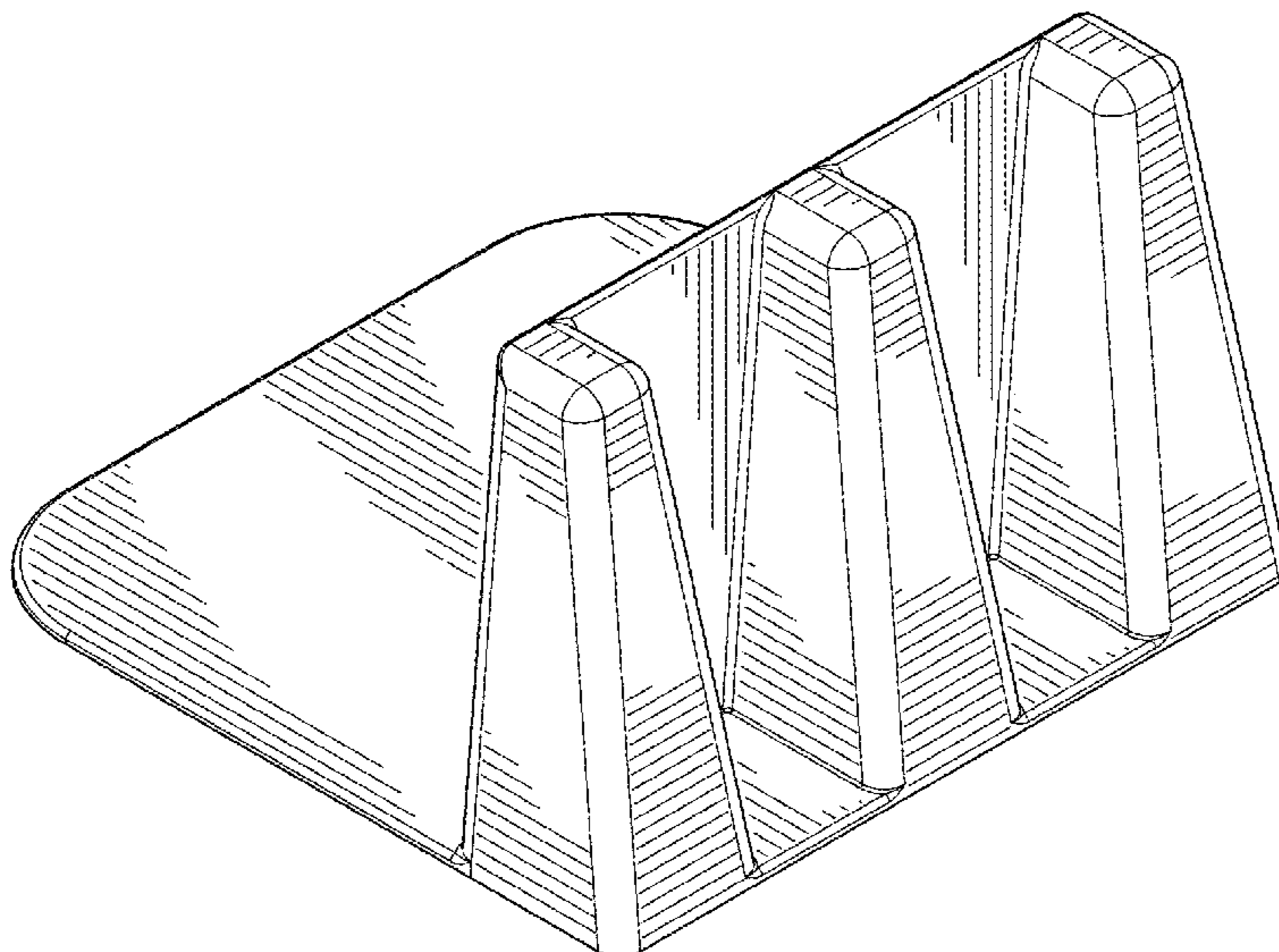
4,540,213	A *	9/1985	Herlitz .....	B60R 7/02 211/195
4,842,460	A	6/1989	Schlesch	
5,161,700	A	11/1992	Stannis et al.	
5,392,972	A	2/1995	Caruso et al.	
5,601,271	A	2/1997	Janowski et al.	
5,603,439	A *	2/1997	Pineda .....	B60R 7/02 224/281
5,655,863	A	8/1997	Mundt	
5,662,305	A	9/1997	Shimamura et al.	
5,865,580	A	2/1999	Lawrence	
6,012,885	A	1/2000	Taylor et al.	
6,041,987	A *	3/2000	Tickoo .....	B60R 7/02 220/8

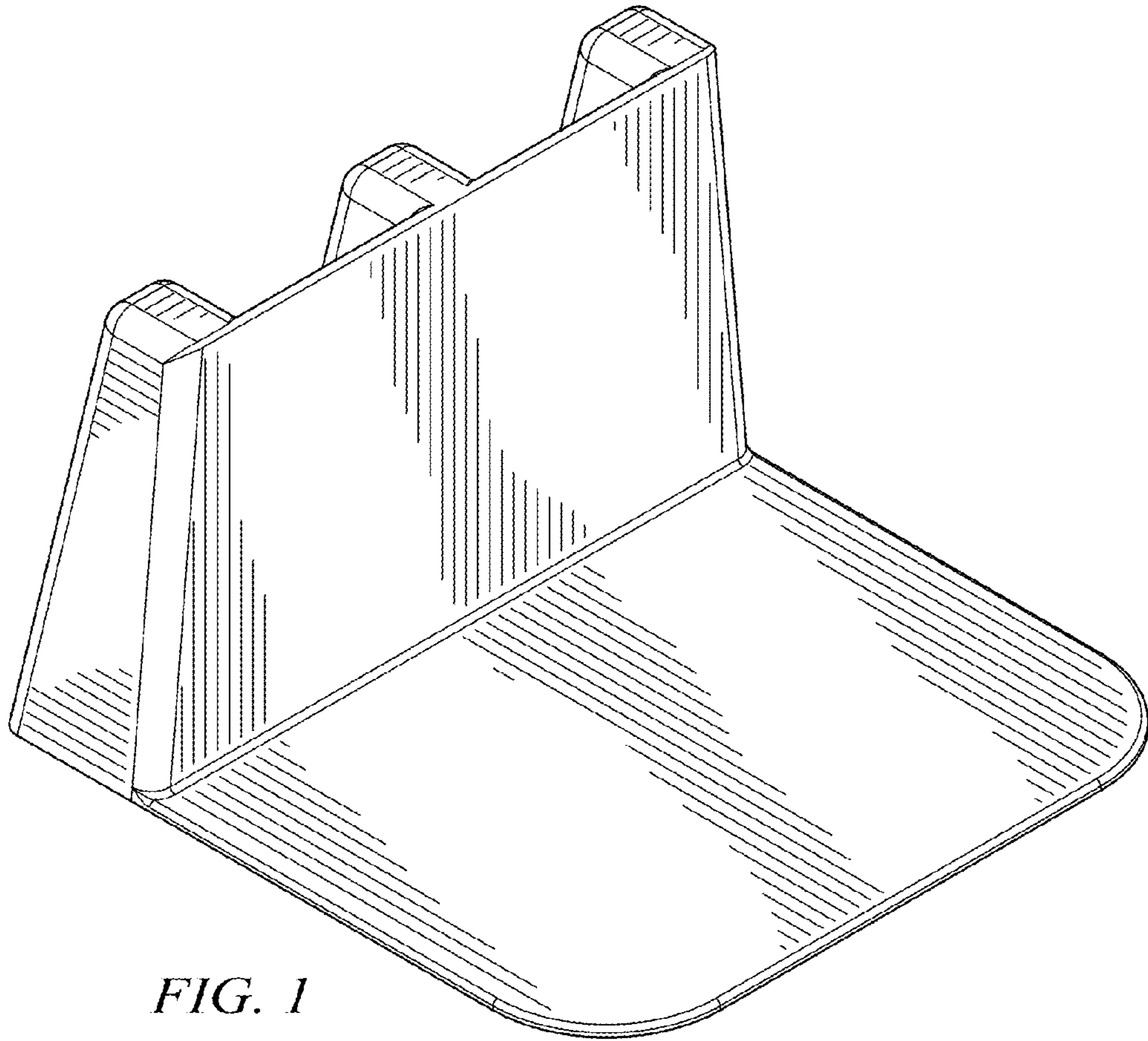
(57) **CLAIM**  
The ornamental design for a cargo organizer, as shown and described.

**DESCRIPTION**

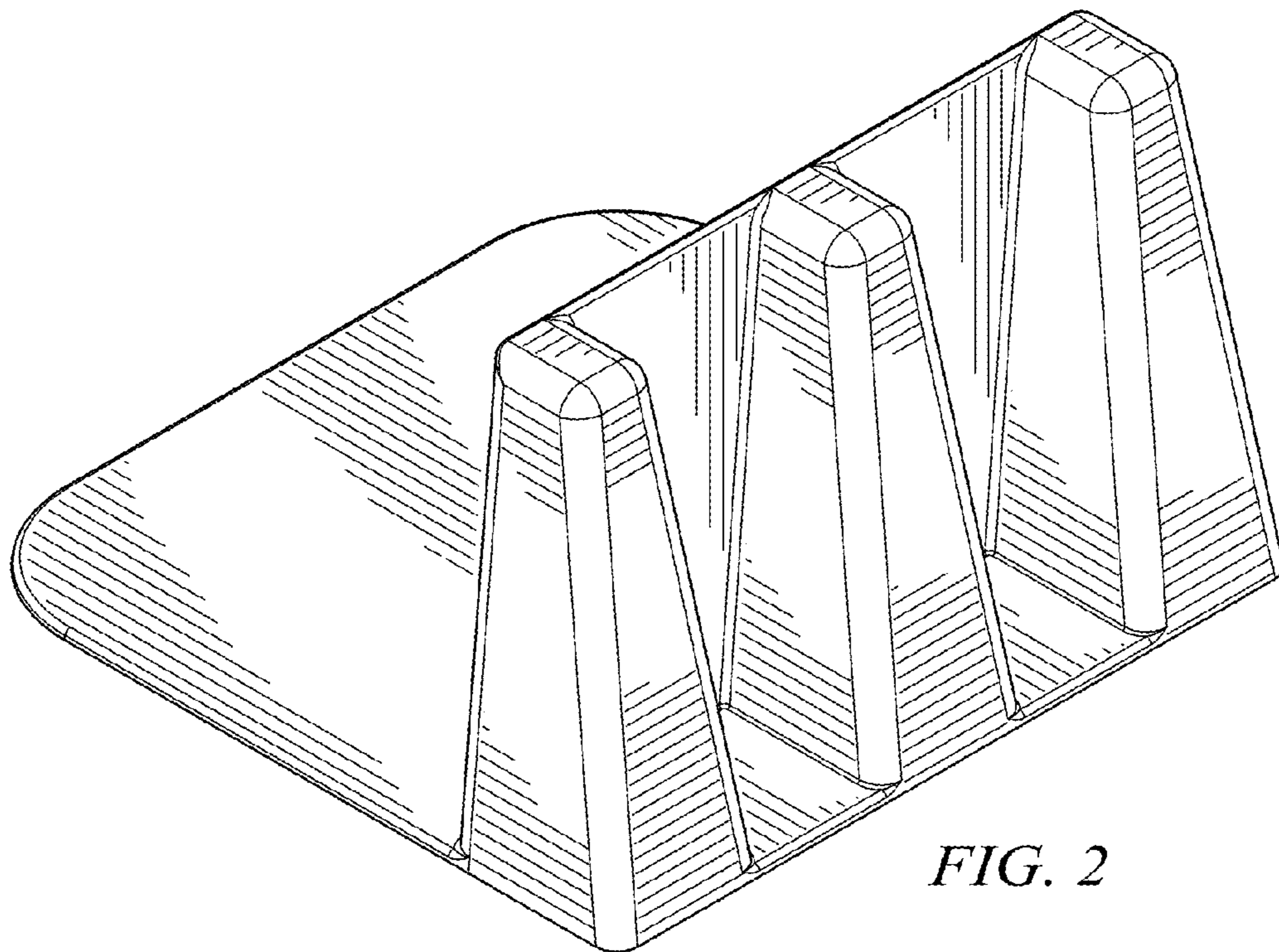
FIG. 1 is a perspective view of my design;  
FIG. 2 is a second perspective view of the design shown in FIG. 1;  
FIG. 3 is a plan view of the design shown in FIG. 1; and,  
FIG. 4 is a bottom perspective view thereof.  
The broken lines in FIG. 4 illustrate the portions of the cargo organizer that form no part of the claimed design.

**1 Claim, 2 Drawing Sheets**

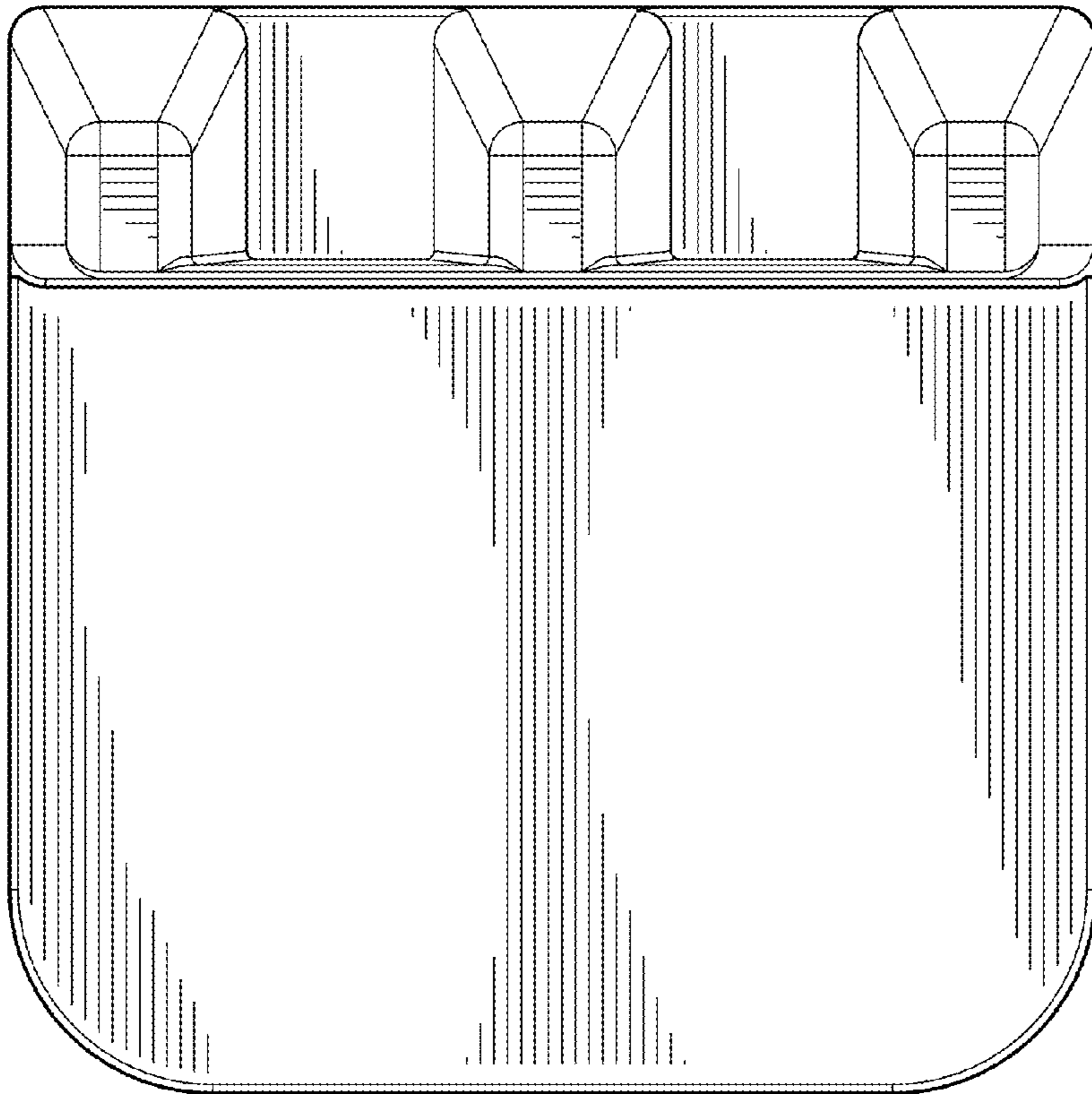




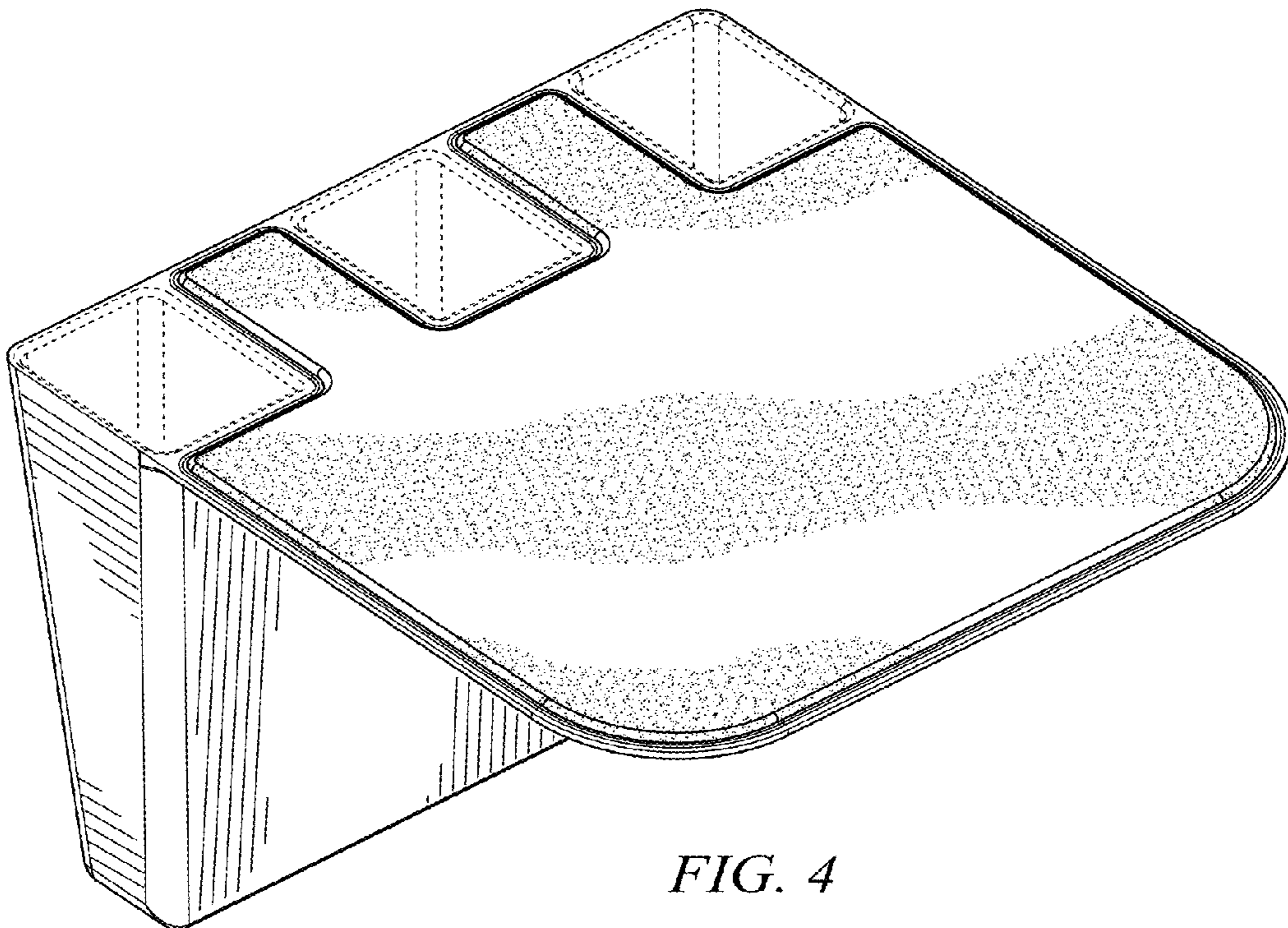
*FIG. 1*



*FIG. 2*



*FIG. 3*



*FIG. 4*