



US00D756287S

(12) **United States Design Patent**
Koglin

(10) **Patent No.:** **US D756,287 S**
(45) **Date of Patent:** **** May 17, 2016**

(54) **VEHICLE WHEEL RIM**

(71) Applicant: **AUDI AG**, Ingolstadt (DE)

(72) Inventor: **Andreas Joachim Koglin**, Wettstetten (DE)

(73) Assignee: **AUDI AG**, Ingolstadt (DE)

(**) Term: **14 Years**

(21) Appl. No.: **29/526,580**

(22) Filed: **May 11, 2015**

(30) **Foreign Application Priority Data**

Nov. 10, 2014 (EM) 002 575 316-0003

(51) **LOC (10) Cl.** **12-16**

(52) **U.S. Cl.**
USPC **D12/211**

(58) **Field of Classification Search**
USPC D12/204-213
CPC B60B 7/00; B60B 7/02; B60B 7/04;
B60B 7/01; B60B 7/06; B60B 3/02; B60B
3/04; B60B 3/06; B60B 3/10; B60B 1/00;
B60B 1/08; B60B 1/10; B60B 1/12
See application file for complete search history.

(56) **References Cited**

U.S. PATENT DOCUMENTS

D527,334 S * 8/2006 Hettler D12/211
D569,322 S * 5/2008 Scheu D12/211

D588,517 S * 3/2009 Aroney D12/211
D590,322 S * 4/2009 Rak D12/211
D614,114 S * 4/2010 Kim D12/211
D644,589 S * 9/2011 Fisker D12/211
D655,657 S * 3/2012 Juergens D12/209
D660,767 S * 5/2012 von Holzhausen D12/209
D666,958 S * 9/2012 Suzuki D12/211
D678,164 S * 3/2013 Badstuebner D12/211
D686,132 S * 7/2013 Truebsbach D12/209
D686,134 S * 7/2013 Amezketa D12/211
D691,081 S * 10/2013 Watkin D12/211
D695,186 S * 12/2013 Pollmann D12/209
D697,861 S * 1/2014 Lemke D12/211
D702,614 S * 4/2014 Lemke D12/211
D708,110 S * 7/2014 Borkert D12/211
D726,091 S * 4/2015 Mays D12/211
D726,628 S * 4/2015 Kong D12/211

* cited by examiner

Primary Examiner — Stacia Cadmus

(74) *Attorney, Agent, or Firm* — Lucas & Mercanti, LLP;
Klaus P. Stoffel

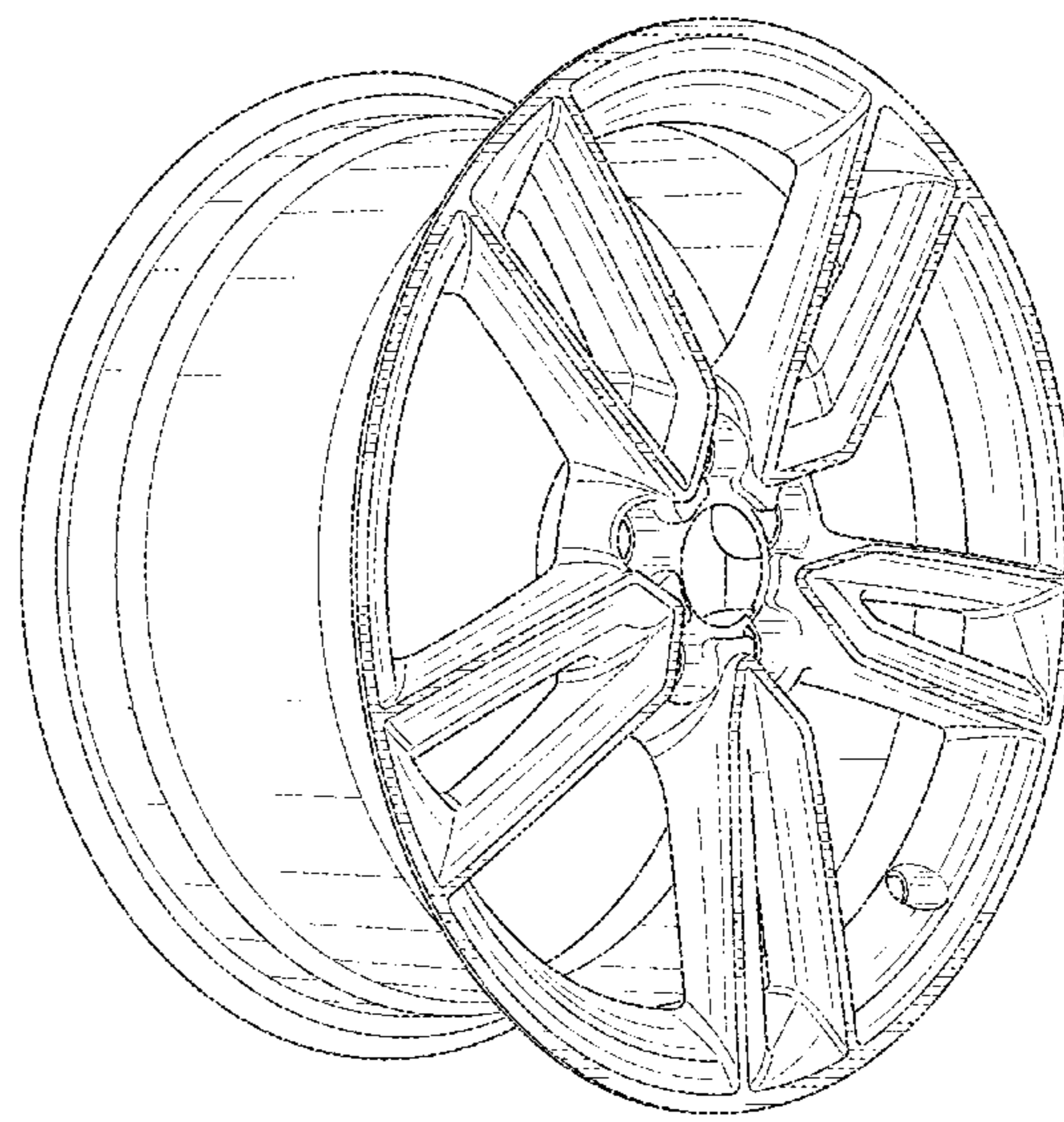
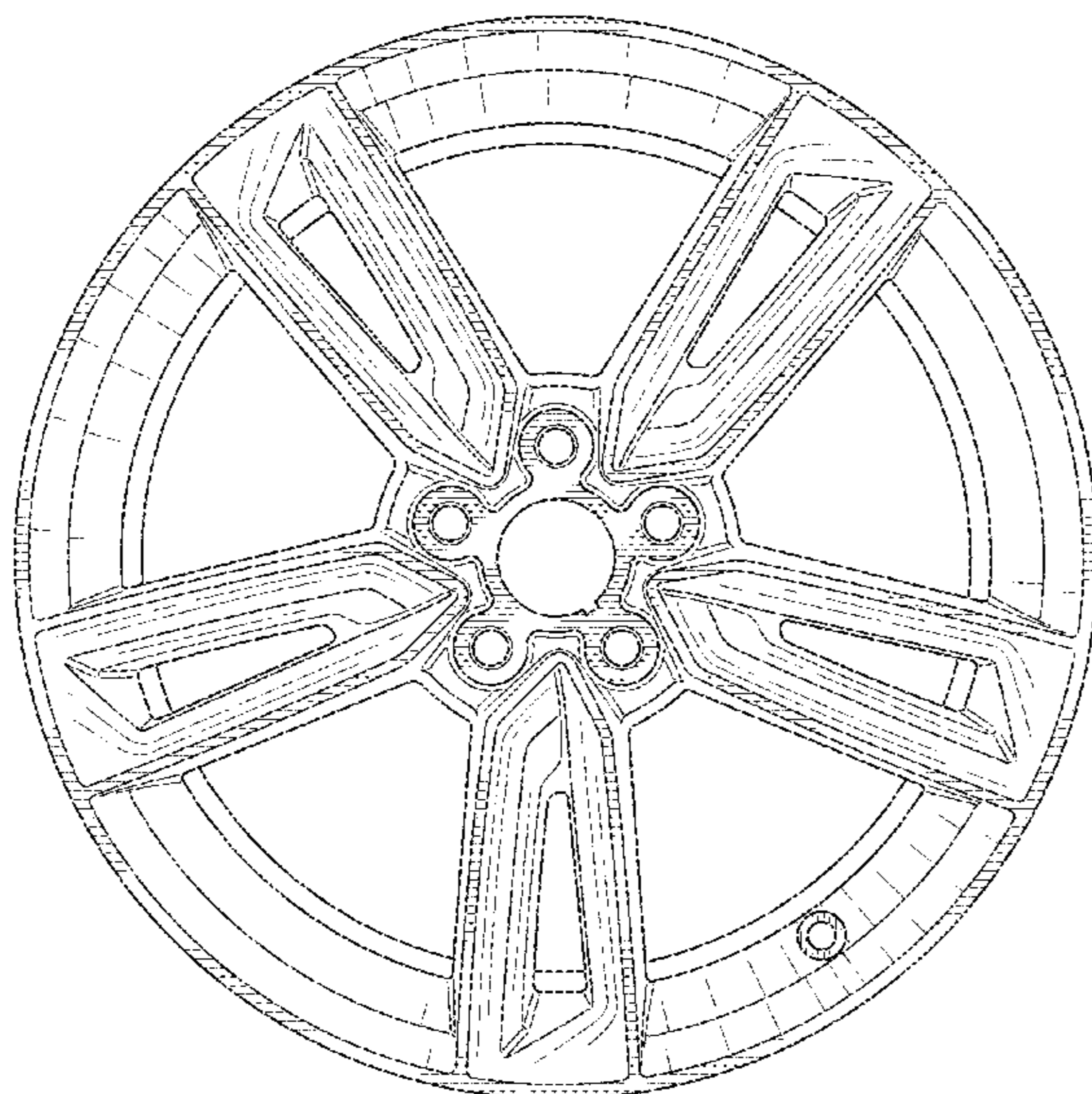
(57) **CLAIM**

The ornamental design for a vehicle wheel rim, as shown and described.

DESCRIPTION

FIG. 1 is a front view of the vehicle wheel rim of the present invention; and,
FIG. 2 is a front, side perspective view thereof.

1 Claim, 2 Drawing Sheets



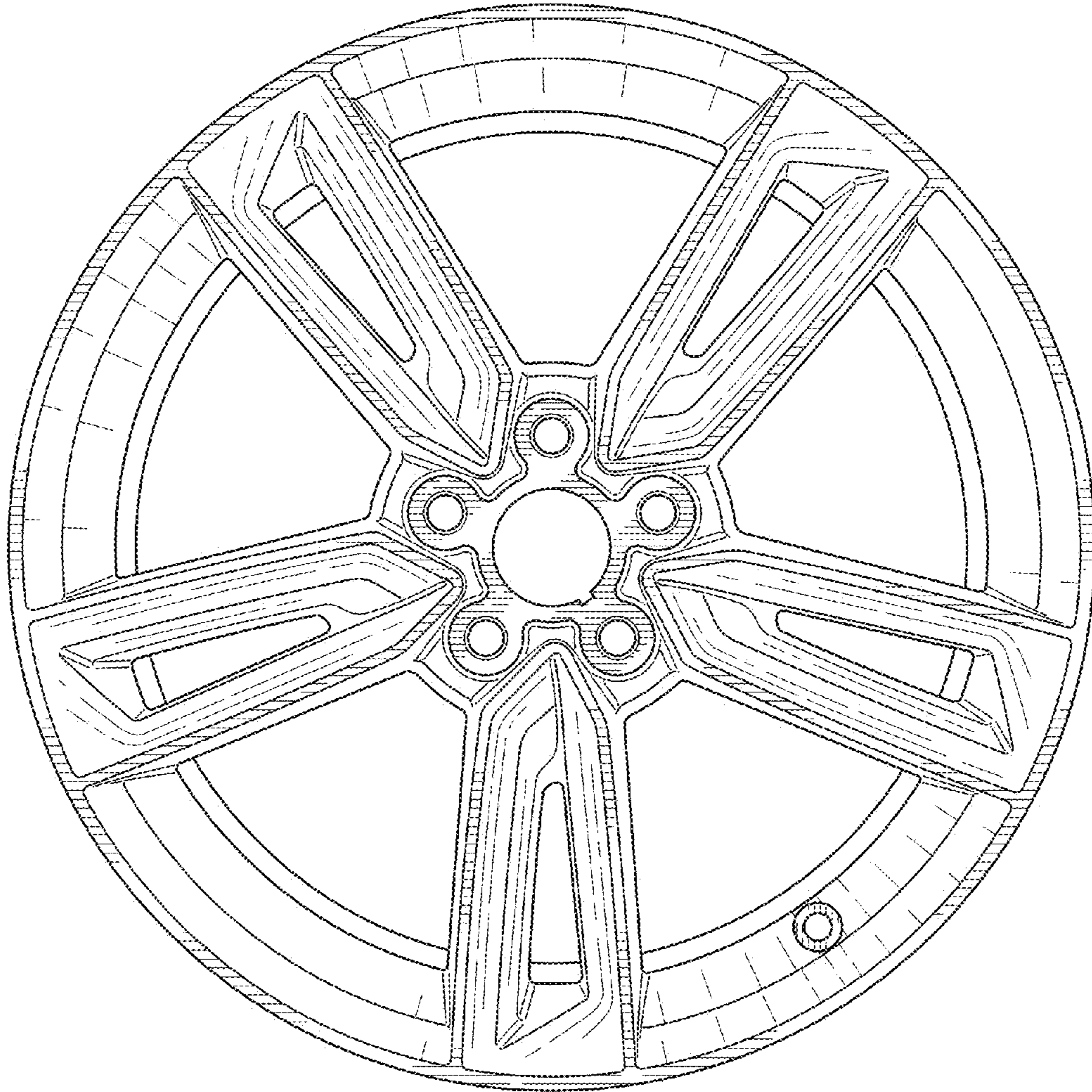


FIG. 1

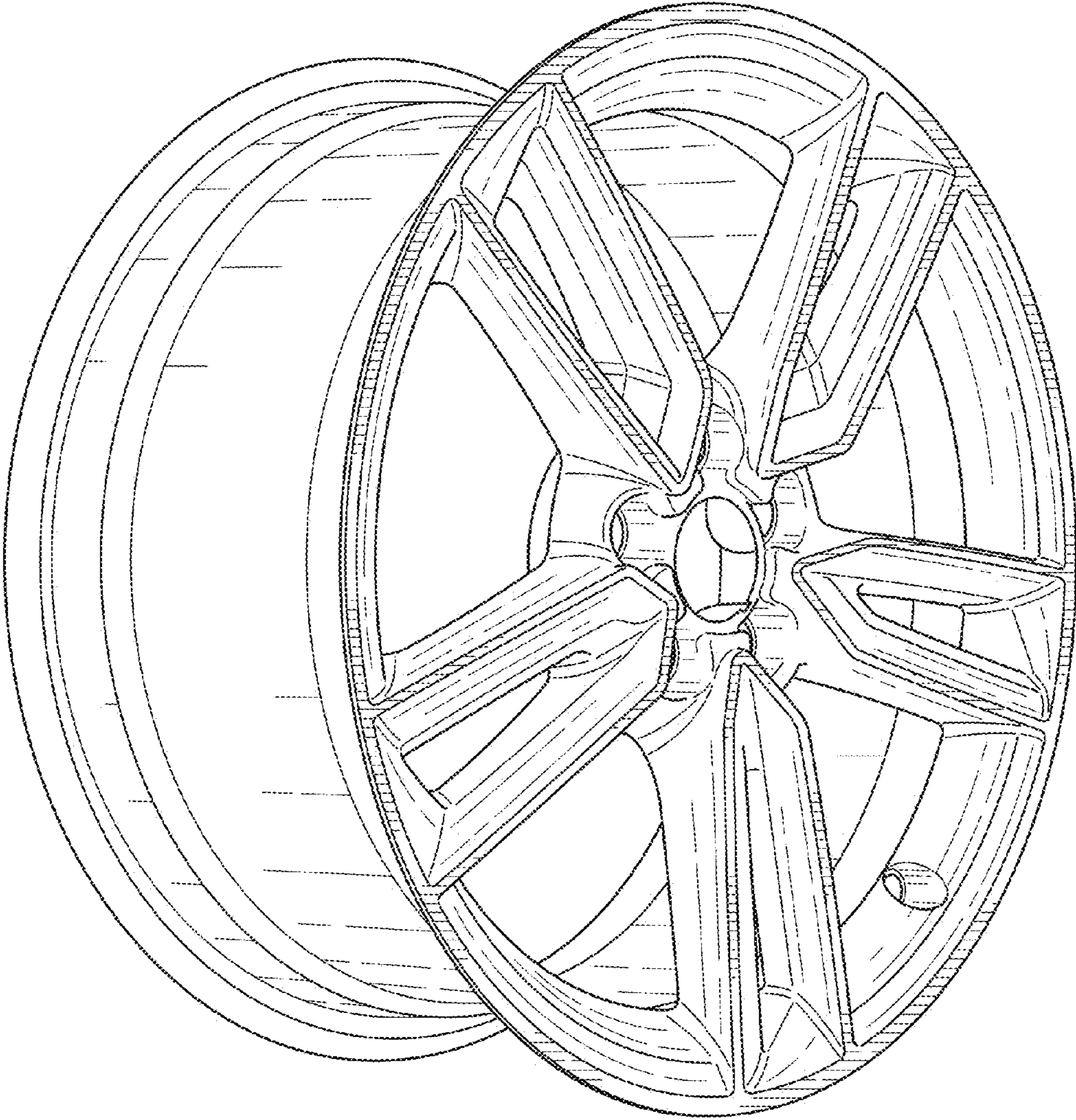


FIG. 2